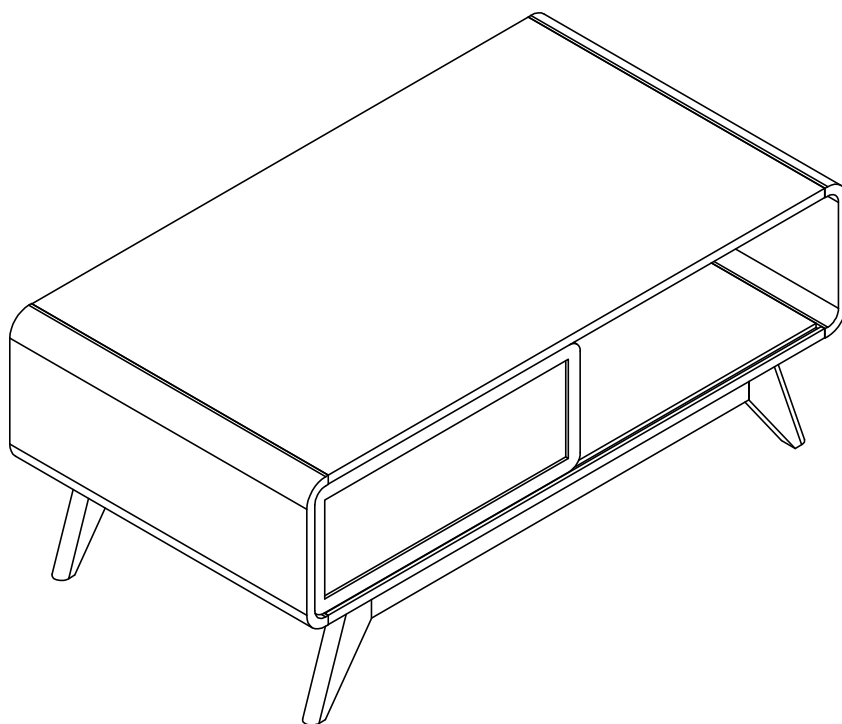


Installation Instruction



Assembling

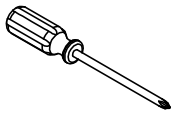
Estimated time for assembly



45 : 00

What you need

- Use the packaging carton as a working surface to prevent product damage during assembly
- Phillips head screwdriver



Weight Limitation



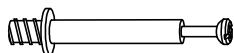
100 | **35**
lbs table top lbs per

What' included

Code	Description	Qty
A	Cam Bolt M6X35MM	41
B	Cam Lock 15X10MM	41
C	Wooden Dowel M8X30MM	18
D	Screw M4X40MM	7
E	Anti-collision particle	4
F	MATS	4
G	Sliding wheel	4
H	Screw M3.5X14MM	8
I	Circular hole Decals	15

The Hardwares

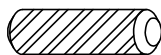
(A)



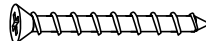
(B)



(C)



(D)



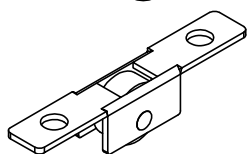
(E)



(F)



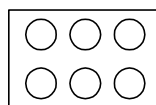
(G)



(H)



(I)



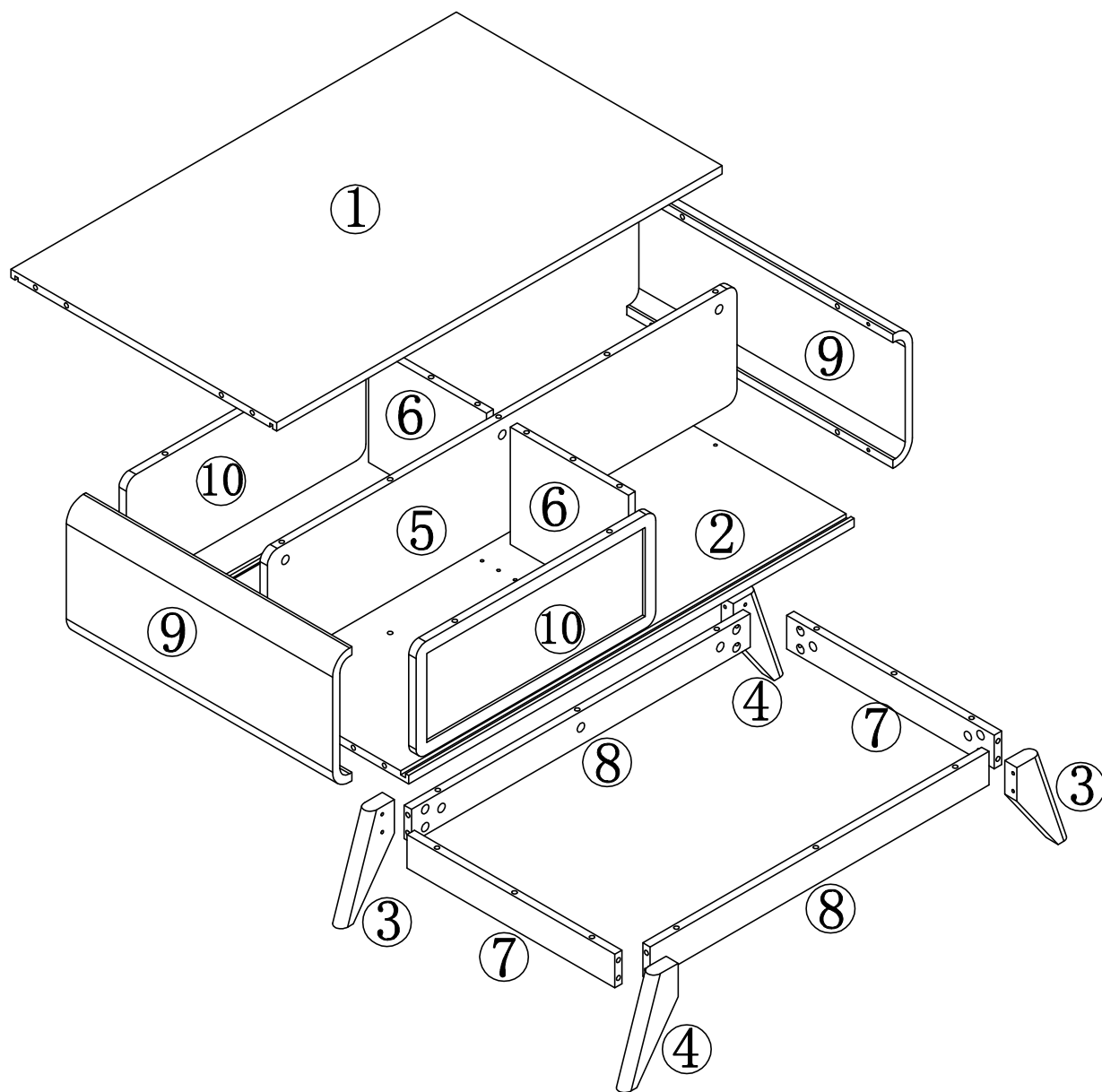
IMPORTANT:

1. Do not tighten bolts / screws completely until all bolts / screws are lined up and inserted into holes.
2. Do not over tighten screws and bolts to avoid stripping
3. Please use hand tools to assemble this product. Do not use power tools.

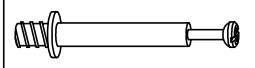
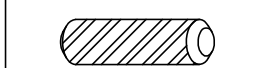
Included Accessories

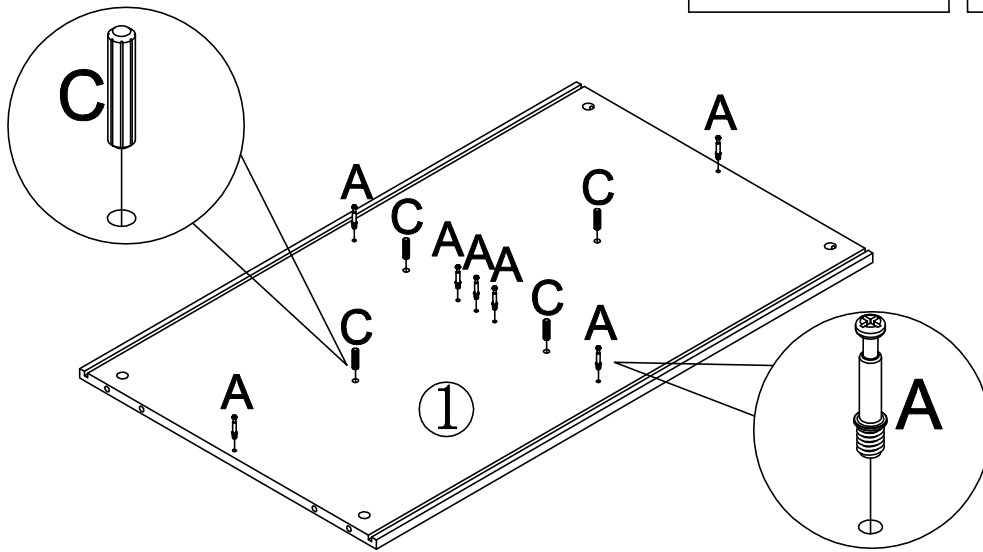
Code	Description	Qty
1	Cabinet Top	1
2	Bottom Panel	1
3	Solid wood foot	2
4	Solid wood foot	2
5	Intermediate transverse plate	1
6	Median septum	2
7	Left and right vertical plate	2
8	Vertical front and rear plate	2
9	Lateral plate	2
10	Door leaf	2

The Accessoriss

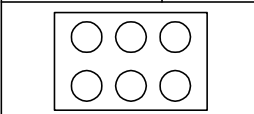
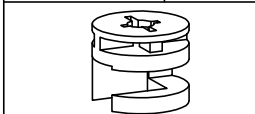
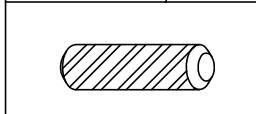


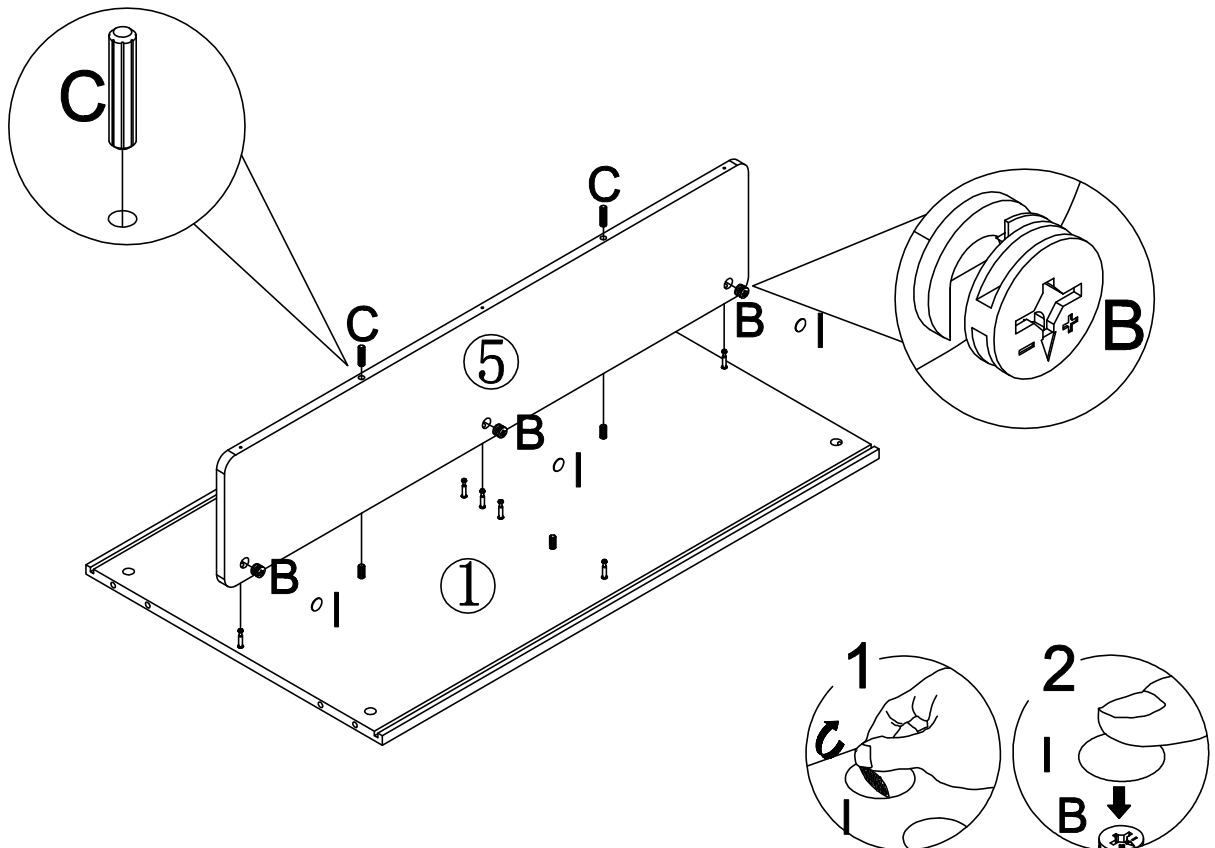
Step 1

A	X7	C	X4
			

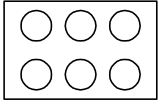

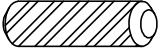


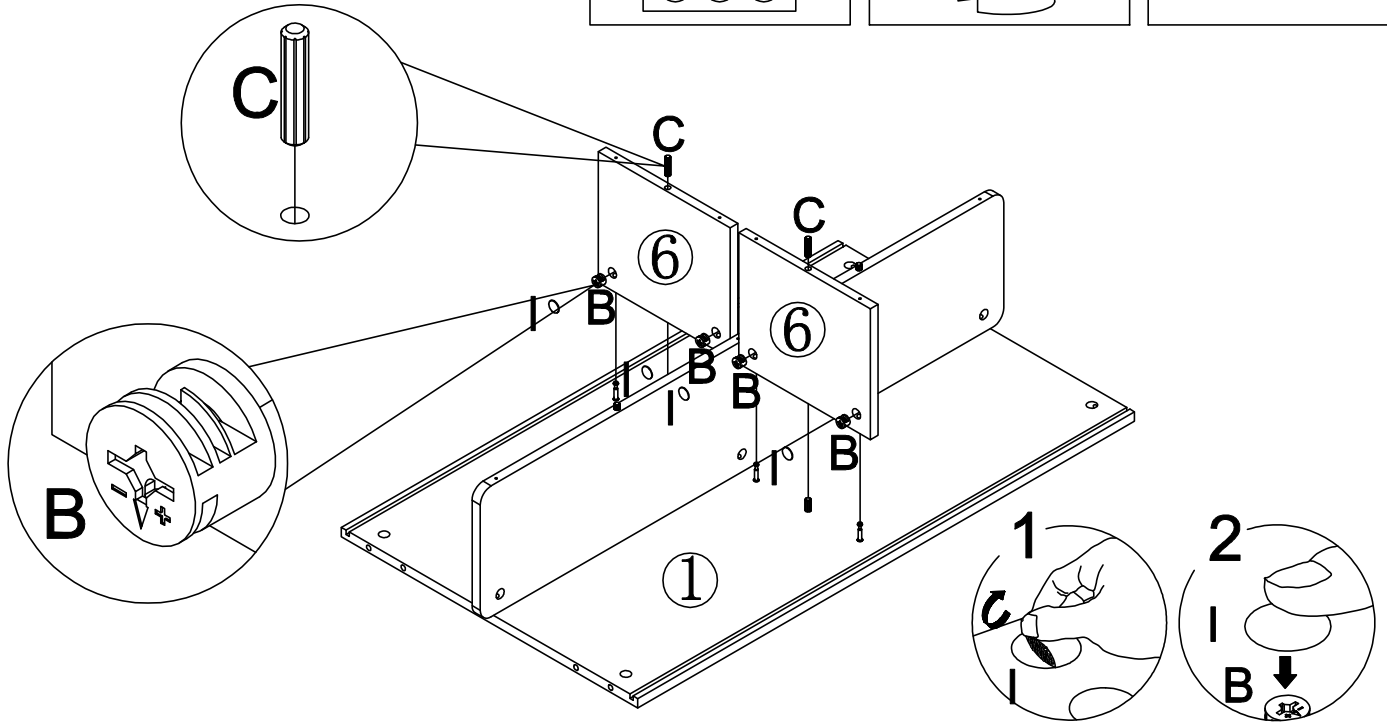
Step 2

I	X3	B	X3	C	X2
					

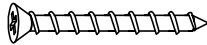


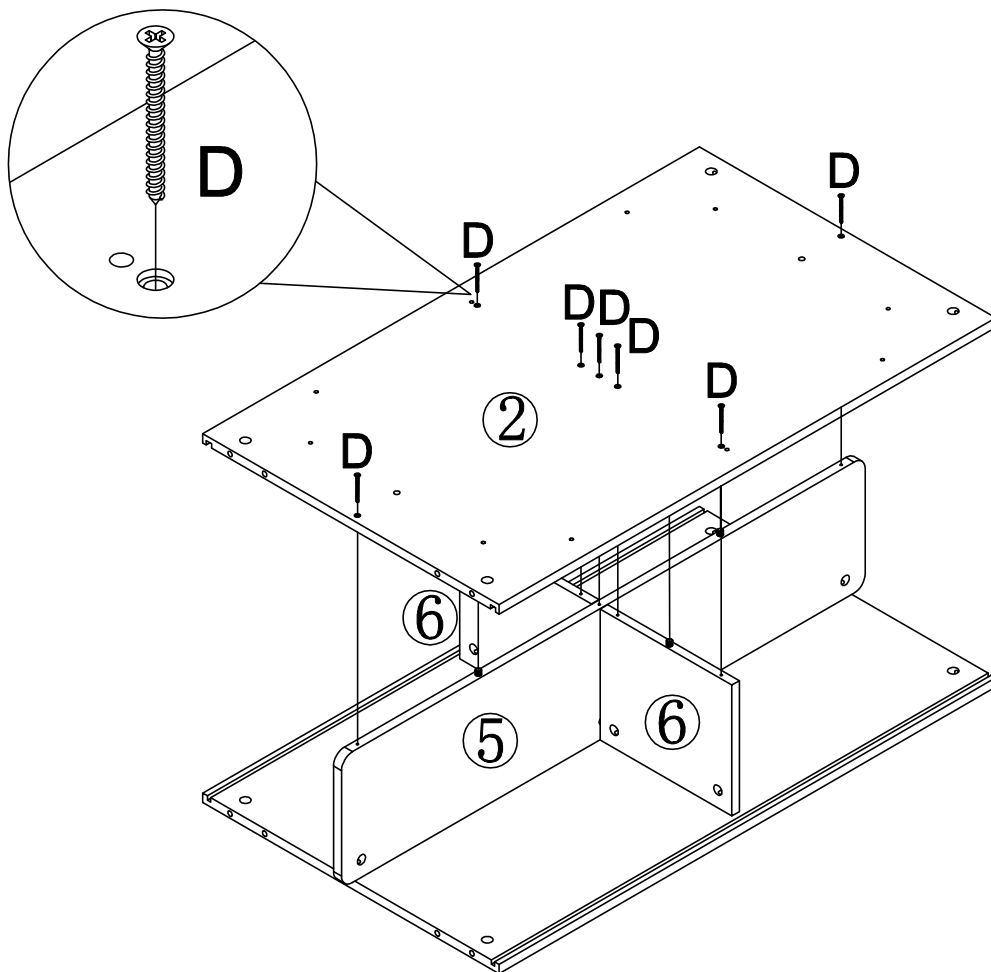
Step 3

I	X4	B	X4	C	X2
					

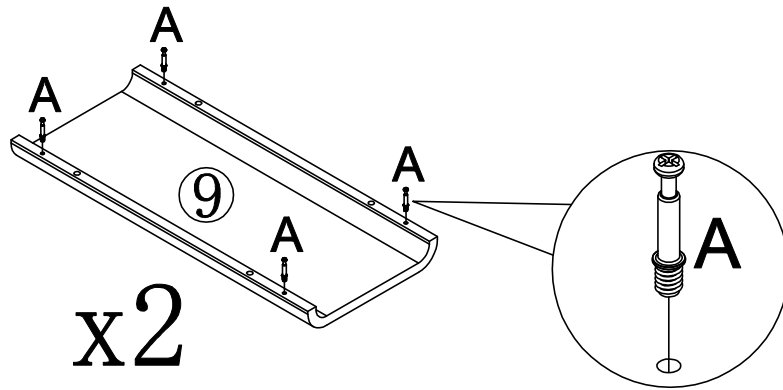
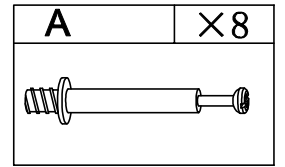


Step 4

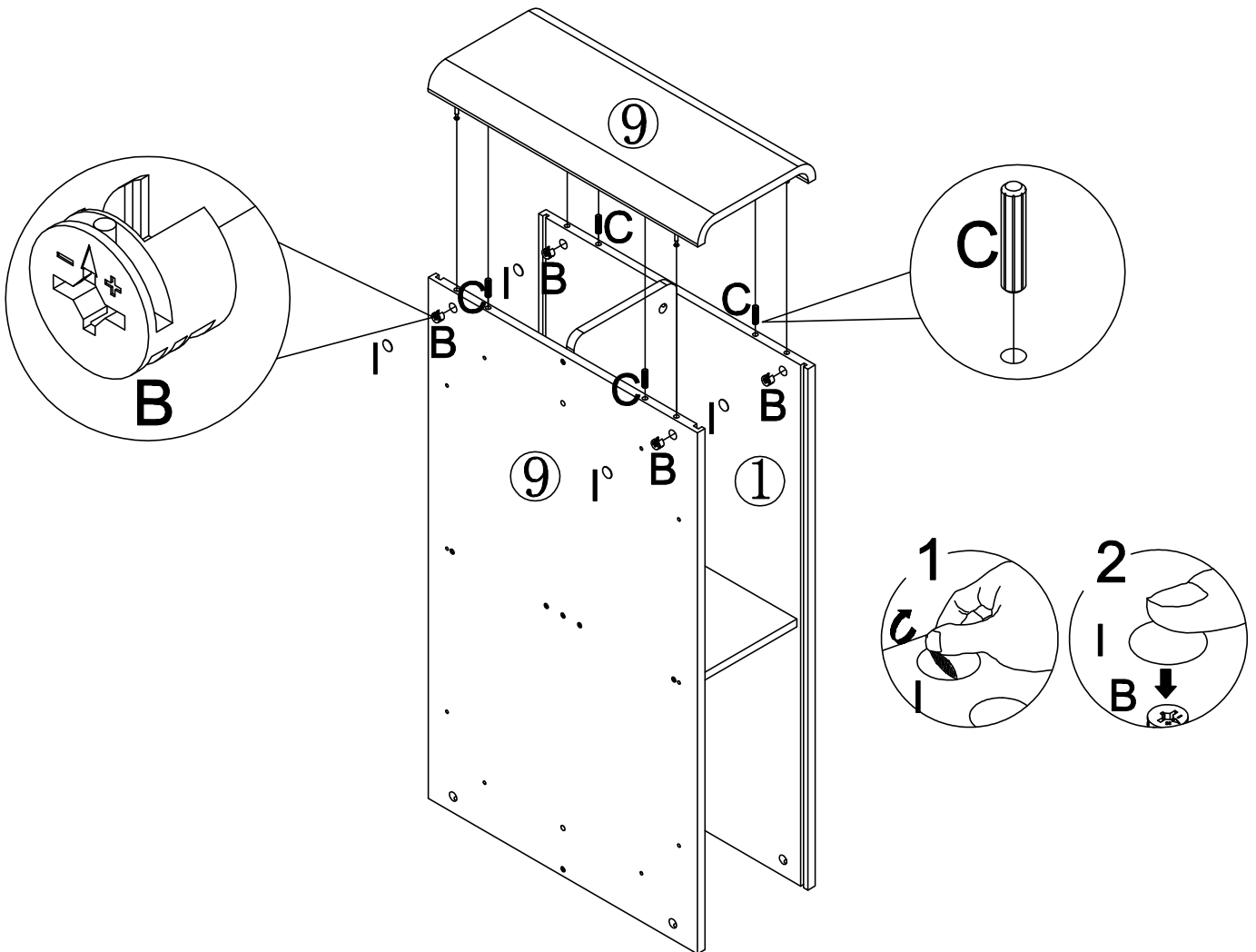
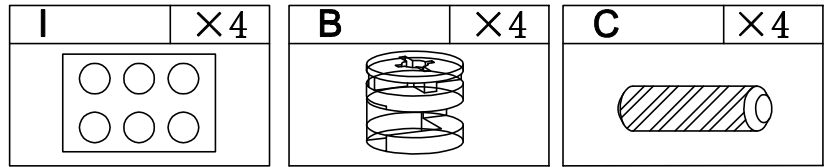
D	X7
	



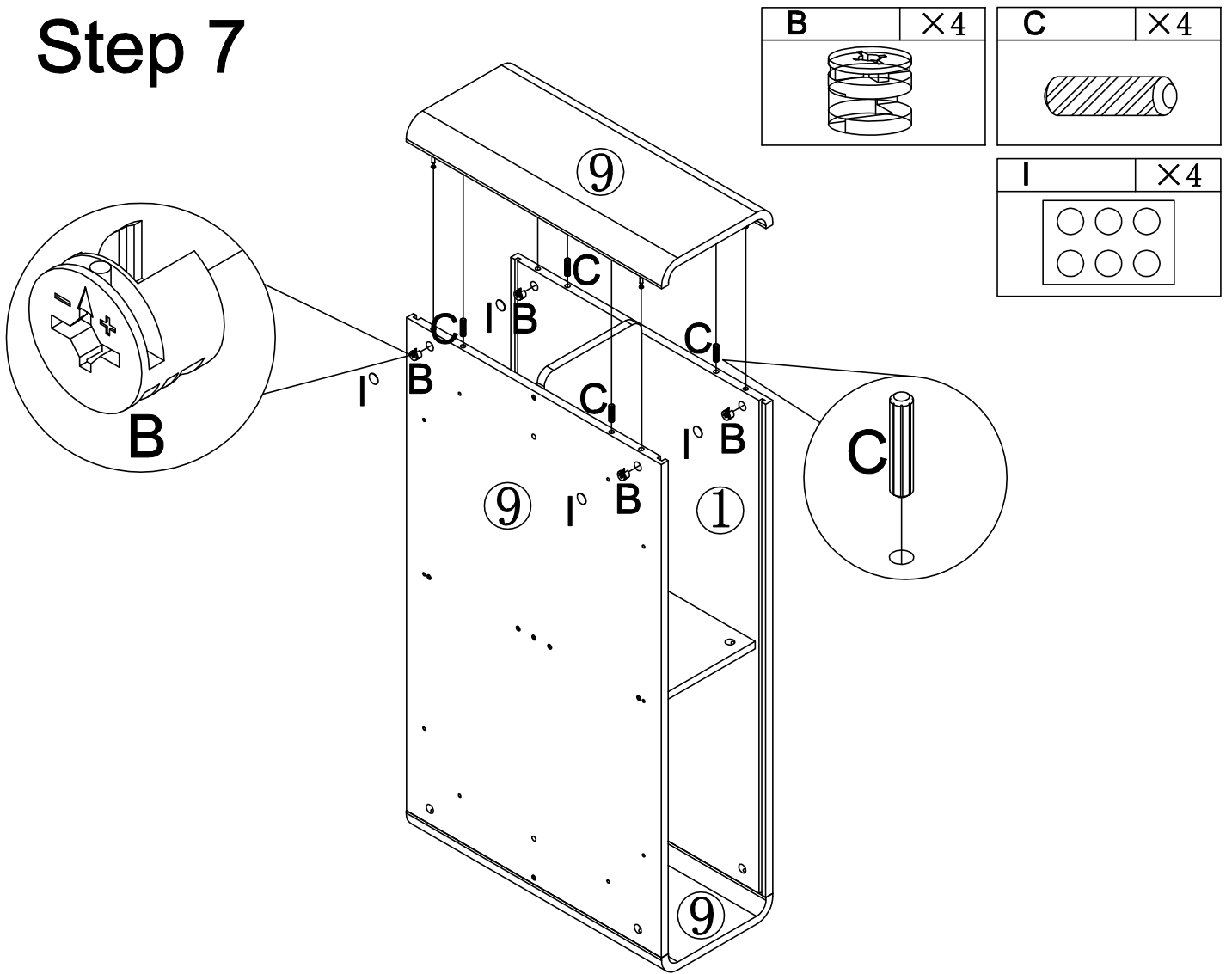
Step 5



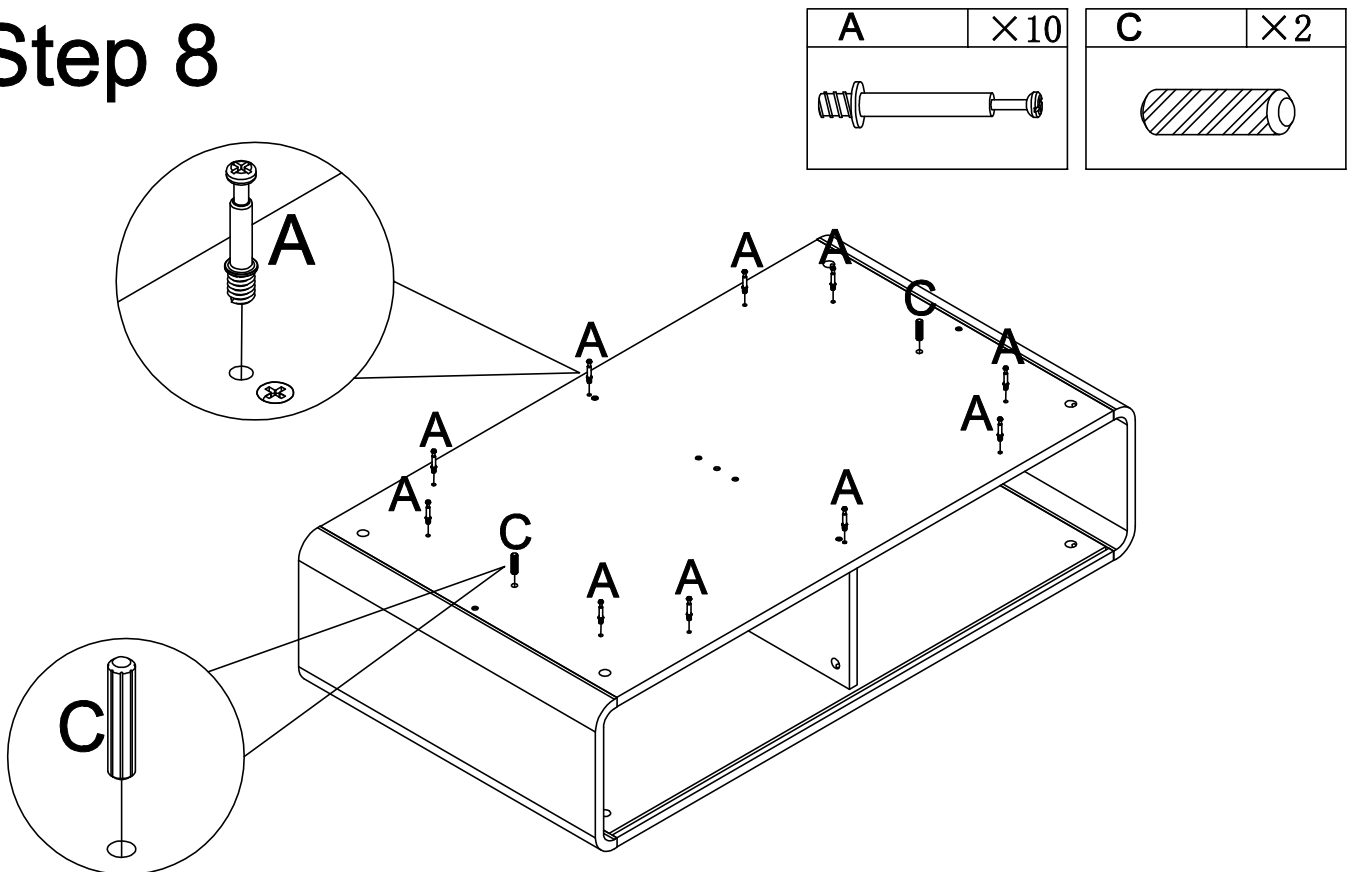
Step 6



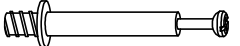
Step 7

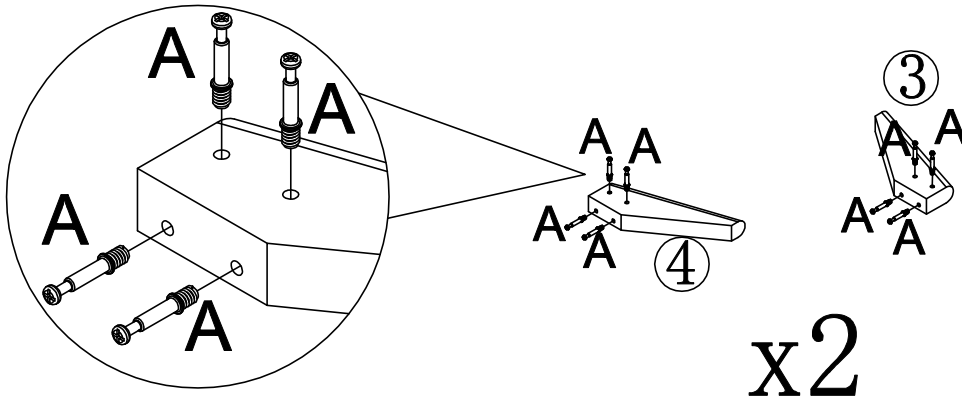


Step 8




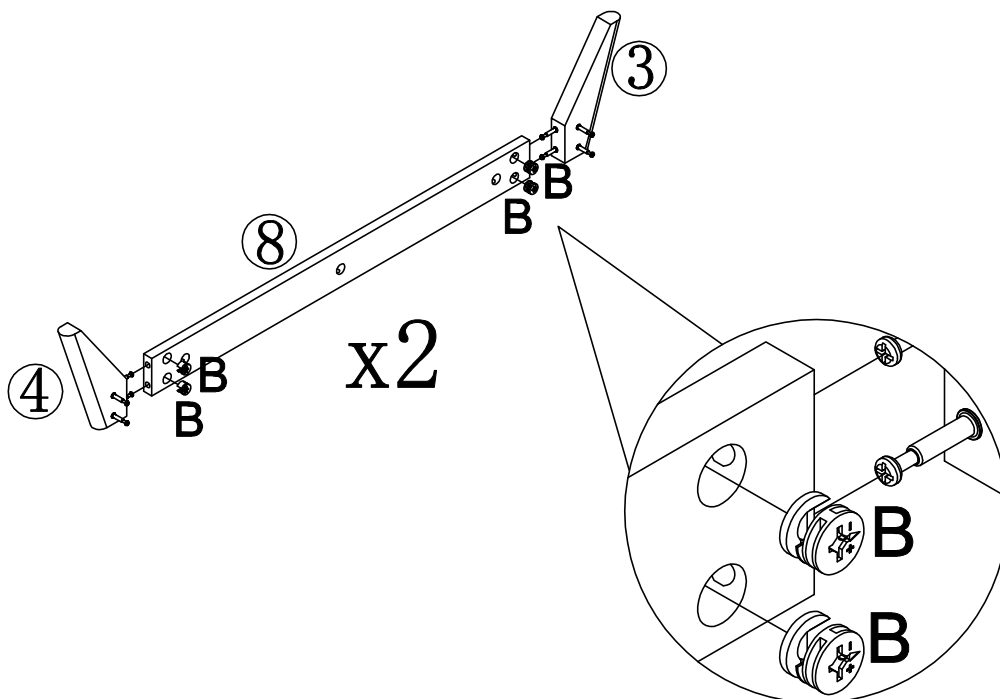
Step 9

A	×16
	

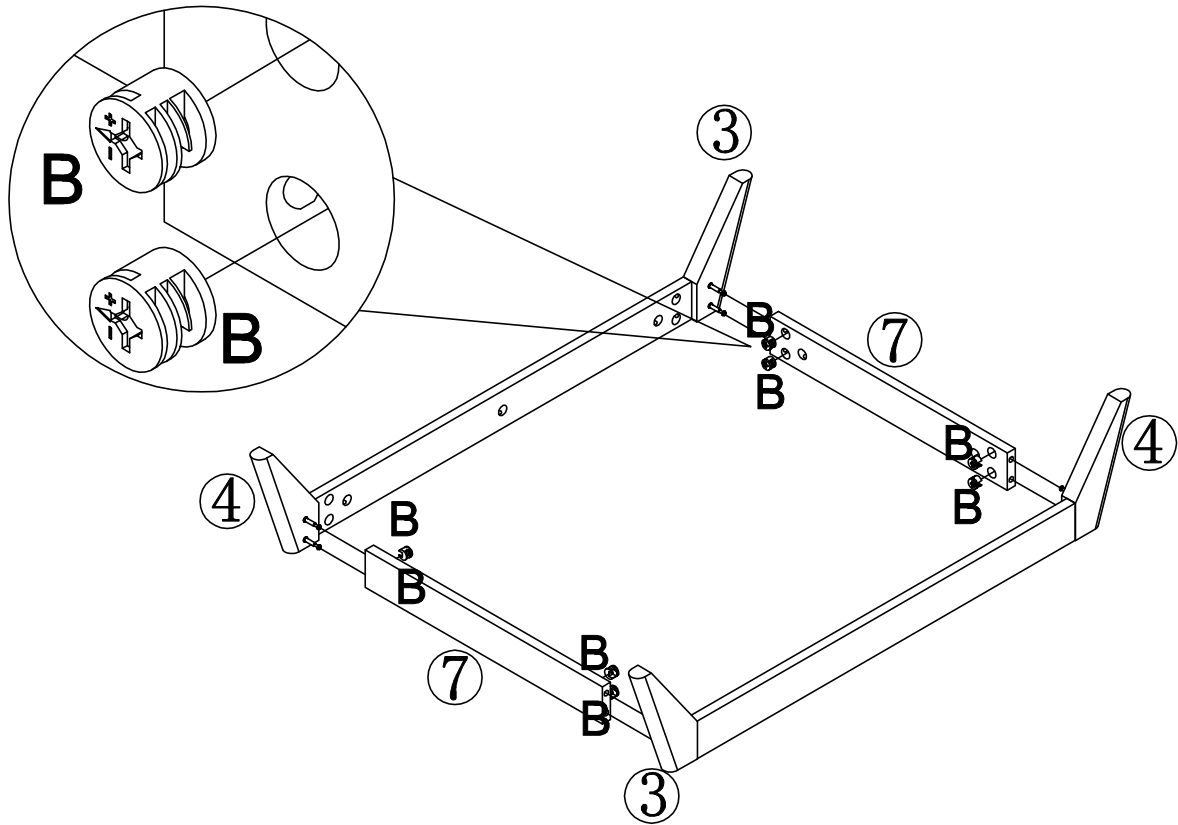
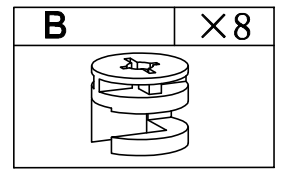


Step 10

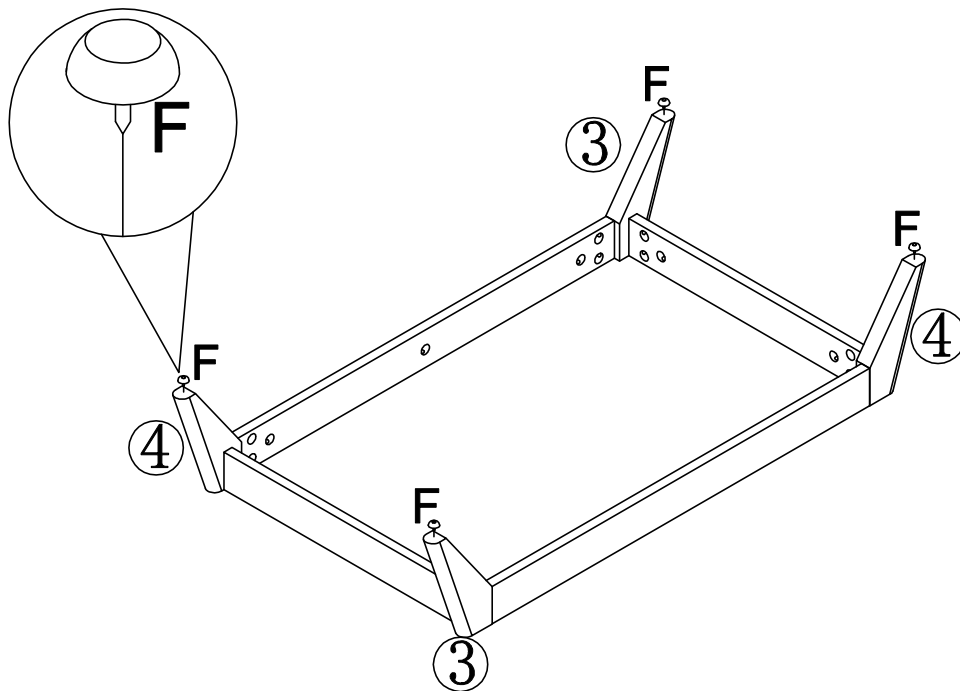
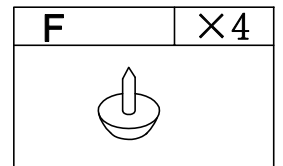
B	×8
	




Step 11

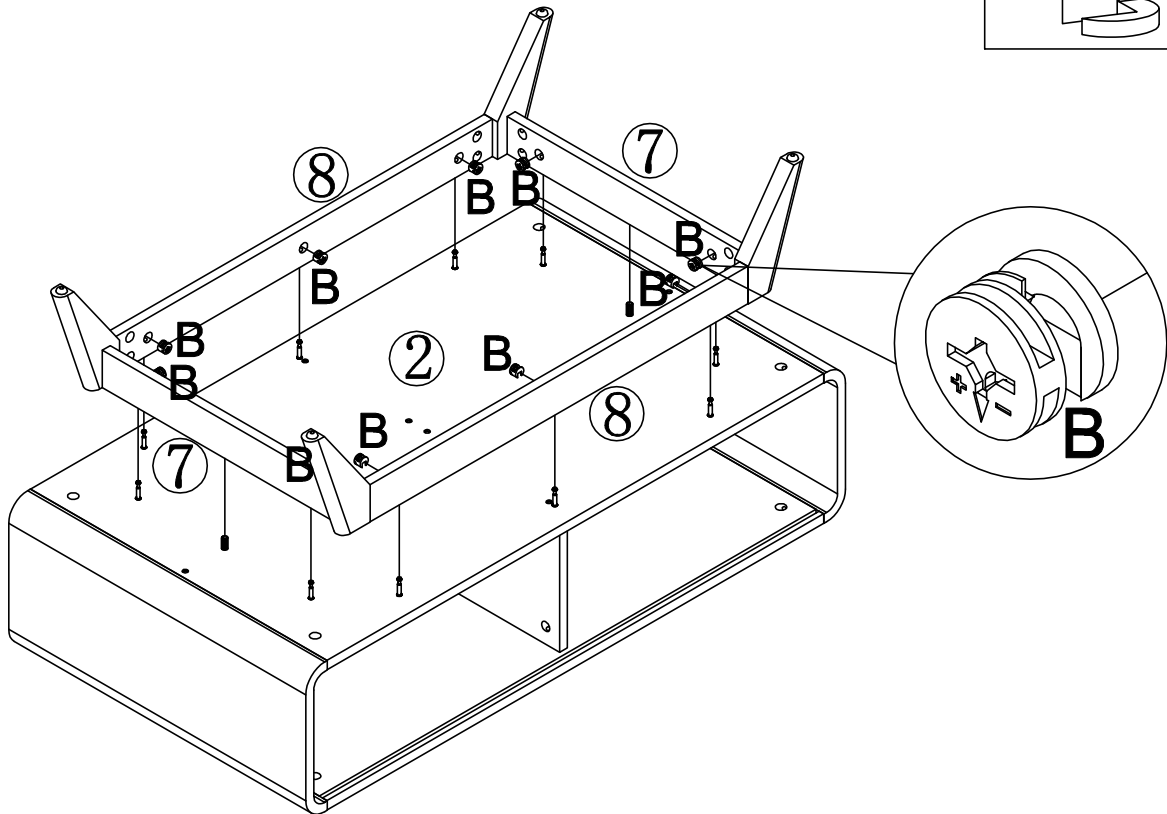


Step 12

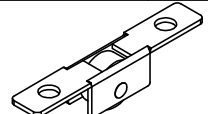
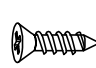


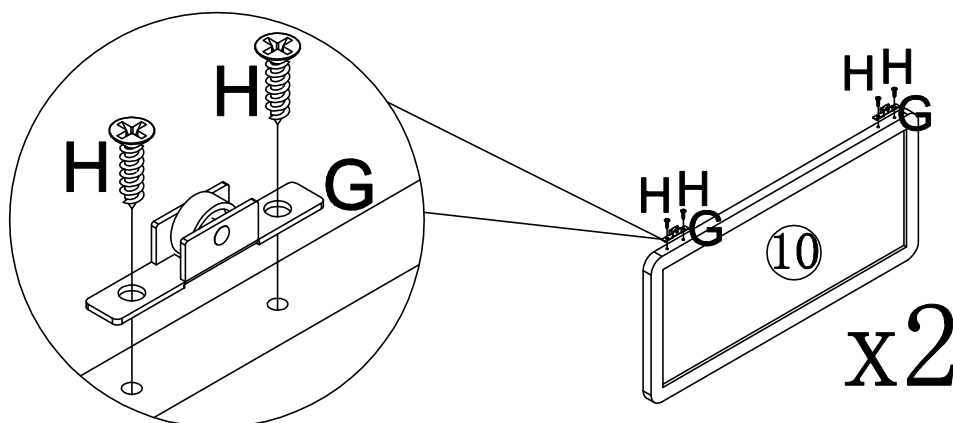
Step 13

B	X10
	

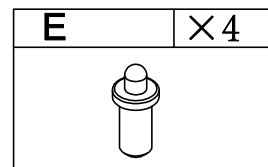
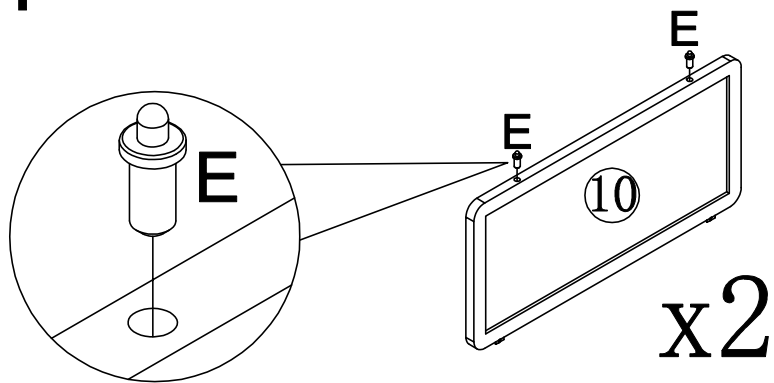


Step 14

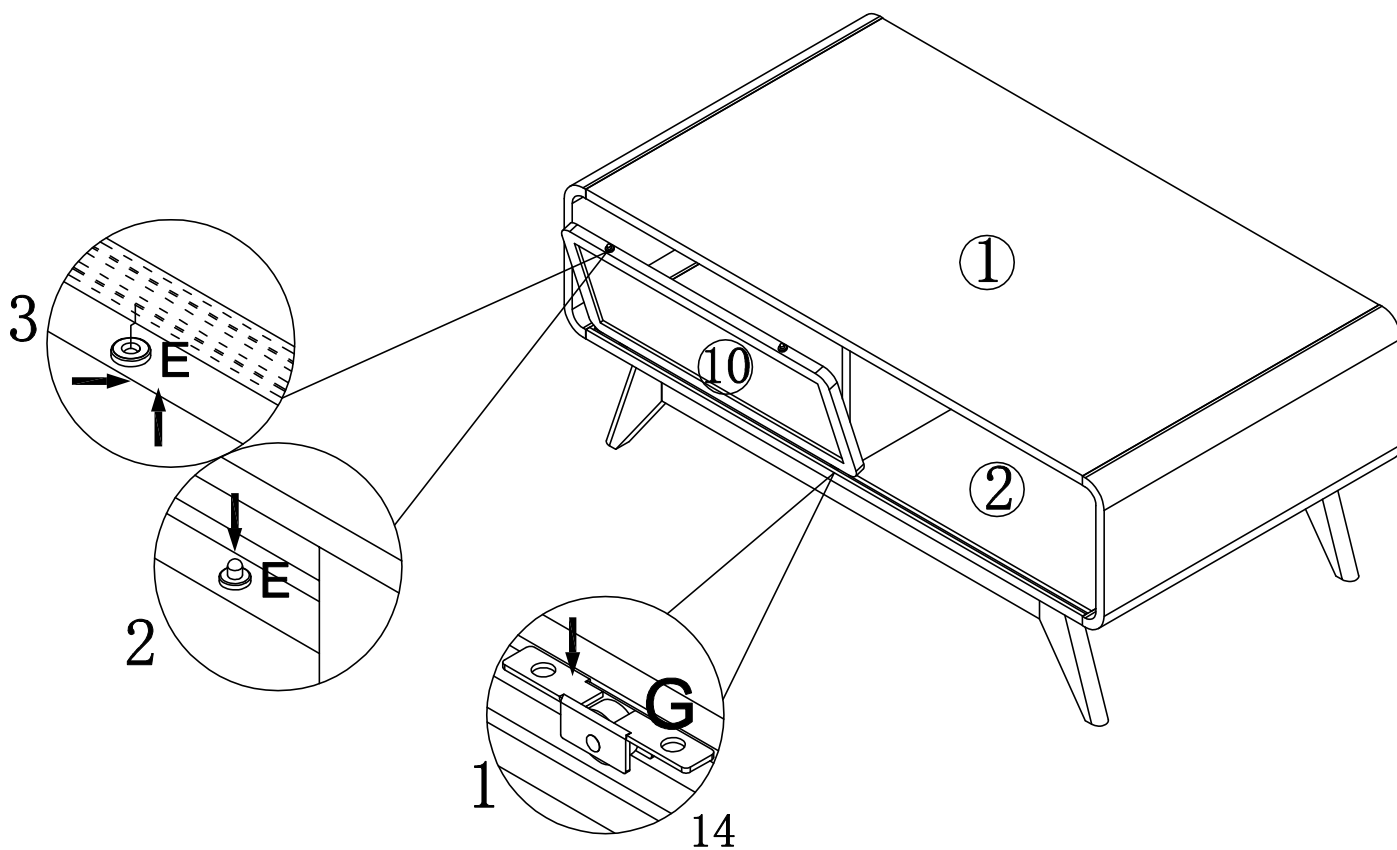
G	X4	H	X8
			



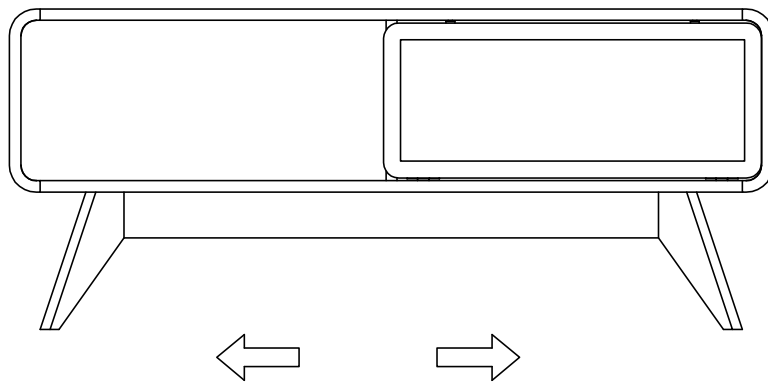
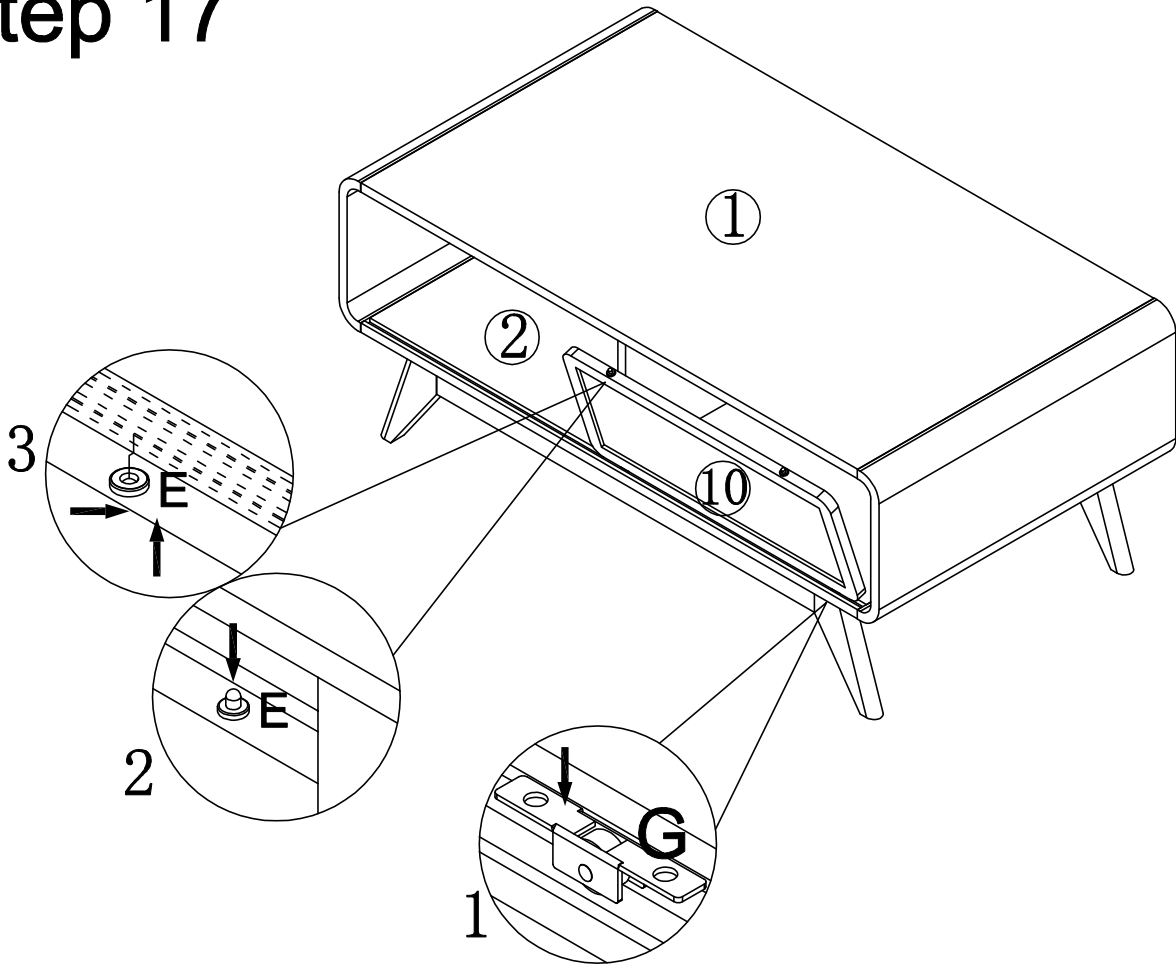
Step 15



Step 16



Step 17



Two people work together to move the cabinet.
Make sure you lift it off the ground.
Don't push and pull.