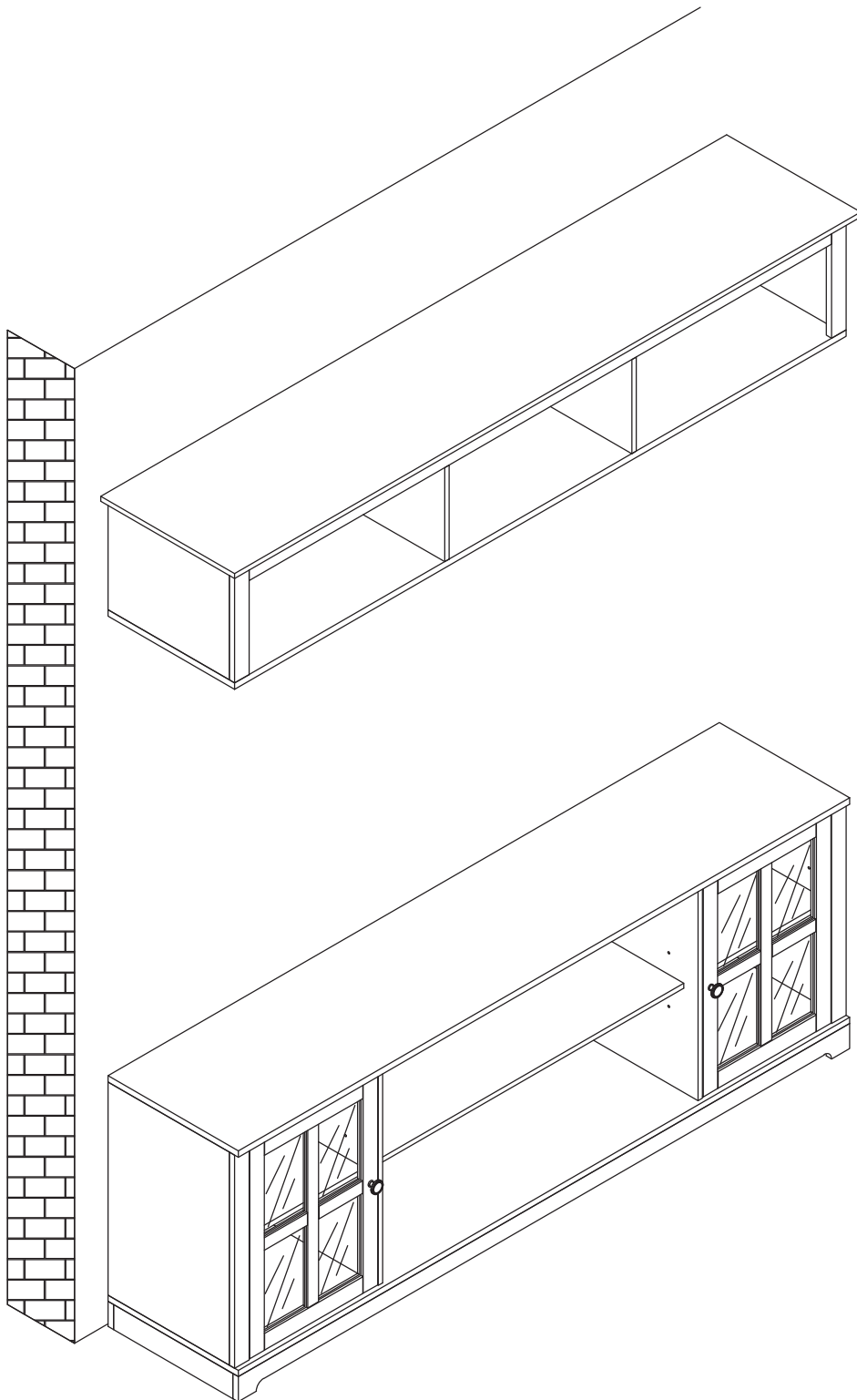
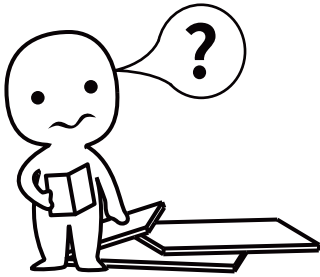


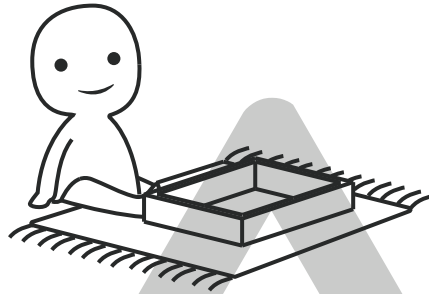
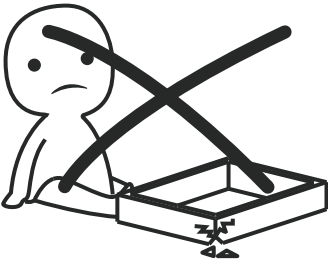
Cupboard





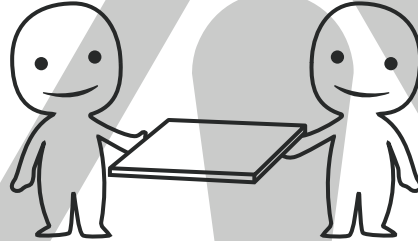
IMPORTANT INFORMATION!

please read the entire manual before starting to assemble and/or using this product. follow the manual thoroughly and keep it for further reference.



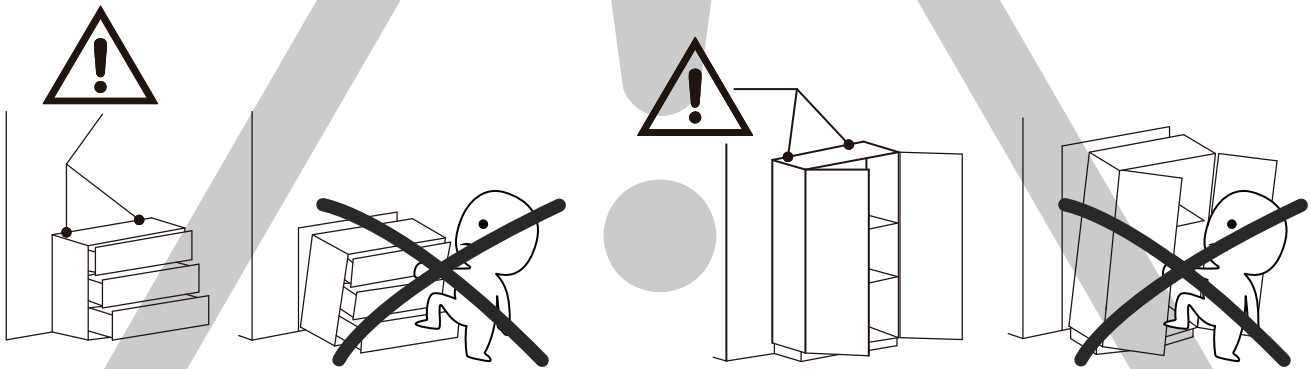
AVOID SCRATCHES!

In order to avoid scratching this furniture should be assembled on a soft layer- could be a rug.



IMPROVE EFFICIENCY !

Try to find a partner to install with you, which can speed up the installation efficiency and shorten the time.



ANTI-TOPPLE WARNING !

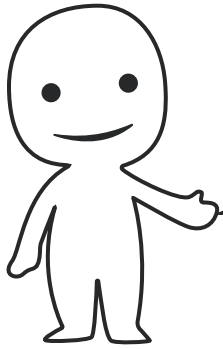
Overtured furniture can cause serious or fatal crush injuries. To prevent tipping over, be sure to use the wall attachment, if not included with this product. Please purchase the wall attachment that fit your wall. If unsure, seek professional advice. Please read and follow each step of the instructions carefully.

IMPORTANT !

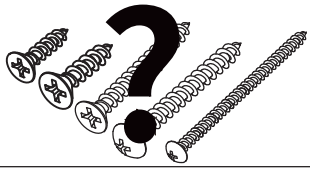
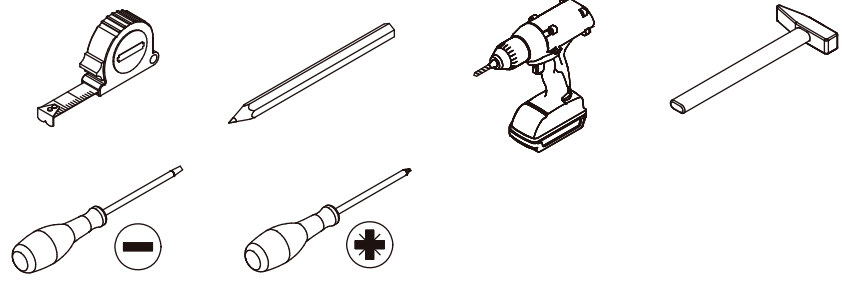
It is important that any product which is assembled using any kind of screw is re-tightened 2 weeks after assembly, and once every 3 months - in order to assure stability through-out the lifespan of the product.

For regular maintenance and cleaning of the product, for the frame, please use a rag dipped in neutral detergent to fully wipe it, and then dry it with a clean rag. For glass materials, wipe with a rag dampened with water glass cleaner, and then dry with a dry rag.

Do not use an electric screwdriver, and do not use too much force when installing, because the board is easy to break.



Please prepare the following tools



When installing, please carefully confirm whether each screw corresponds to the manual, accessories with similar shapes can be distinguished by size

<p>Ax36(+2)</p> <p>Ø6x35mm</p>	<p>Bx36(+2)</p> <p>Ø15x10mm</p>	<p>Cx54(+3)</p> <p>Ø6x30mm</p>	<p>Dx24(+2)</p> <p>Ø4x35mm</p>
<p>Ex4</p>	<p>Fx2</p>	<p>Gx2</p>	<p>Hx36(+2)</p> <p>Ø20mm</p>
<p>Jx12(+1)</p>	<p>Kx18(+1)</p> <p>Ø3x16mm</p>	<p>Lx2</p>	<p>Mx6</p> <p>Ø4x35mm</p>
<p>Nx2</p>	<p>Px8</p>	<p>Ox32(+3)</p> <p>Ø3.5x12mm</p>	<p>Rx3</p> <p>Ø8x40mm</p>

Sx3



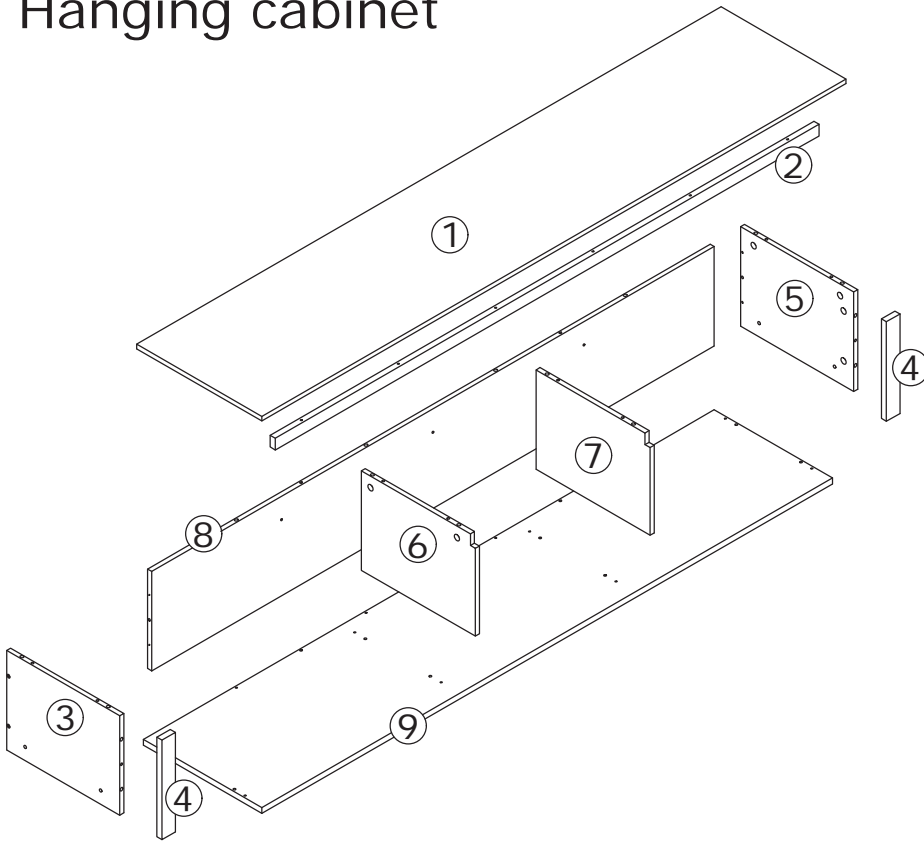
Ø5x60mm

Tx8

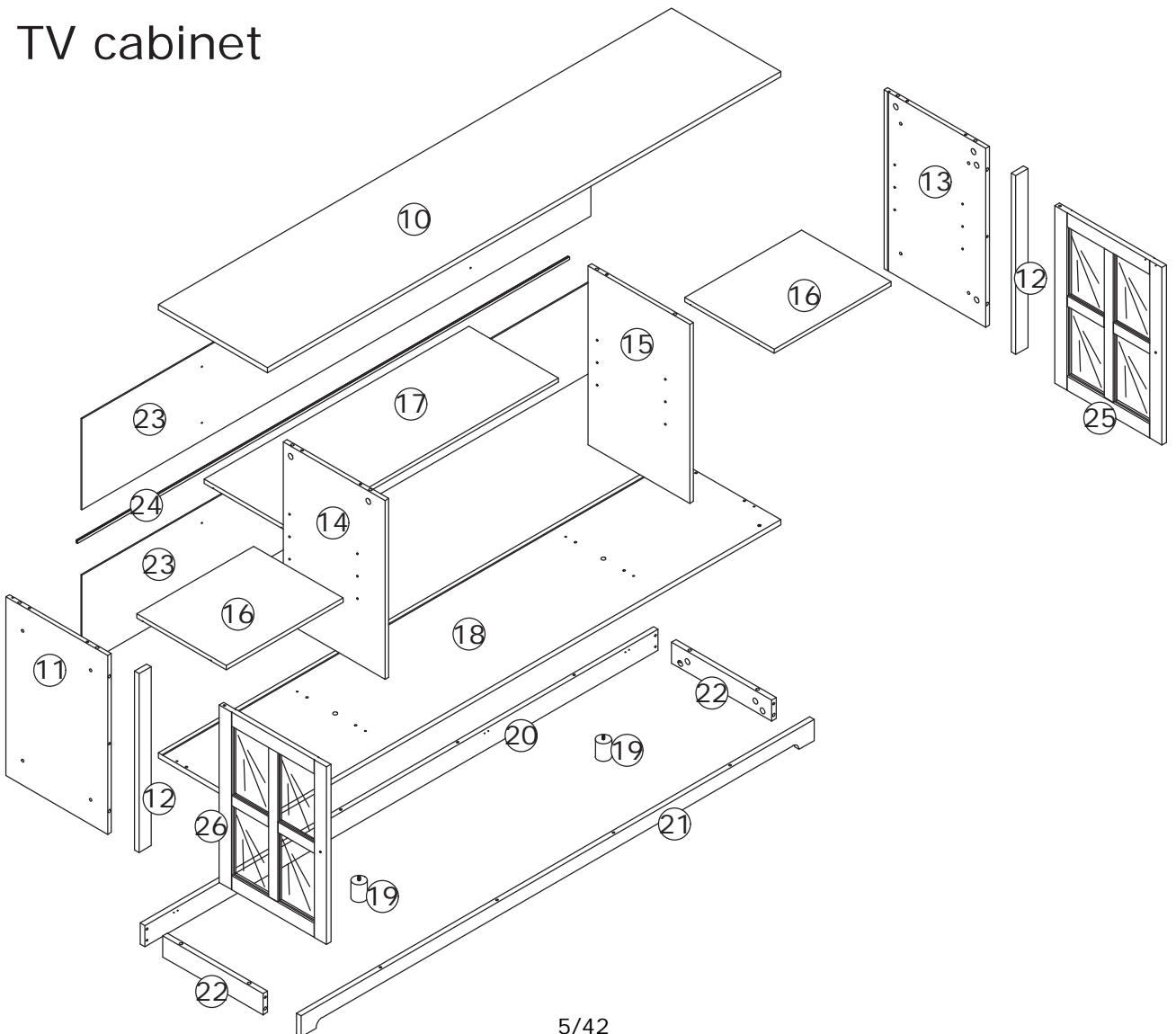


Ø3x15mm

Hanging cabinet



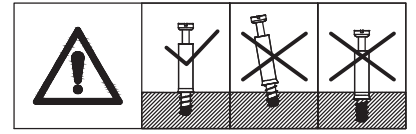
TV cabinet



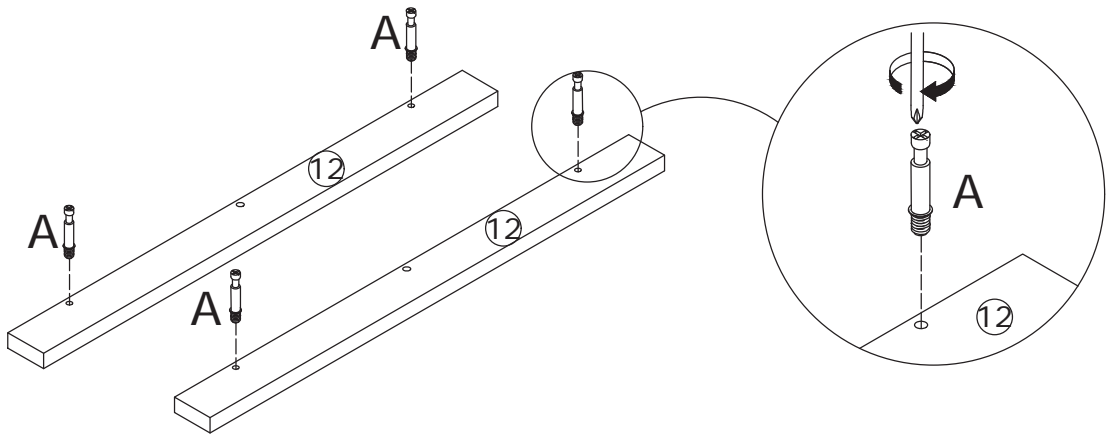
1



TV cabinet



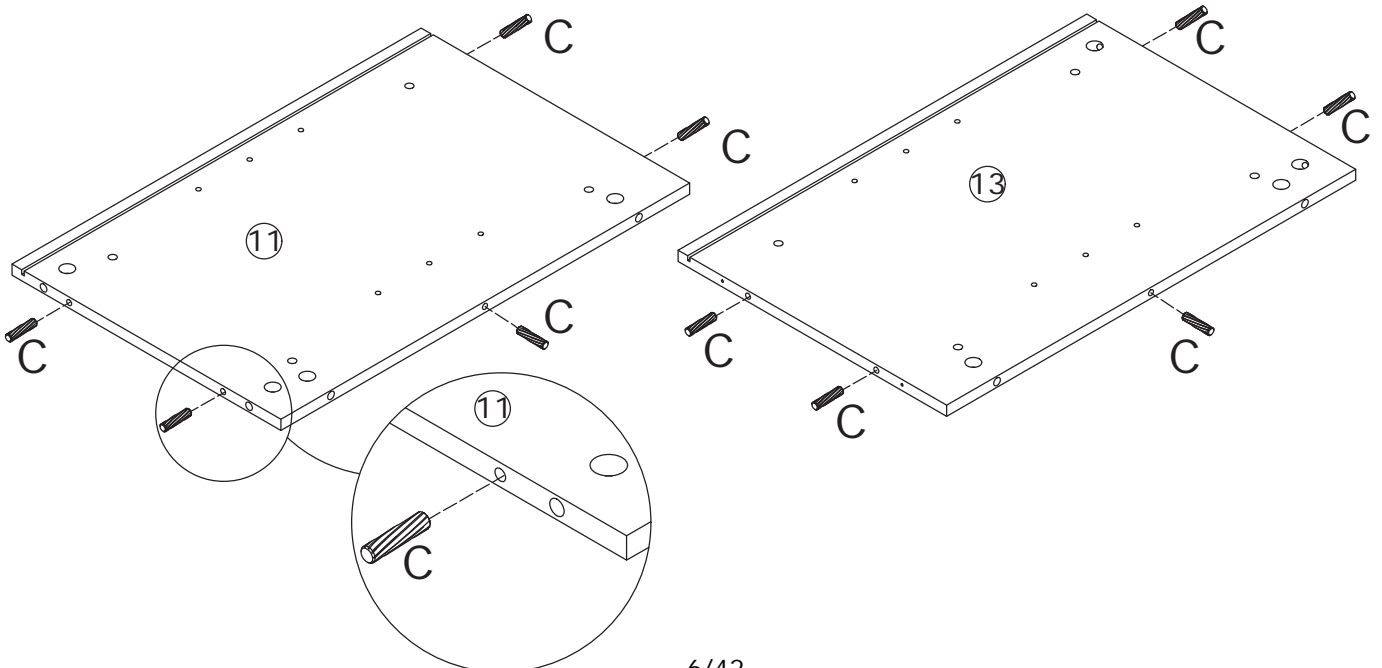
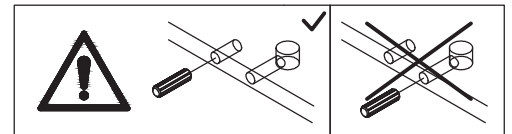
Insert quickfit screw(A) into corresponding holes in two plate 12 with screwdriver as shown.



2



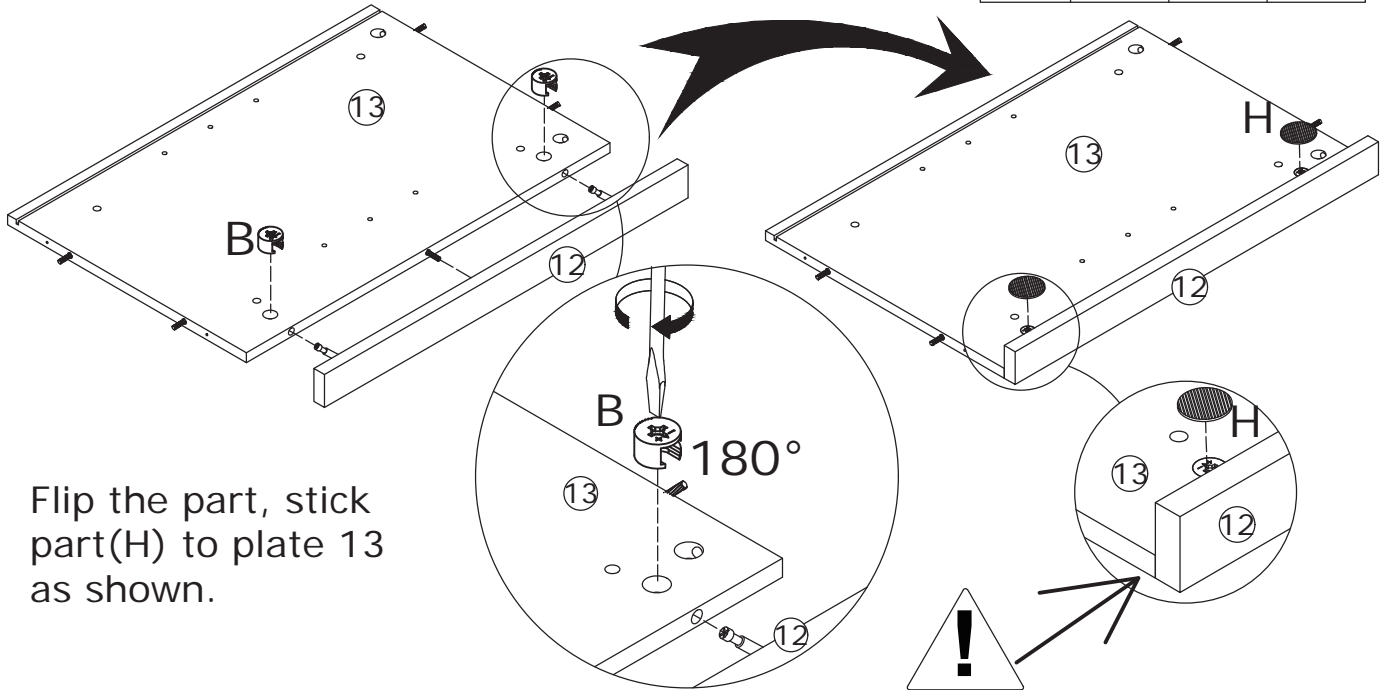
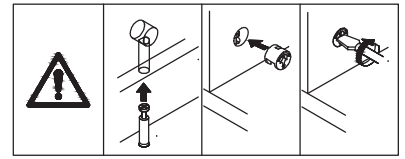
Insert wooden dowel(C) into plate 11 and 13 as shown.



3



Attach plate 12 to plate 13, put cam lock(B) into holes in plate 13 and turn clockwise to tighten as shown.

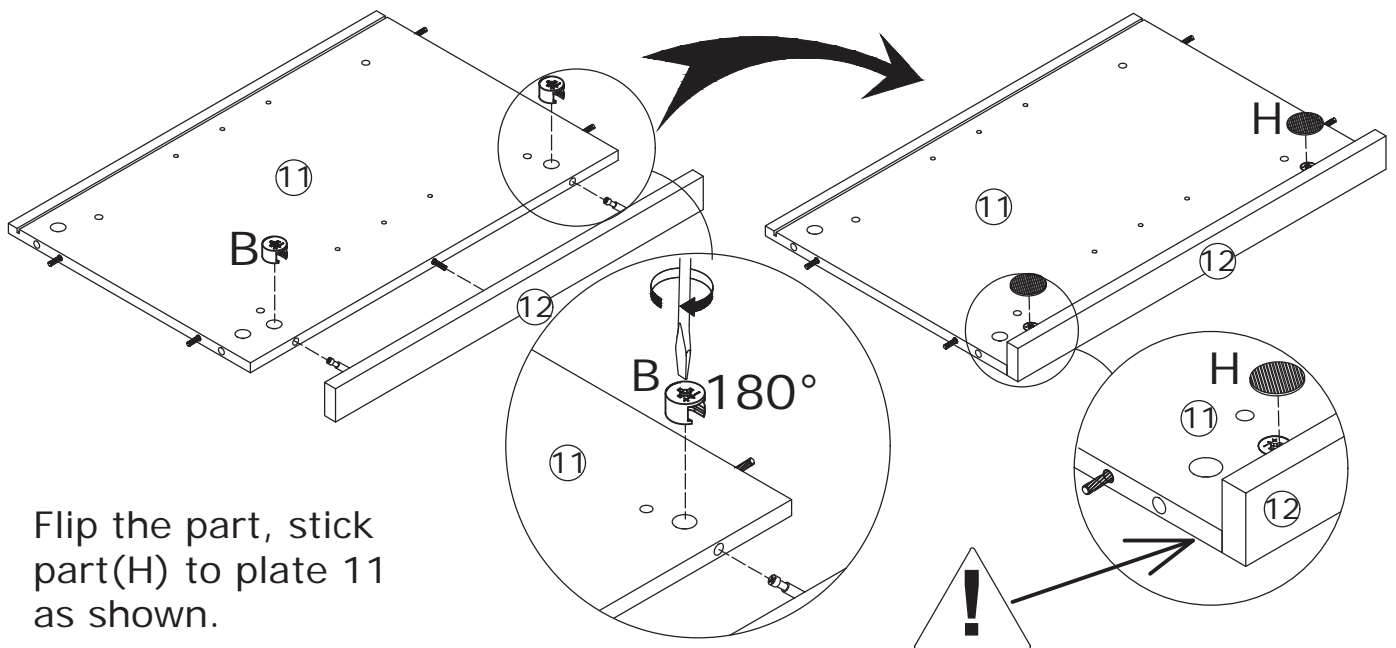
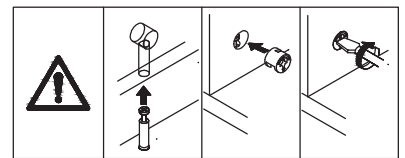


Flip the part, stick part(H) to plate 13 as shown.

4



Attach another plate 12 to plate 11, put cam lock(B) into holes in plate 11 and turn clockwise to tighten as shown.

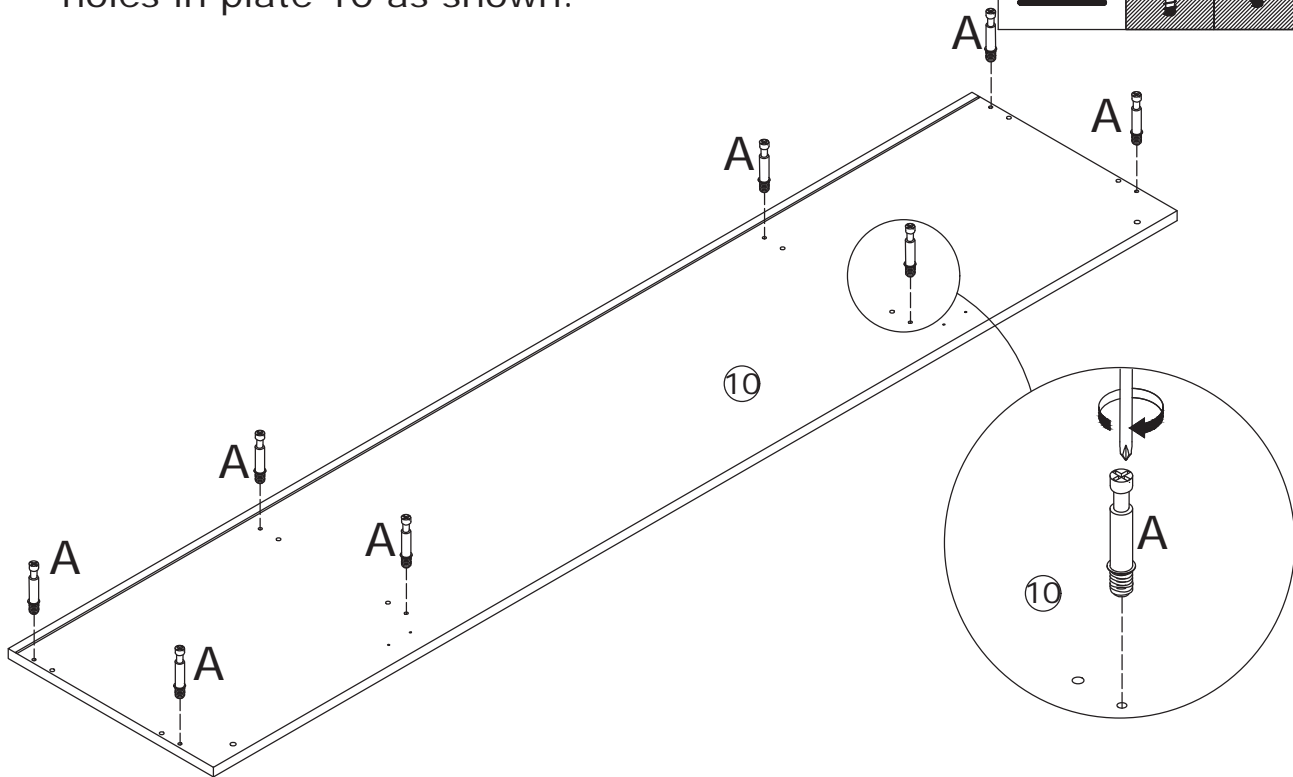
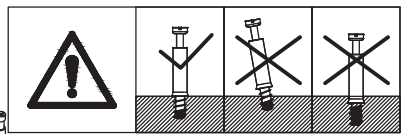


Flip the part, stick part(H) to plate 11 as shown.

5



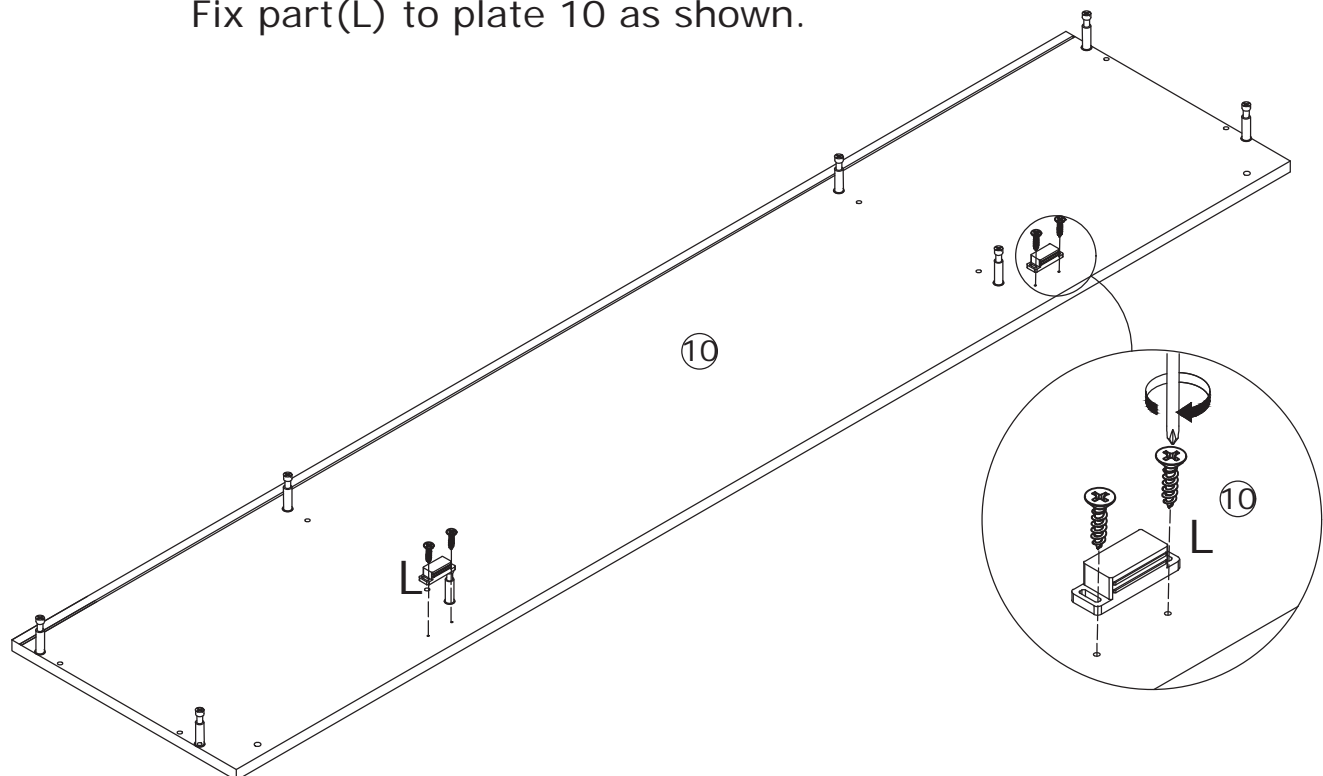
Insert quickfit screw(A) into corresponding holes in plate 10 as shown.



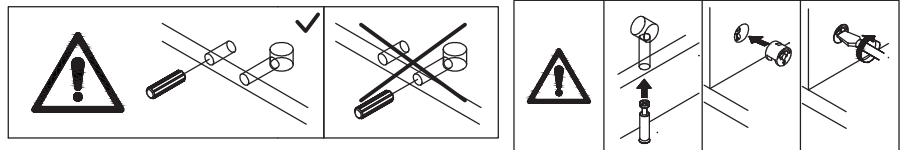
6



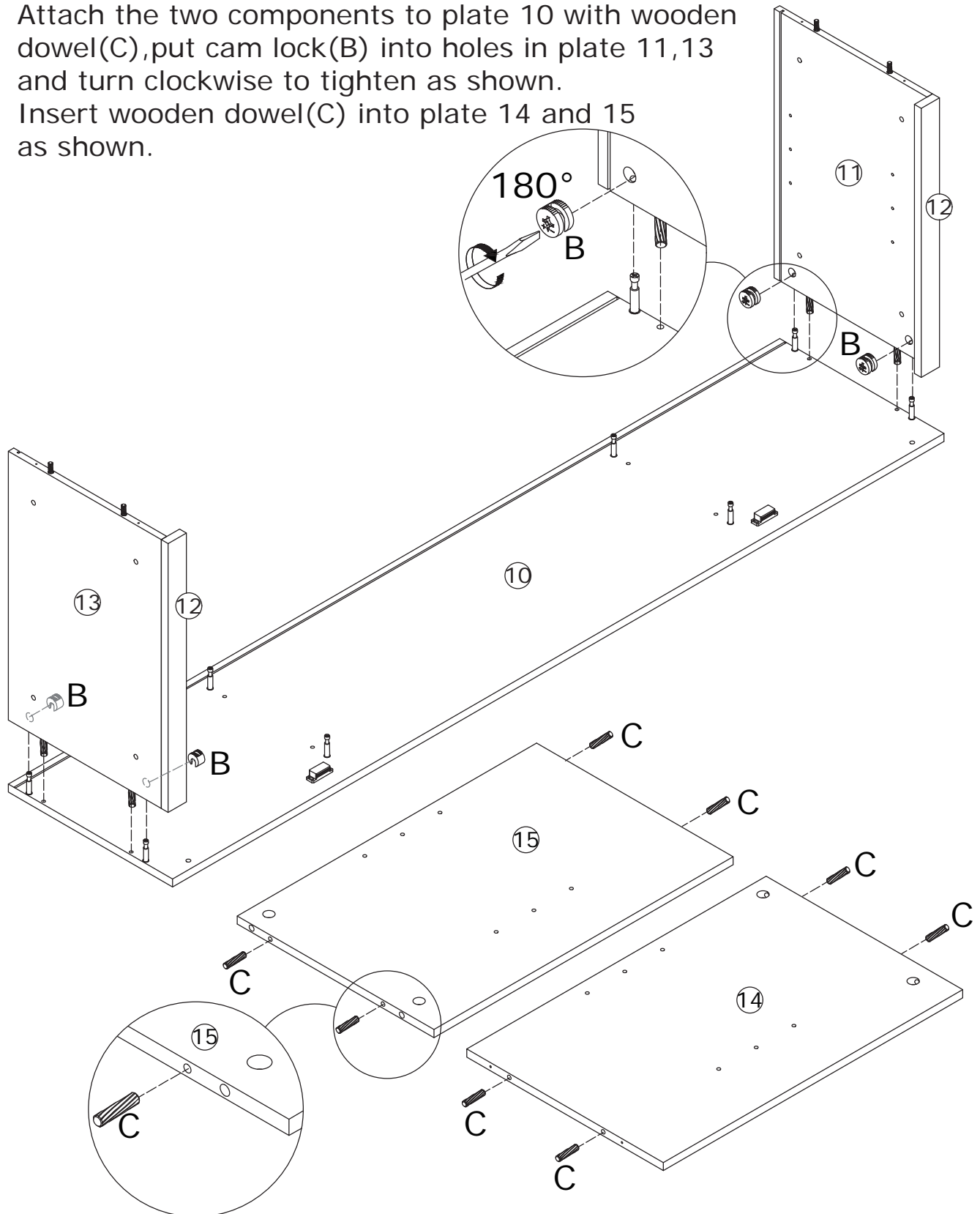
Fix part(L) to plate 10 as shown.



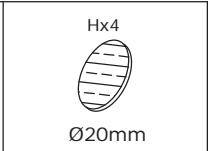
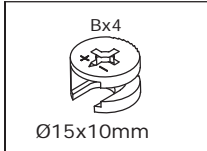
7



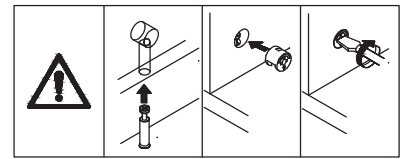
Attach the two components to plate 10 with wooden dowel(C), put cam lock(B) into holes in plate 11,13 and turn clockwise to tighten as shown. Insert wooden dowel(C) into plate 14 and 15 as shown.



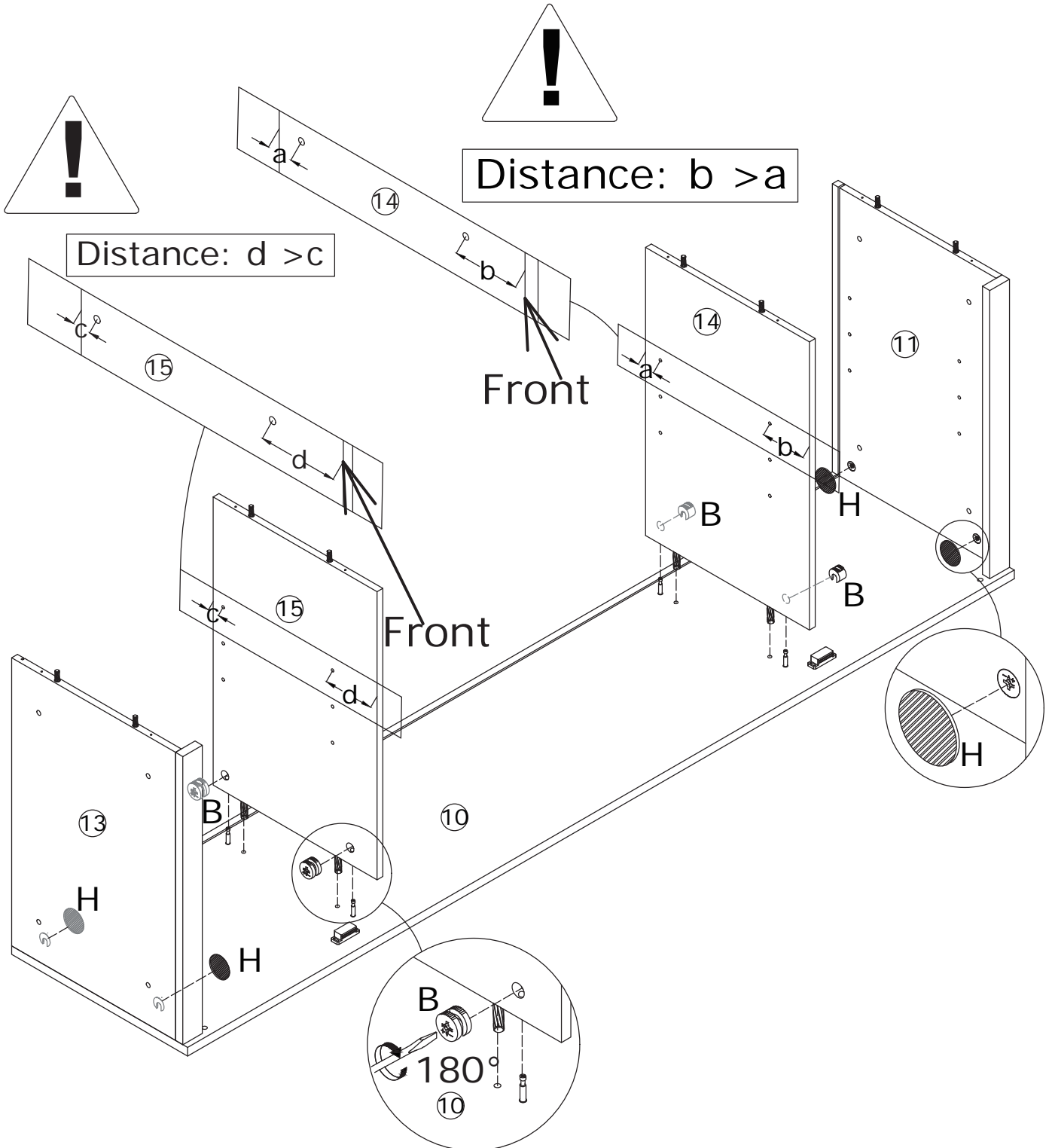
8



Attach plate 14 and 15 to plate 10 with wooden dowel(C), put cam lock(B) into holes in plate 14,15 and turn clockwise to tighten as shown.



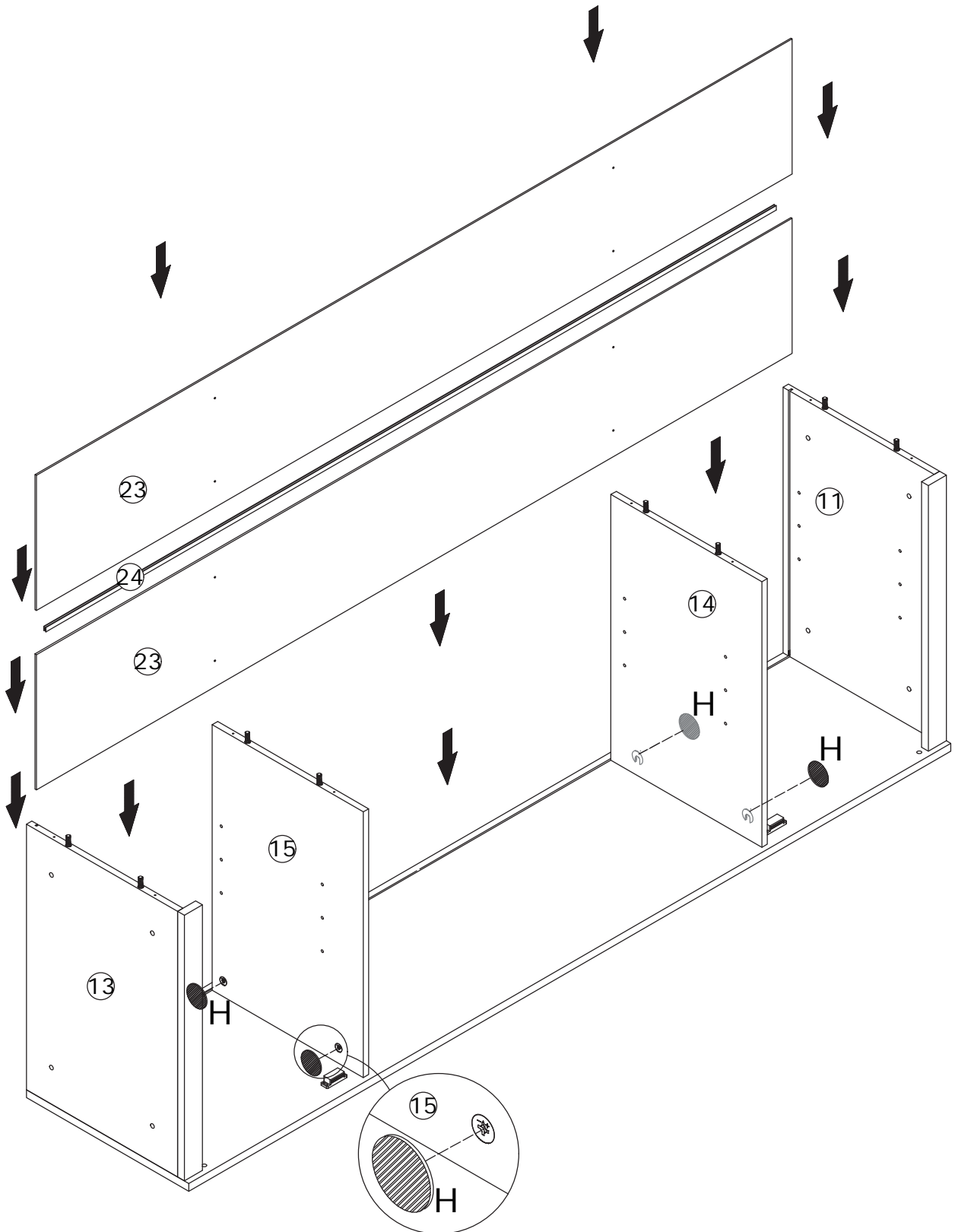
Stick part(H) to plate 11 and 13 as shown.



9



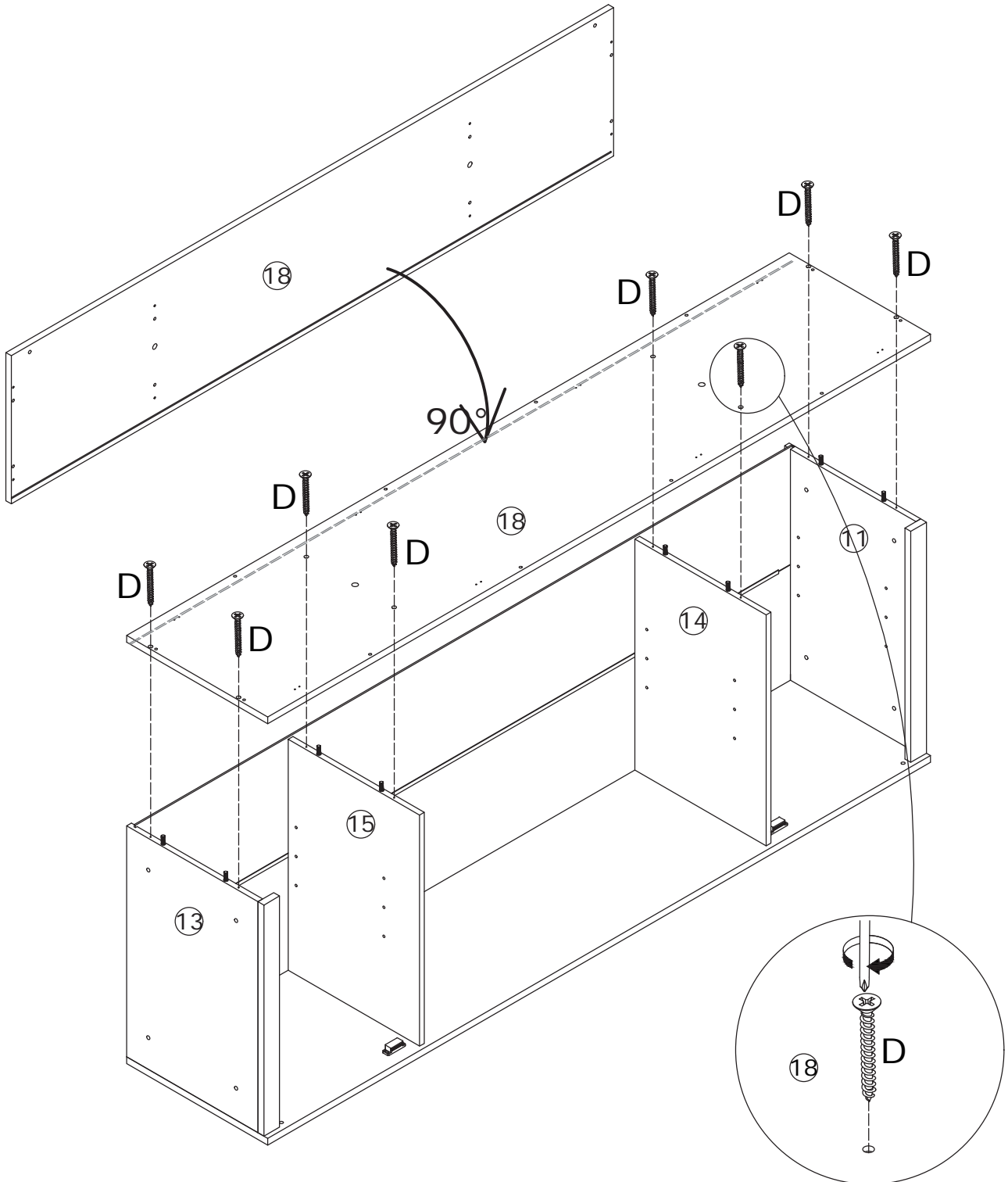
Connect plate 23 with plastic bar 24 at first.
Slide back plate along grooves as shown.
Stick part(H) to plate 14 and 15 as shown.



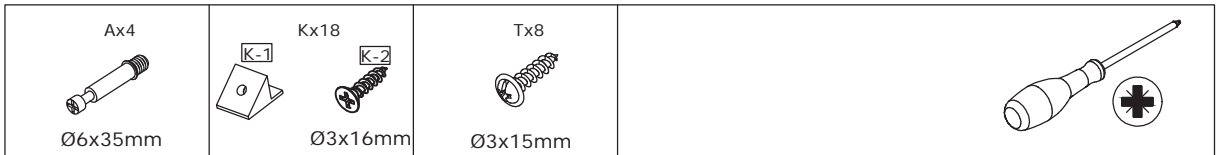
10



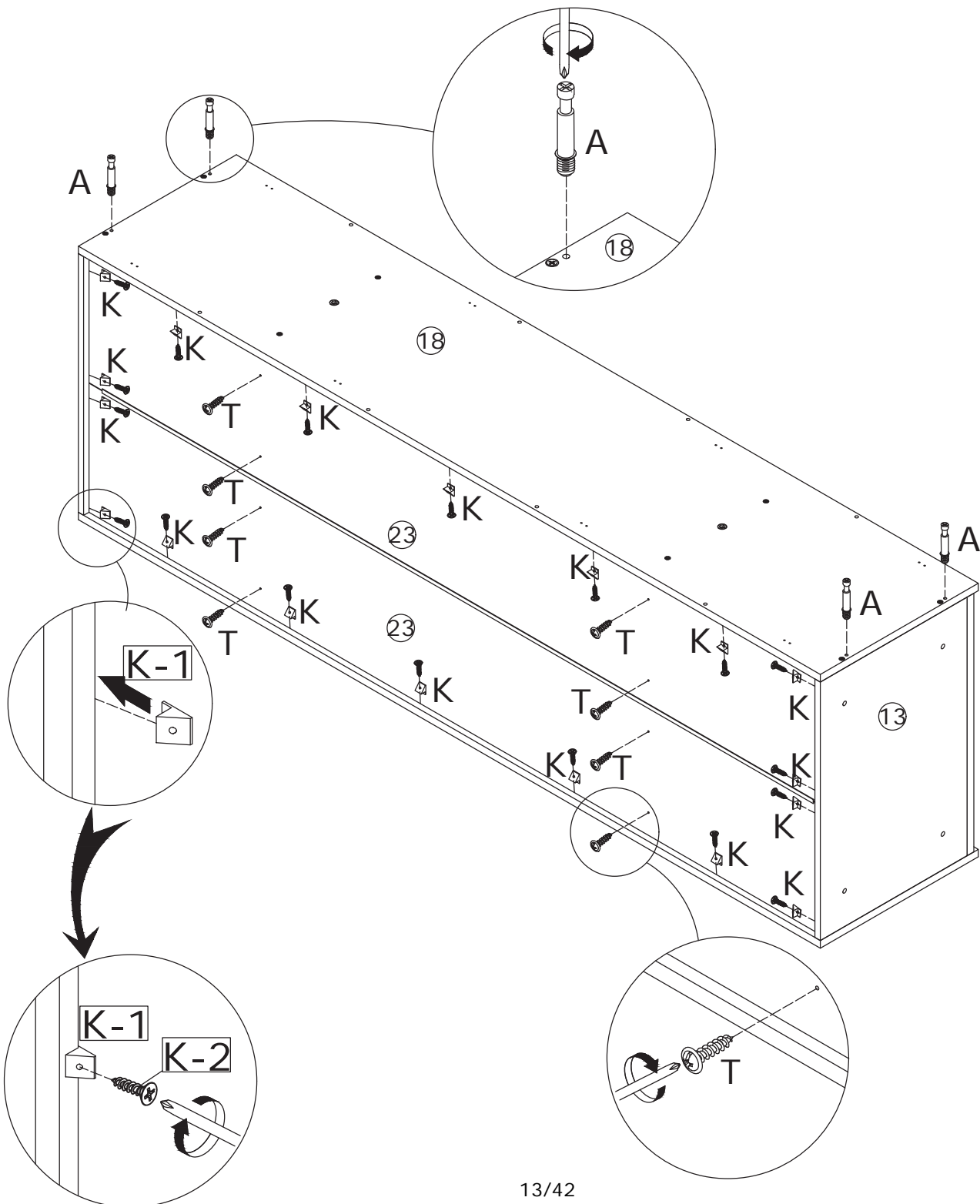
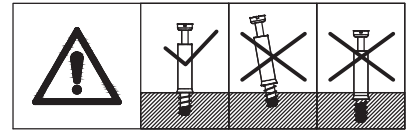
Cover plate 18 to the top and fix using screw(D) as shown.



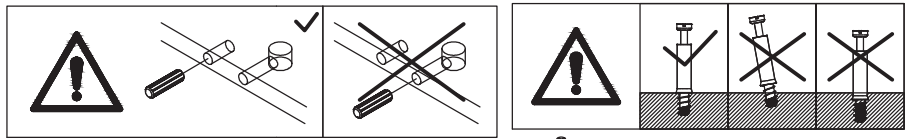
11



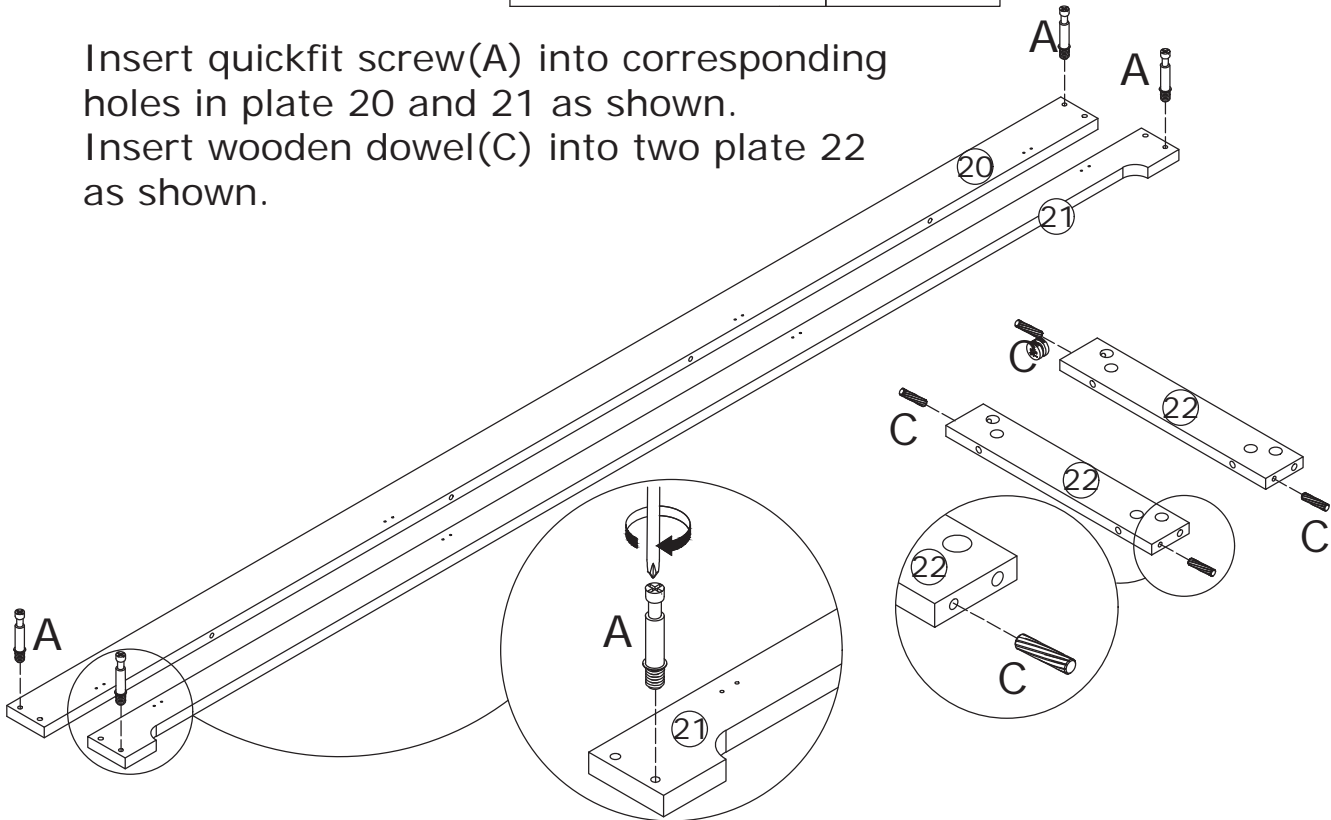
Fix back plate 23 using screw(T) as shown.
Reinforce back plate using part(K) as shown.
Insert quickfit screw(A) into corresponding
holes in plate 18 as shown.



12



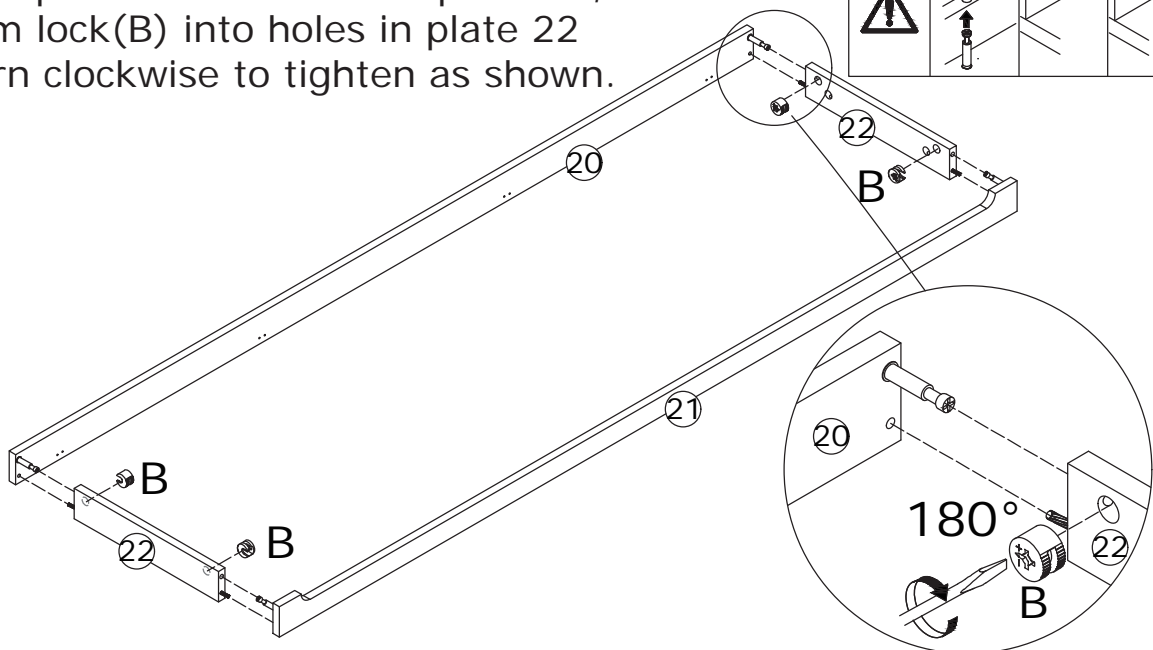
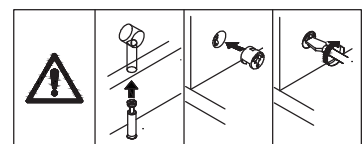
Insert quickfit screw(A) into corresponding holes in plate 20 and 21 as shown.
Insert wooden dowel(C) into two plate 22 as shown.



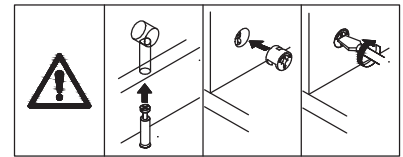
13



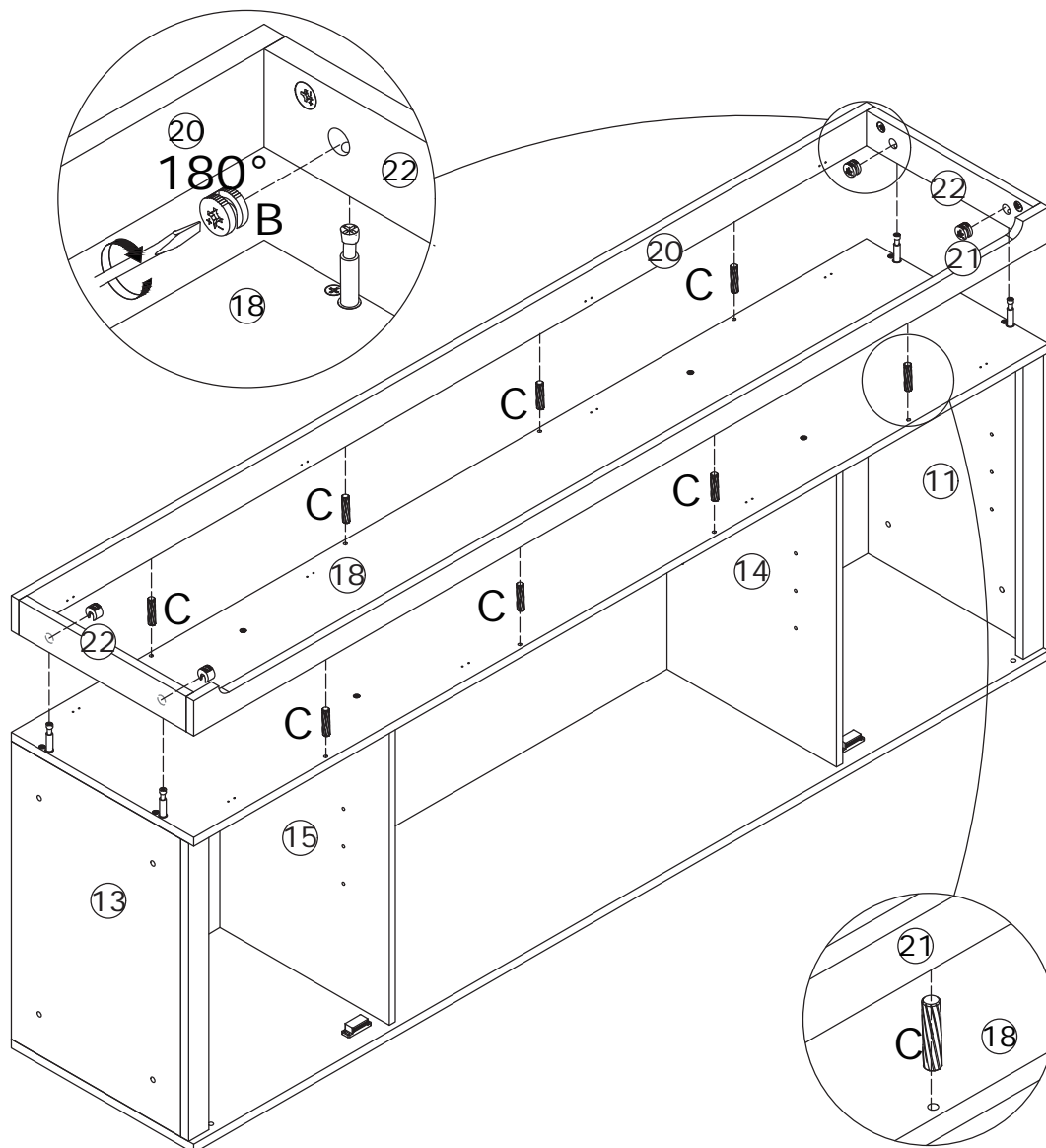
Connect plate 20 and 21 with plate 22, put cam lock(B) into holes in plate 22 and turn clockwise to tighten as shown.



14



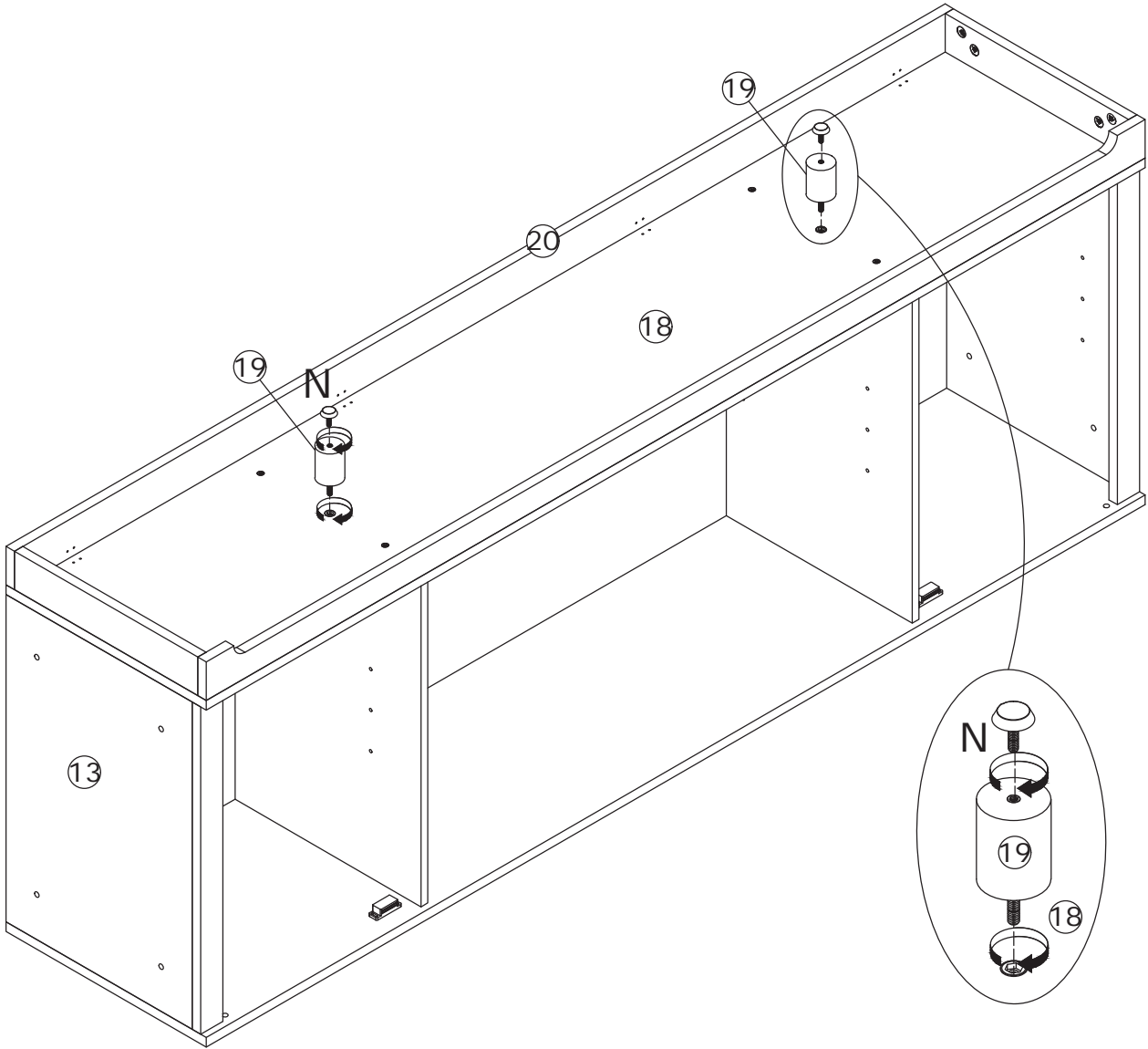
Attach the component to plate 18 with wooden dowel(C), put cam lock(B) into holes in plate 22 and turn clockwise to tighten as shown.



15



Rotate leg support 19 into plate 18 as shown.
Rotate part(N) into leg support 19 as shown.

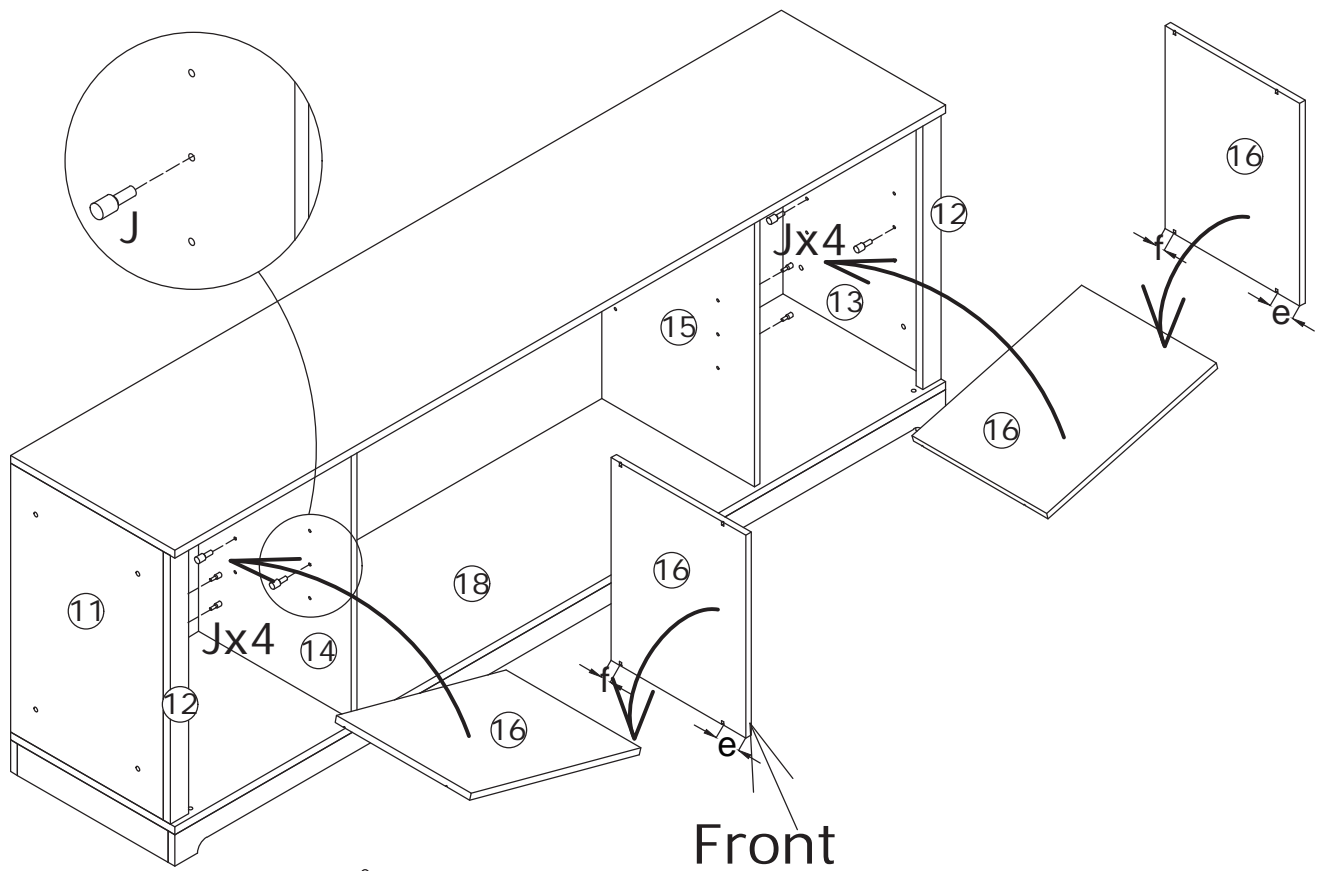


17

Jx8



Insert part(J) into corresponding holes in plate 11,14,15 and 13, place shelf 16 in as shown.

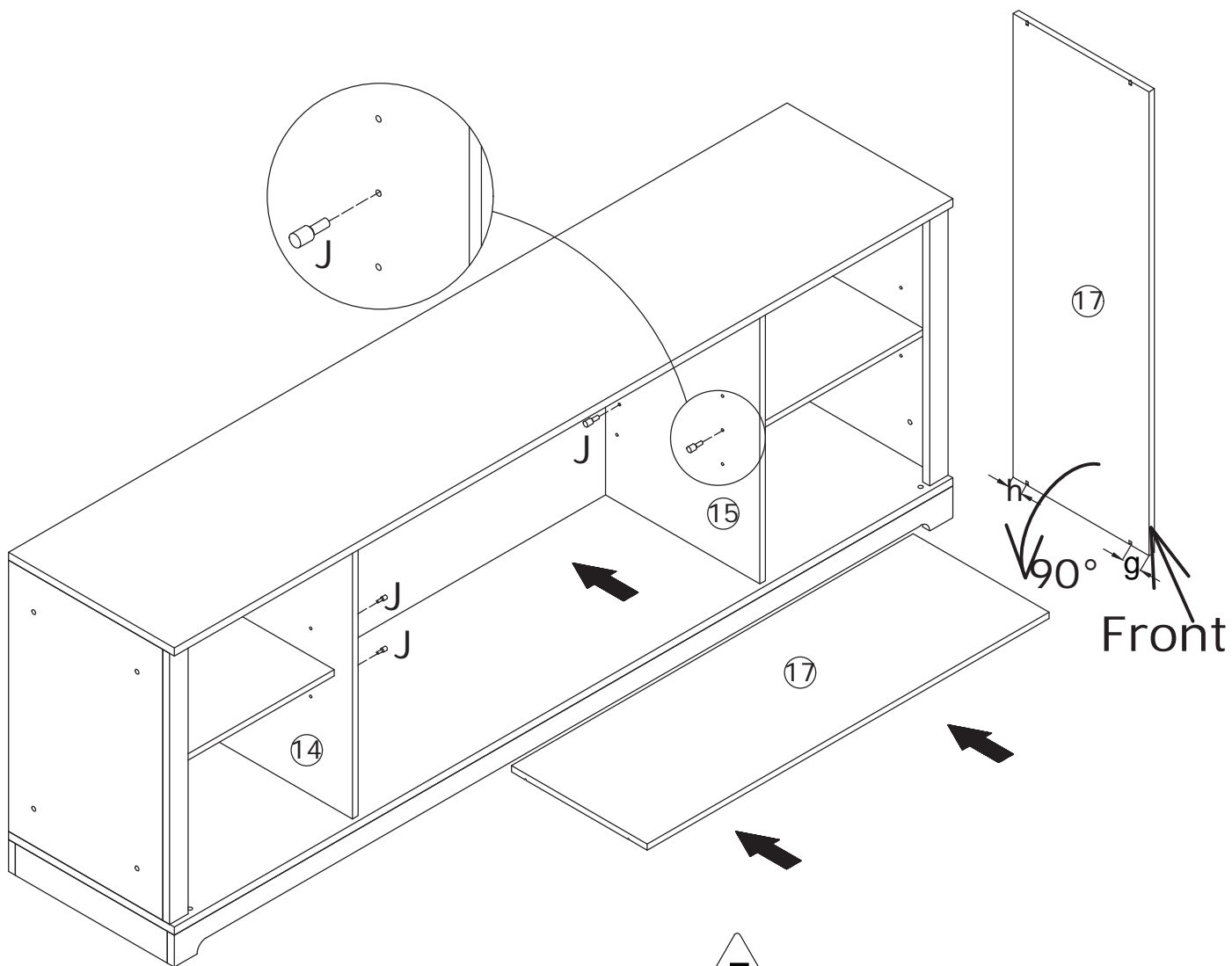


Distance: $e > f$

18

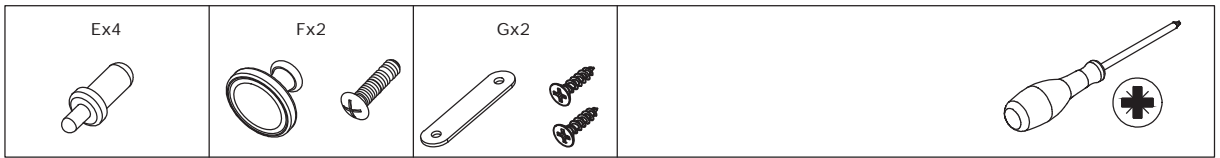


Insert part(J) into corresponding holes in plate 14 and 15, place shelf 17 in as shown.

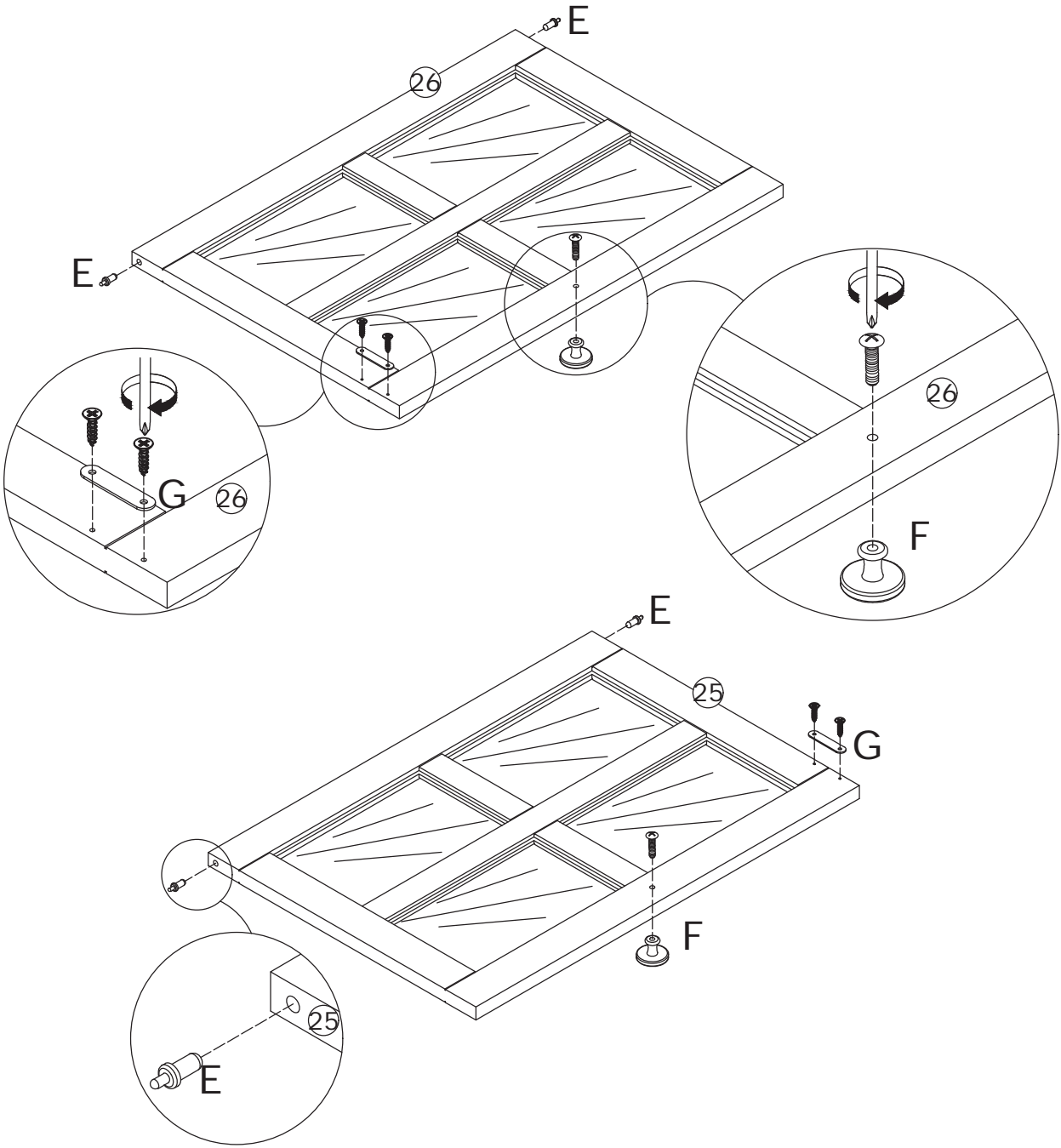


Distance: $g > h$

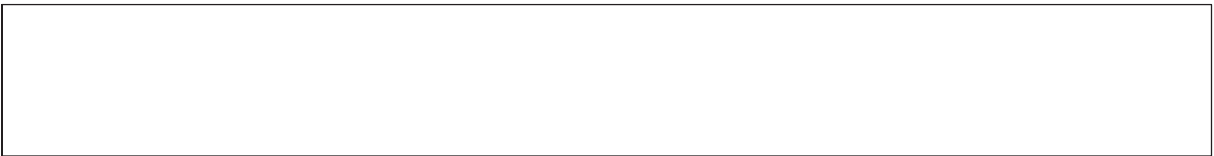
19



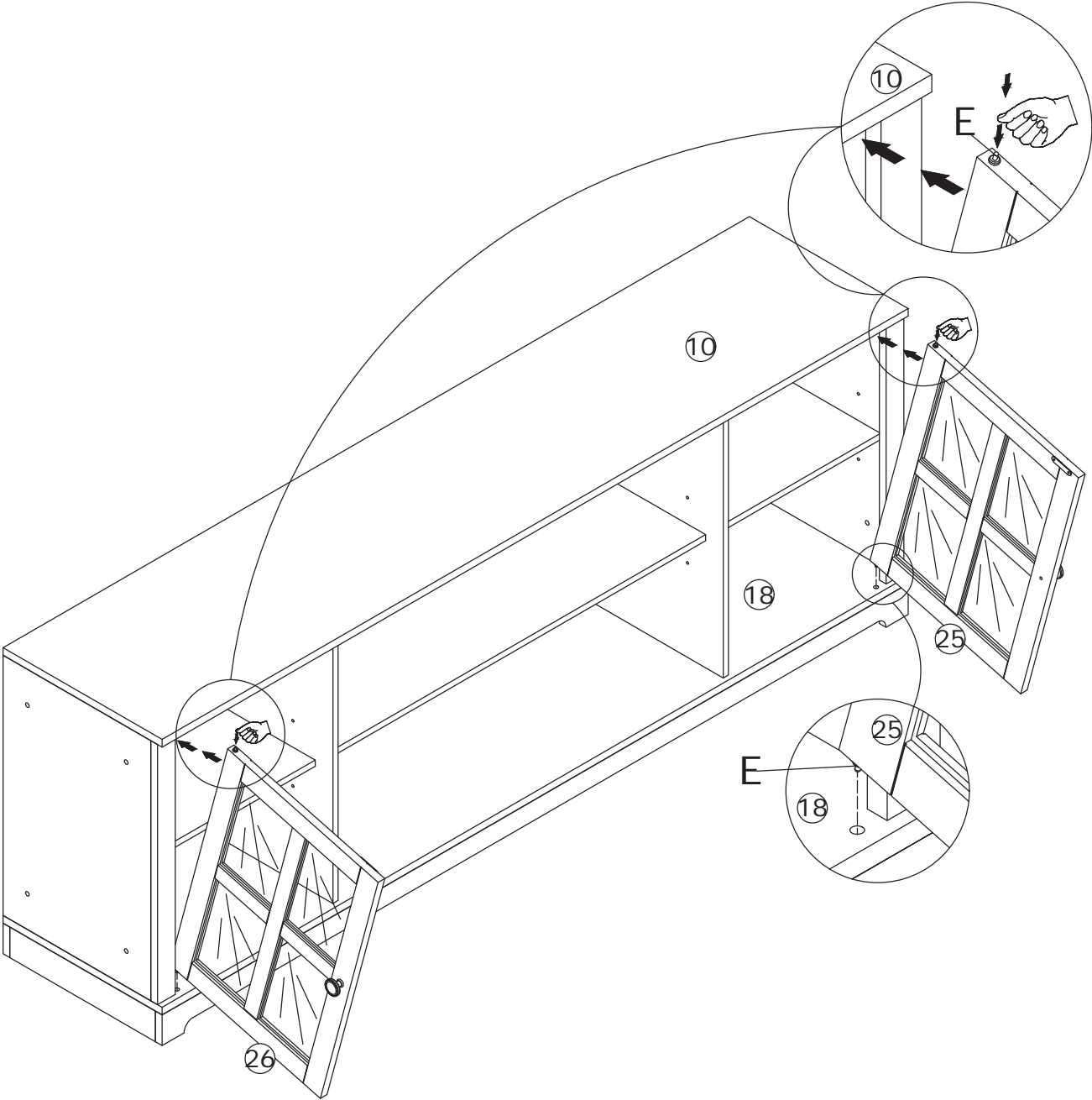
Insert part(E) into plate 25 and 26 as shown.
Fix part(G) and knob(F) to plate 25 and 26 respectively as shown.



20

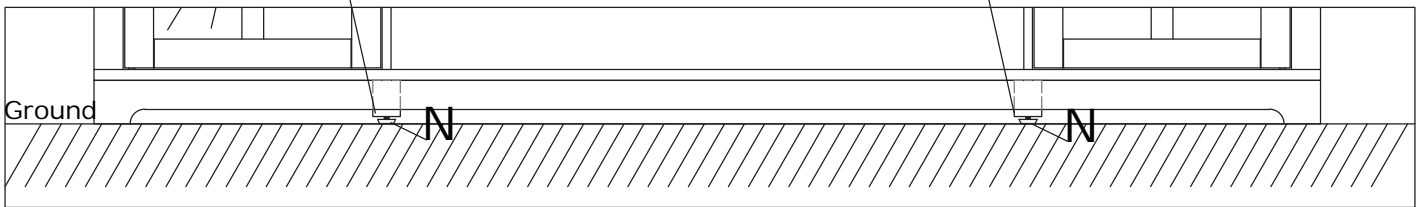
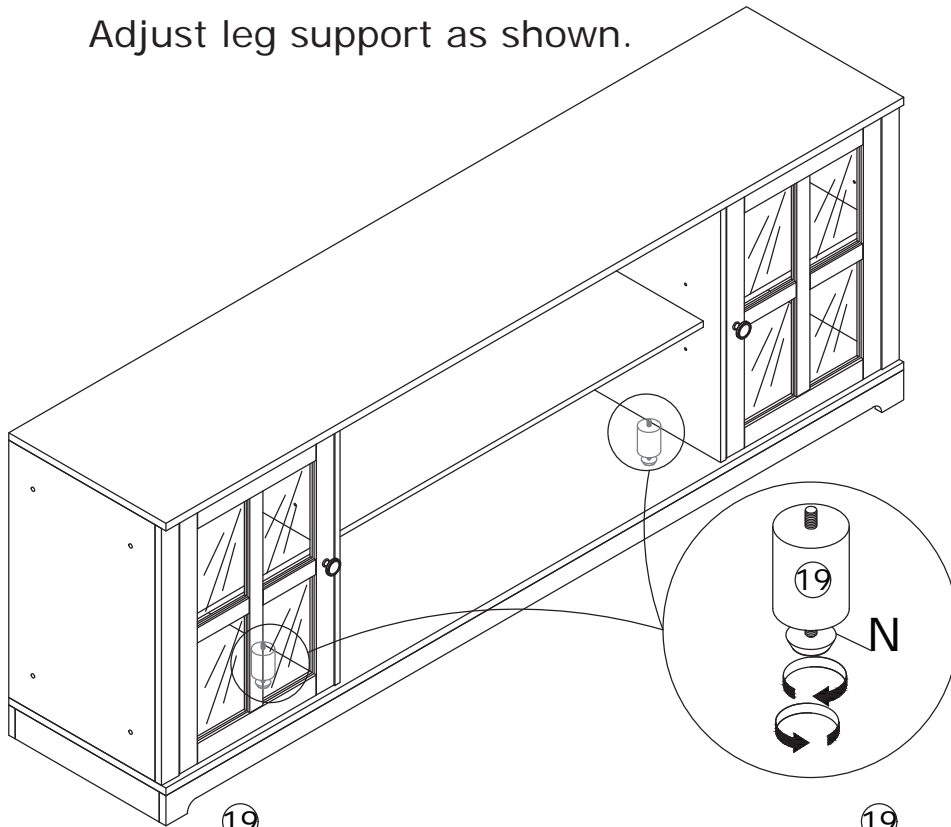


Assembled the two door plate as shown.

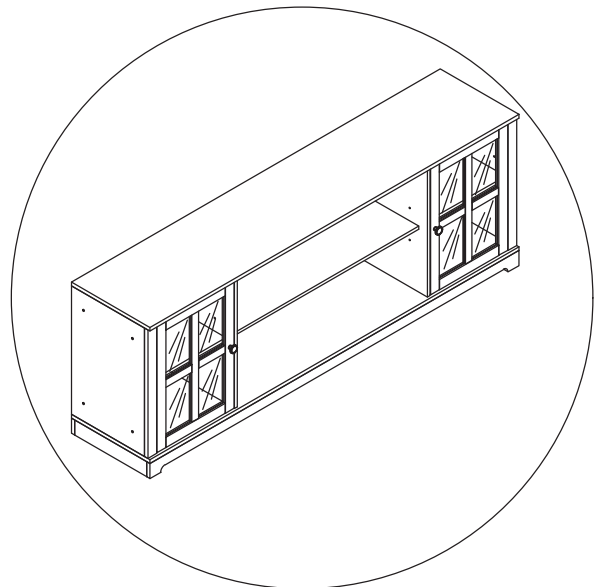


21

Adjust leg support as shown.



If the cabinet is unstable with the ground, please rotate the 19 # foot fitting (N)

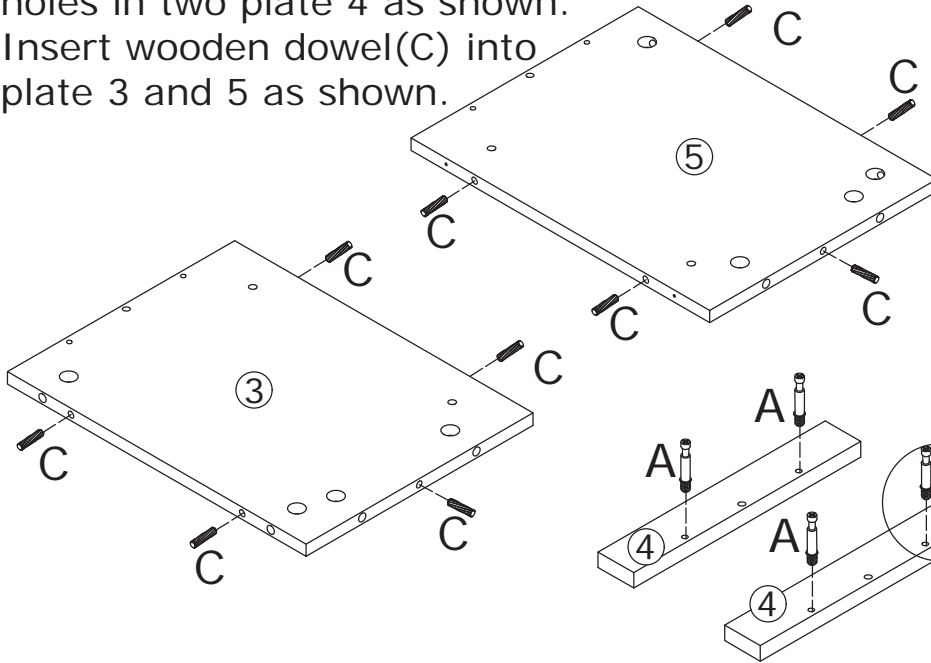
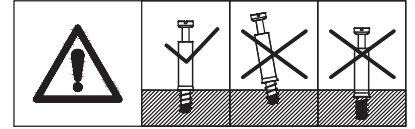
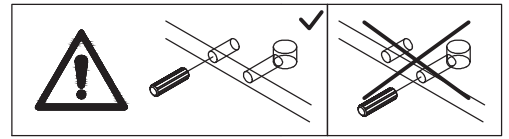


22



Hanging cabinet

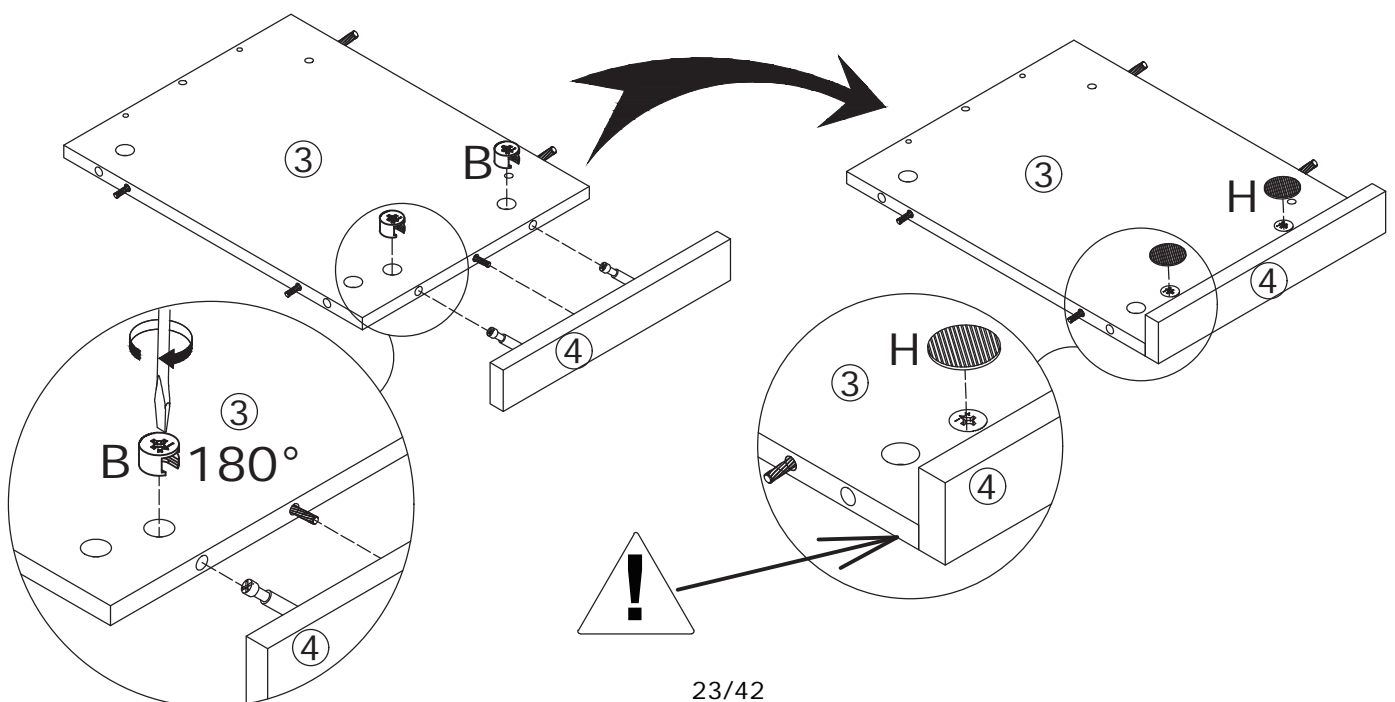
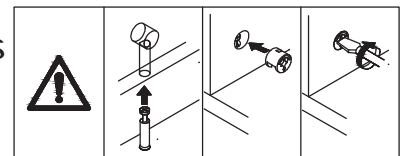
Insert quickfit screw(A) into corresponding holes in two plate 4 as shown.
 Insert wooden dowel(C) into plate 3 and 5 as shown.



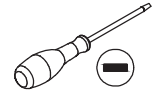
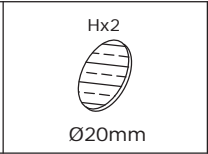
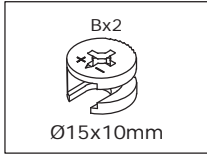
23



Attach plate 4 to plate 3, put cam lock(B) into holes in plate 3 and turn clockwise to tighten as shown.
 Flip the part, stick part(H) to plate 3 as shown.

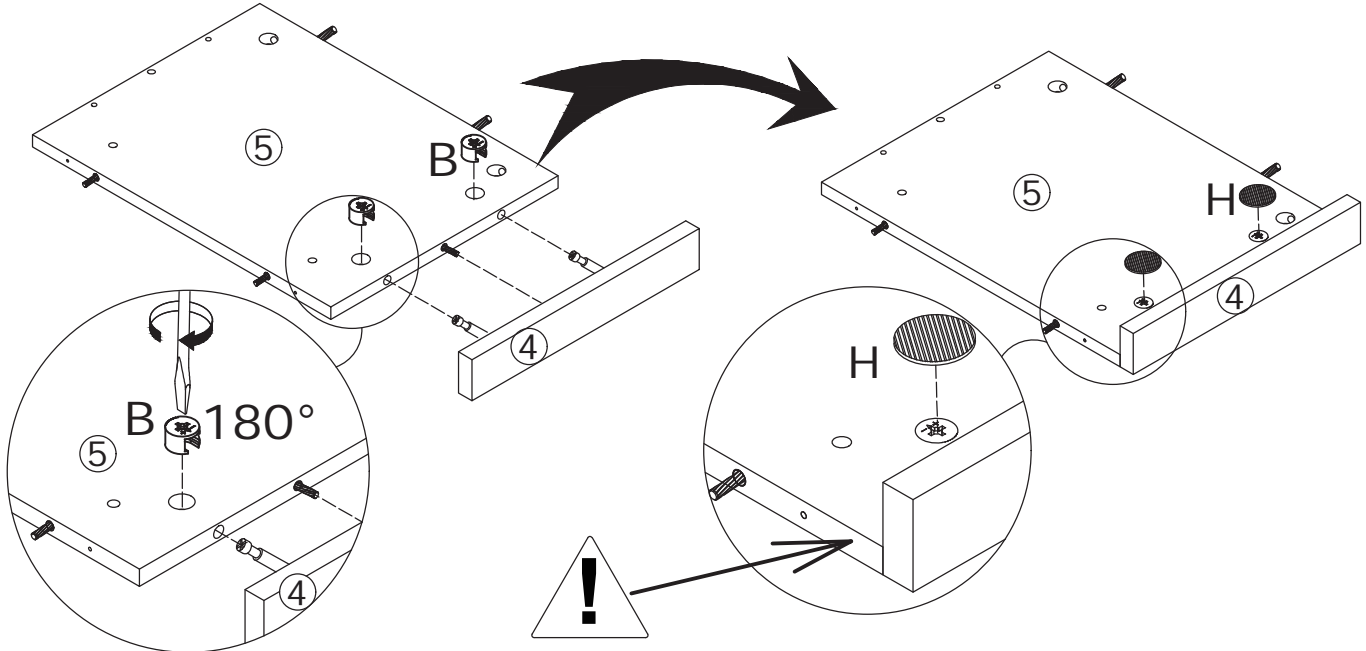


24

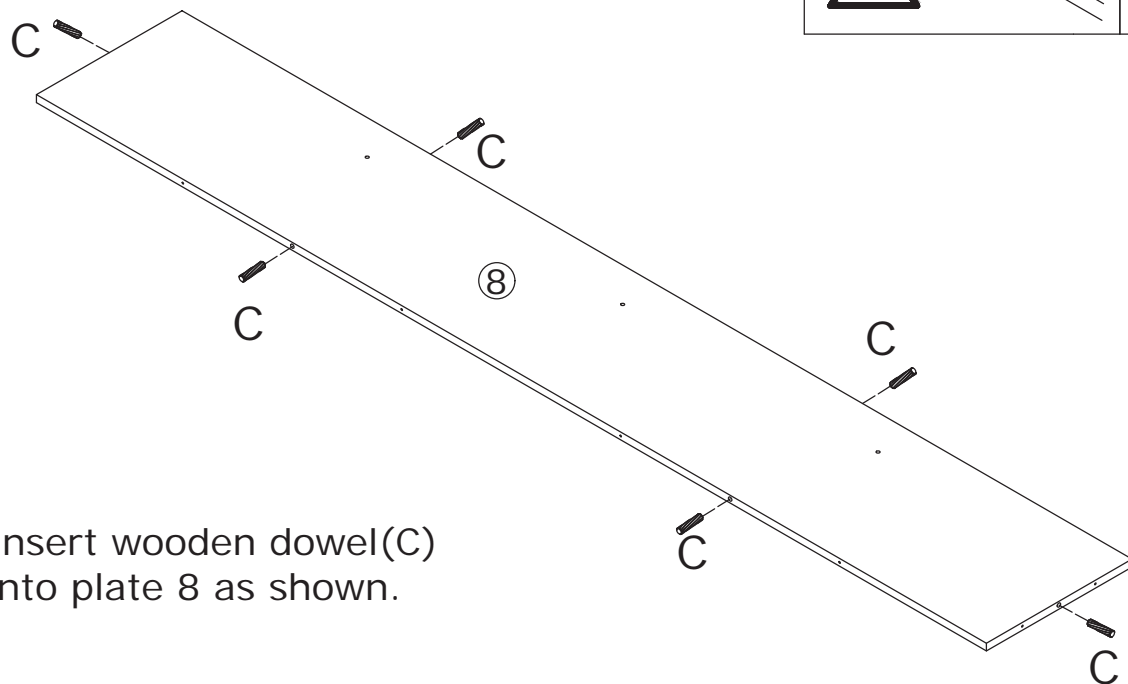
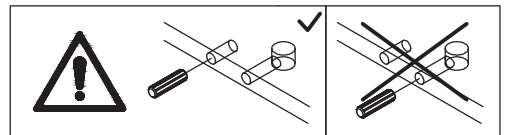
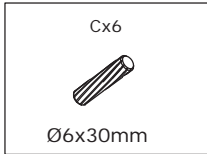


Attach plate 4 to plate 5, put cam lock(B) into holes in plate 5 and turn clockwise to tighten as shown.

Flip the part, stick part(H) to plate 5 as shown.

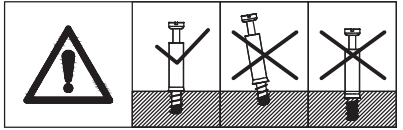
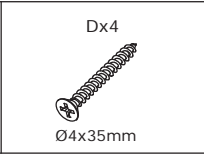
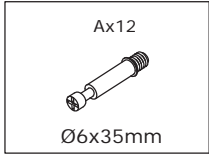


25

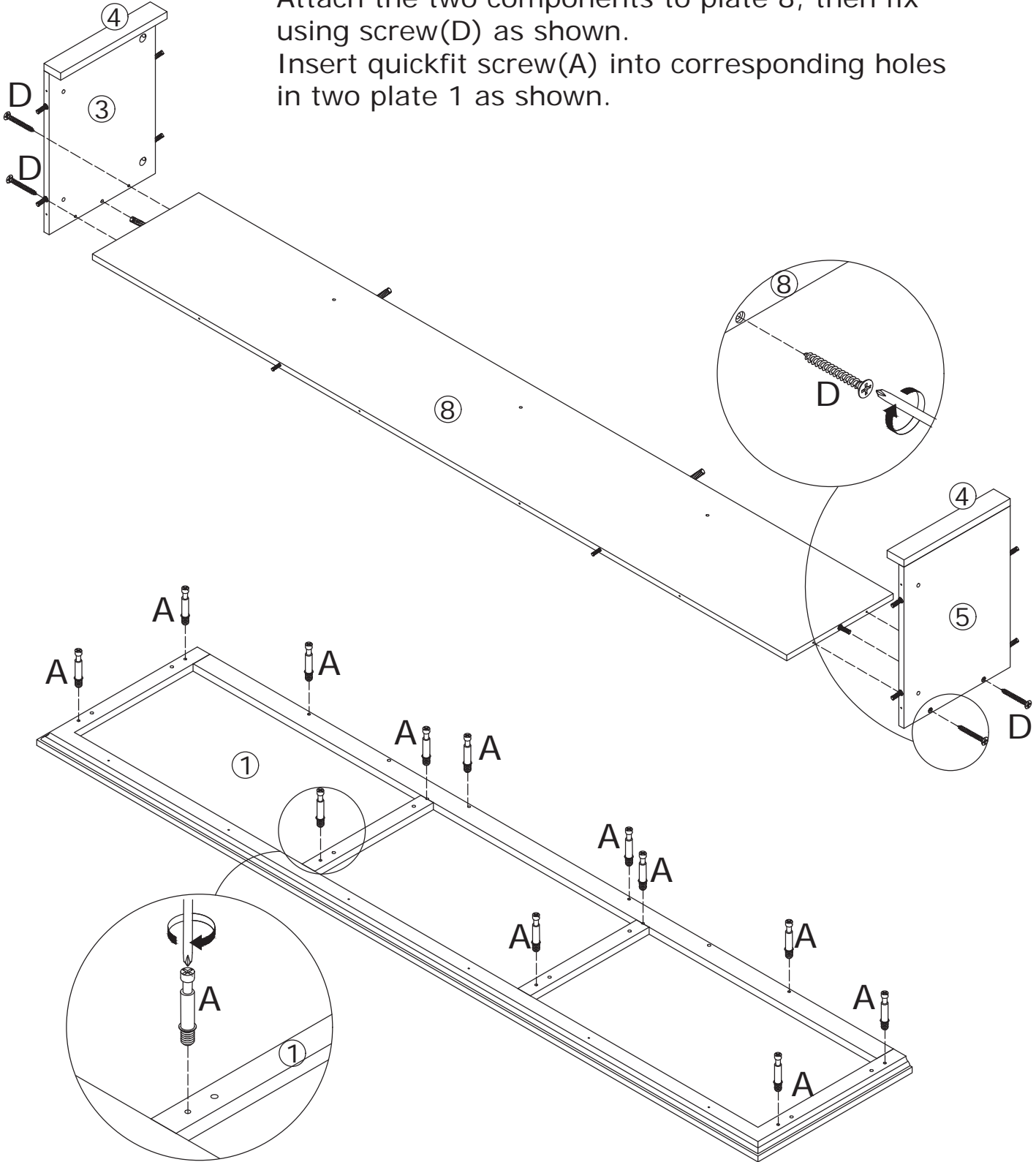


Insert wooden dowel(C) into plate 8 as shown.

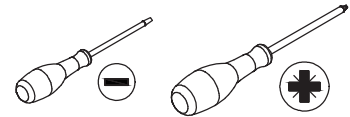
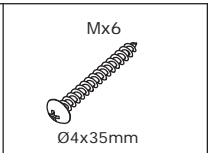
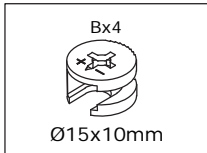
26



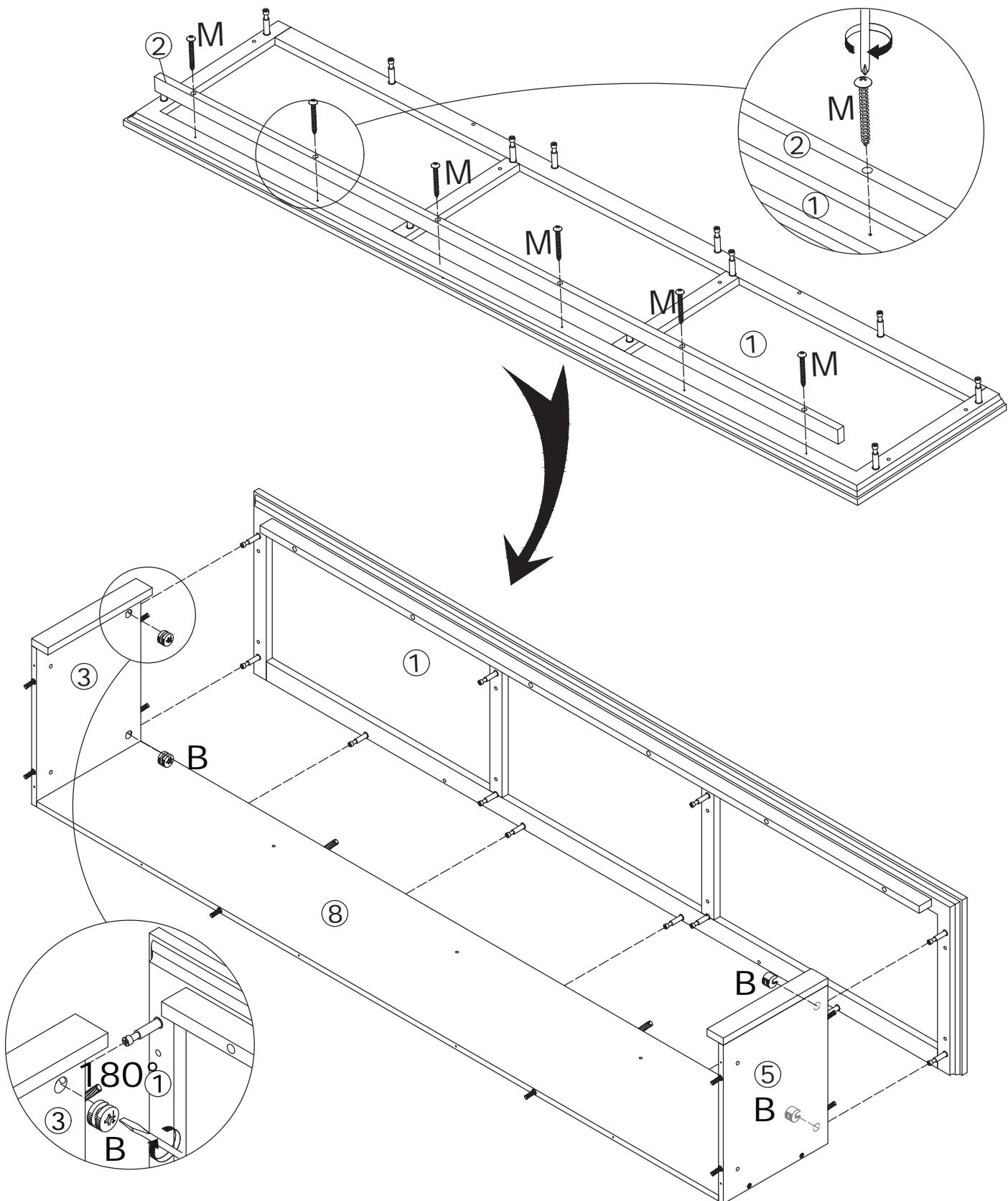
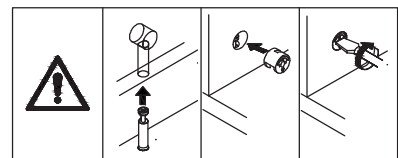
Attach the two components to plate 8, then fix using screw(D) as shown.
Insert quickfit screw(A) into corresponding holes in two plate 1 as shown.



27



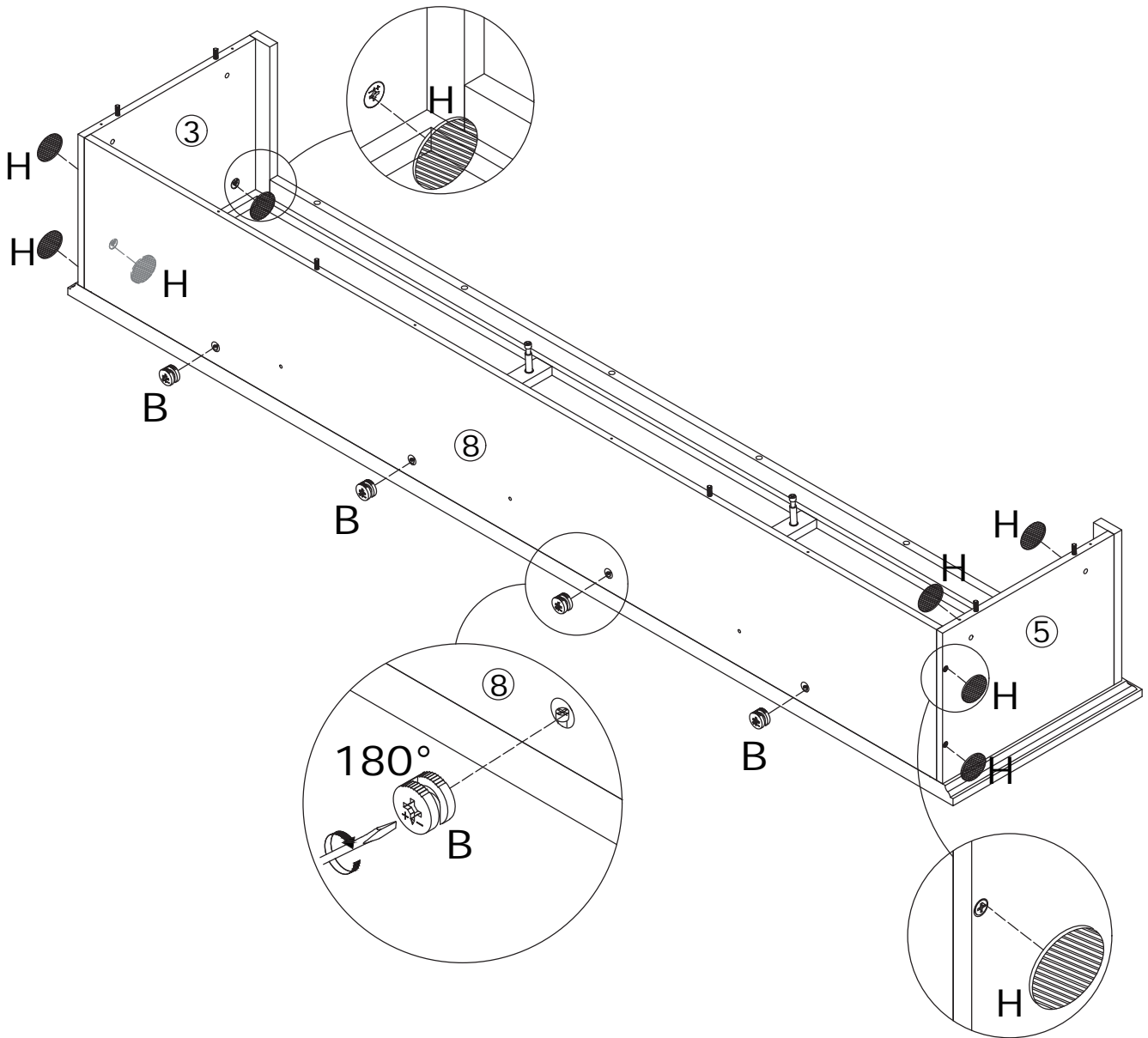
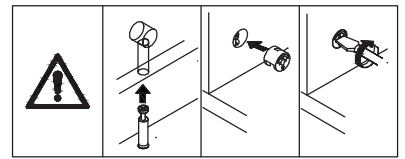
Fix plate 2 to plate 1 using screw(M) as shown. Cover plate 1 to plate 3,5 and 8, put cam lock(B) into holes in plate 3,5 and turn clockwise to tighten as shown.



28



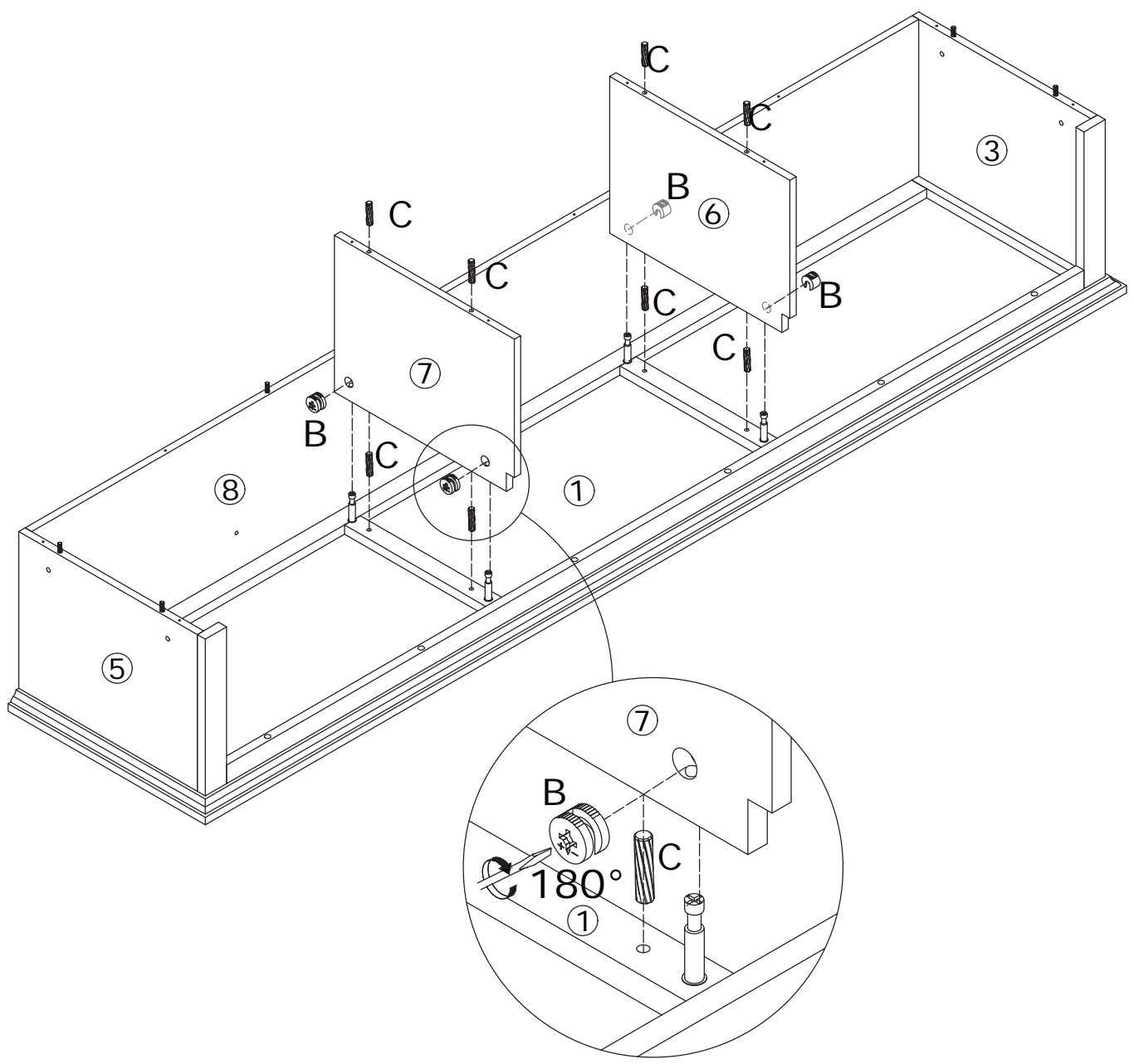
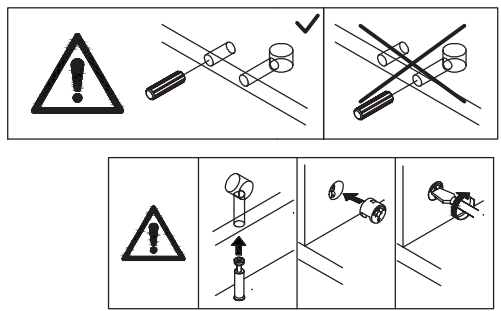
Stick part(H) to plate 3,8 and 5 as shown.
Put cam lock(B) into holes in plate 8 and turn clockwise to tighten as shown.



29



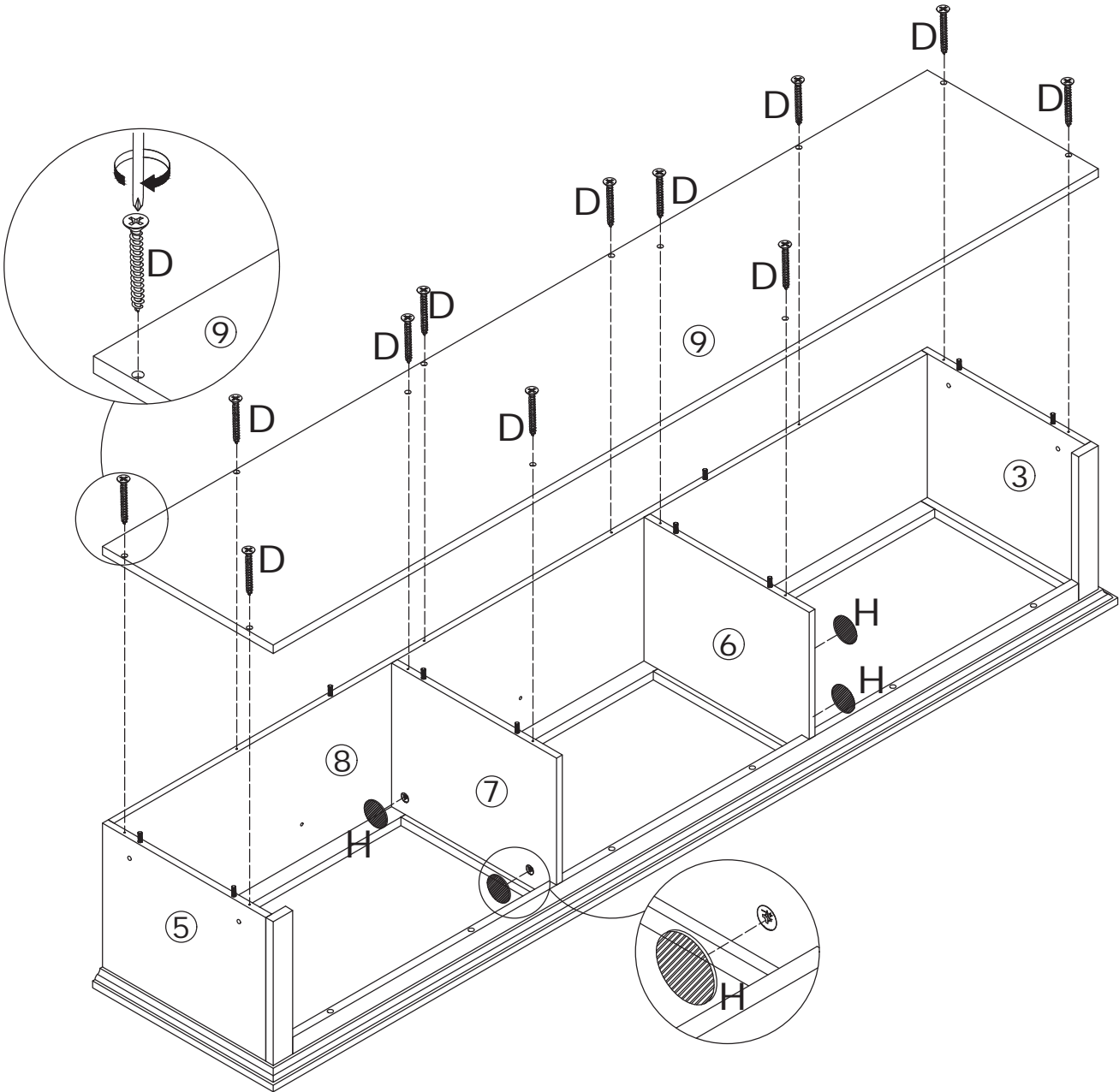
Attach plate 6 and 7 to plate 1 with wooden dowel(C), put cam lock(B) into holes in plate 6,7 and turn clockwise to tighten as shown.
Insert wooden dowel(C) into plate 6 and 7 as shown.



30



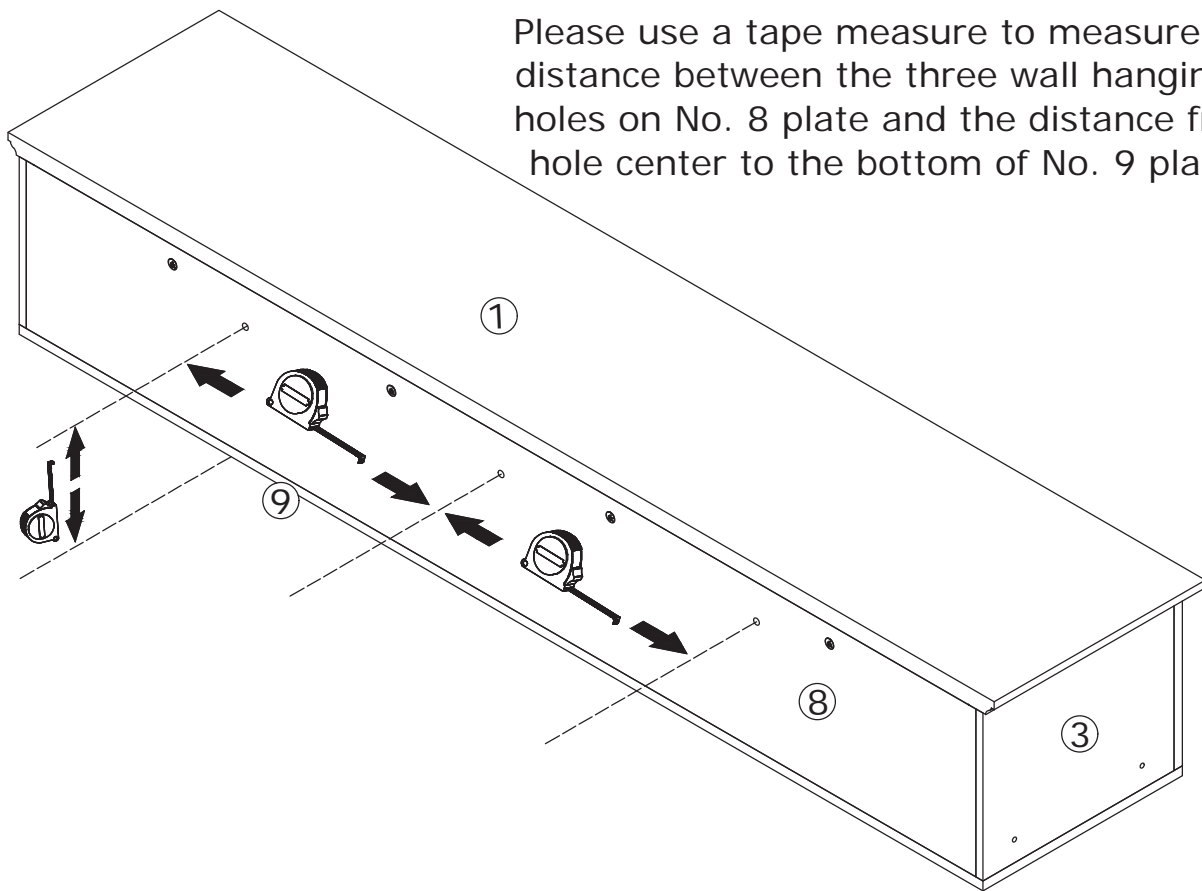
Cover plate 9 to the unit, then fix using screw(D) as shown.
Stick part(H) to plate 6 and 7 as shown.



31

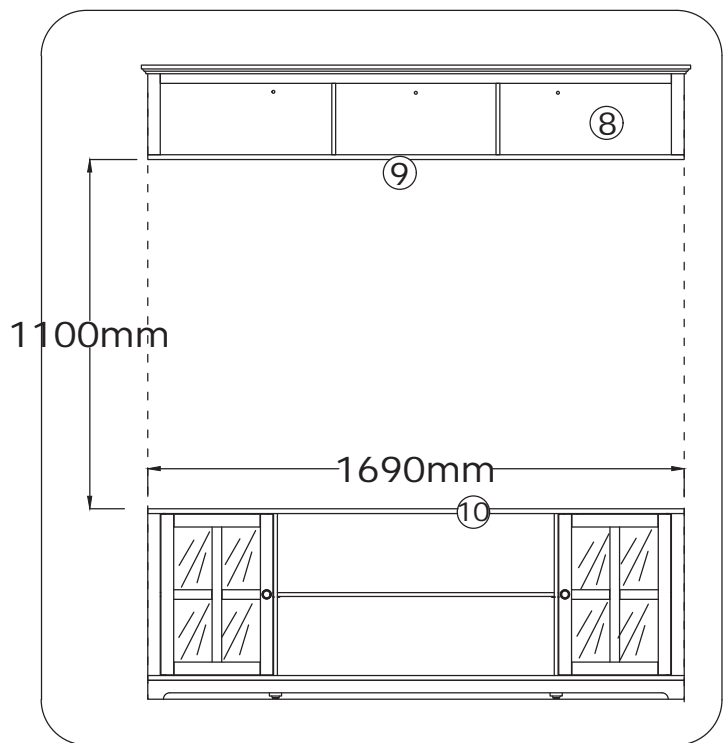
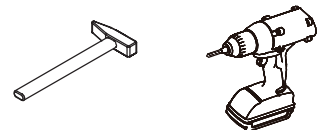
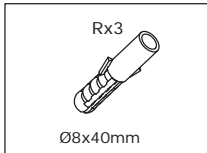


Please use a tape measure to measure the distance between the three wall hanging holes on plate 8 and the distance from the hole center to the bottom of plate 9.

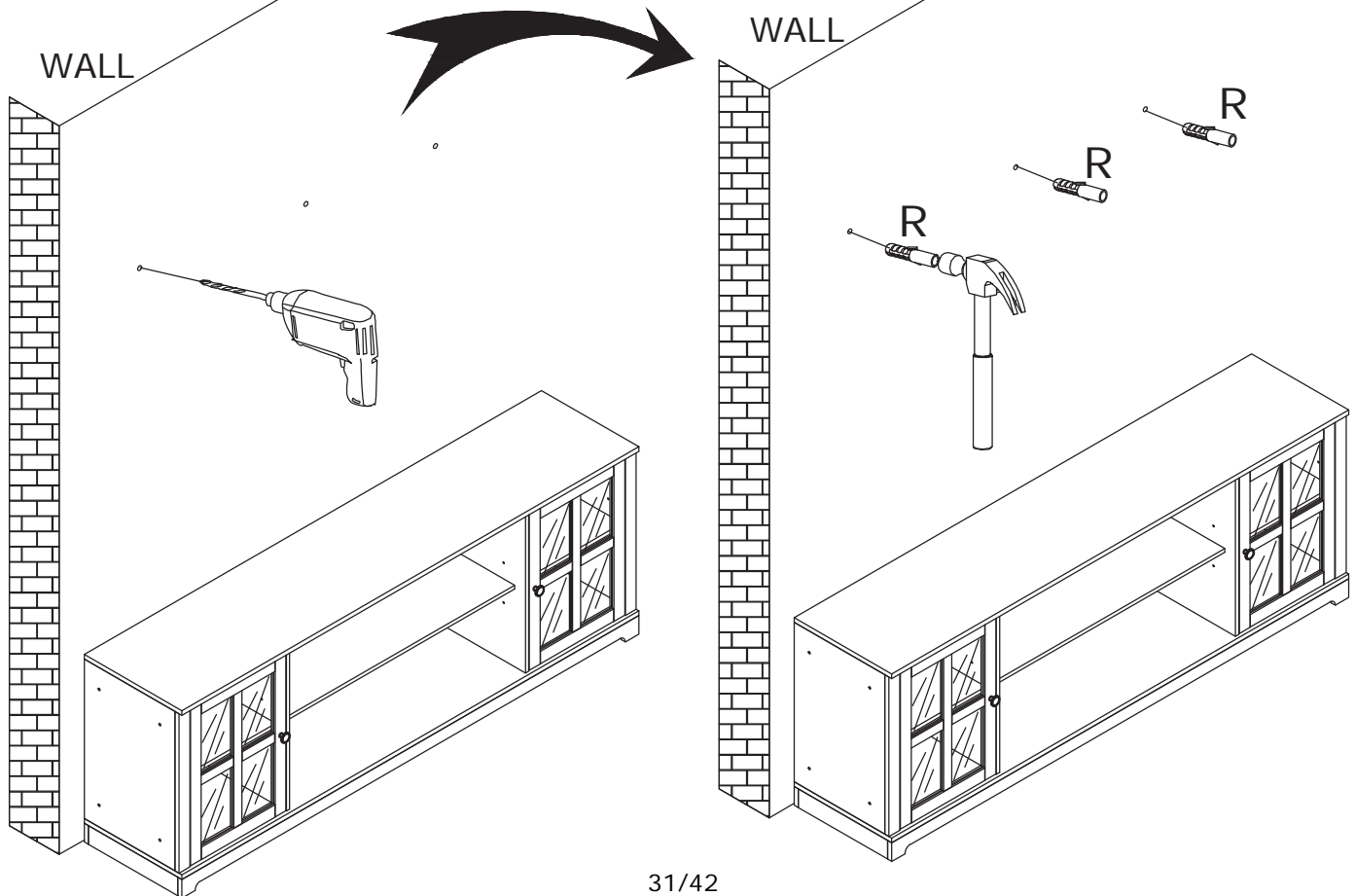


Please use a tape measure to measure the distance between the three wall hanging holes on No. 8 plate and the distance from the hole center to the bottom of No. 9 plate

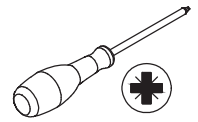
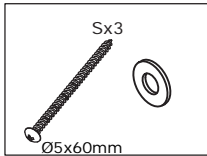
32



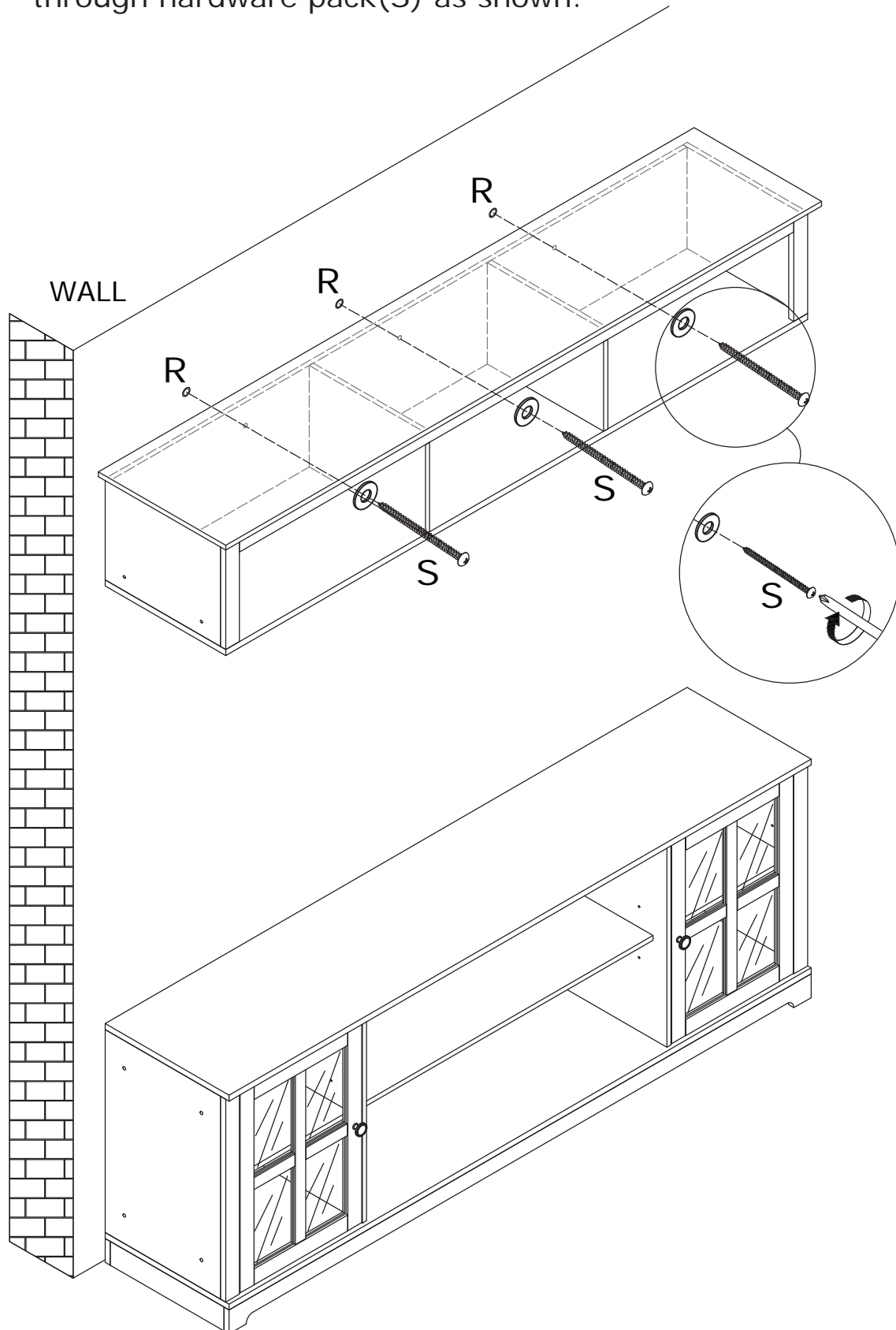
Please use the electric drill to lead three holes in the wall according to the value measured in the previous step^① and the relevant data in this step,



33



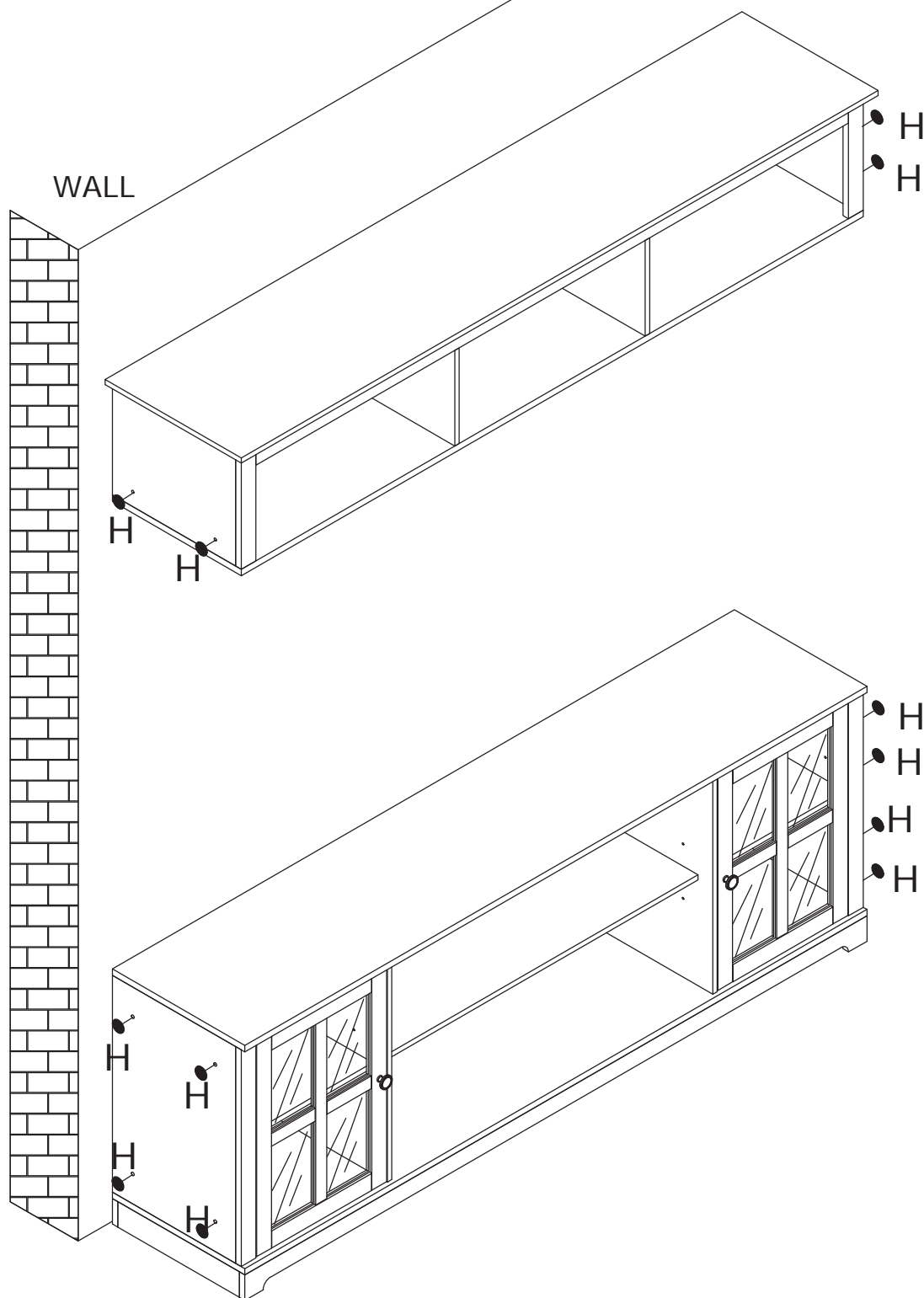
Fix the upper cabinet to part(R) on wall through hardware pack(S) as shown.



34

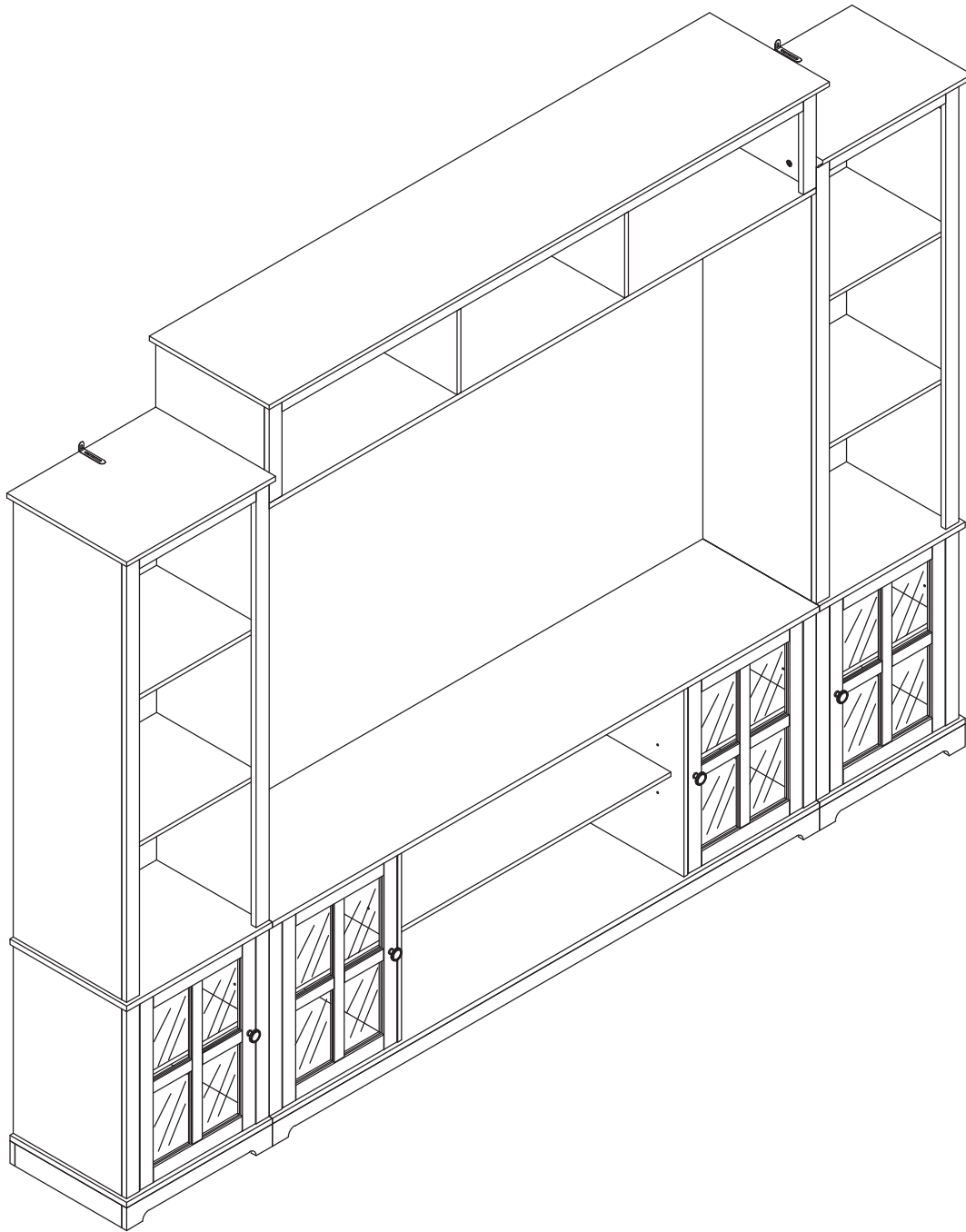


If there is no high cabinet, please use hole sticker (H) to cover the holes on the appearance of the hanging cabinet and TV cabinet respectively.
If there is a high cabinet, please skip step 34 and directly install step 35.



35

If there are left and right high cabinets, hanging cabinets and TV cabinets, please install them as shown in the figure below.

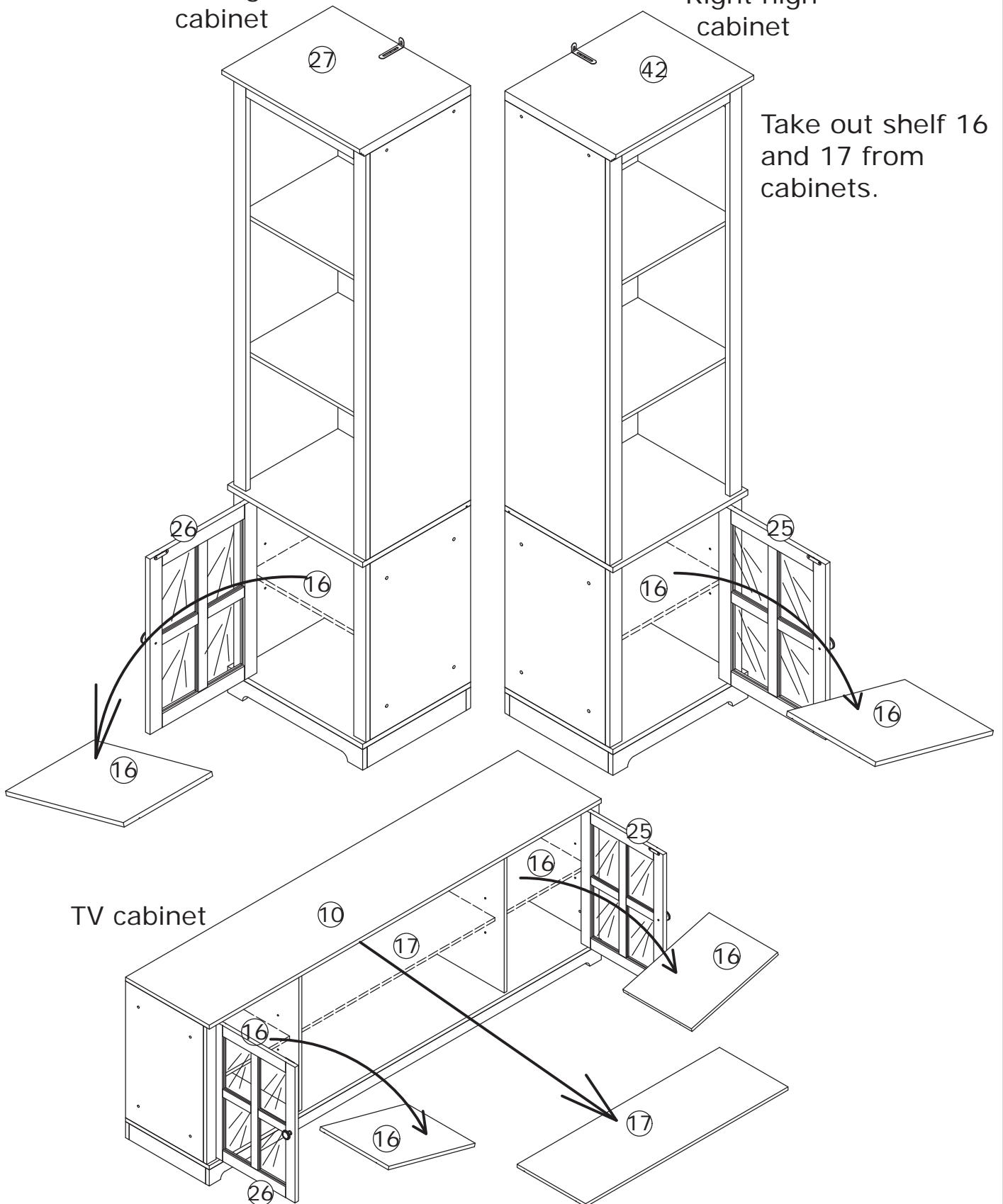




Left high cabinet

Right high cabinet

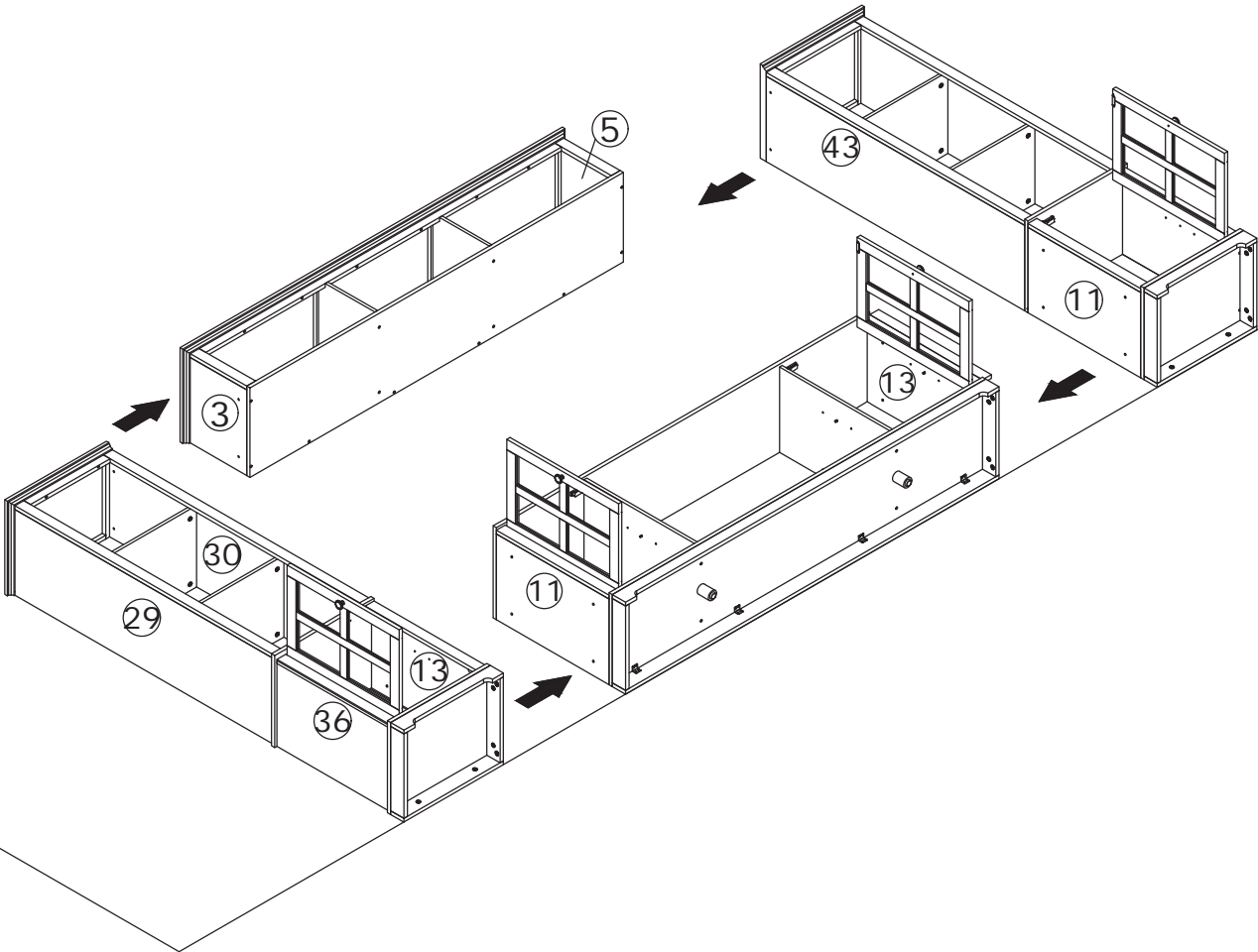
Take out shelf 16 and 17 from cabinets.



37



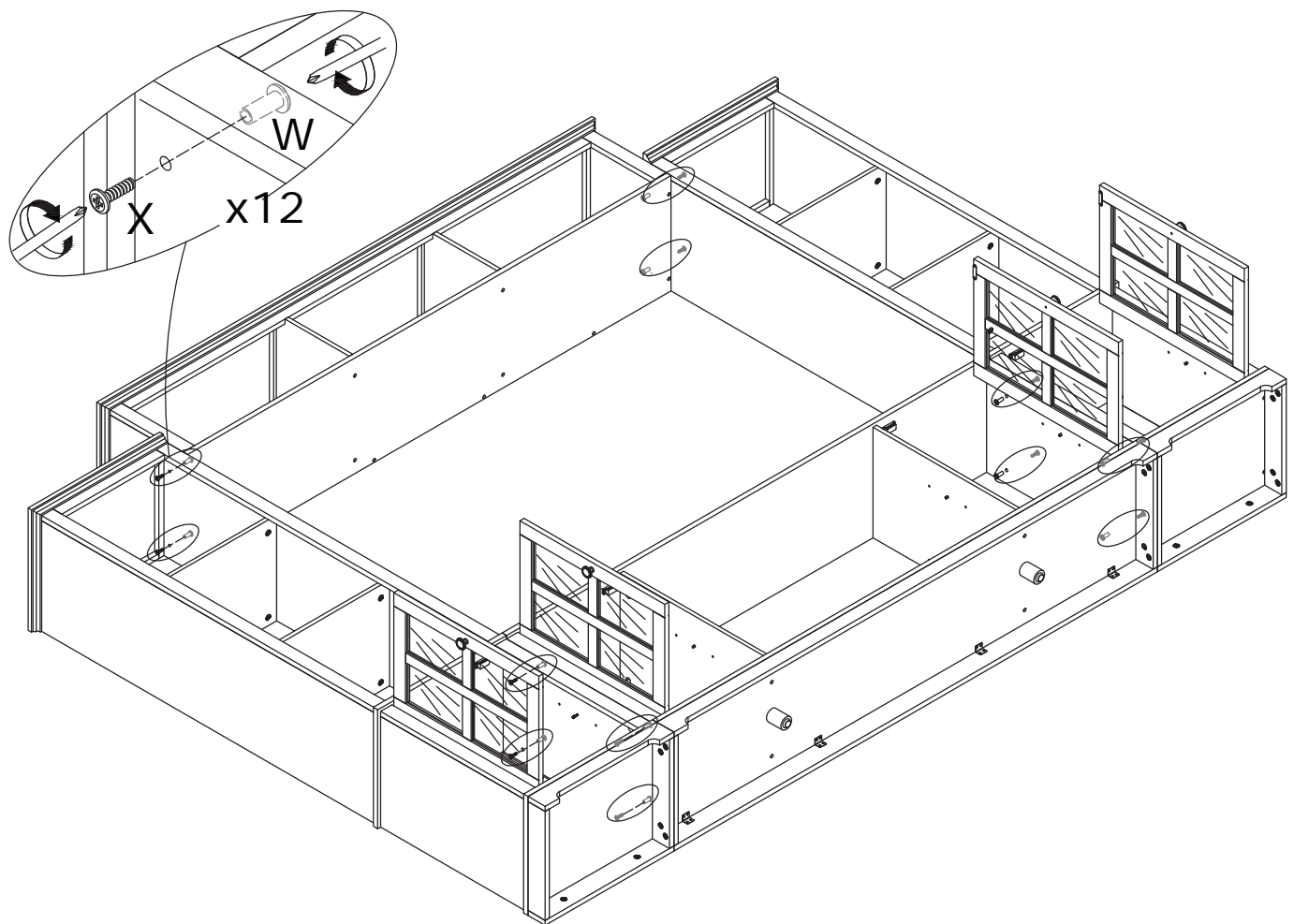
Assemble four units together as shown.



38

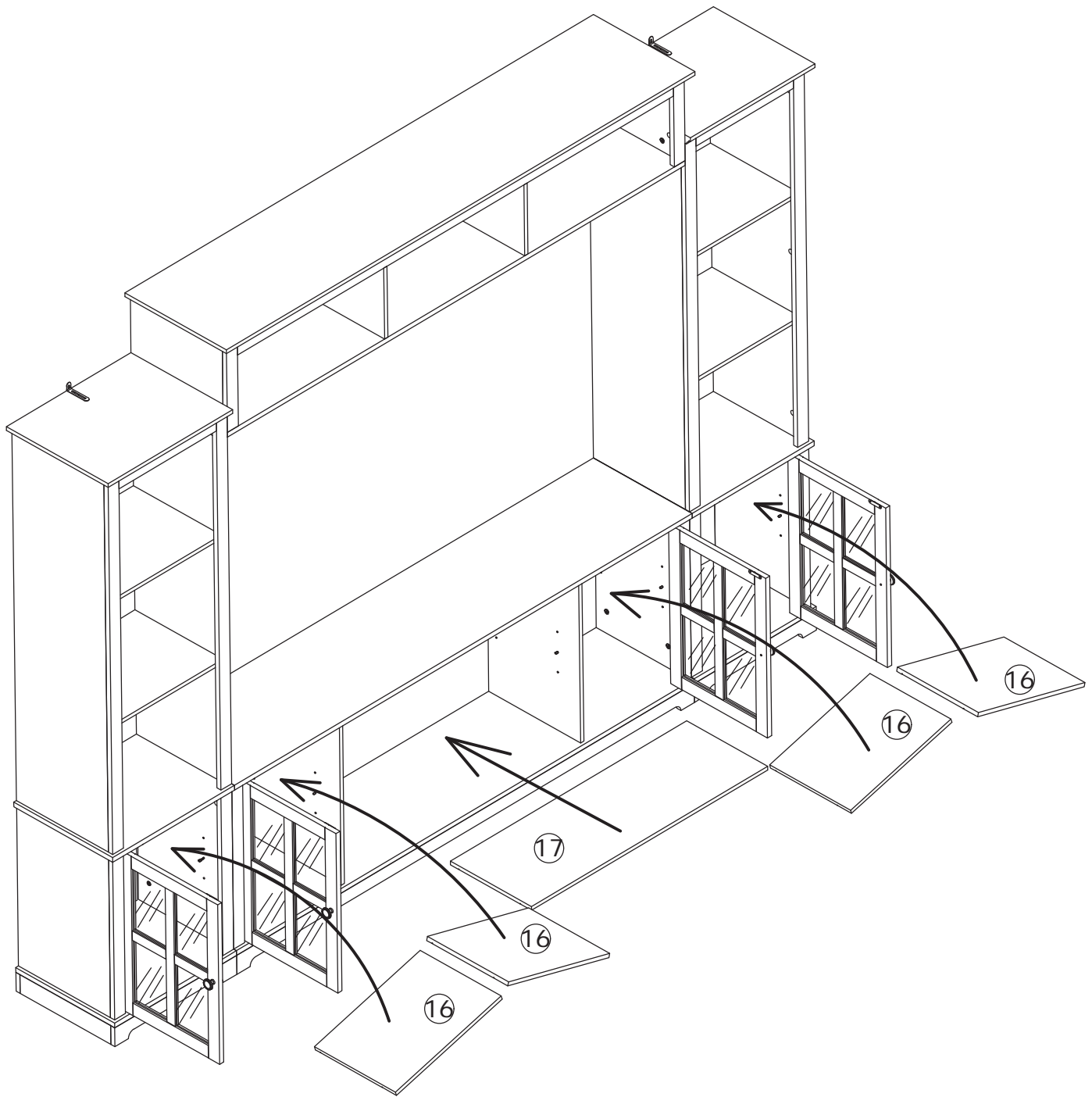


Fix them together using hardware pack(W,X) as shown.



39

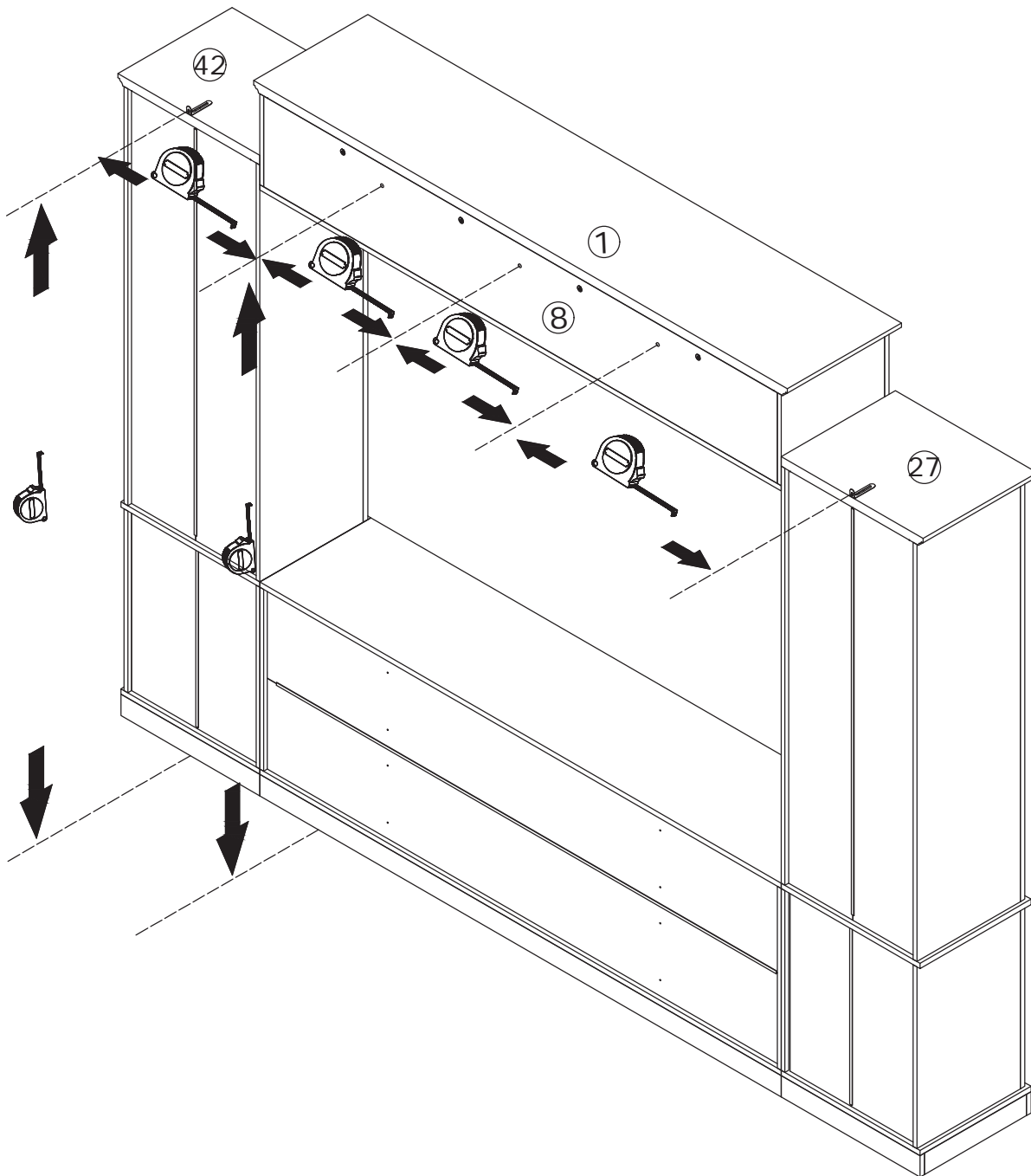
Place shelf 16 and 17 in.



40



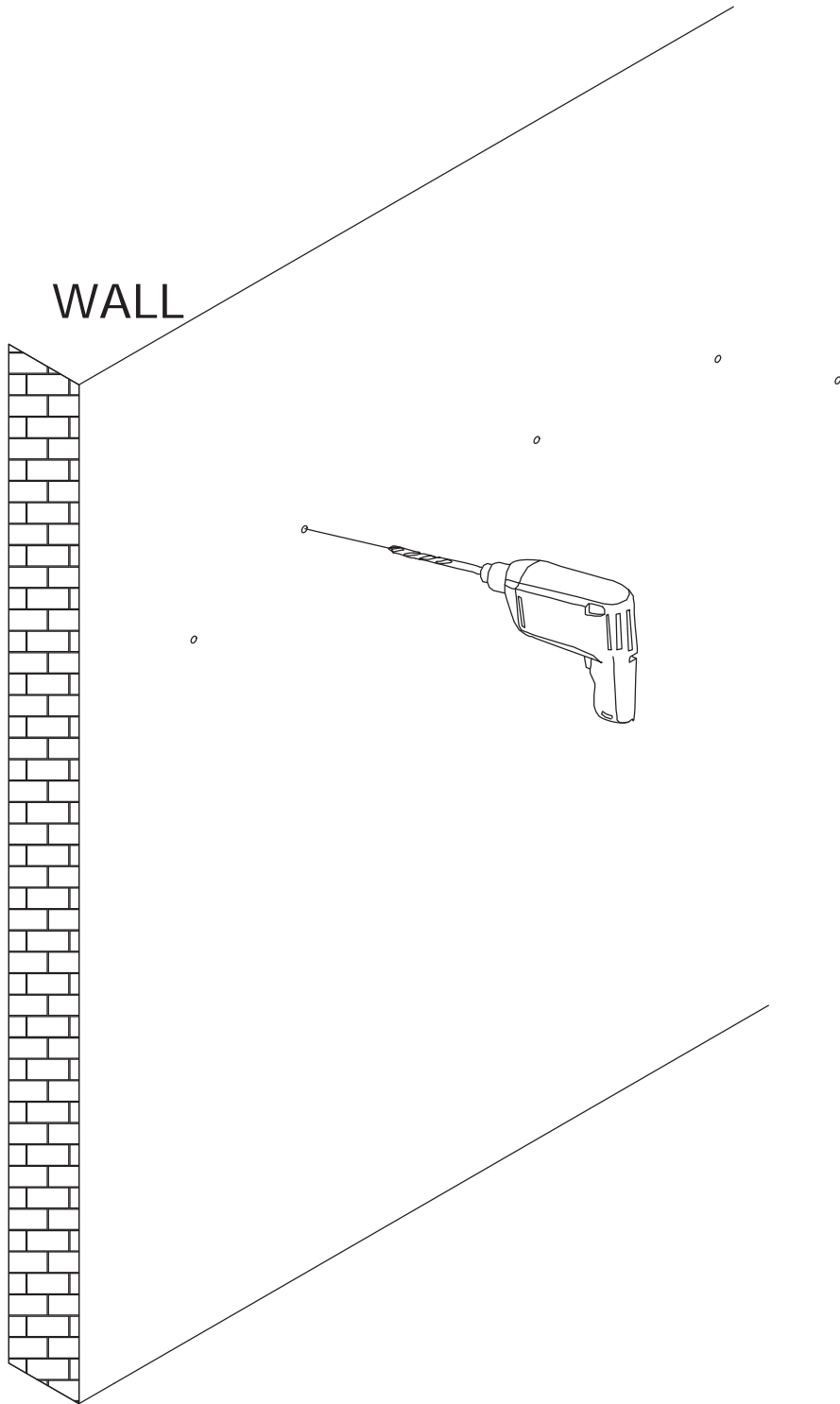
Please measure the distance between these holes and the distance from the hole center to the bottom.



41



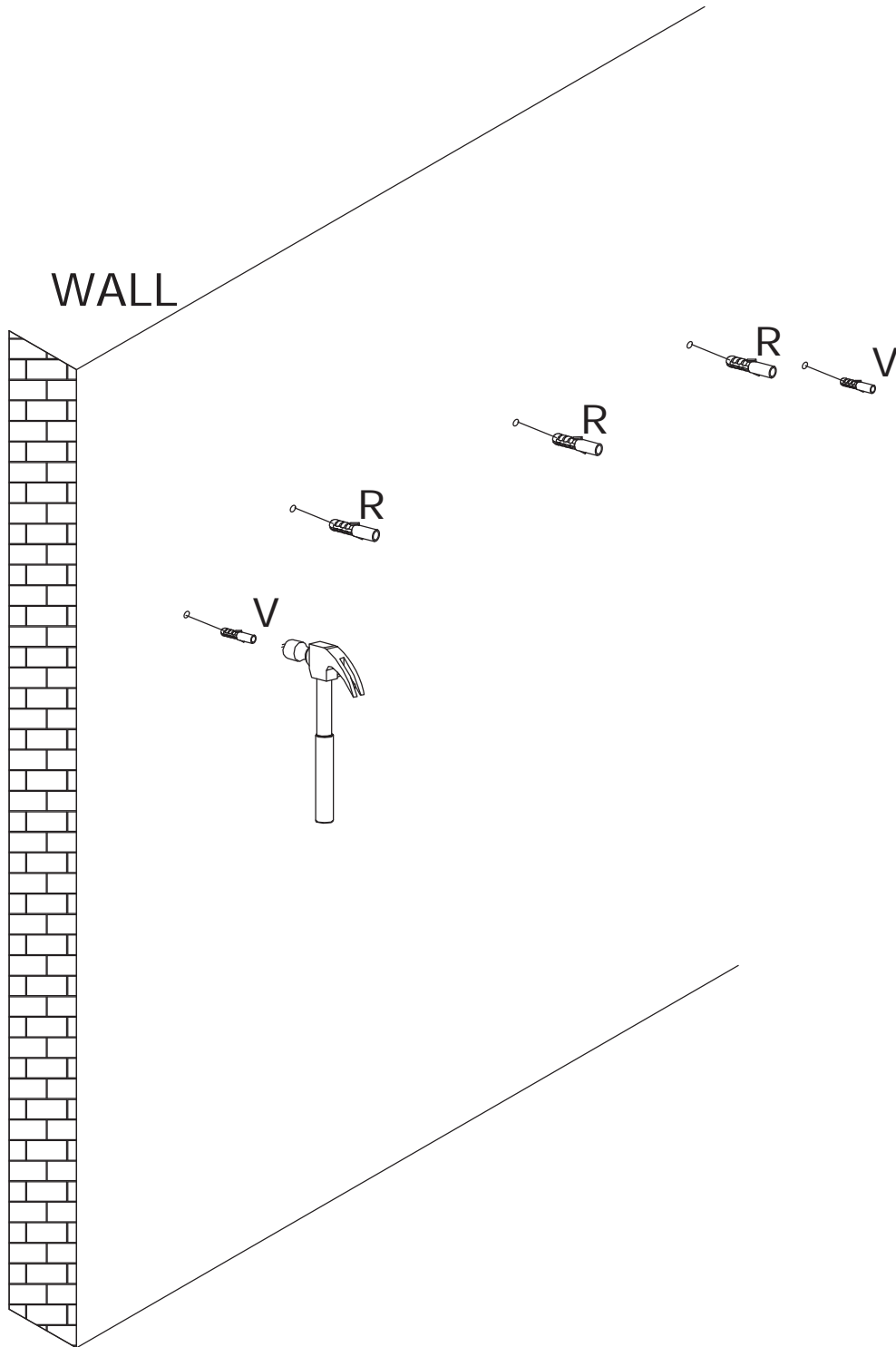
Drill holes on wall.



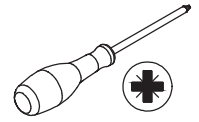
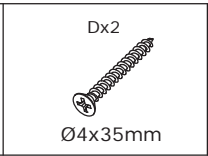
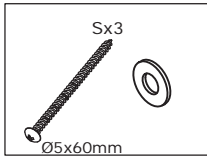
42



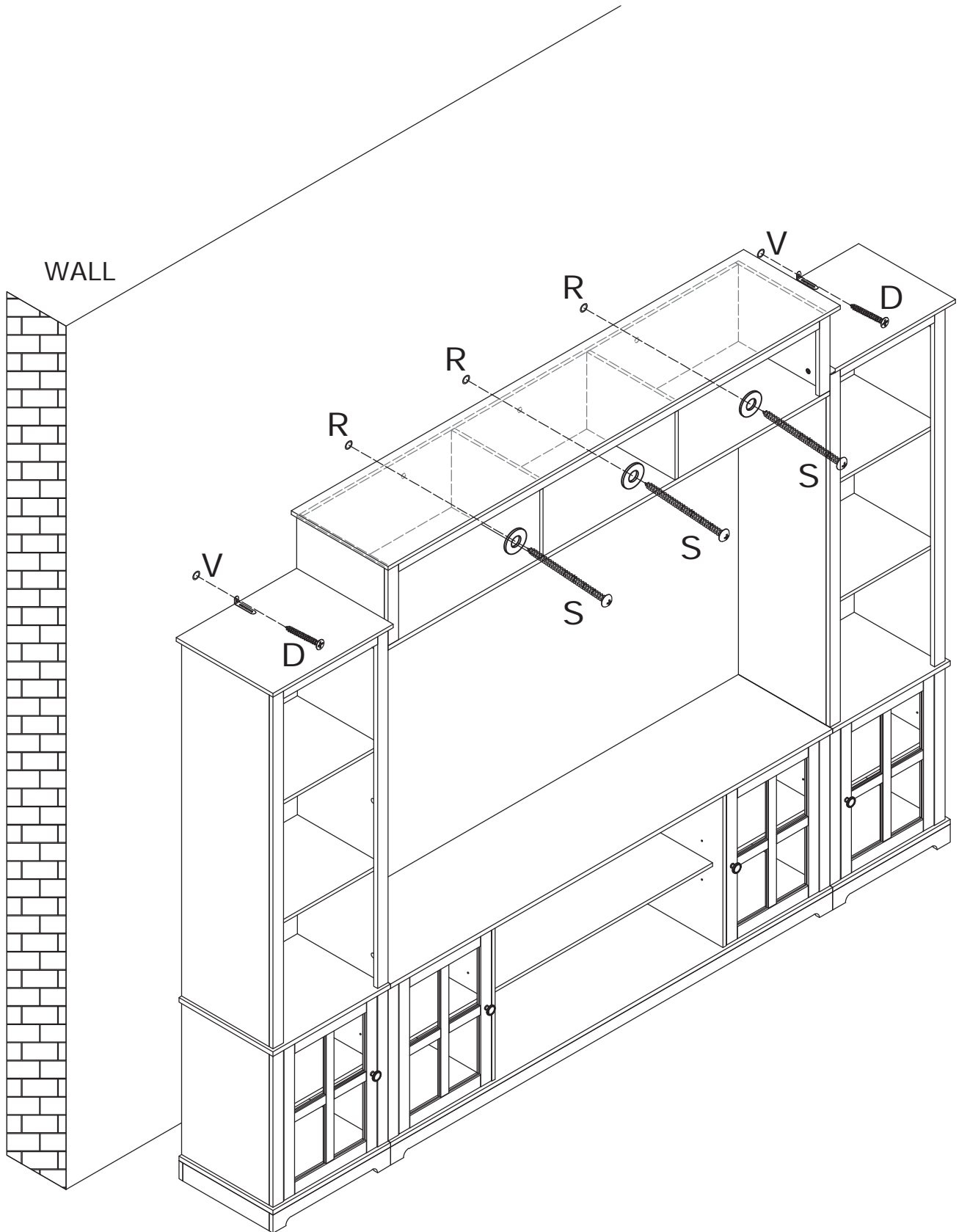
Knock part(R) and (V) into holes.



43



Fix the cabinet to part(R,V) on wall through hardware pack(S,D) as shown.



WARRANTY

WARRANTY CLAIMS

- There is a 30-day warranty for broken furniture or any other problems that do not work properly. The warranty will start from the date of purchase which must be verified by proof of purchase.
- Before making a claim, we may be able to answer your query, simply call us. Please leave your purchase order number, along with some details of the problem, if you want a replacement part. We will arrange within 48 hours. If there is out of stock, we will reply with a shipping date.
- The product must be used in accordance with the instructions provided. For health reasons.
- For other reasons, if the furniture needs to be returned, it must be cleaned and dried and operated within 30 days of receipt.

Type of Warranty Claim

- Failure to follow the furniture instructions will invalidate the warranty. Attention please.
- Does not include damage during installation, but includes damage during transportation.

Scope of responsibility

- Shall not bear any responsibility for misuse or user damage and / or loss of parts during the installation of furniture.
- After using, the damage and scratches of the furniture are not covered by the warranty.

The Warranty Relates to All Bought in The Us and Covers The Following Areas

- Sheet parts: 1 month from the date of purchase.
- Electrical parts: 1 month from the date of purchase.

RETURNS

CHANGED YOUR MIND AND NEED TO RETURN YOU ITEM?

PLEASE FOLLOW THE BELOW INSTRUCTIONS:

- If you have purchased and have simply changed your mind, follow the retailer's instructions for returns.

DEFECTIVE ITEMS

- If your item is defective in any way, i.e. it doesn't work but you can't identify why, in the first instance, please call us.

DAMAGED ITEMS

- If you receive an order with obvious shipping damage from the retailer, then we suggest the delivery is refused. If the delivery has been accepted and then shipping damage is found, please follow the specific instructions advised by the retailer.
In all circumstances please save all packaging material and paperwork for the order. Please be aware that if you dispose of packaging material or attempt to return the merchandise without contacting the fulfiller, you jeopardise your chances of making a claim, and you may not receive a credit for the return.