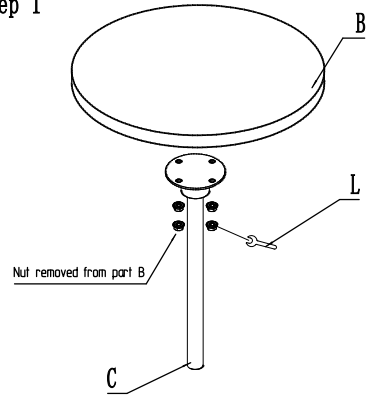


Ax1 	Bx1 	Cx1 	Dx4 	Ex1 	Fx12 	Nx1 
					M6*16mm 	2.0 

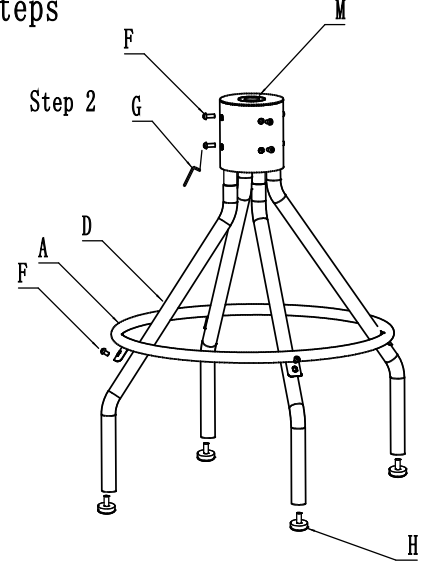
Gx1 	Hx4 	Ix1 	Jx1 	Kx1 	Mx1 
		M30 	12mm 	M6*12mm 	

### Assembly steps

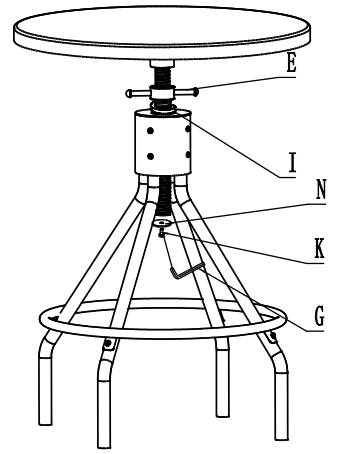
Step 1



Step 2



Step 3

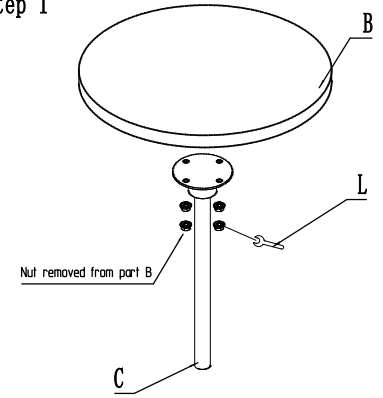


Ax1 	Bx1 	Cx1 	Dx4 	Ex1 	Fx12 	Nx1 
					M6*16mm 	2.0 

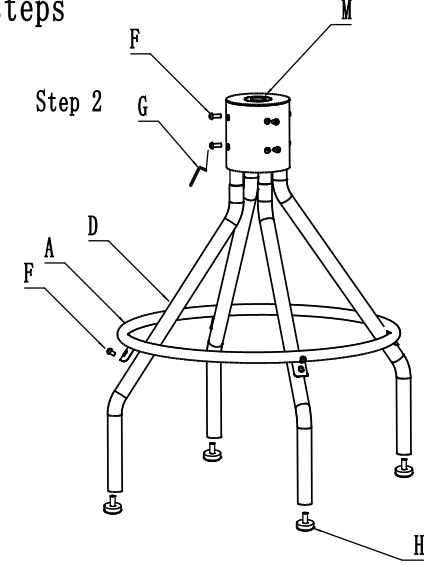
Gx1 	Hx4 	Ix1 	Jx1 	Kx1 	Mx1 
		M30 	12mm 	M6*12mm 	

### Assembly steps

Step 1



Step 2



Step 3

