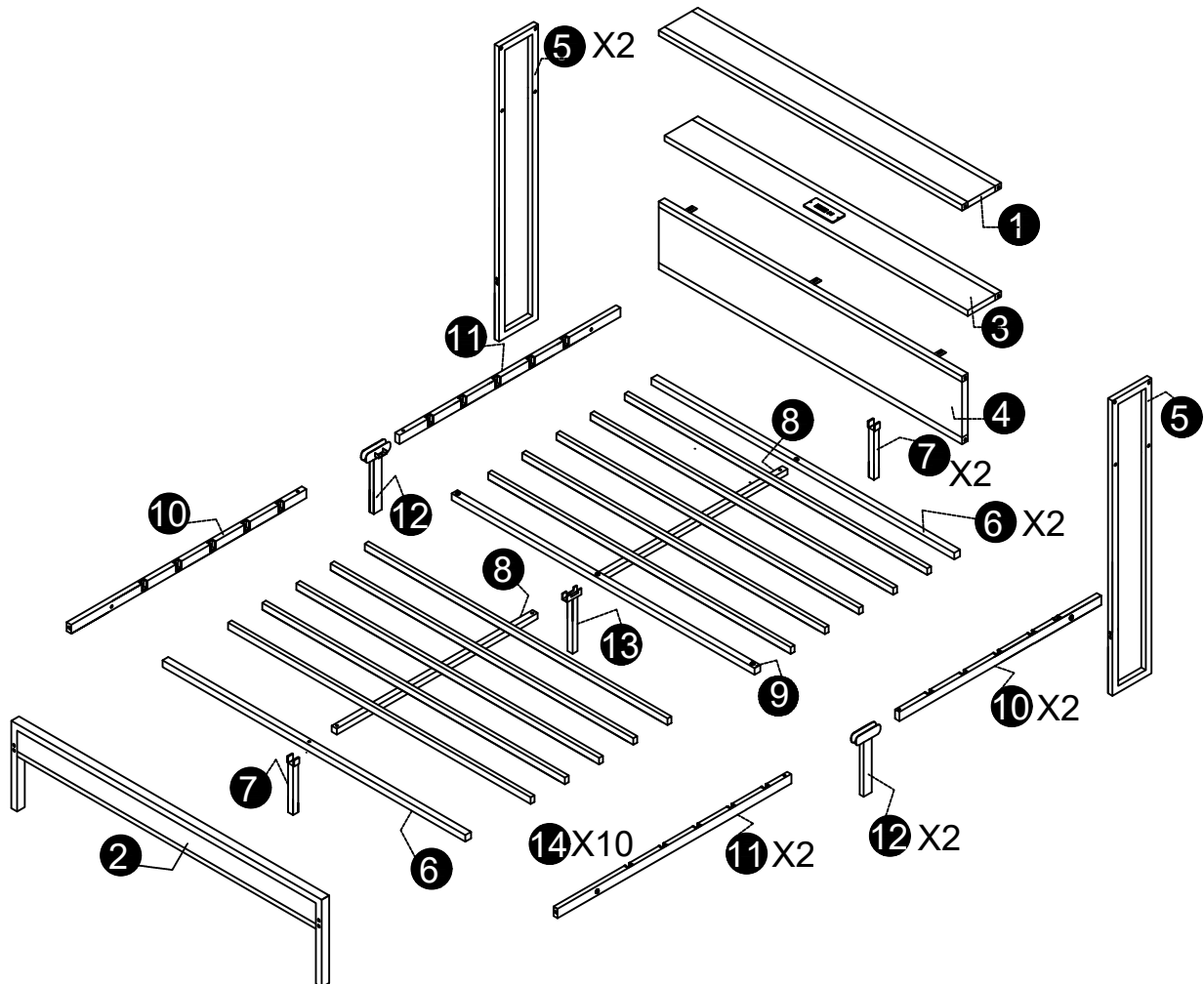
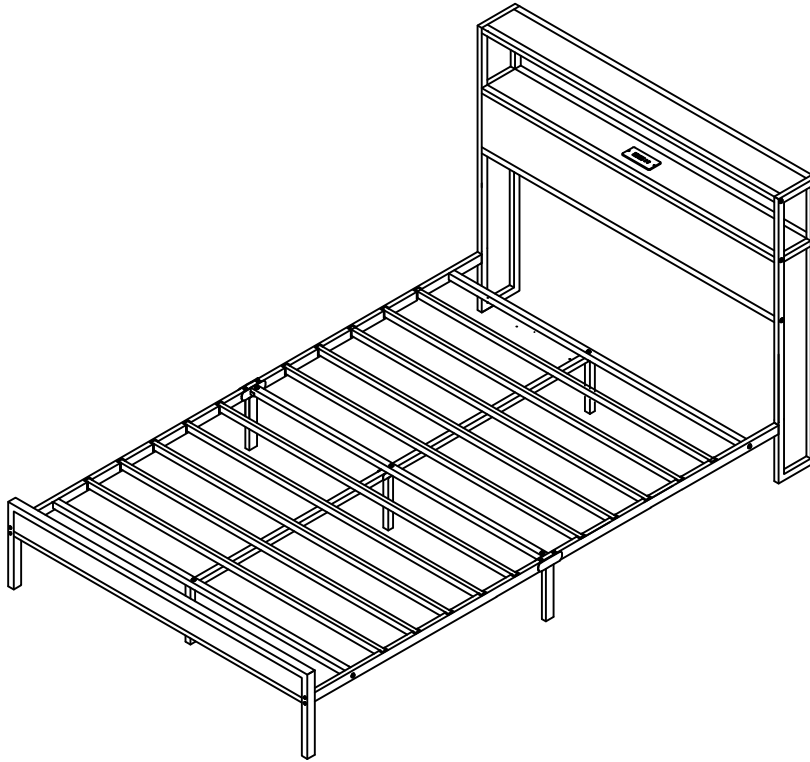

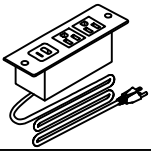

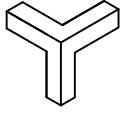



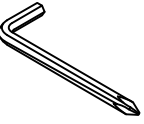
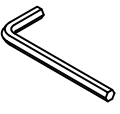
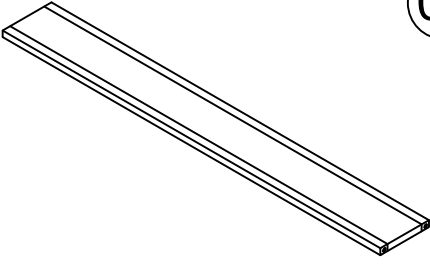
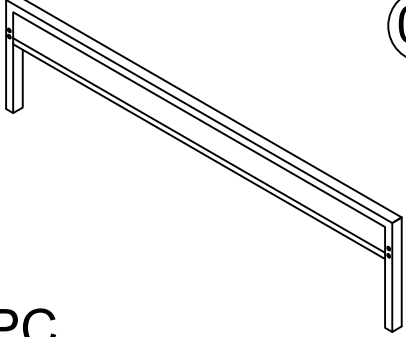
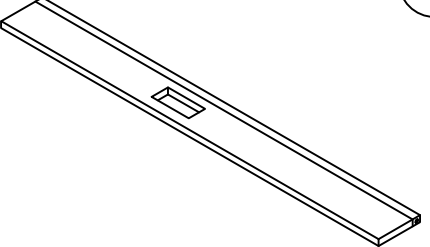
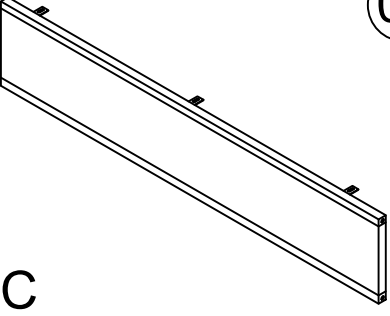
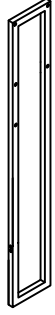
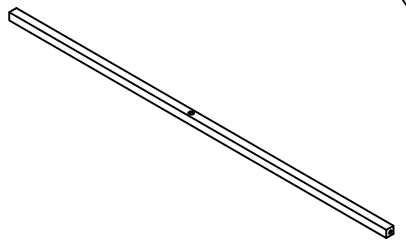
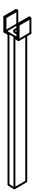
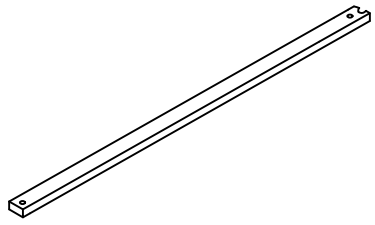
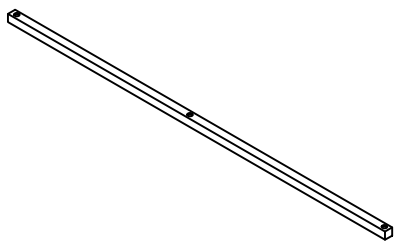


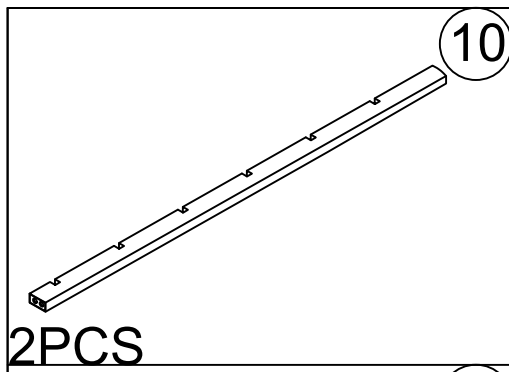
# QUEEN&FULL BED ASSEMBLY

Please don't tighten the screws completely and go back later for a final tightening of all the screws after pieces are aligned with each other.



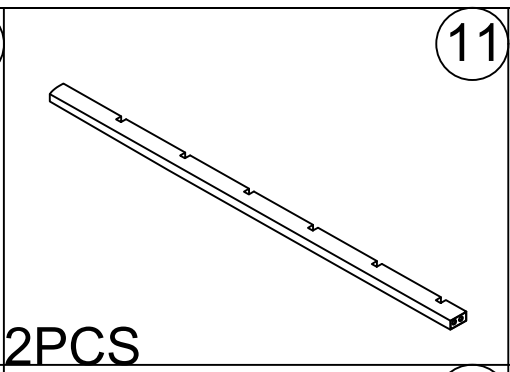
A		M8*40mm	12PCS	I		1PC
B		M8*55mm	7PCS	M		4PCS
C		M6*40mm	14PCS			
D		M6*12mm	3PCS			
E		M4*12mm	2PCS			
G		M5	1PC			
H		M4	1PC			

 1PC	 1PC	 1PC
 1PC	 2PCS	 2PCS
 2PCS	 2PCS	 1PC



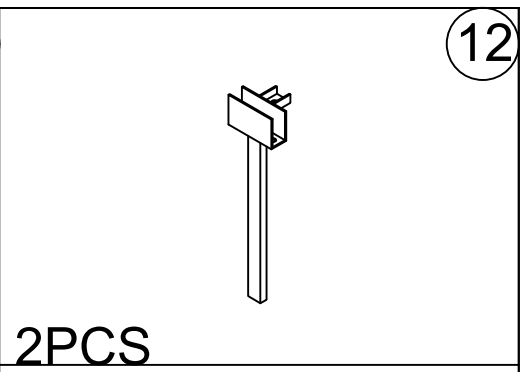
10

2PCS



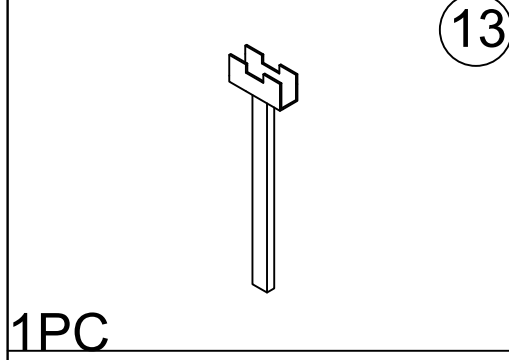
11

2PCS



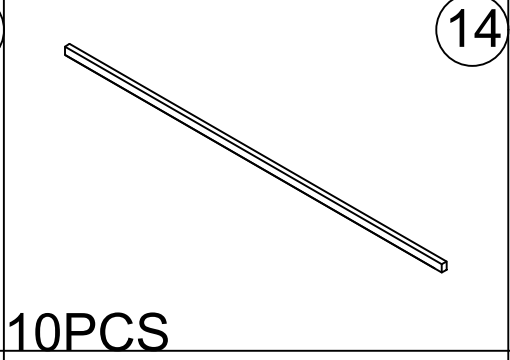
12

2PCS



13

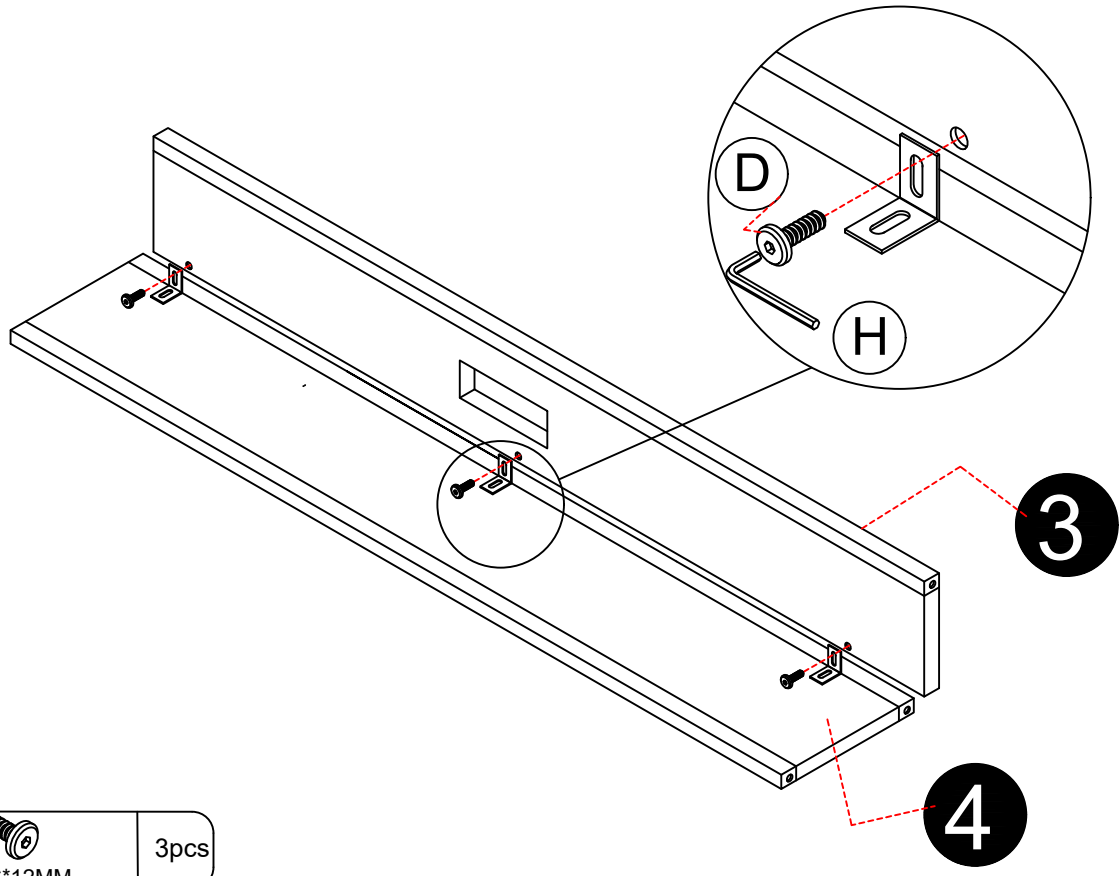
1PC

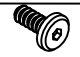



14

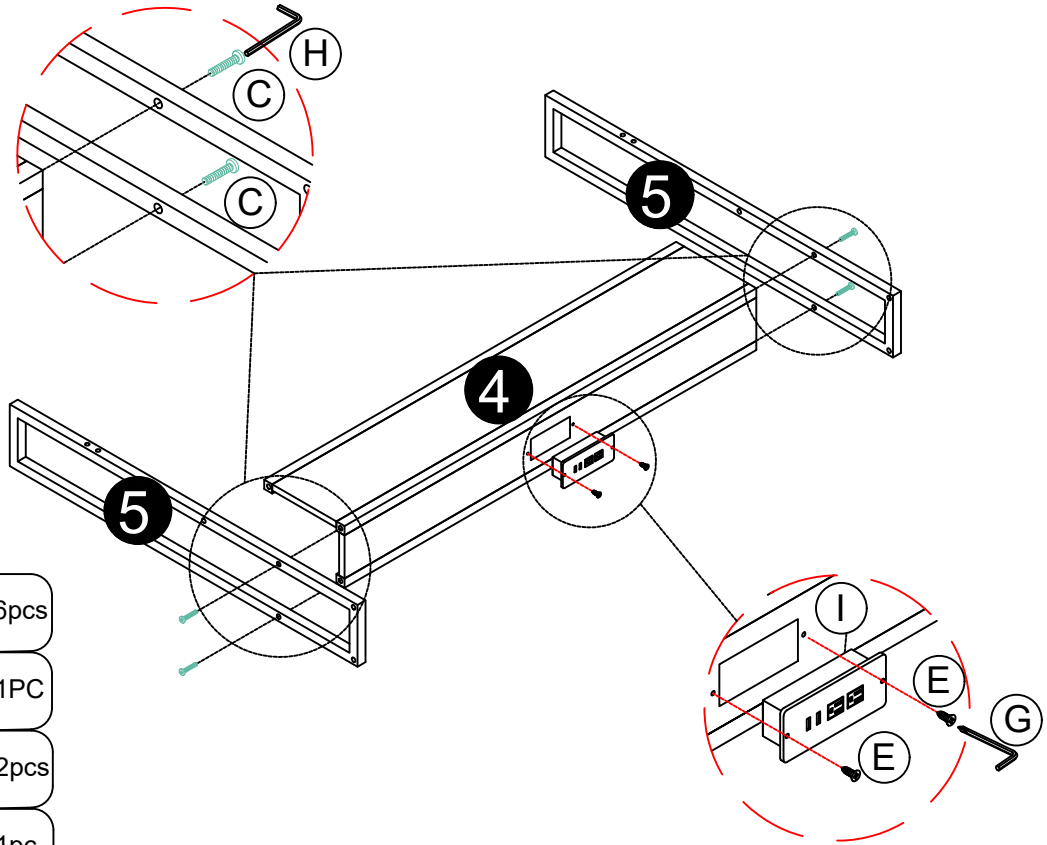
10PCS




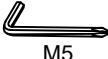

# Step 1



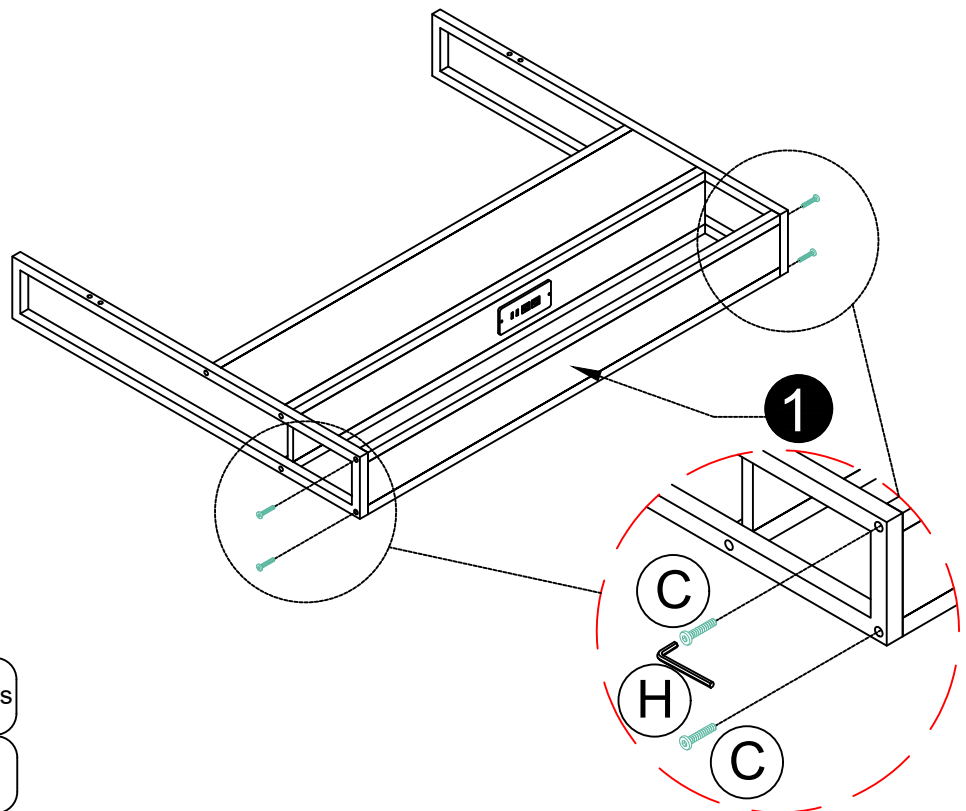
D	 M6*12MM	3pcs
H	 M4	1pc



# Step 2



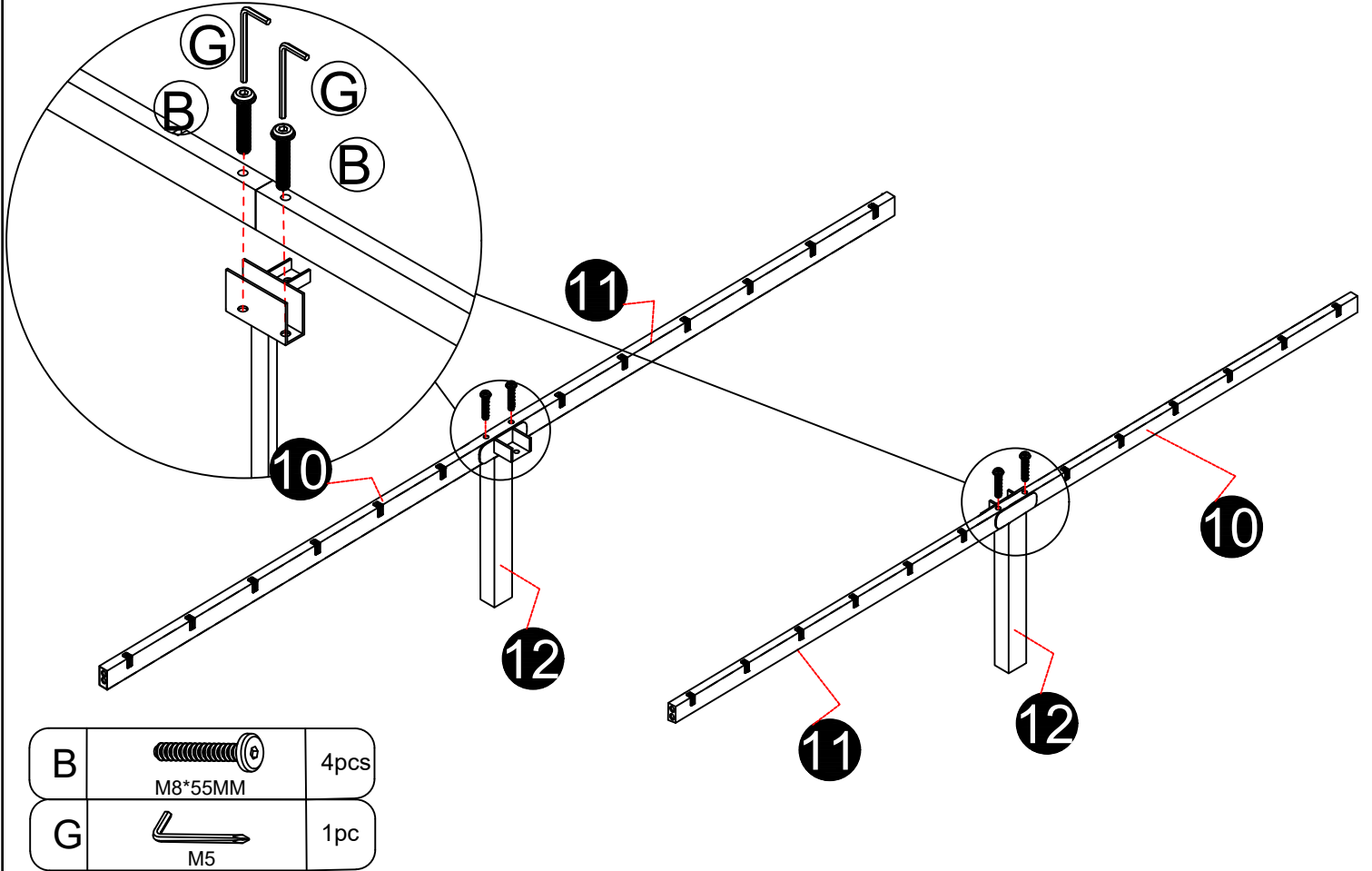
C	 M6*40MM	6pcs
I		1PC
E	 M4*12MM	2pcs
G	 M5	1pc
H	 M4	1pc

# Step 3

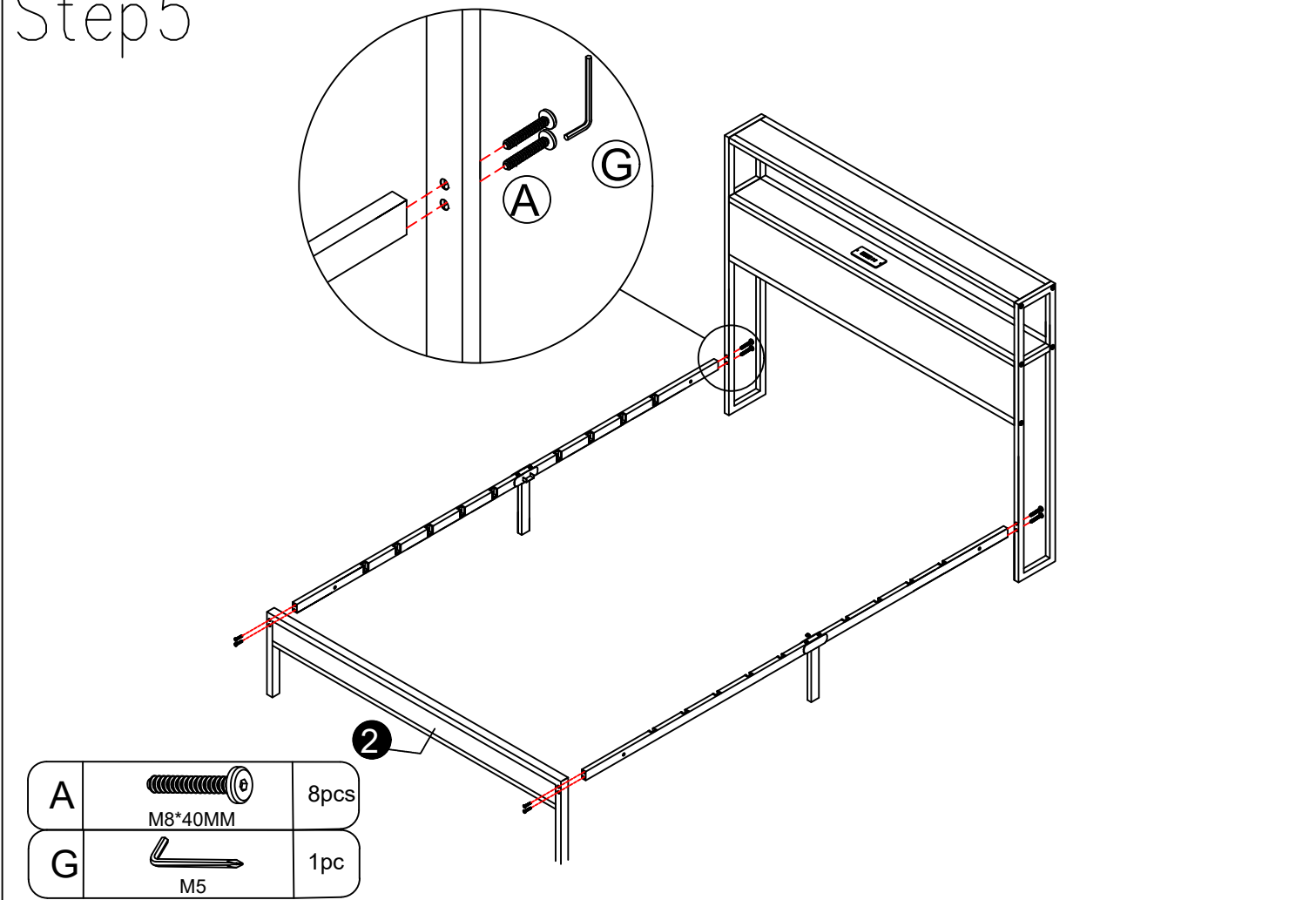


C	 M6*40MM	4pcs
H	 M4	1pc

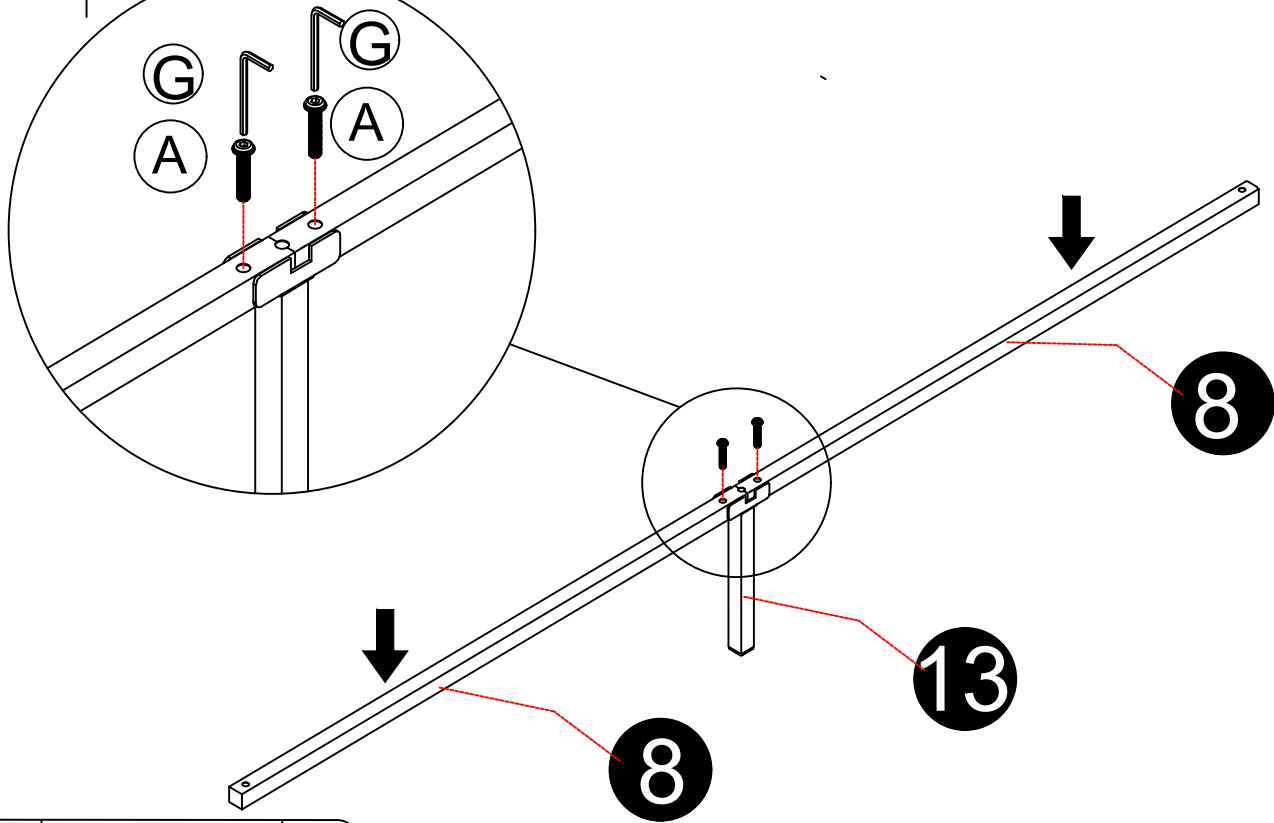
# Step 4





# Step 5

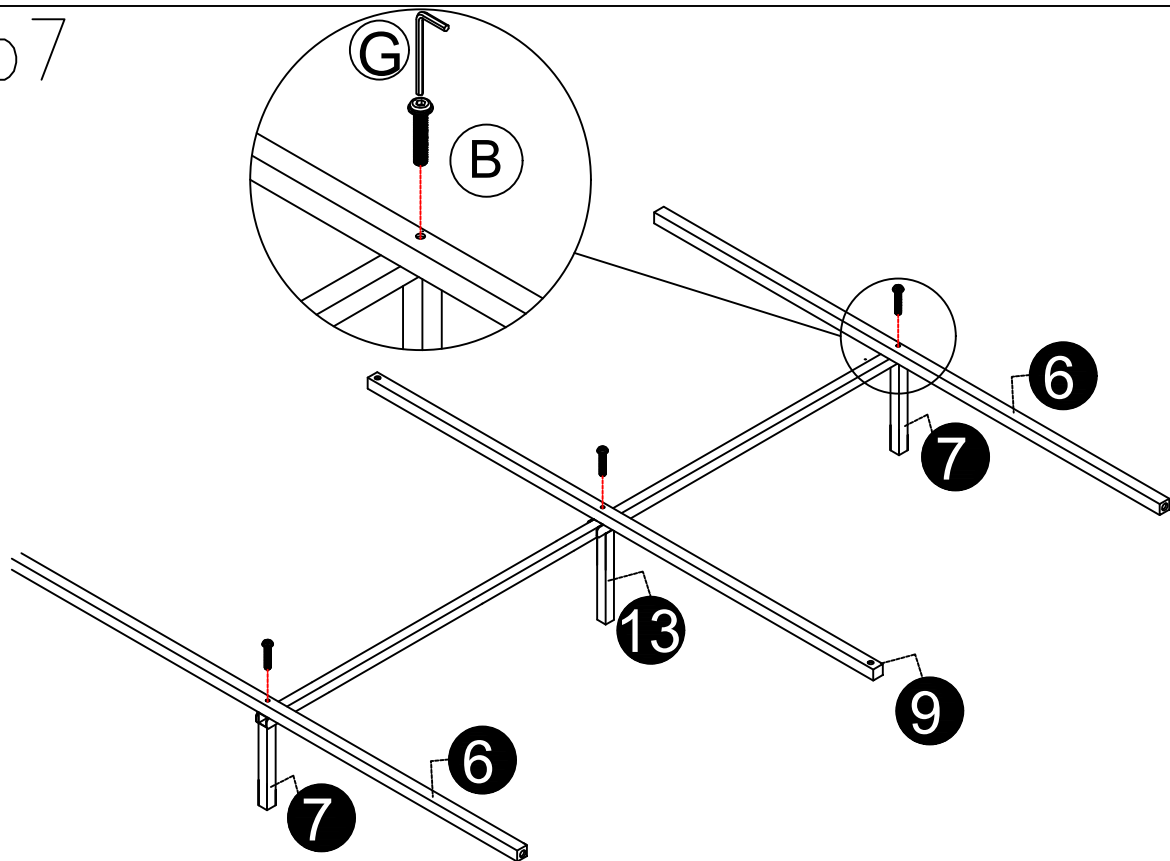



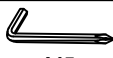
# Step 6



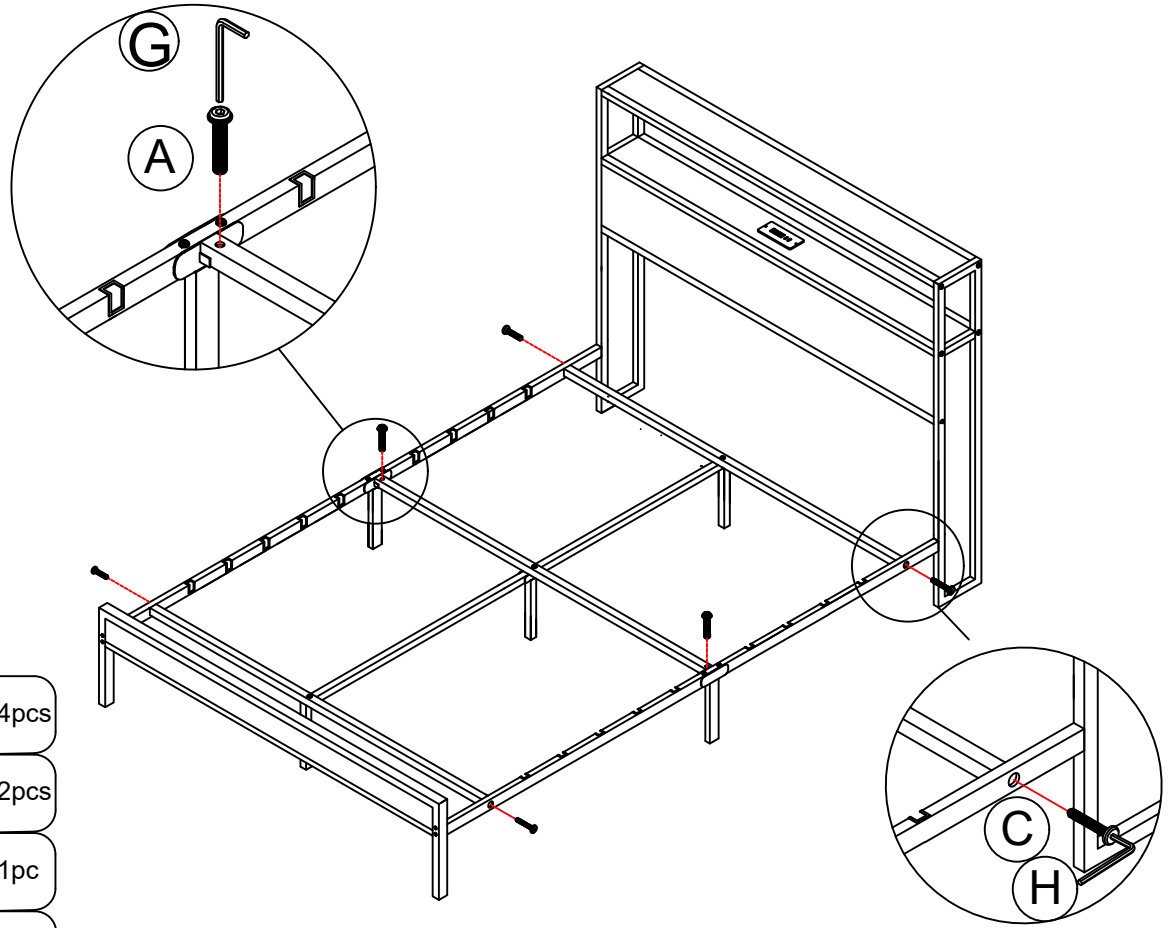
A	 M8*40MM	2pcs
G	 M5	1pc





# Step 7



B	 M8*55MM	3pcs
G	 M5	1pc

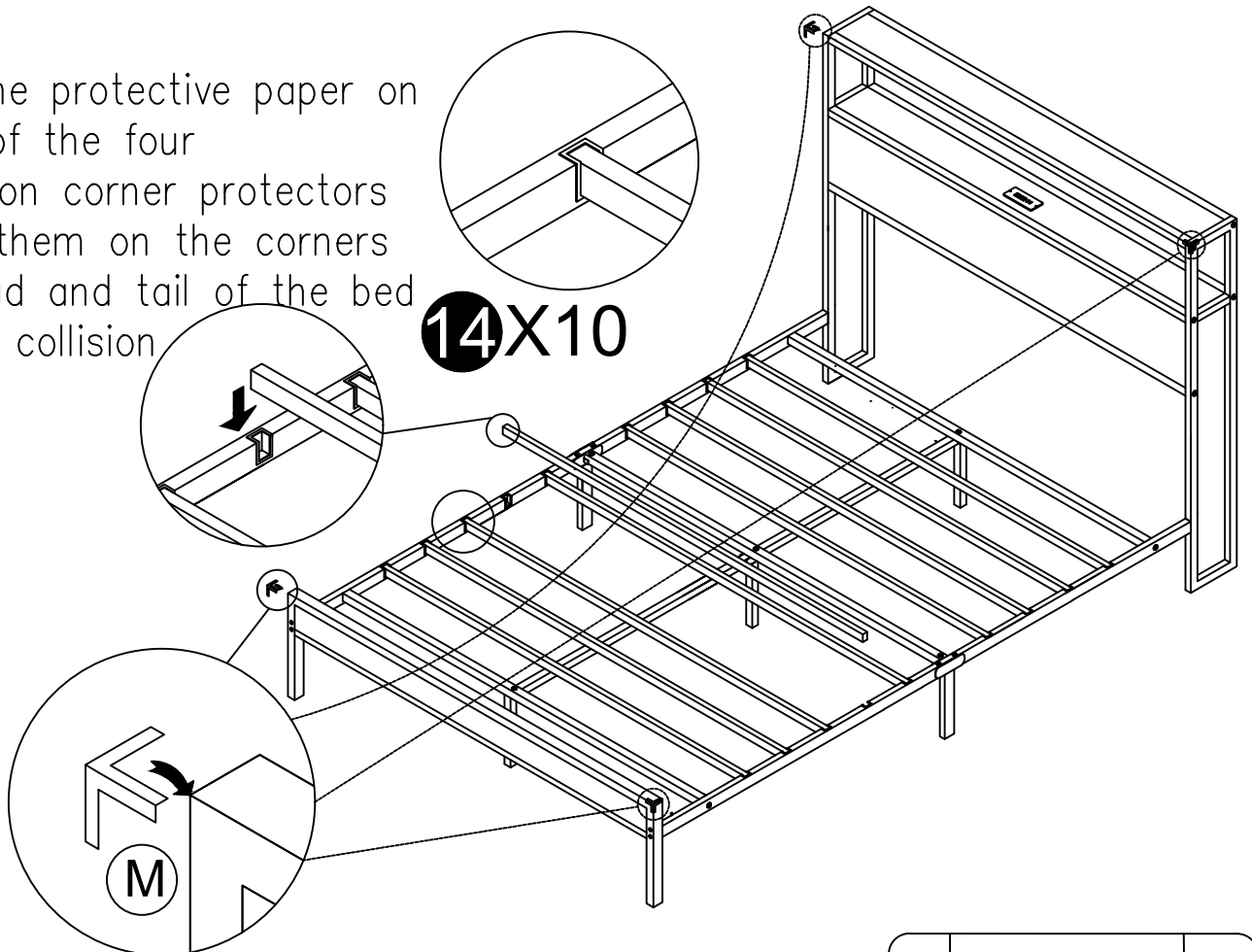
# Step 8



C	 M6*40MM	4pcs
A	 M8*40MM	2pcs
G	 M5	1pc
H	 M4	1pc

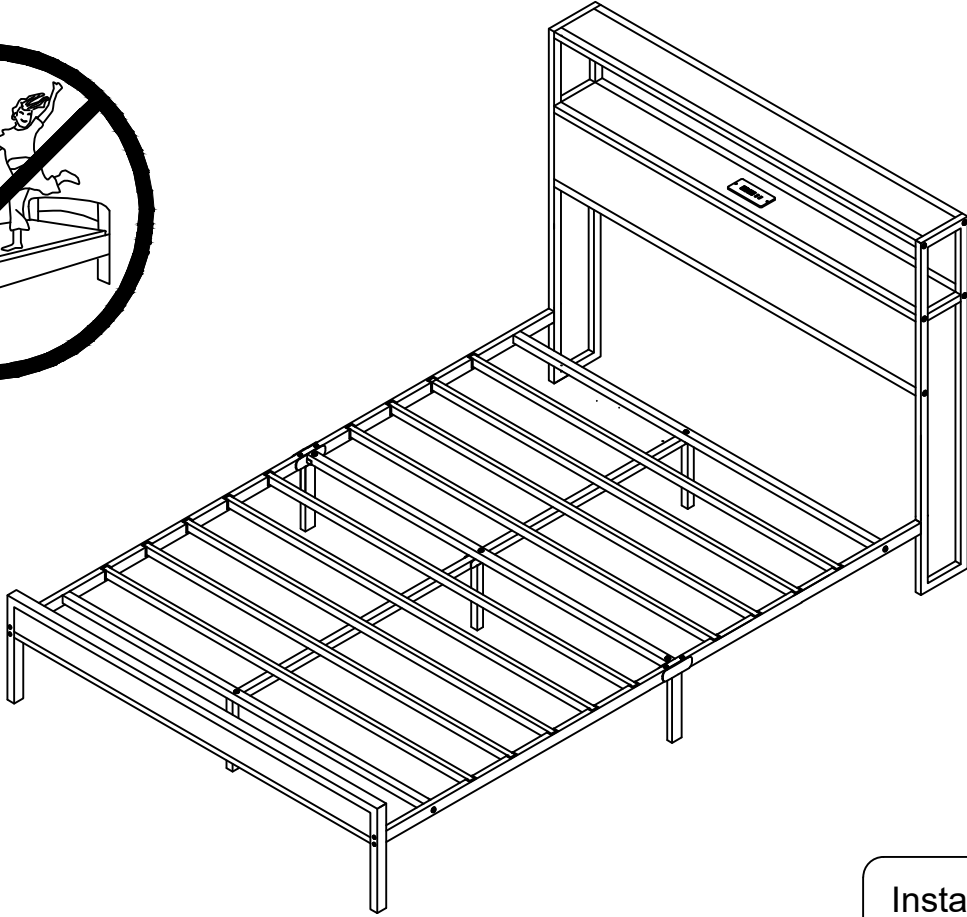
# Step 9

Tear off the protective paper on the back of the four anti-collision corner protectors and stick them on the corners at the head and tail of the bed to prevent collision



M		4pcs
---	---	------

# Step 10



Installation Complete