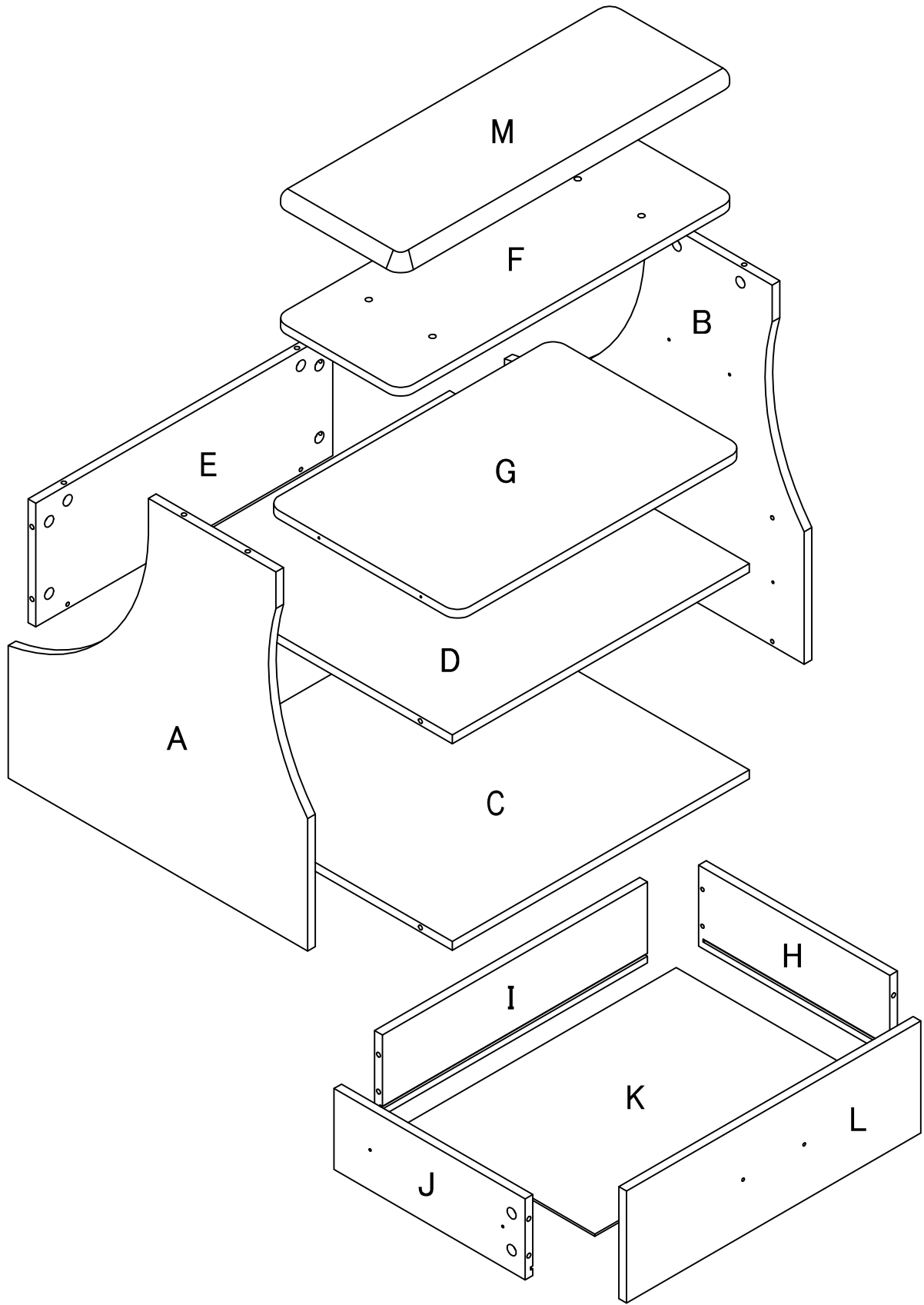
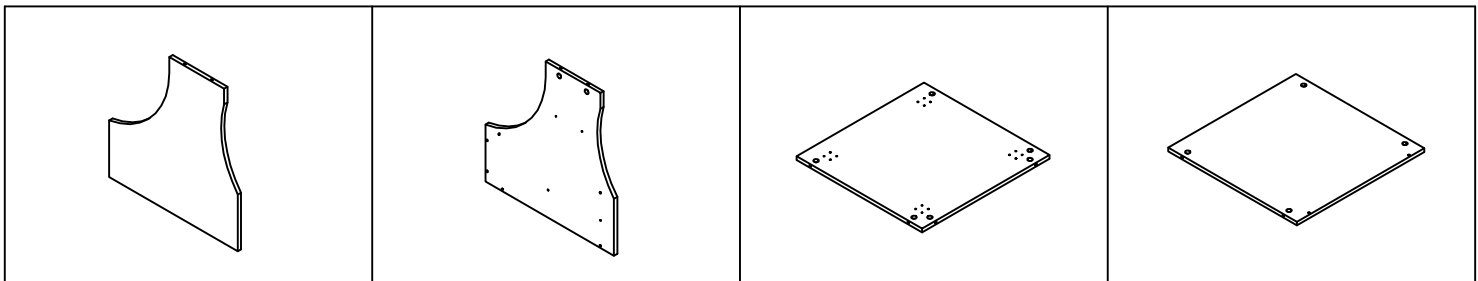


Instruction manual





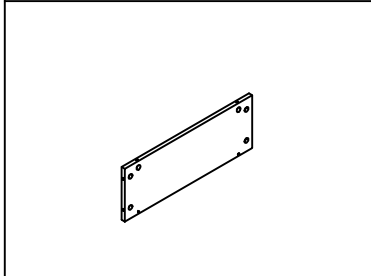


A × 1

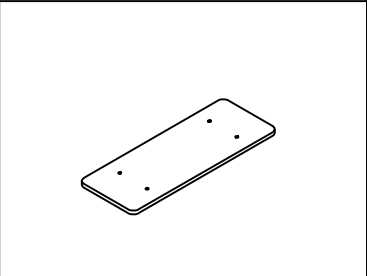
B × 1

C × 1

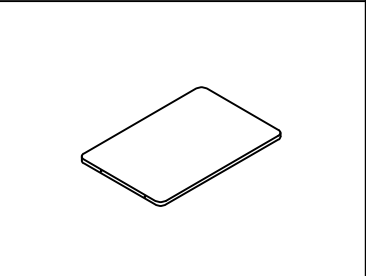
D × 1



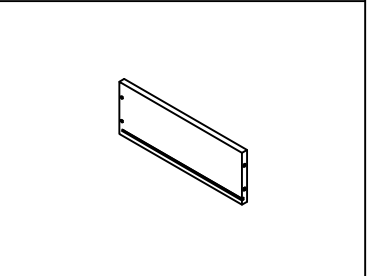
E × 1



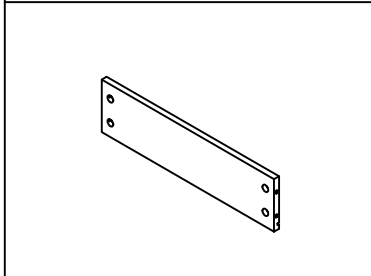
F × 1



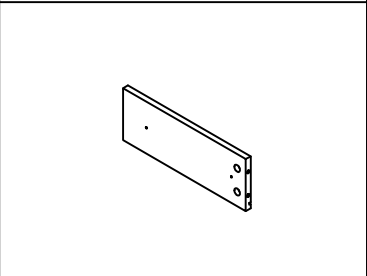
G × 1



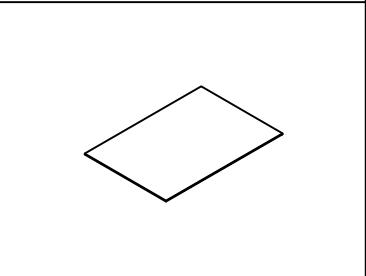
H × 1



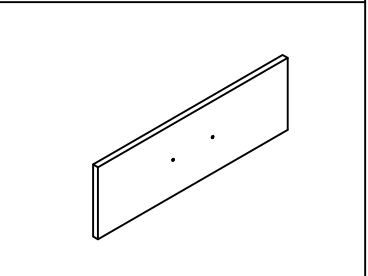
I × 1



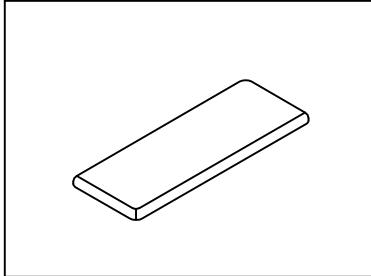
J × 1



K × 1

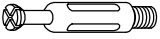


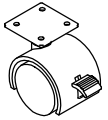


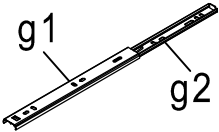
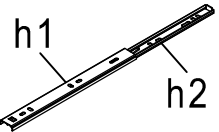



L × 1



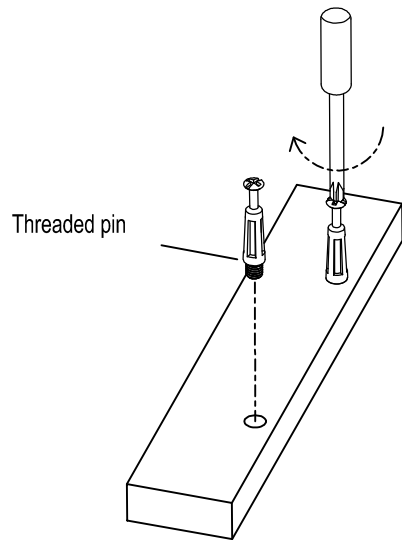
M × 1



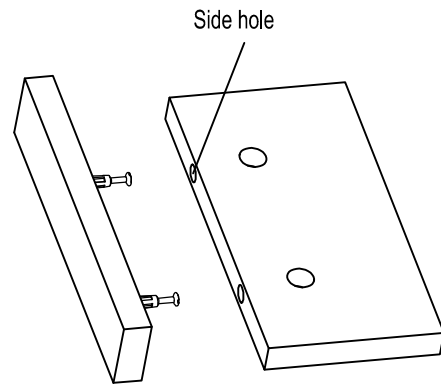
			
<p>a×28pcs</p>	<p>b×28pcs</p>	<p>c×32pcs</p>	<p>d×4pcs</p>
		 <p>g1 g2</p> <p>240cm</p>	 <p>h1 h2</p> <p>300cm</p>
<p>e×2pcs</p>	<p>f×1pc</p>	<p>g×1set</p>	<p>h×1set</p>
			
<p>i×4pcs</p>			

Installation Method for Connecting boards

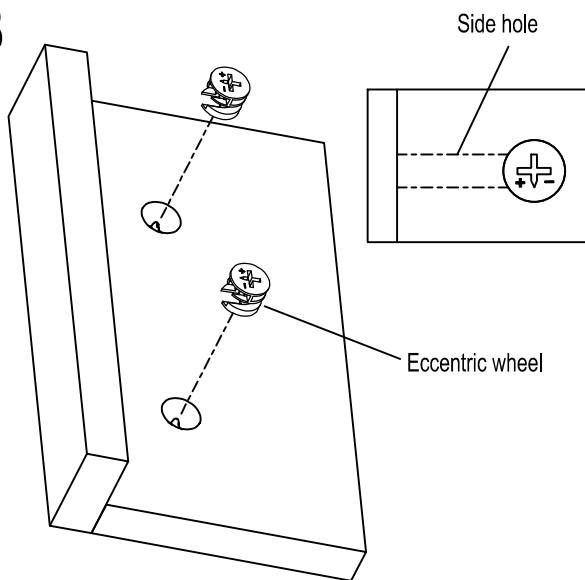
1



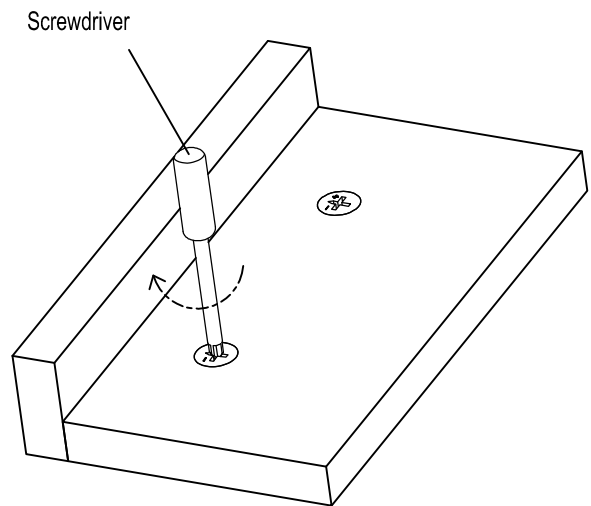
2



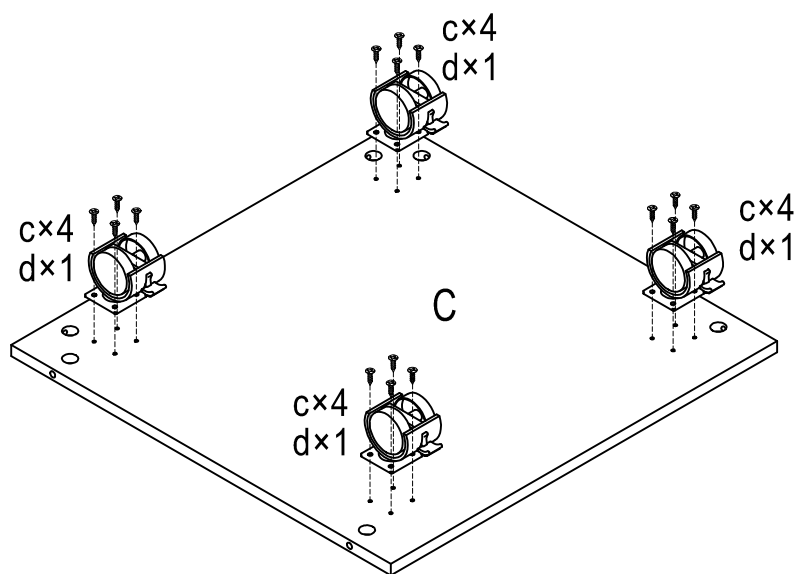
3



4

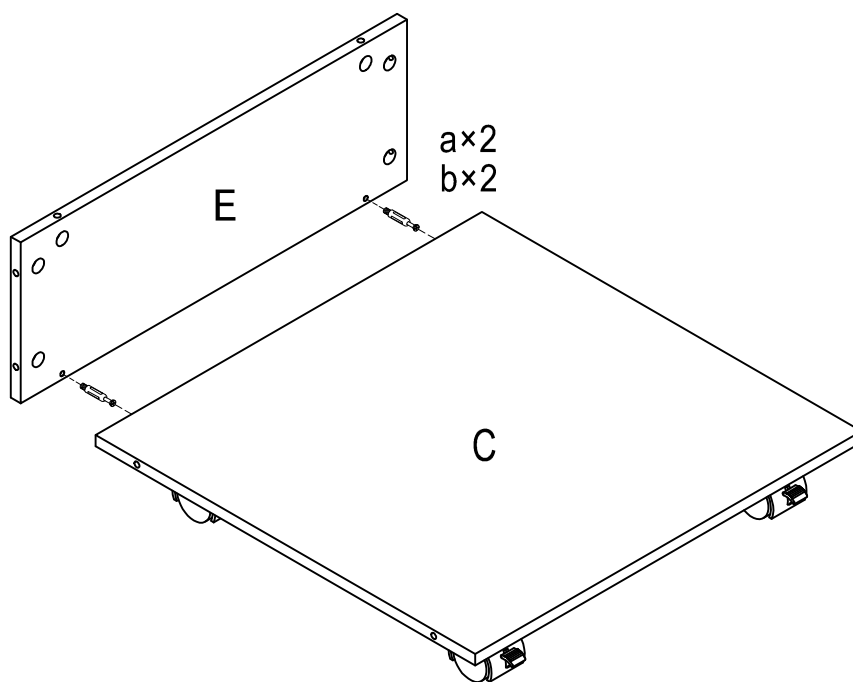


1



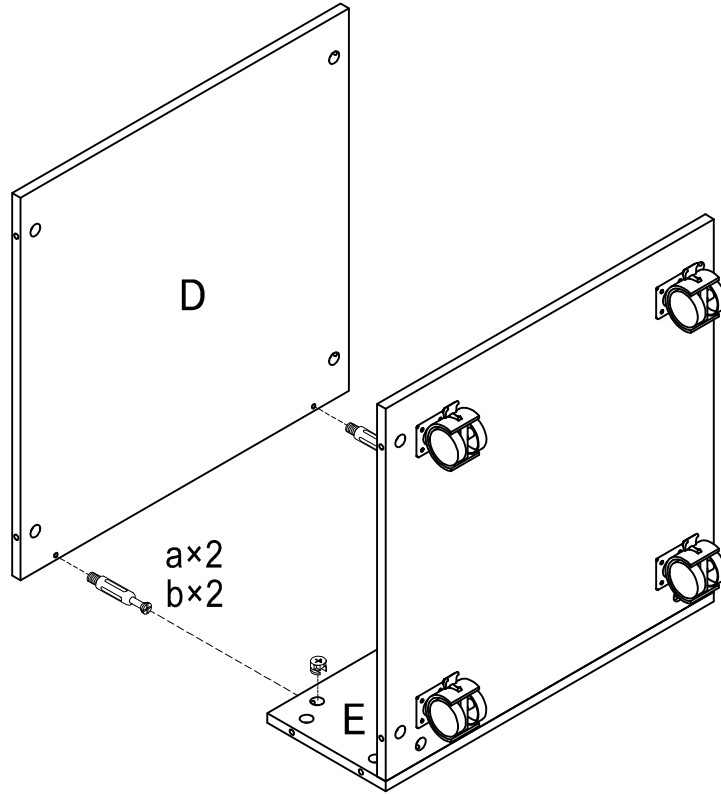
c x 16	d x 4
--------	-------

2



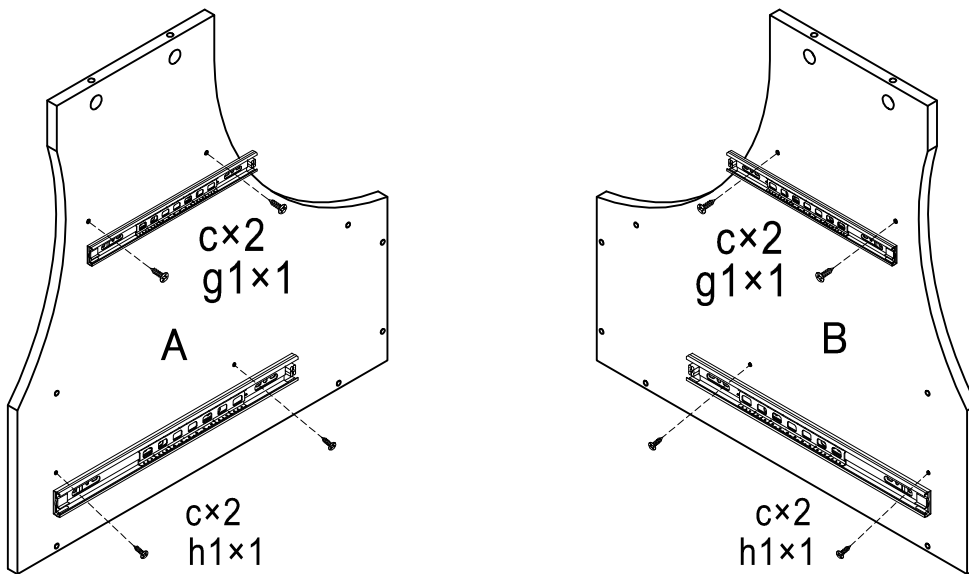
a x 2	b x 2
-------	-------

3



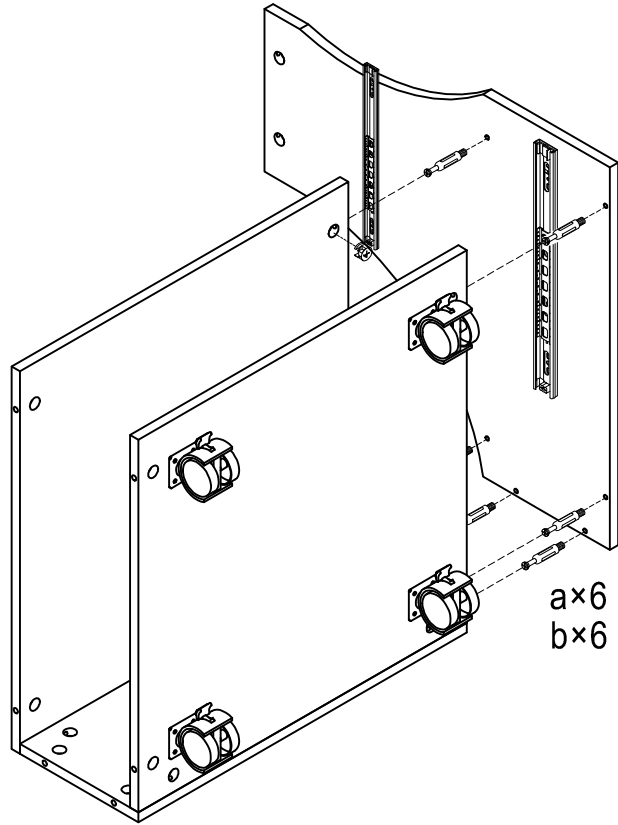
a x 2	b x 2
-------	-------

4



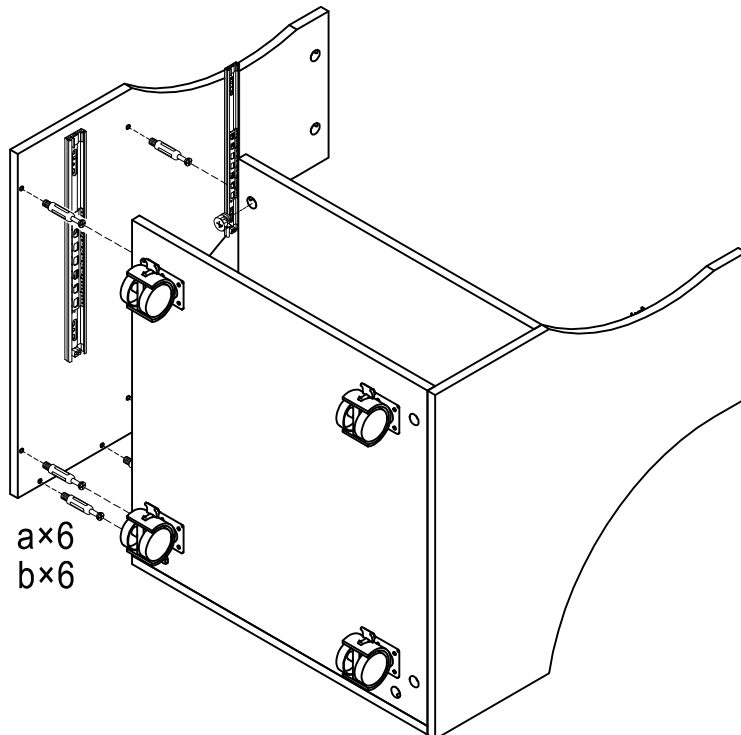
c x 8	g1 x 2	h1 x 2
-------	--------	--------

5



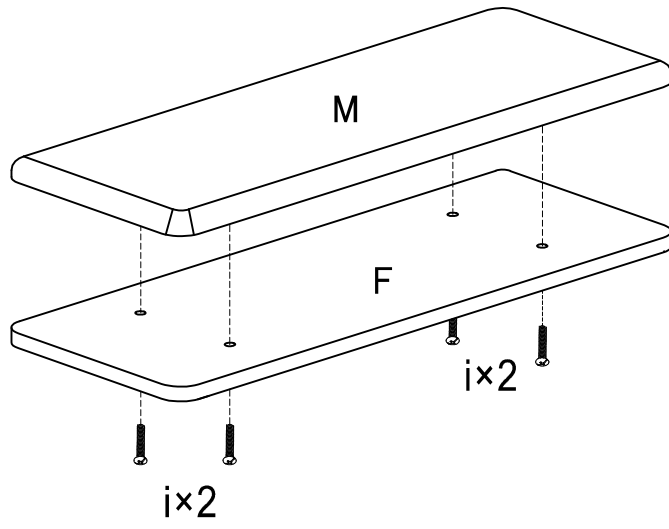
$a \times 6$	$b \times 6$
--------------	--------------

6



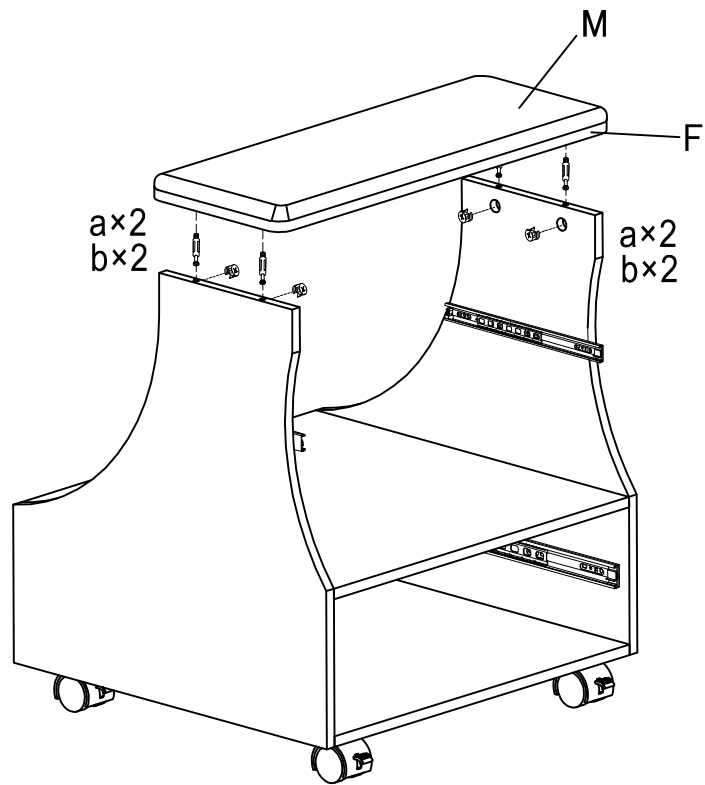
$a \times 6$	$b \times 6$
--------------	--------------

7



i x 4

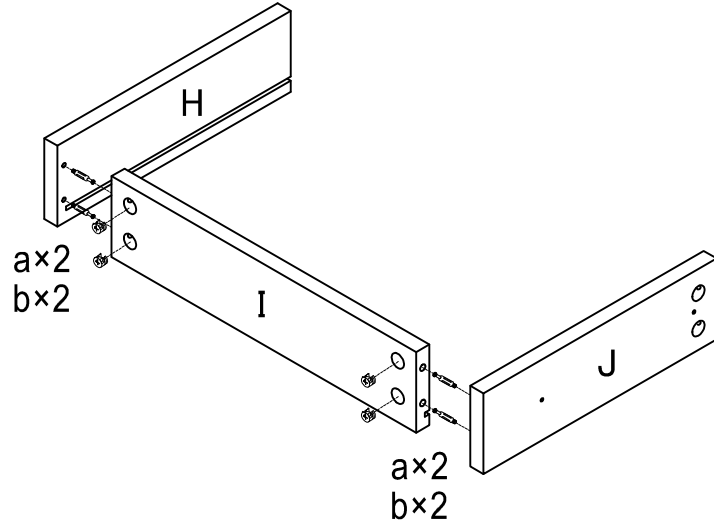
8



a x 4

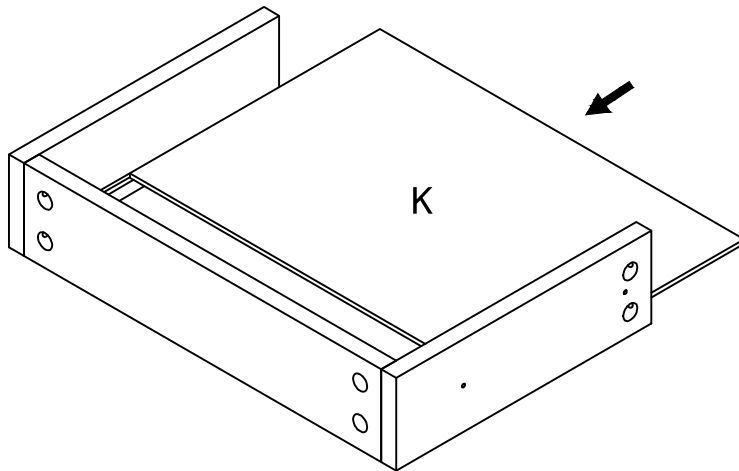
b x 4

9

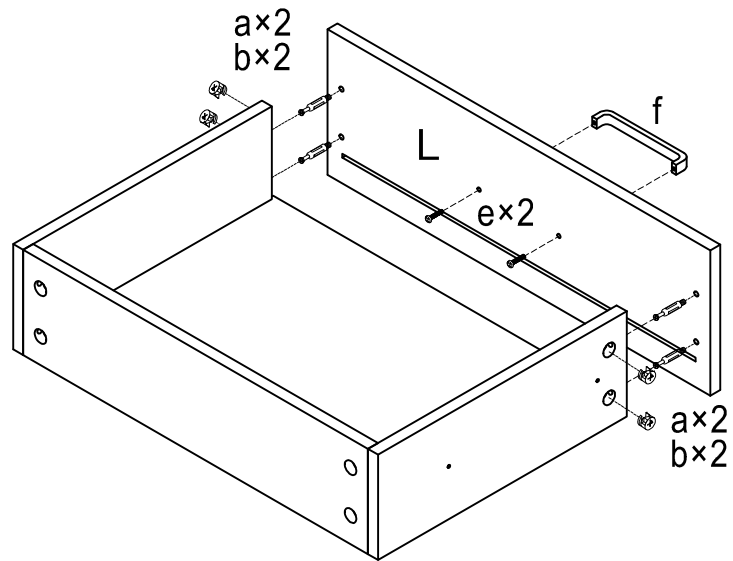


$a \times 4$	$b \times 4$
--------------	--------------

10

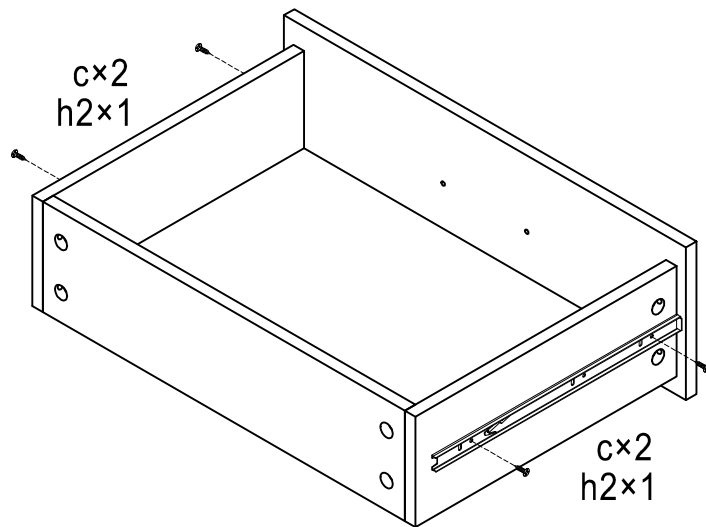


11



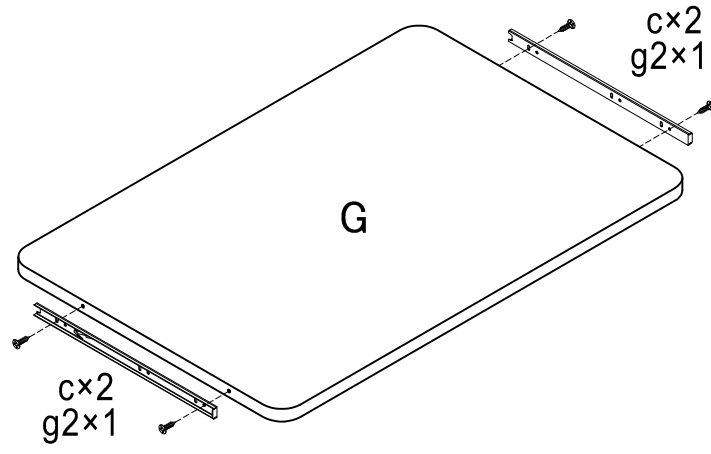
$a \times 4$	$b \times 4$
--------------	--------------

12



$c \times 4$	$h_2 \times 2$
--------------	----------------

13



c x 4	g2 x 2
-------	--------

14

