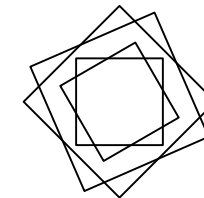
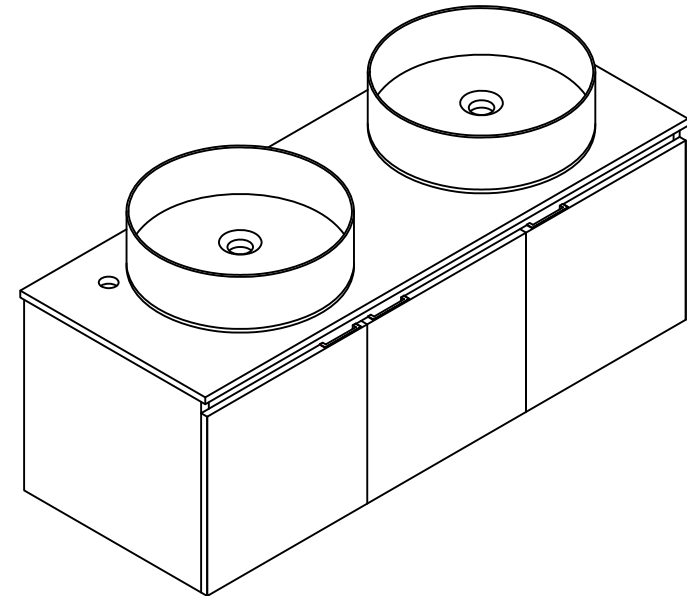


**Installation Manual-BV C10248**

**MOTIVATE  
YOUR LIFE !**

## THANKS FOR WATCHING

Your feedback is invaluable to us and we would love to hear about your experience. Please take the time to leave us a review.











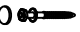

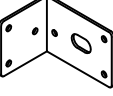


## Thank you for shopping with us!

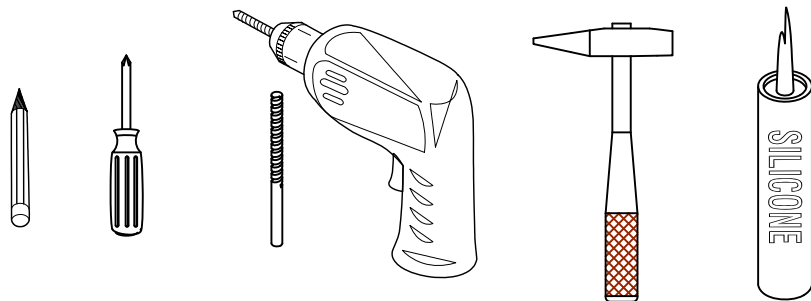
We encourage you to take a few minutes to go through this booklet. It contains important information on installation and care tips to keep your furniture looking as good as new.

# Item NO.:BV C10248

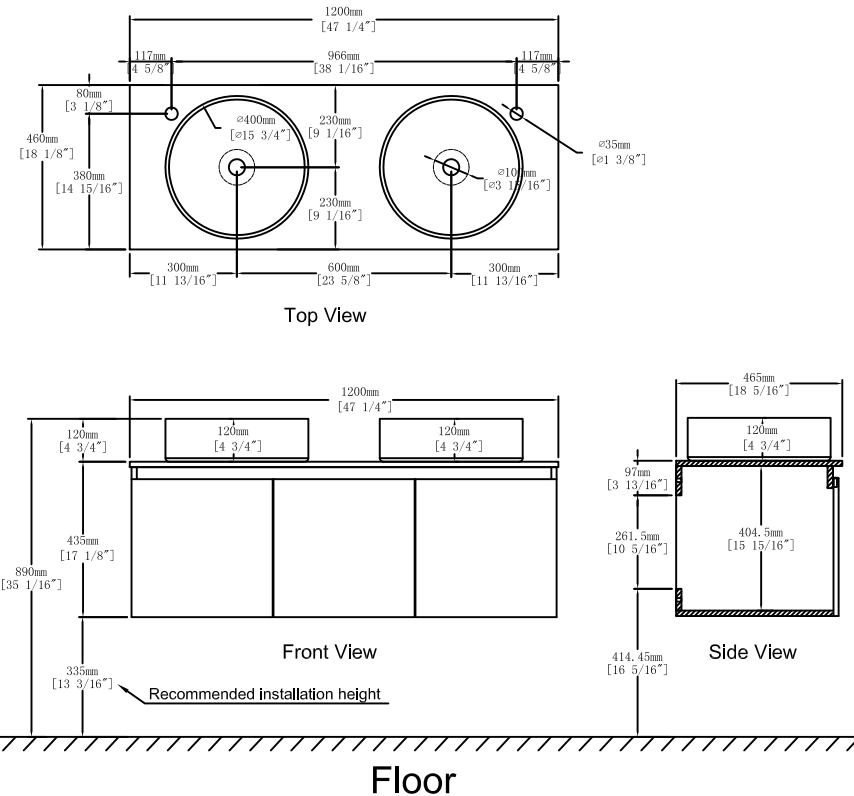
## Hardware

NO.	Draw	QTY	NO.	Draw	QTY
A	 Screws Ø4x14mm	56	H	 Bracket (19x19x35mm)	2
B	 Two-in-one connector	24	I	 Hinges ( Full cover)	4
C	 Two-in-one connector	24	J	 Hinges ( Half cover)	2
D	 Wood plug	5	K	 Screws Ø4x25mm	1
E	 Plastic anchor(Ø10mm)	4	L	 Anti-collision gasket	6
F	 Screws for fix on the wall	4	M	 Screwdriver	1
G	 Bracket (53x70x44mm)	2			

## Recommended tools



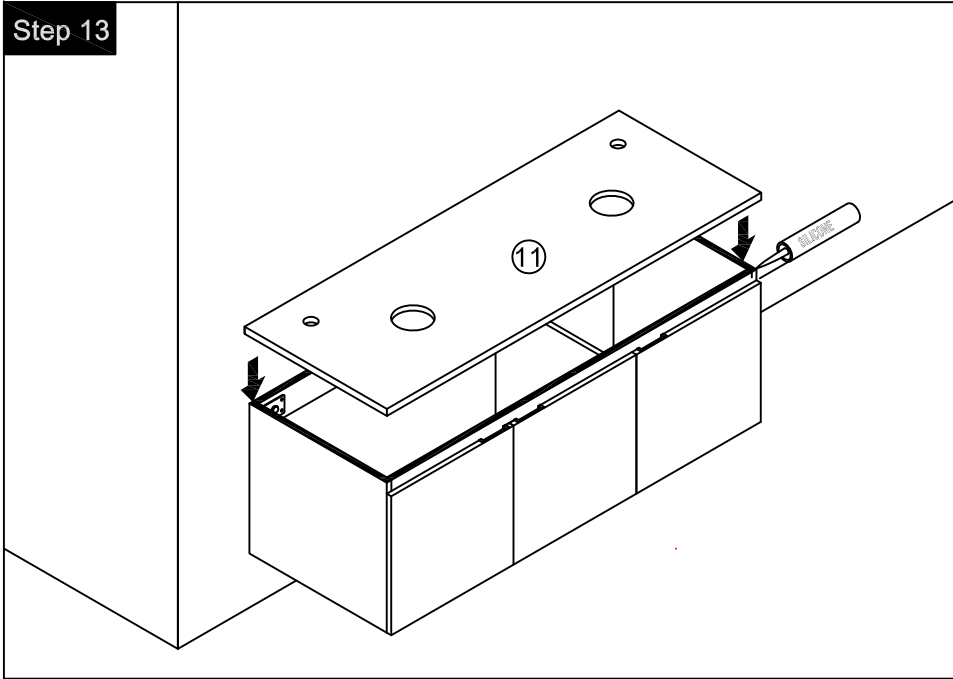
## Dimensions



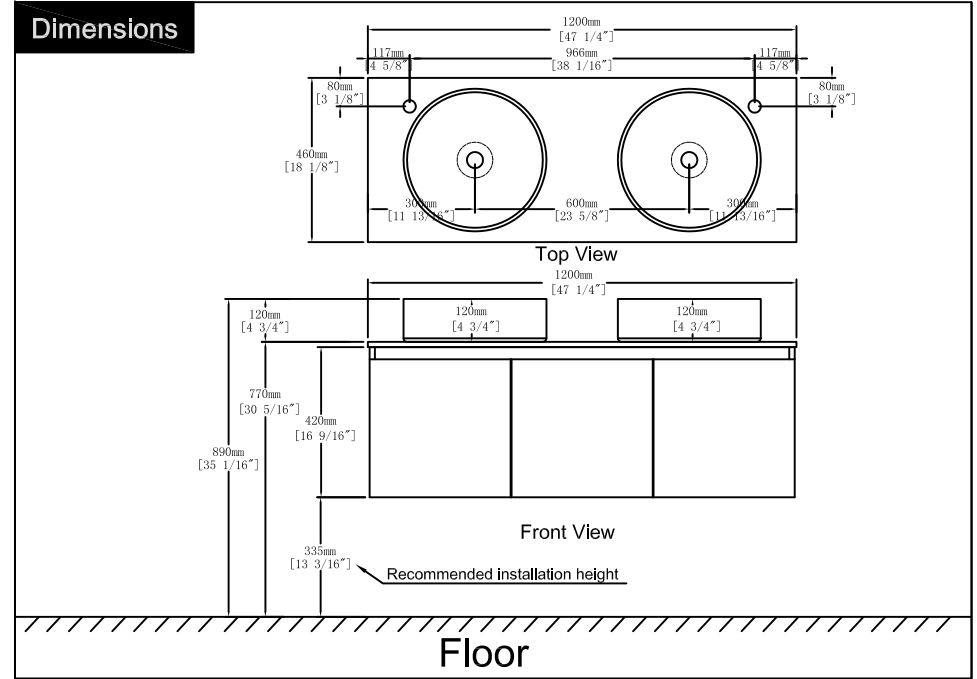
## CARE CLEANING AND MAINTENANCE

1. Dust regularly with a soft , dry cloth.
2. Avoid the use of all chemicals household cleaners, abrasives, or cleaners that contain lemon, vinegar, or other acids that may damage the finish.
3. Excessive exposure to sunlight and extreme changes in temperature and moisture can damage wood furniture.
4. The sink is fragile, please pay attention to maintaining its appearance.
5. Do not place hot appliances, such as curling irons and hot hair dryers directly on the countertop. Wipe spills immediately.

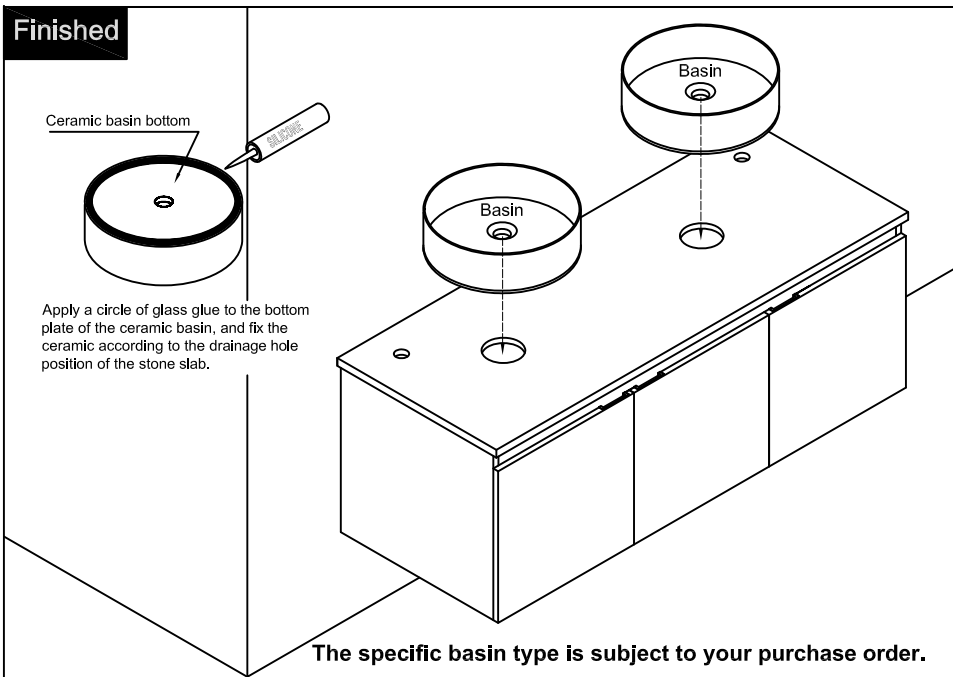
### Step 13



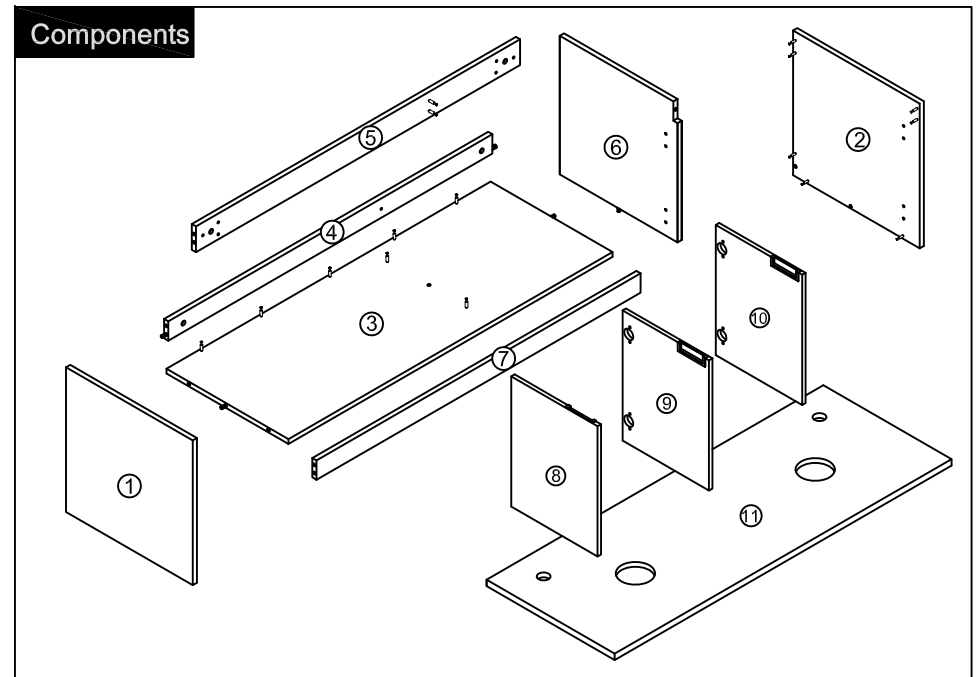
### Dimensions



### Finished



### Components



### Step 1

		x5
	B	
		x5
	C	
	M	

Notes: Screw installation depth as shown

Attention: Cam lock arrow point to the steel rod.

### Step 2

Note: The D parts are used for this hole.

		x2
Tool	B	
		x2
	C	
		x1
	D	
		x1
	K	
	M	

first step    second step    third step

### Step 11

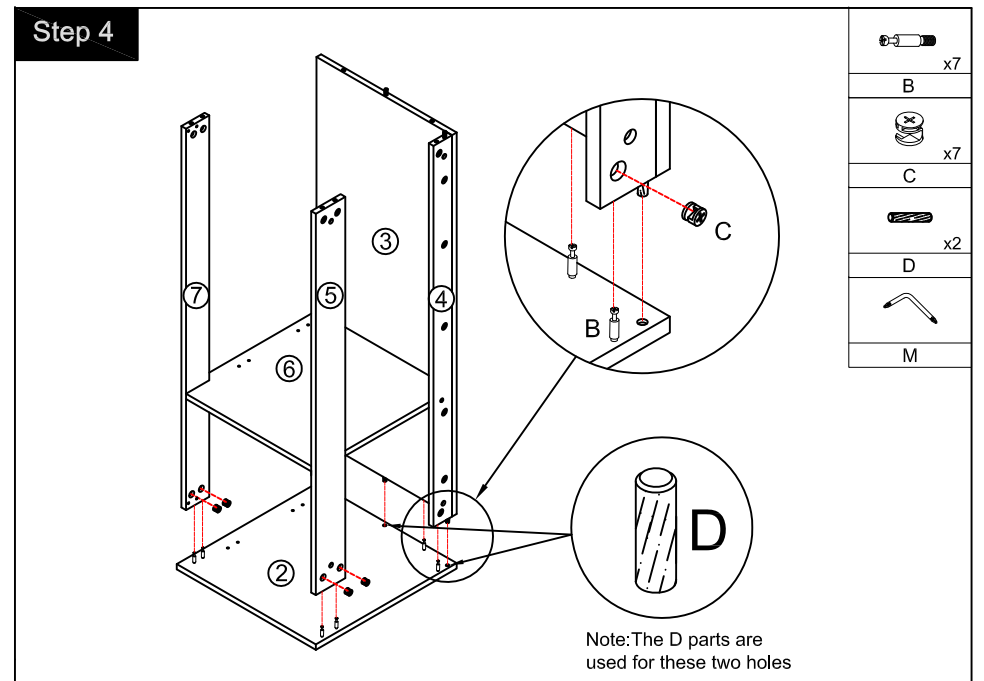
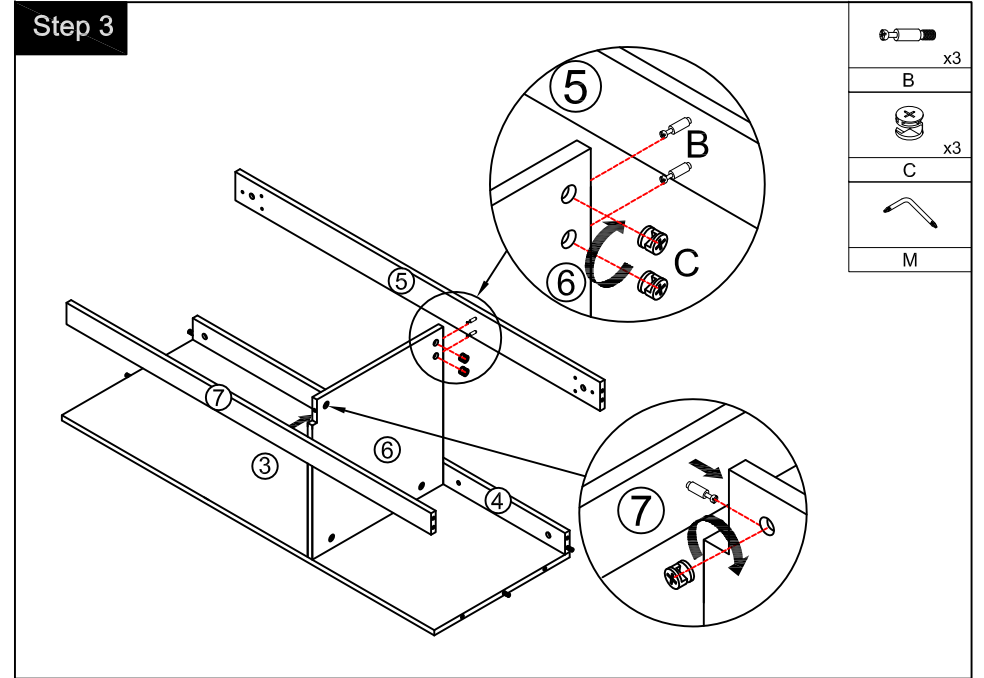
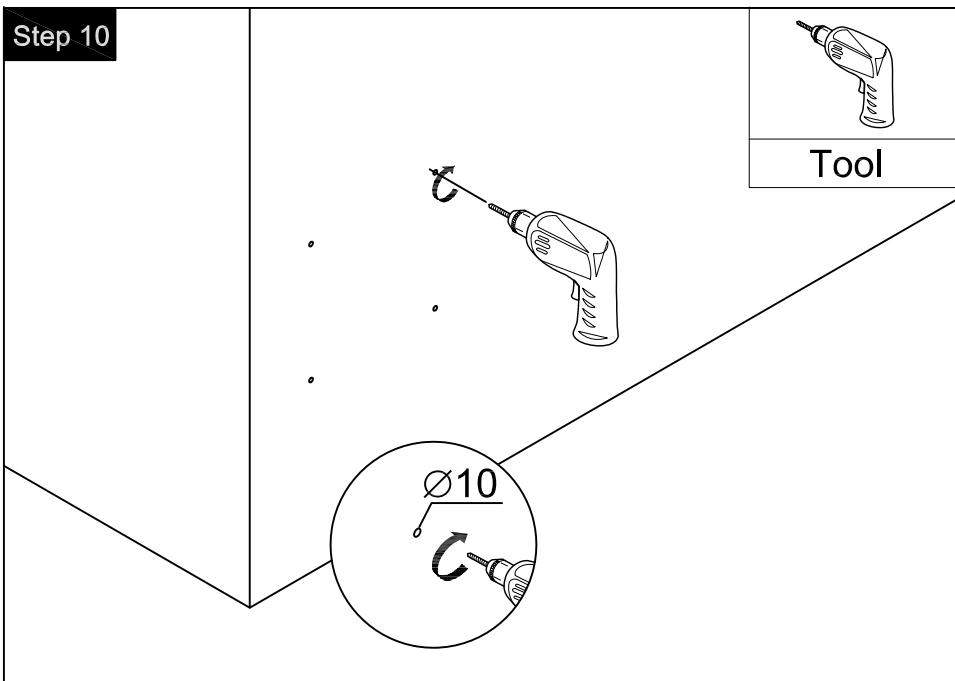
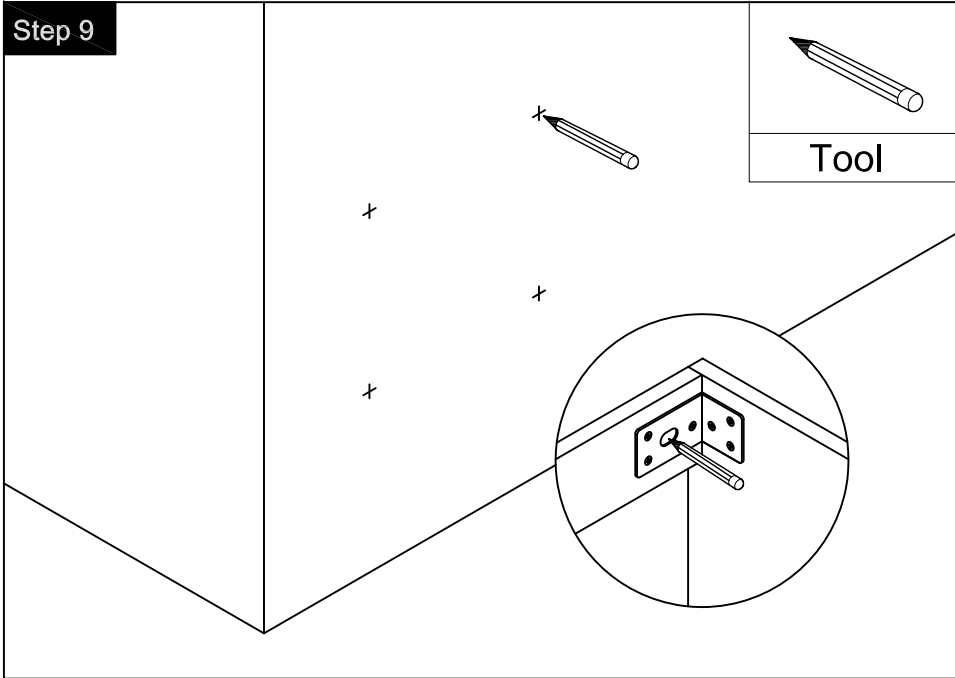
		x4
	E	
	Tool	

Attention: Cam lock arrow point to the steel rod.

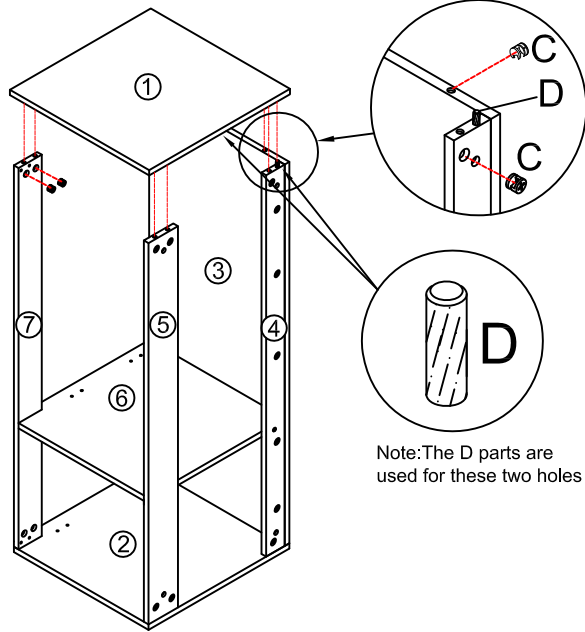
### Step 12

		x4
	F	
	Tool	

first step    second step    third step



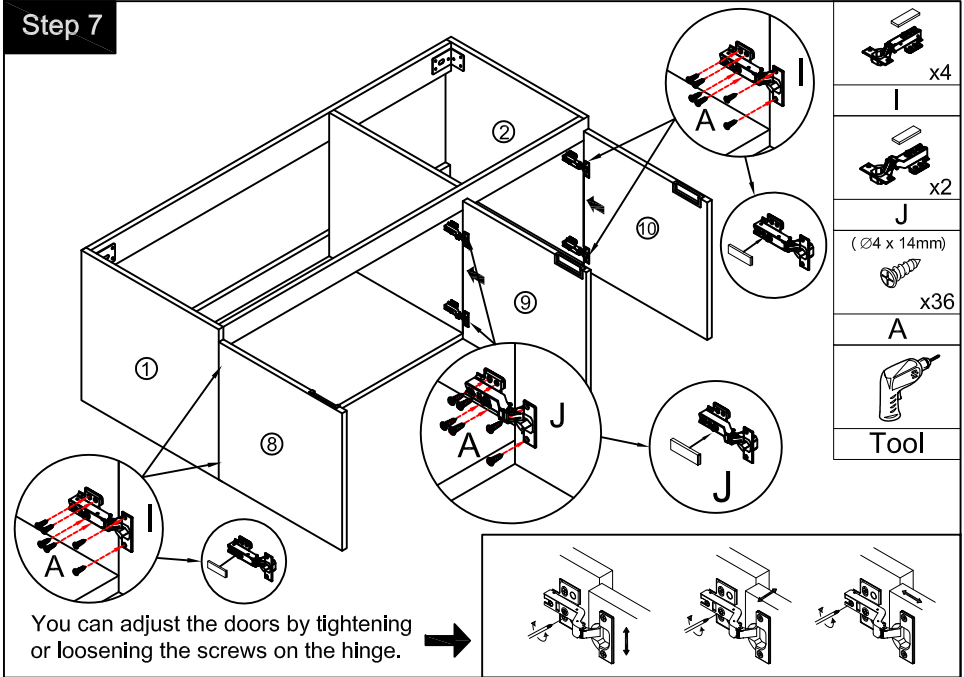
### Step 5



Note: The D parts are used for these two holes

	x7
B	
	x7
C	
	x2
D	
M	

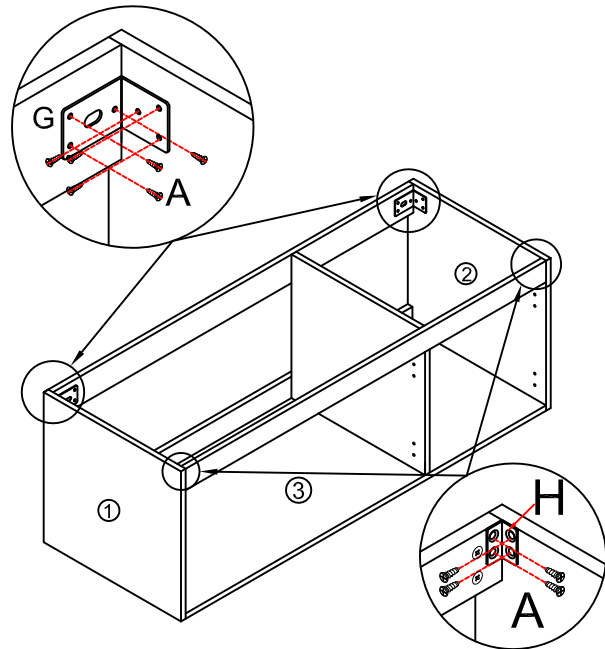
### Step 7



You can adjust the doors by tightening or loosening the screws on the hinge. →

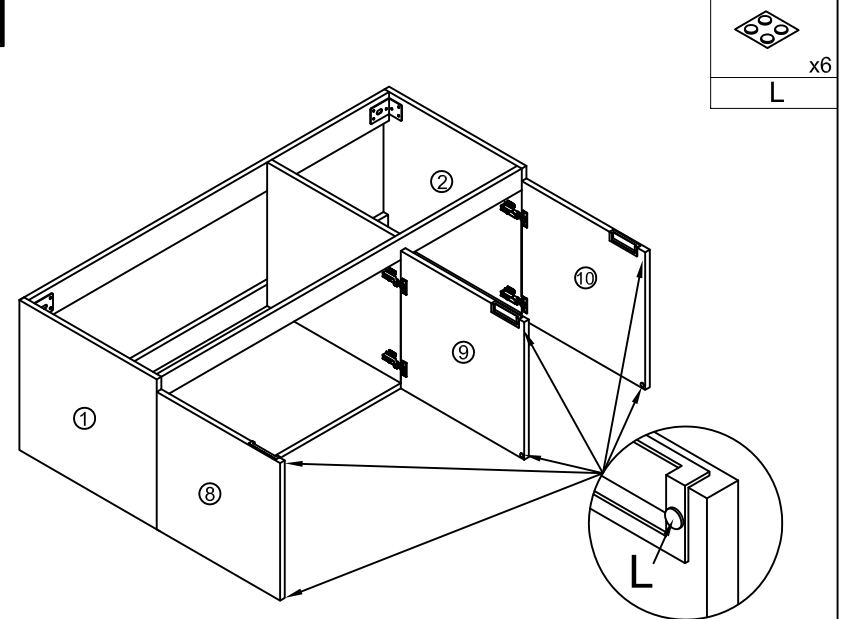
	x4
I	
	x2
J	
	x36
A	
Tool	

### Step 6



	x2
G	
	x2
H	
	x20
A	
Tool	

### Step 8



	x6
L	