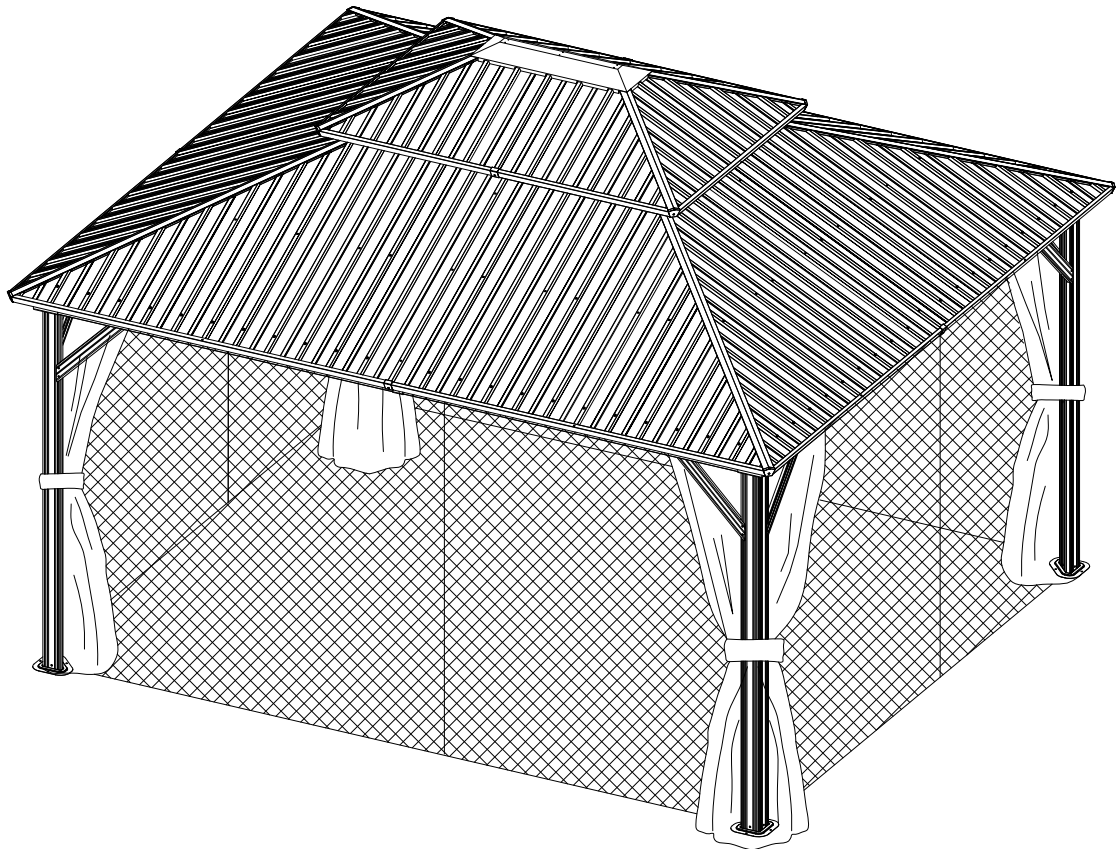




12' × 14' Metal Patio Gazebo

ASSEMBLY MANUAL



MODEL#: LGMF1589B

Missing part? Damaged? Contact us via email at

service@domioutdoorliving.com

© Copyright 2023–2025 domi outdoor living LLC. All Rights Reserved.

Pre-assembly



1. Two or more people are required for assembly.



2. You will need one or more stepladders.



3. Wearing protective gloves is recommended.



4. You may need a safety hat.



5. Please use a Phillips screw driver.



6. For ease of construction, you may need a drill.



7. You may need a safety goggle.



8. Do not fully tighten screws prior to complete assembly.

Warning & Attention

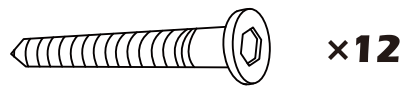
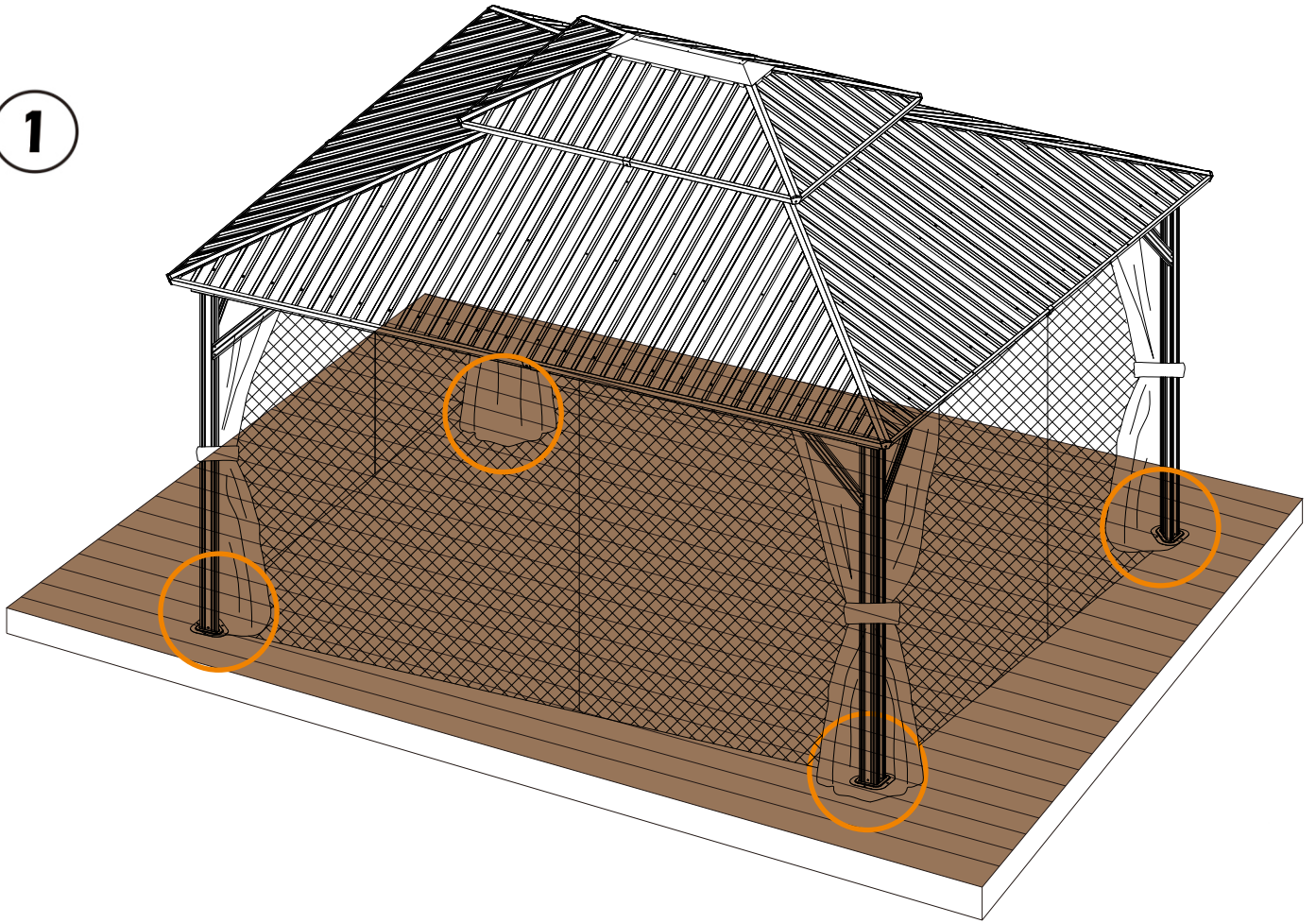
-Try to assemble this product on the flat ground, otherwise it is difficult to carry out;

-It would be much easier to assemble the product with three or more people;

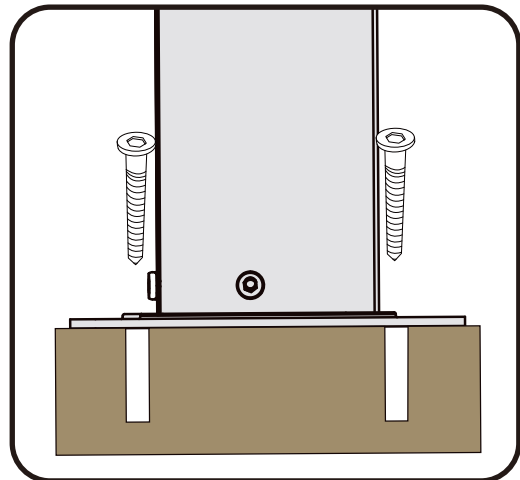
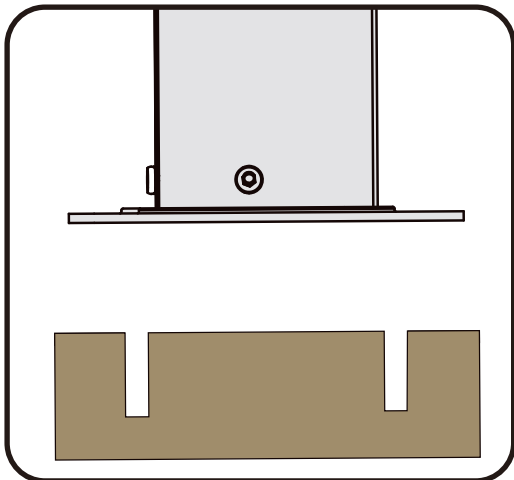
-After assembly, please check whether all screws are tightened, to prevent parts from falling apart.

▲ Use bolts to secure the frame to the ground to against the strong wind.

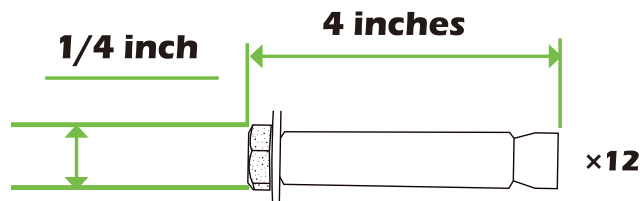
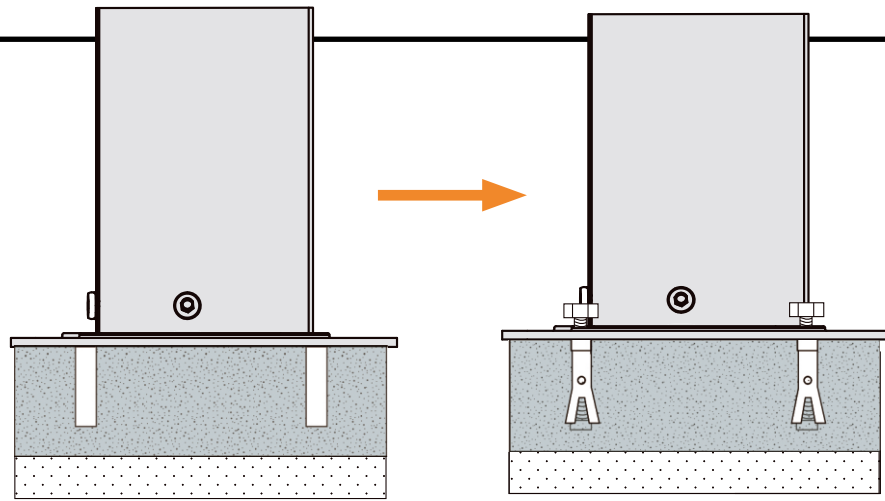
1



If the deck is hard wood and the depth of it is over 3 inch, you can use **5/16 in. x4 in. Structural Wood Screw** to mount the gazebo.

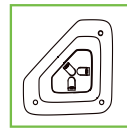
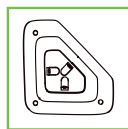
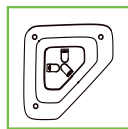


2



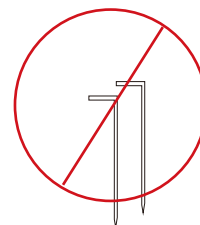
If the ground is concreted and the depth of it is over 3 inch, you can use 1/4 inch expansion bolts to mount the gazebo

3



Or you can make a concrete footing for gazebo, **15×15×15 inches** is recommended. use expansion bolts to mount the pergola like ② shows.

IMPORTANT:
Anchor is not recommended





A 4x Pole



C 2x Beam



C1 2x Beam



D 2x Beam



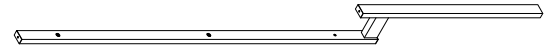
D1 2x Beam



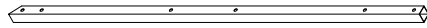
E 4x Corner Roof Bar



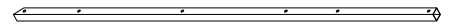
E1 4x Corner Roof Bar Connector



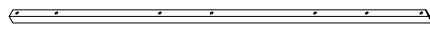
E2 4x Roof Bar



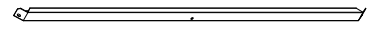
F 4x Solidfying Bar



G 2x Solidfying Bar



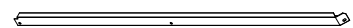
G1 2x Solidfying Bar



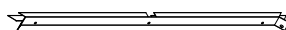
H 2x Finishing Bar



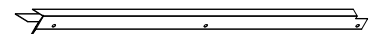
H1 2x Finishing Bar



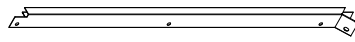
H2 2x Finishing Bar



J 2x Finishing Bar



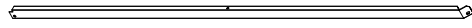
J1 2x Finishing Bar



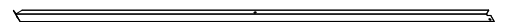
J2 2x Finishing Bar



K 2x Finishing Bar



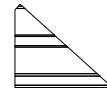
K1 2x Finishing Bar



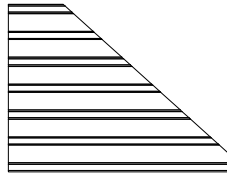
K2 2x Finishing Bar



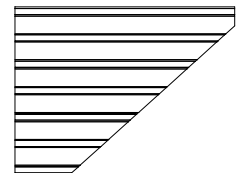
K3 2x Finishing Bar



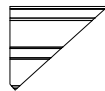
L1 2x Roof Panel



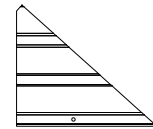
L2 2x Roof Panel



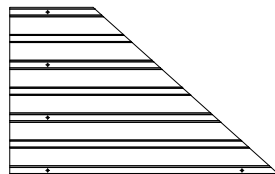
L3 2x Roof Panel



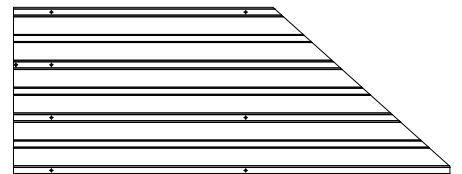
L4 2x Roof Panel



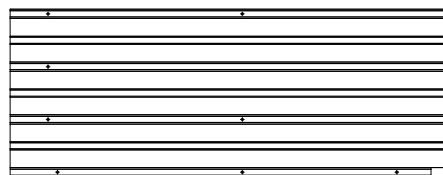
M1 2x Roof Panel



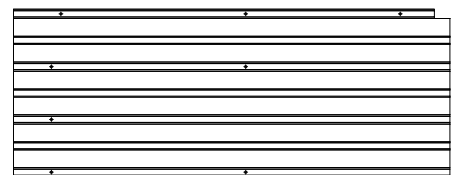
M2 2x Roof Panel



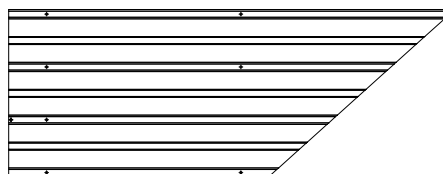
M3 2x Roof Panel



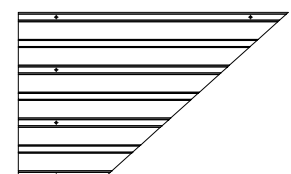
M4 2x Roof Panel



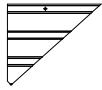
M5 2x Roof Panel



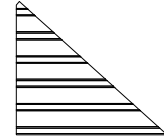
M6 2x Roof Panel



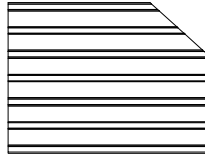
M7 2x Roof Panel



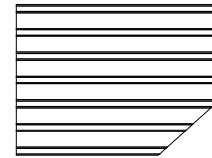
(M8) 2x Roof Panel



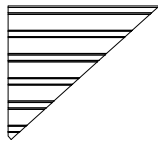
(N1) 2x Roof Panel



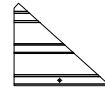
(N2) 2x Roof Panel



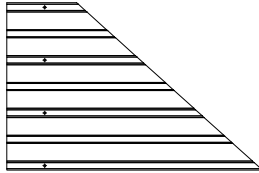
(N3) 2x Roof Panel



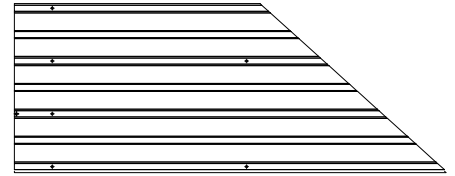
(N4) 2x Roof Panel



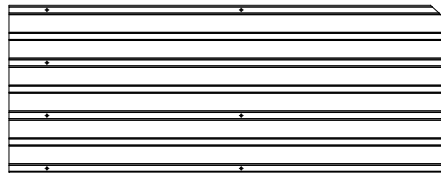
(P1) 2x Roof Panel



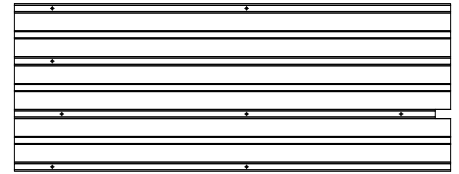
(P2) 2x Roof Panel



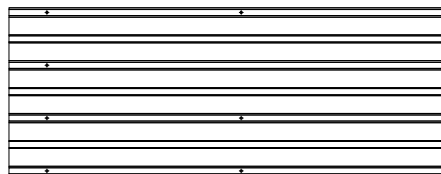
(P3) 2x Roof Panel



(P4) 2x Roof Panel



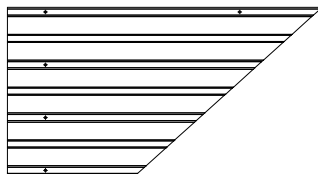
(P5) 2x Roof Panel



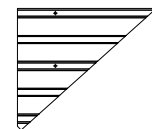
(P6) 2x Roof Panel



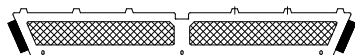
(P7) 2x Roof Panel



(P8) 2x Roof Panel



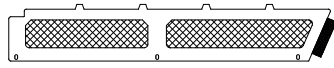
(P9) 2x Roof Panel



(Q) 2x Net Frame



(Q1) 2x Net Frame



Q2 2x Net Frame



T 2x Track



T1 2x Track



T2 2x Track



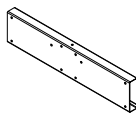
T3 2x Track



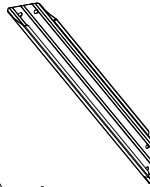
B 4x Base



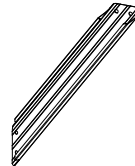
B1 8x Bracket



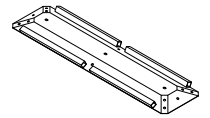
C2 4x Union Bar



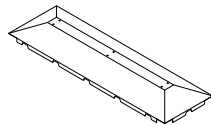
R 4x Corner Solidifying Bar



R1 4x Corner Solidifying Bar



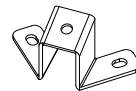
S 1x Inside Roof Connector



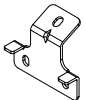
S1 1x Outside Roof Connector



S2 3x J-Hook



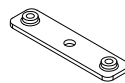
U 4x Bracket



U1 4x Bracket



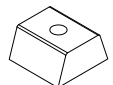
U2 4x Bracket



U3 4x Joint Cover



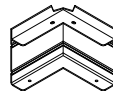
V 120x Hook



W 126x Black Rubber



X 4x Joint Cover



X1 4x Corner Cover



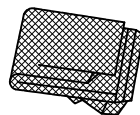
X2 6x Finishing End



X3 12x Finishing End



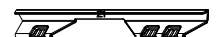
Y 4x Solid Sidewall



Y1 4x Mosquito Netting



Z 76x Plastic Bracket



Z1 4x Plastic Bracket



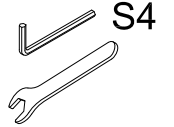
Z2 4x Plastic Bracket



Z3 2x Plastic Bracket



Z4 2x Plastic Bracket



1 1x



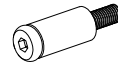
ST6.3x15

2 24x



ST5x16

3 24x



M6x35

4 32x



M6

5 130x



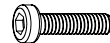
M6x10

7 20x



M6x16

8 204x



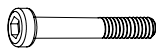
M6x25

9 8x



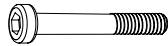
M6x28

10 80x



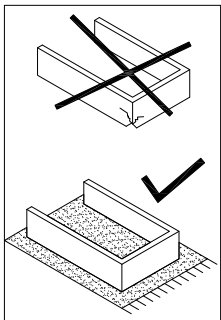
M6x45

11 4x



M6x50

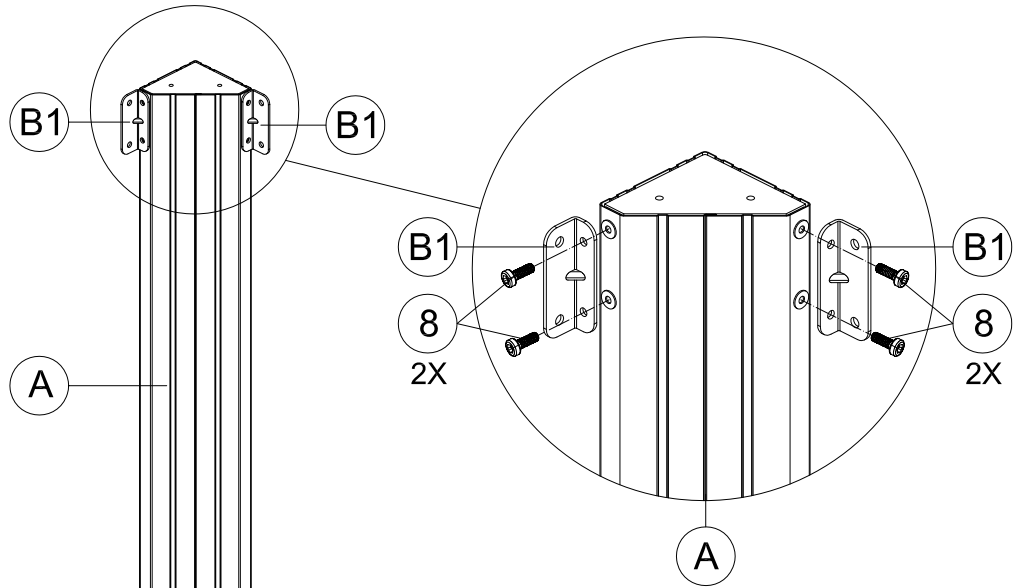
12 34x



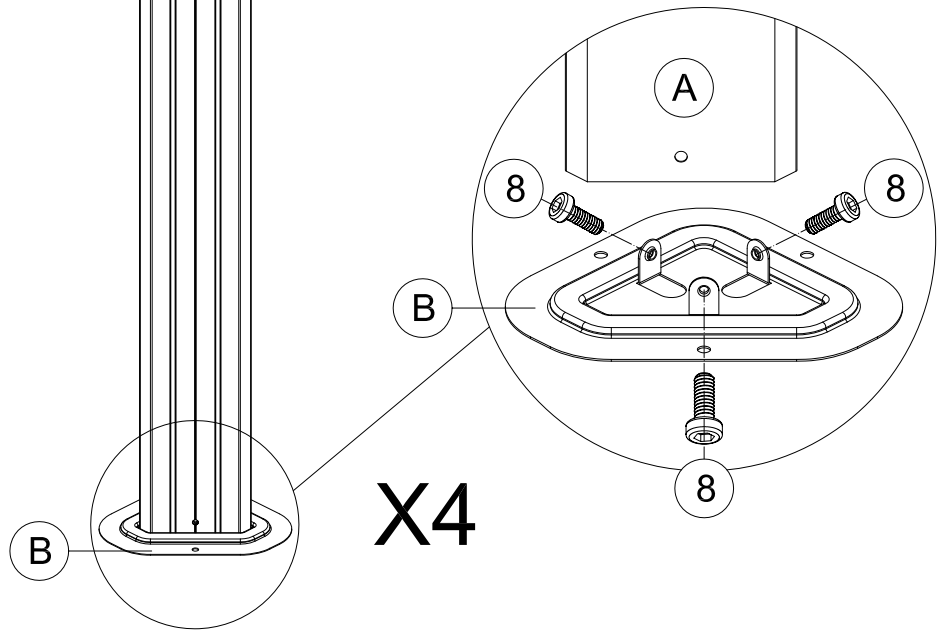
6

POST ASSEMBLY:

(1) Attach 2 Part #B1 to Part #A with 4 Bolts #8.

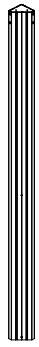


(2) Attach Part #B to Part #A with 3 Bolts #8.



X4

(3) Repeat the above procedures to assemble the other 3 Part #A.



A 4x



B 4x



B1 8x

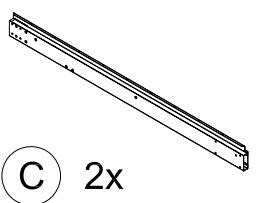


1 1x

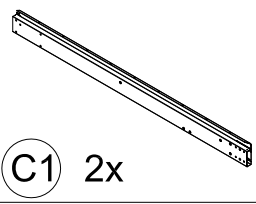


M6x16

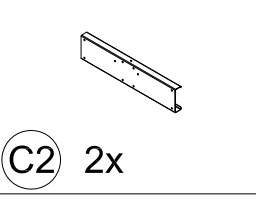
8 28x



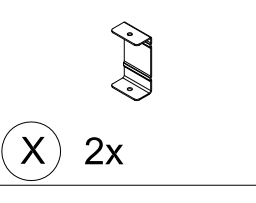
C 2x



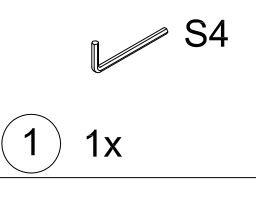
C1 2x



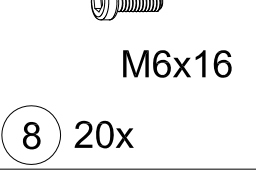
C2 2x



X 2x



1 1x

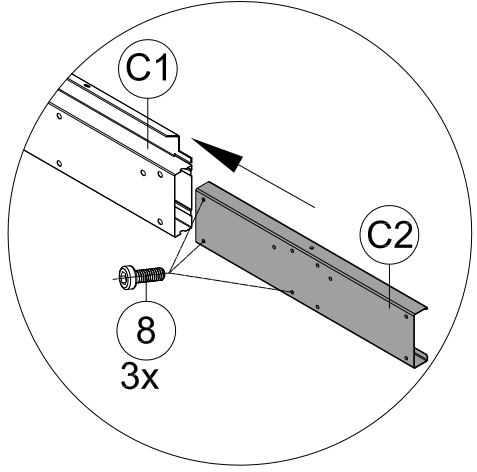


M6x16

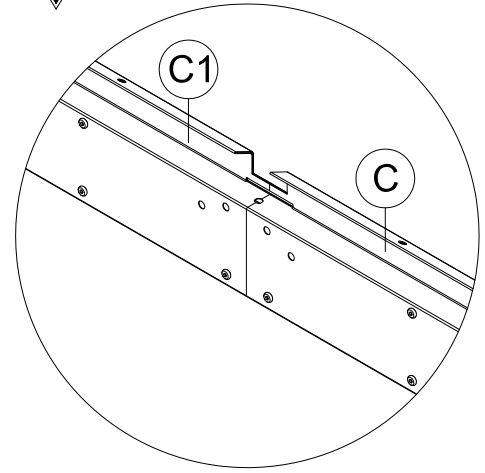
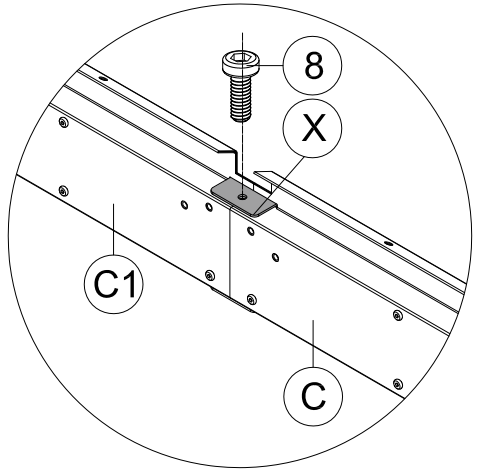
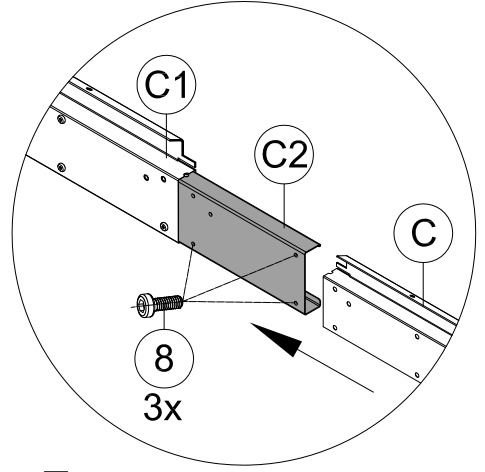
8 20x

BEAM ASSEMBLY:

(1) Insert Part #C2 into Part #C1 and secure with 3 Bolts #8.

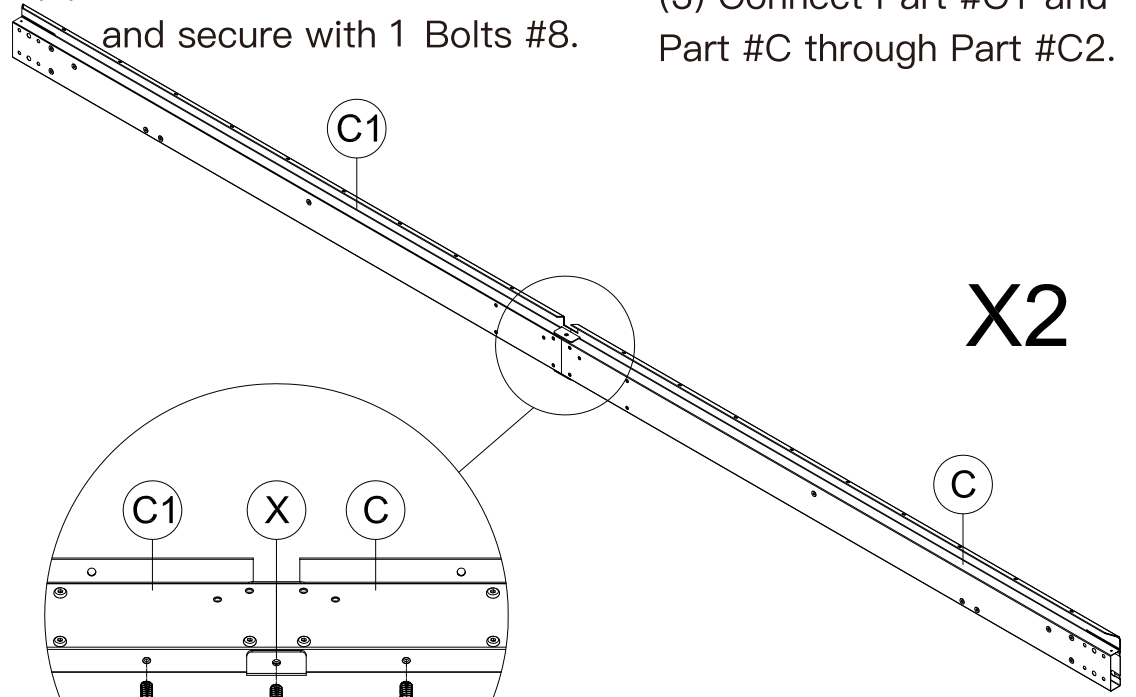


(2) Insert the other side of Part #C2 into Part #C and secure with 3 Bolts #8.



(4) Insert Part #X into the beam and secure with 1 Bolts #8.

(3) Connect Part #C1 and Part #C through Part #C2.

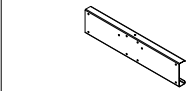


X2

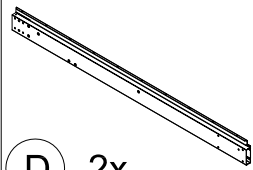
(5) Secure the bottom of Part #X and Part #C/C1 with 3 Bolts #8.

(6) Repeat the above procedures to assemble the other Part #C and Part #C1.

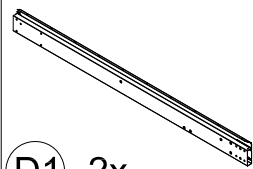
8



C2 2x



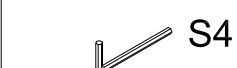
D 2x



D1 2x



X 2x

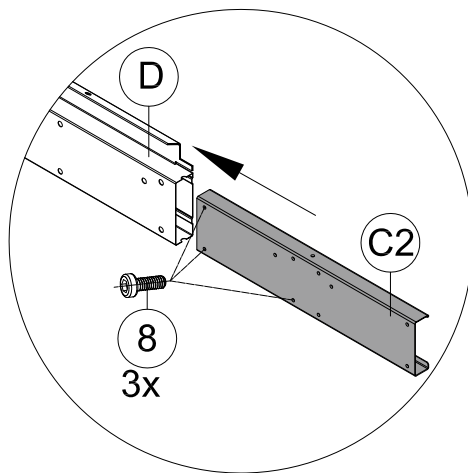


1 1x

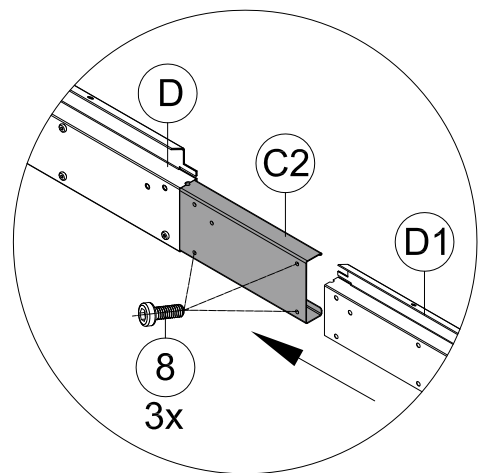


M6x16

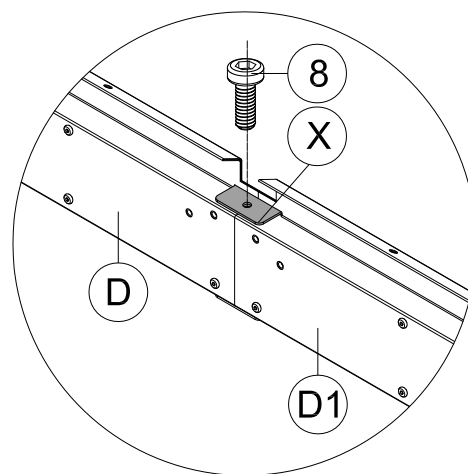
8 20x



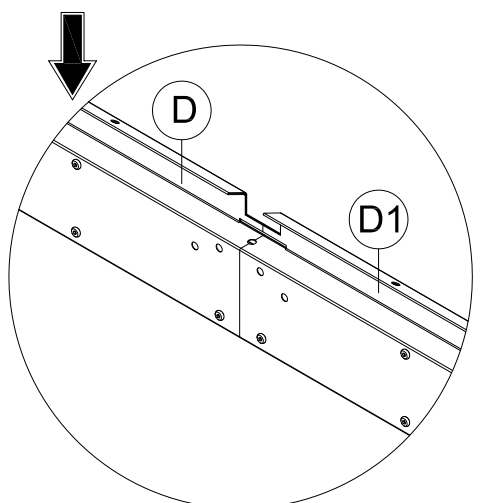
(1) Insert Part #C2 into Part #D, and secure with 3 Bolts #8.



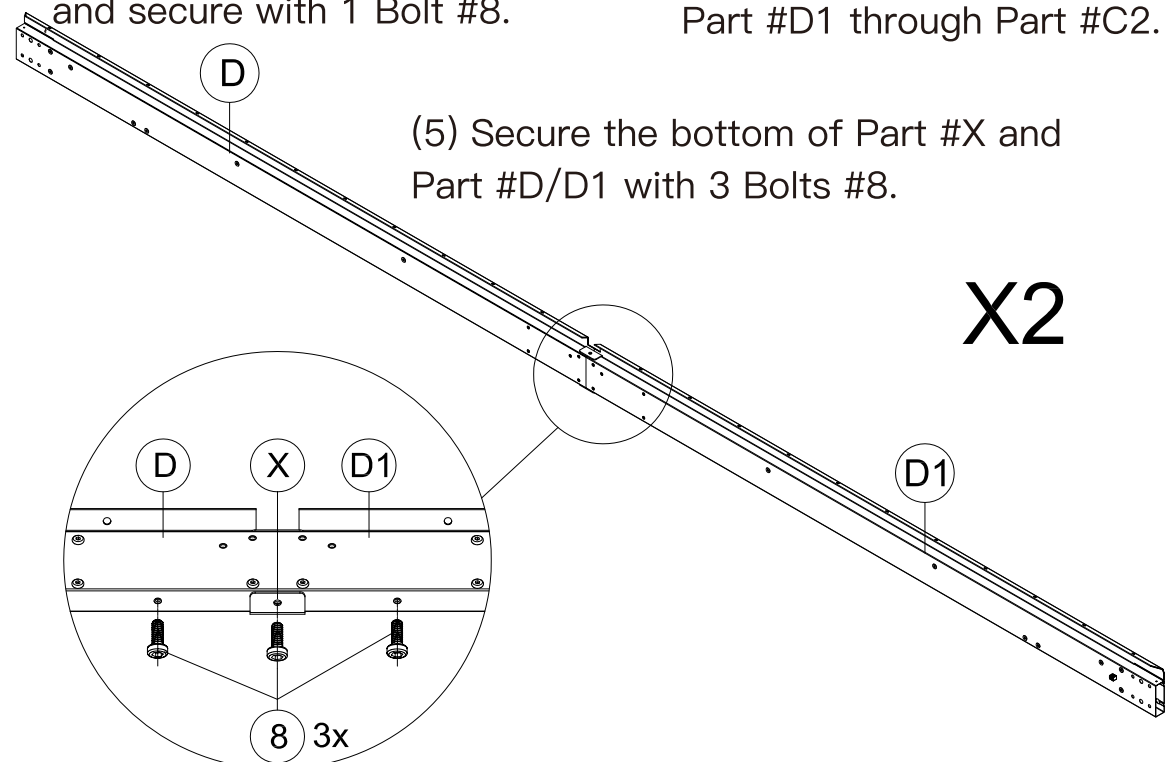
(2) Insert the other side of Part #C2 into Part #D1 and secure with 3 Bolts #8.



(4) Insert Part #X into the beam and secure with 1 Bolt #8.

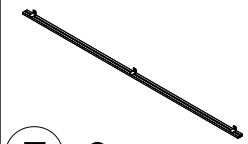


(3) Connect Part #D and Part #D1 through Part #C2.

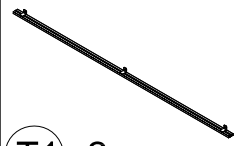


(5) Secure the bottom of Part #X and Part #D/D1 with 3 Bolts #8.

(6) Repeat the above procedures to assemble the other Part #D and Part #D1.



T 2x



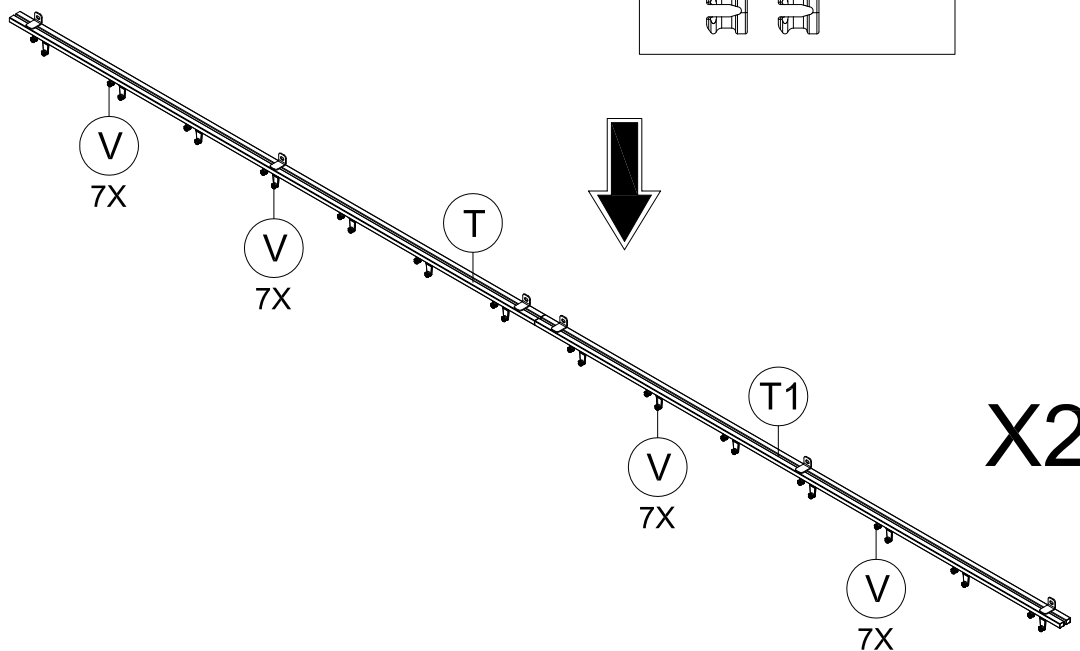
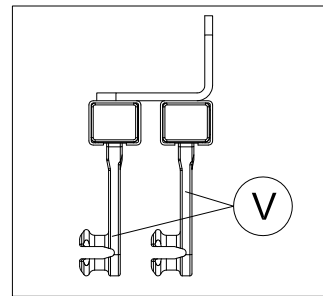
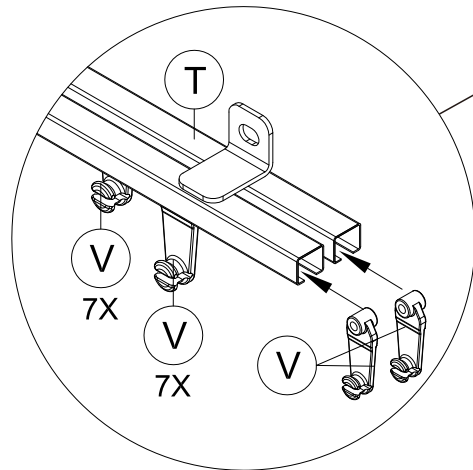
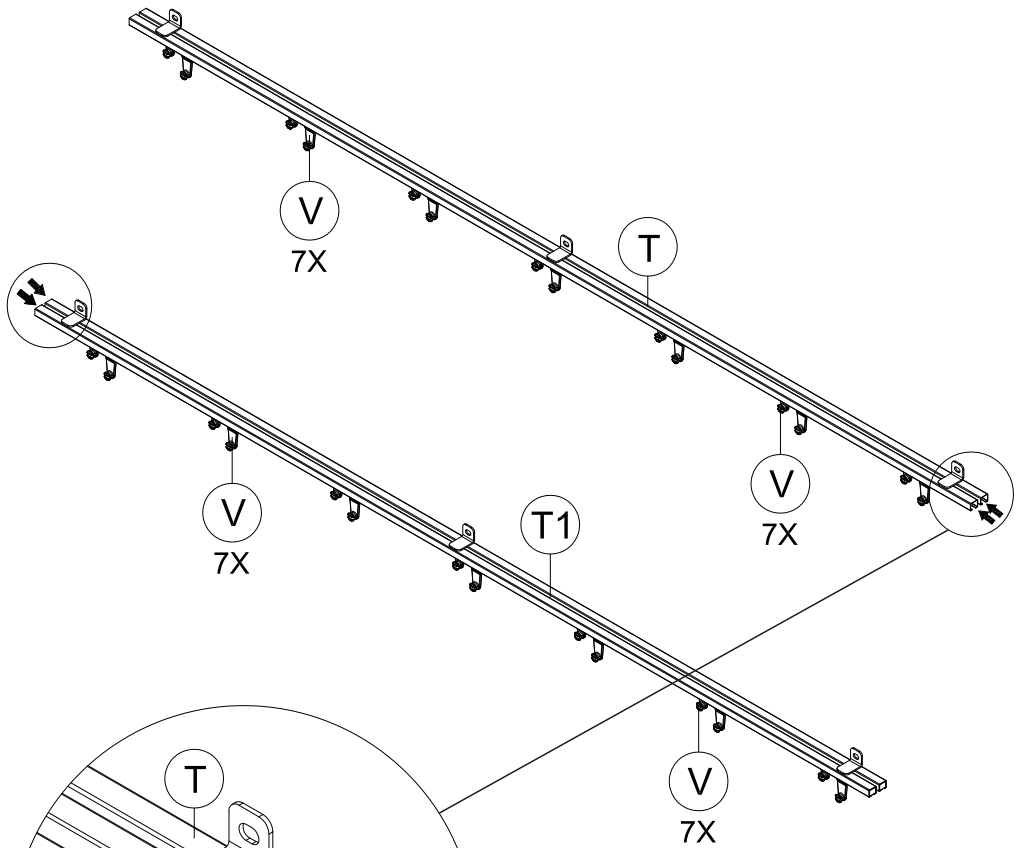
T1 2x



V 56x

TRACK ASSEMBLY:

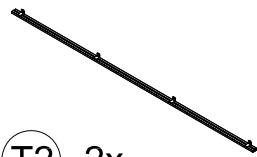
(1) Slide the plastic hooks to the double-rail track #T & T1 (each slot should slide 7 plastic hooks).



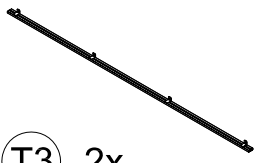
X2

10

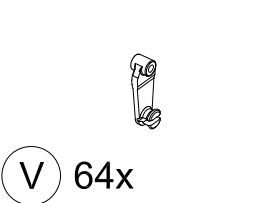
(2) Repeat the above procedures for the another track #T & T1.



T2 2x



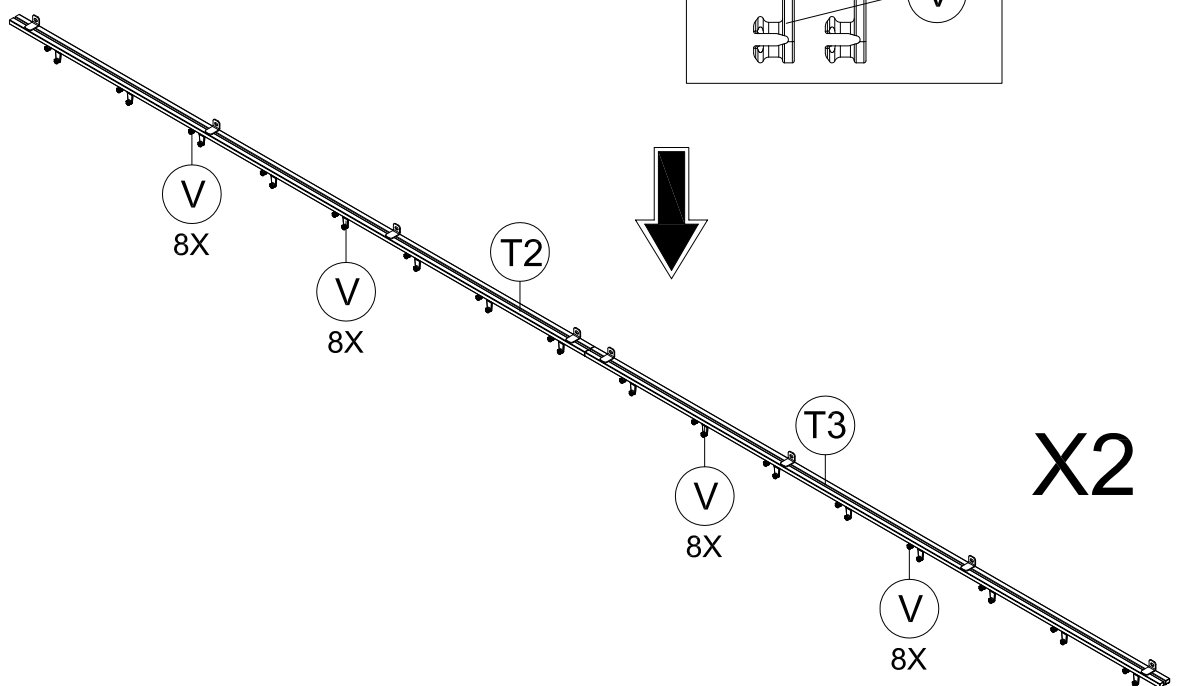
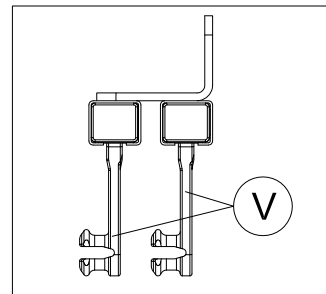
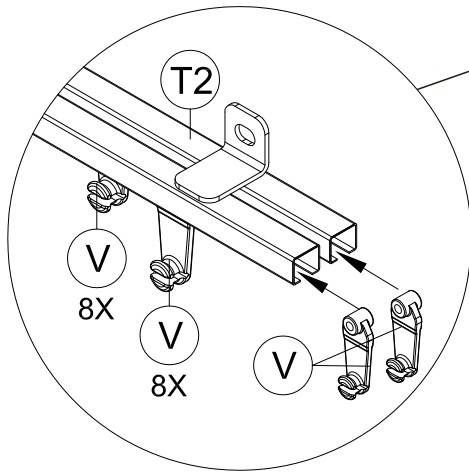
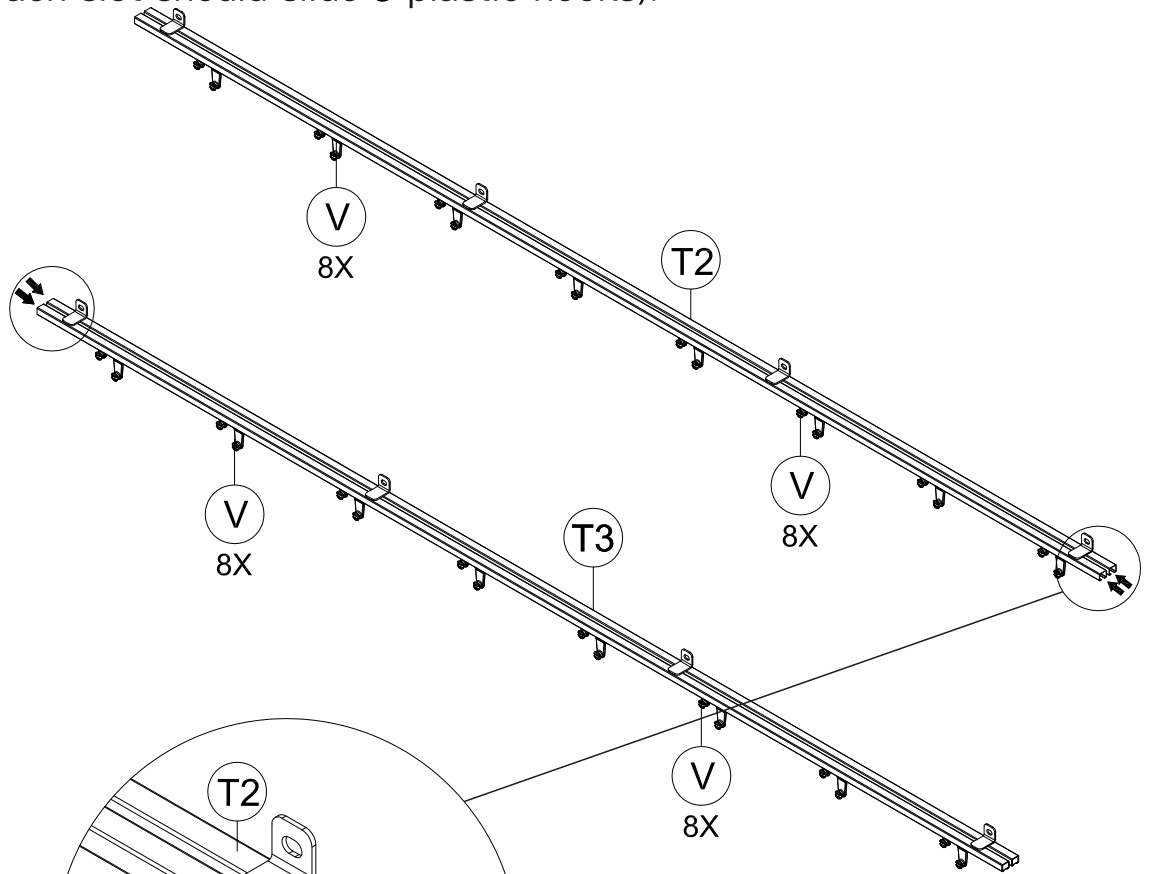
T3 2x



V 64x

TRACK ASSEMBLY:

(1) Slide the plastic hooks to the double-rail track #T2 & T3 (each slot should slide 8 plastic hooks).



(2) Repeat the above procedures for the another track #T2 & T3.

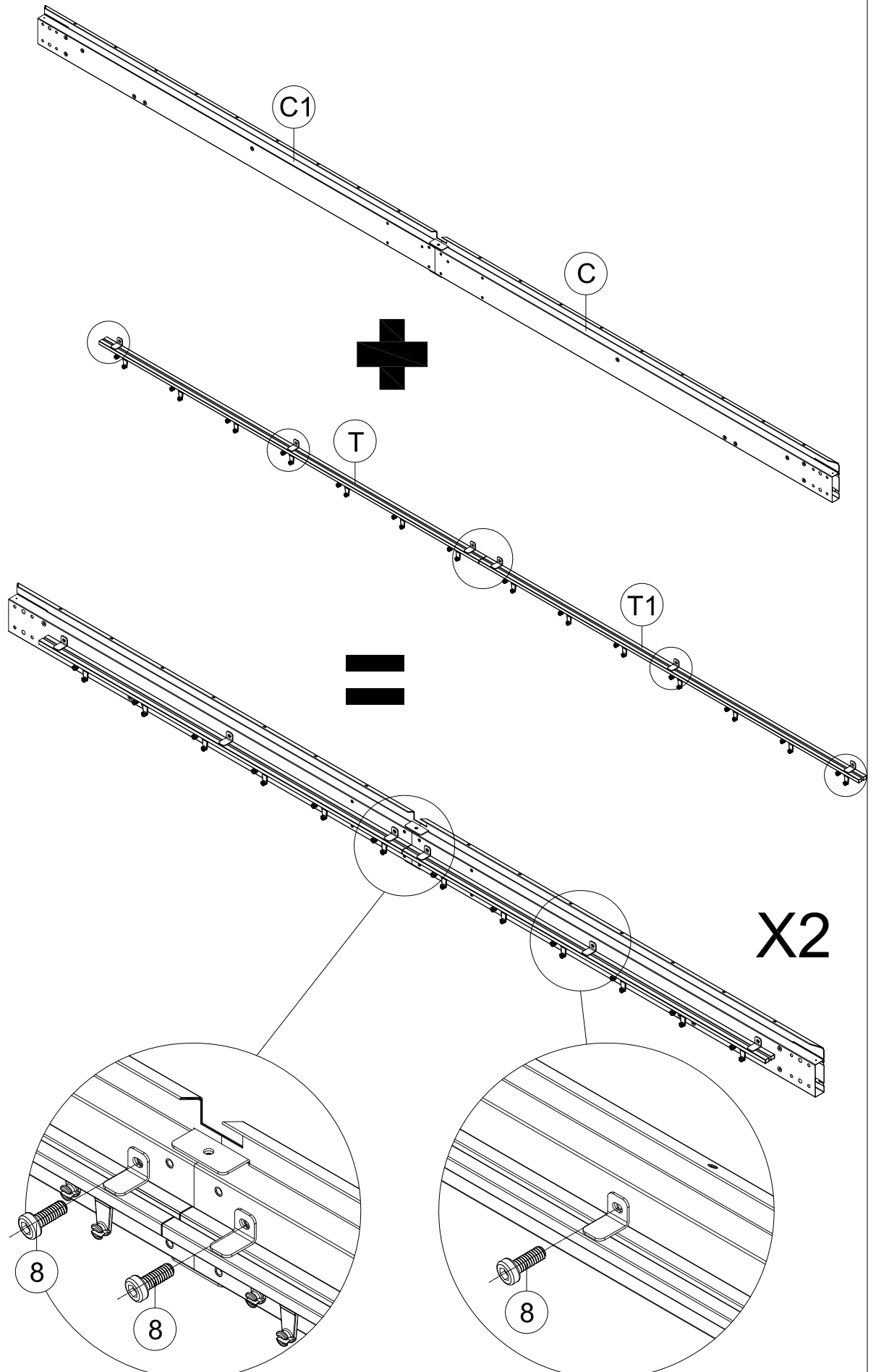
✓ S4

1 1x


M6x16

8 12x

(1) Use 6 Bolts #8 to fix the track T & T1 to the beam C & C1.



12

(2) Repeat the above procedures for another beam C & C1.

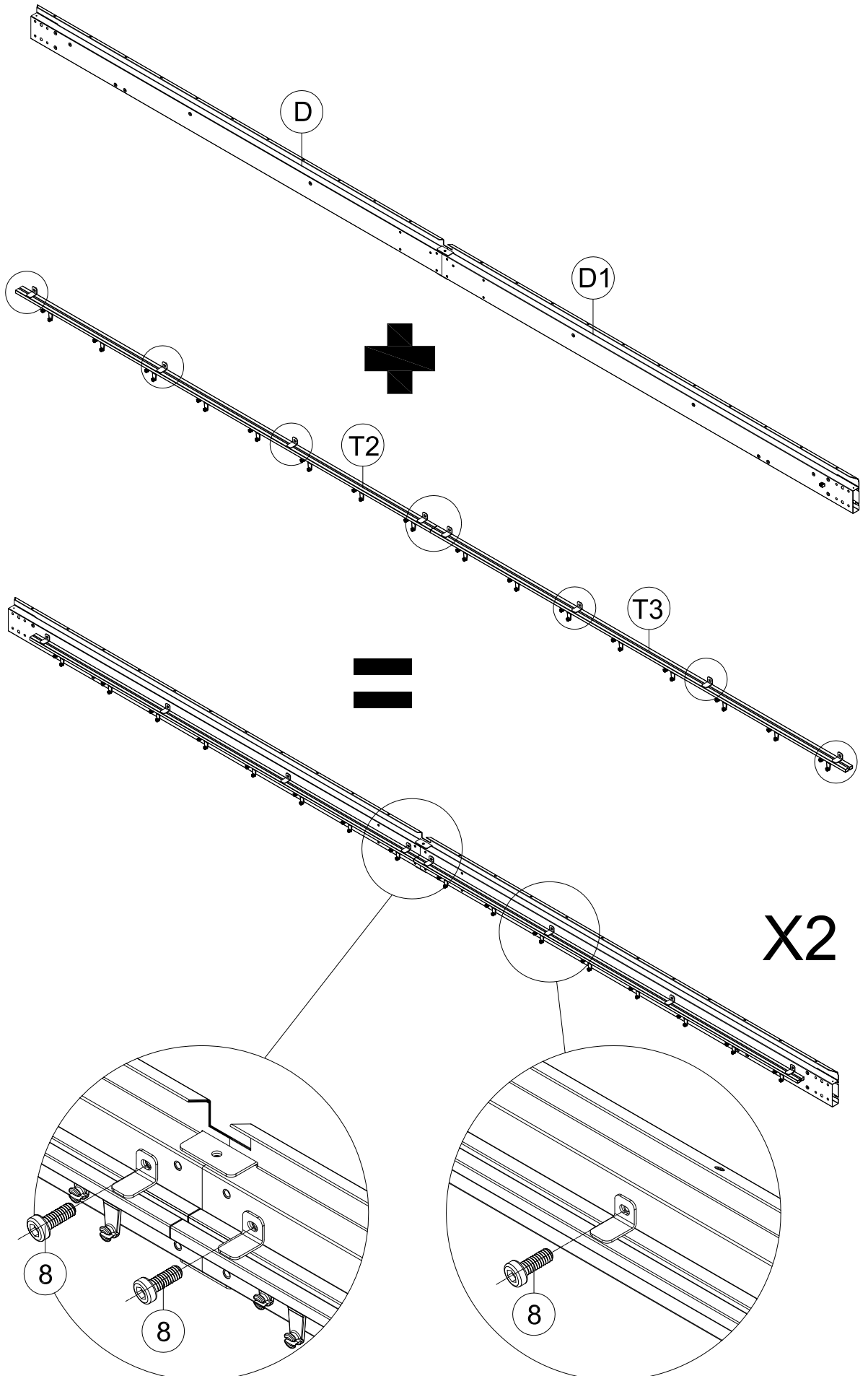
✓ S4

1 1x

M6x16

8 16x

(1) Use 8 Bolts #8 to fix the track T2 & T3 to the beam D & D1.



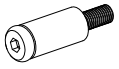
13

(2) Repeat the above procedures for another beam D & D1.



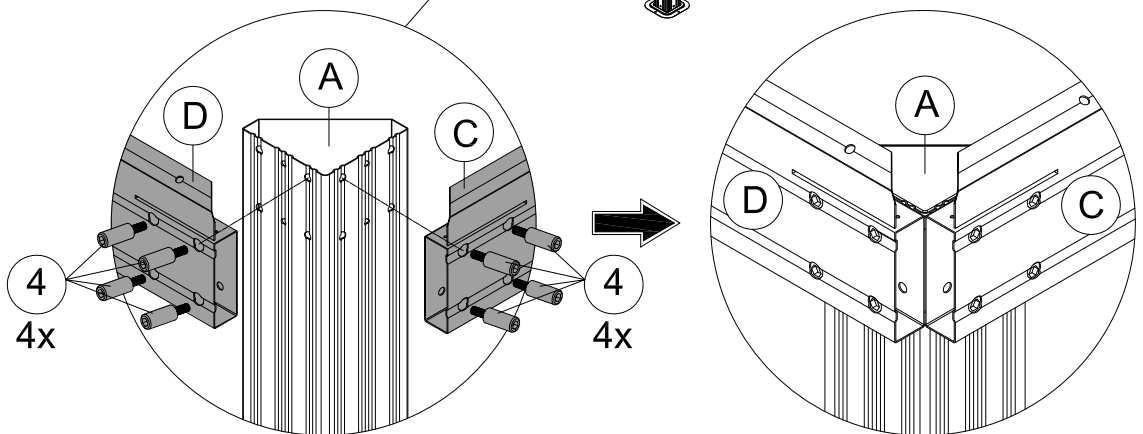
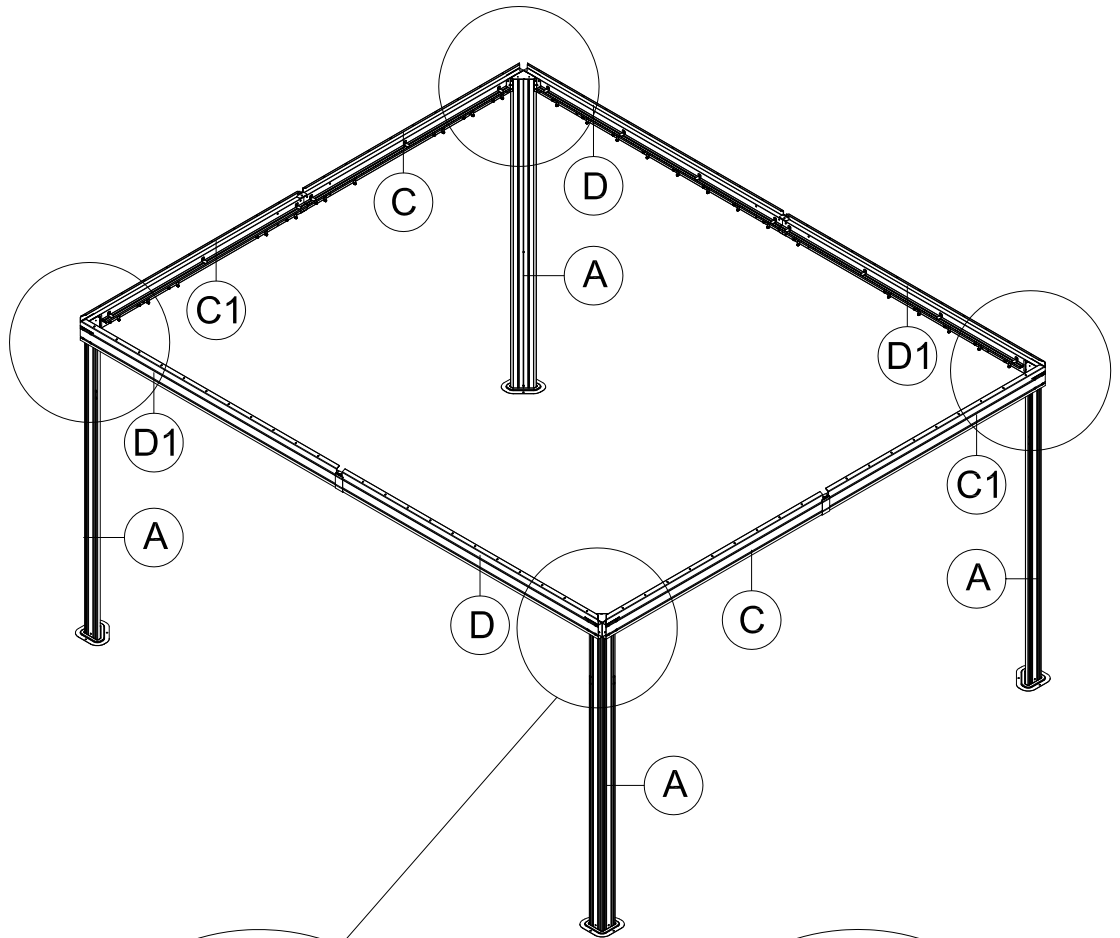
S4

1 1x



M6x35

4 32x



- (1) Connect Part #C/C1 and #D/D1 to Part #A with 8 Bolts #4.
(From Outside)
 - (2) Repeat the above procedures to assemble the other 3 corners.
- ▲ Please don't tighten all bolts.

✓ S4

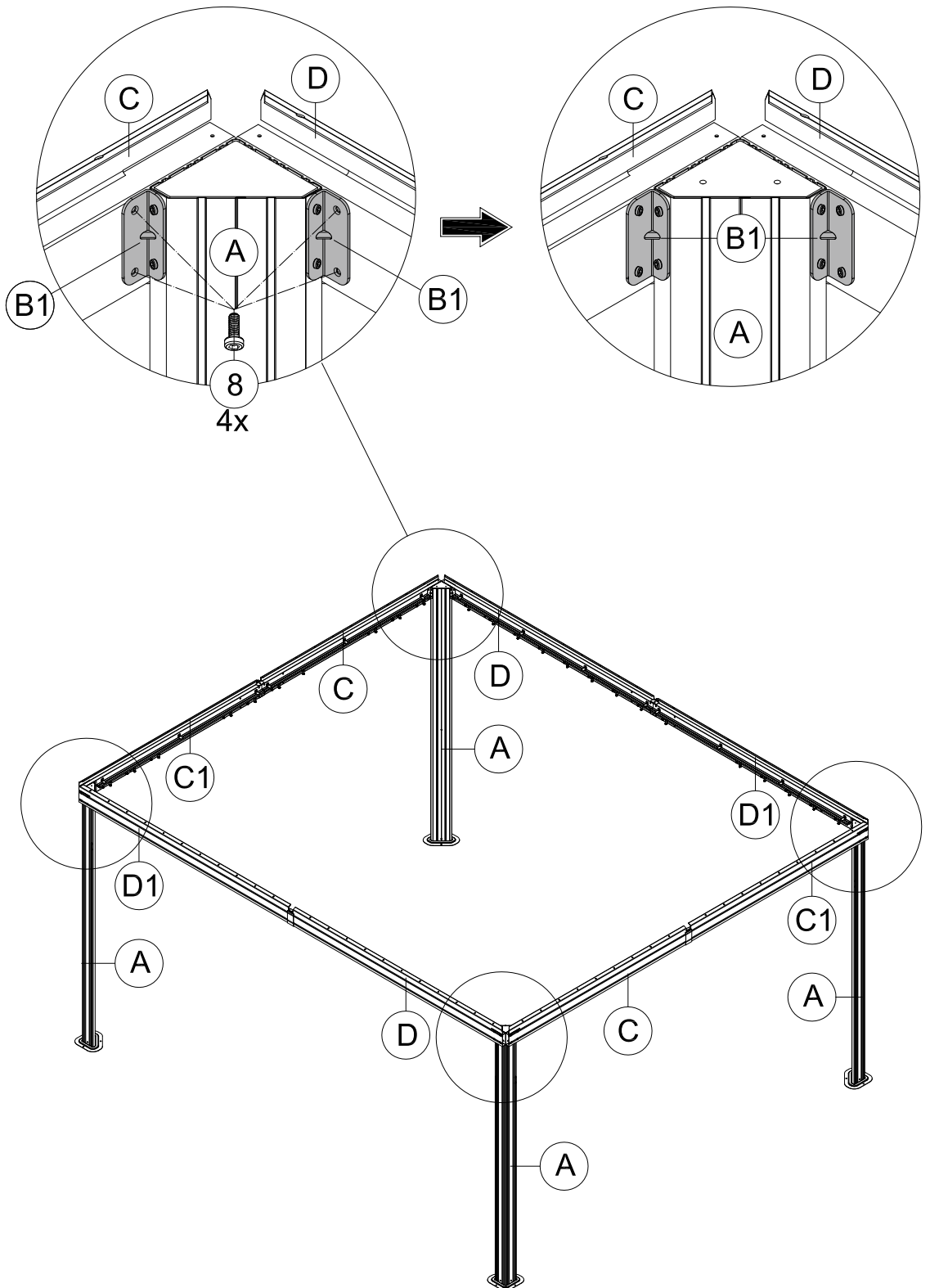
1 1x



M6x16

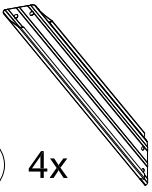
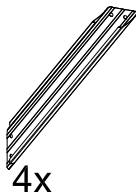


8 16x

(1) Connect Part #C/C1 and #D/D1 to Part #A with 4 Bolts #8.
(From Inside)

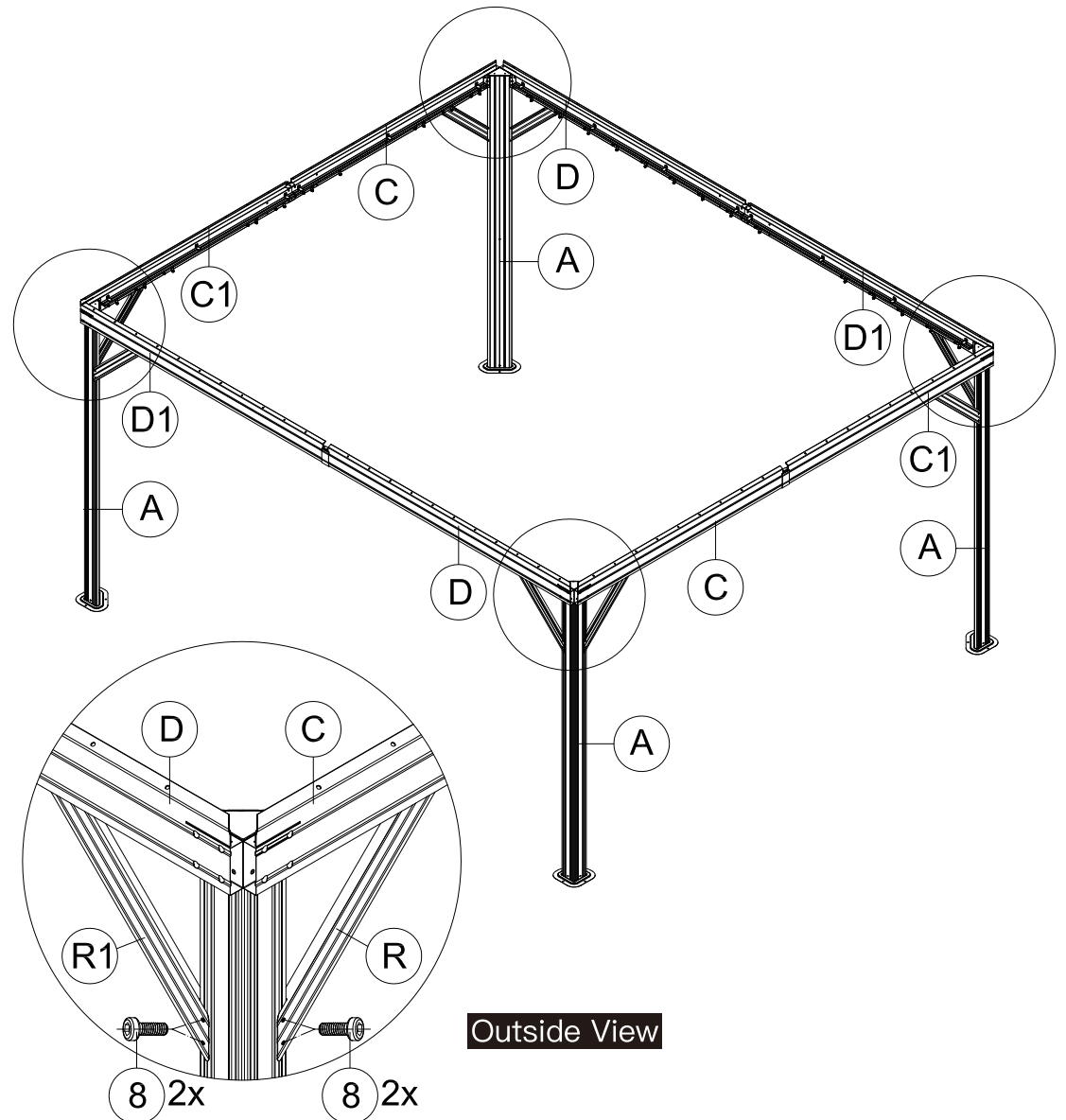
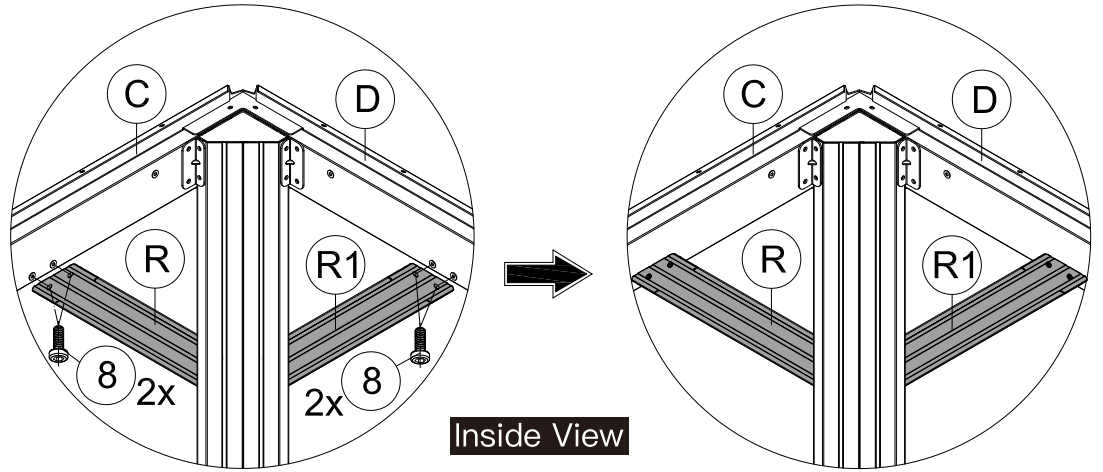


(2) Repeat the above procedures to assemble the other 3 corners.

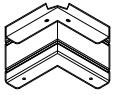
▲ Please don't tighten all bolts.

-  **R** 4x
-  **R1** 4x
-  **S4**
- 1** 1x
-  **M6x16**
- 8** 32x

(1) Affix Part #R and Part #R1 to the frame with 8 Bolts #8.



(2) Repeat the above procedures to assemble the other 3 corners.
 ▲ Tighten all bolts.

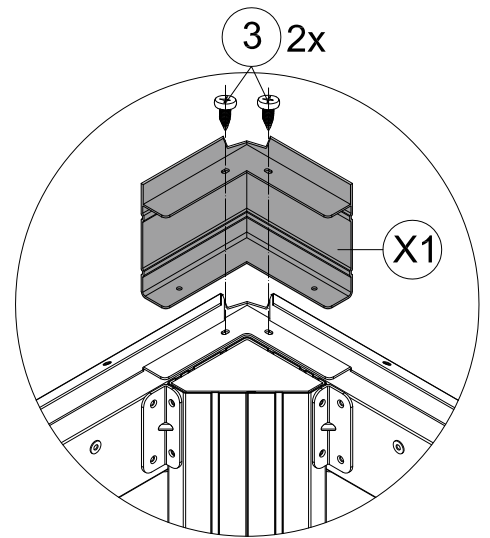
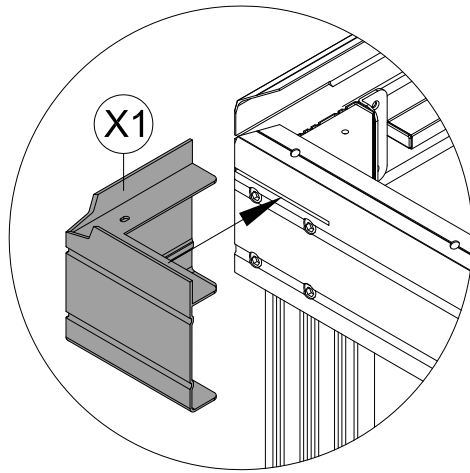


X1 4x



ST5x16

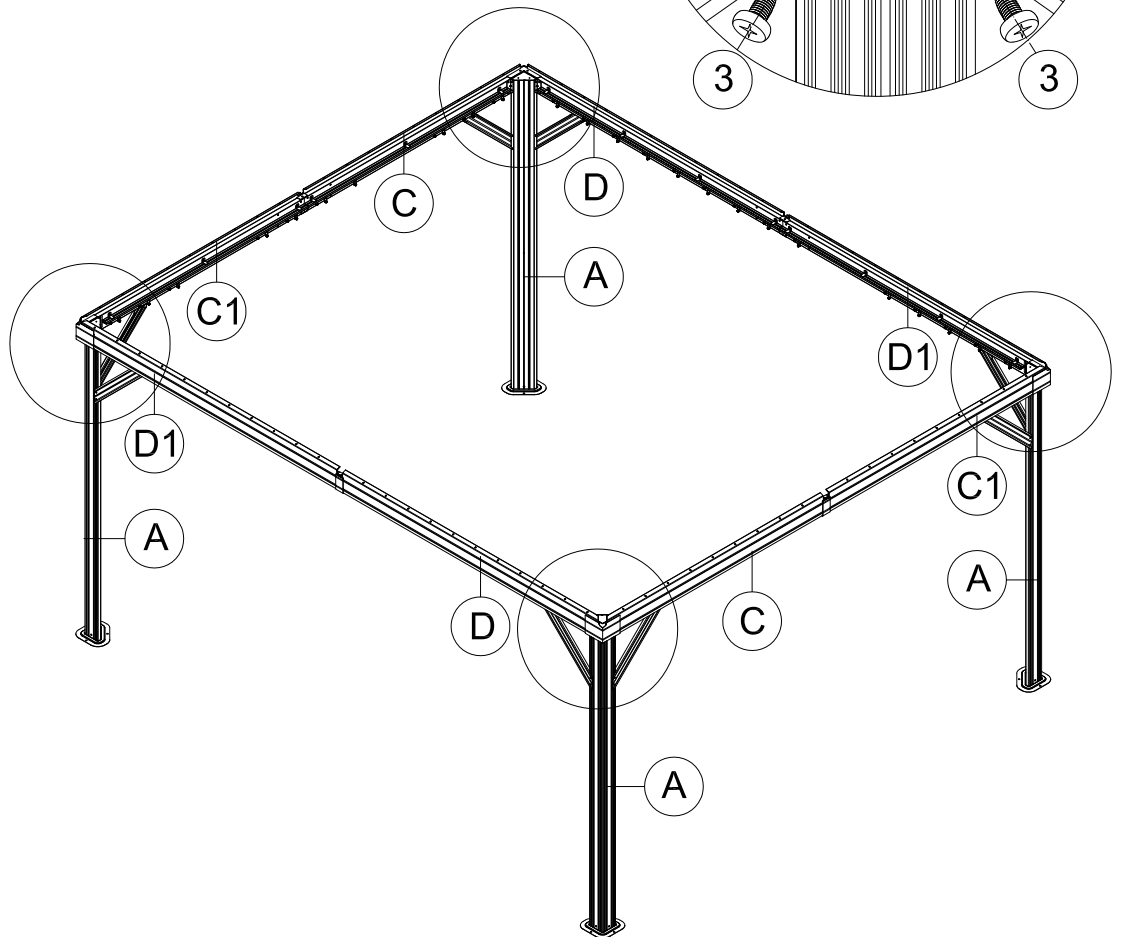
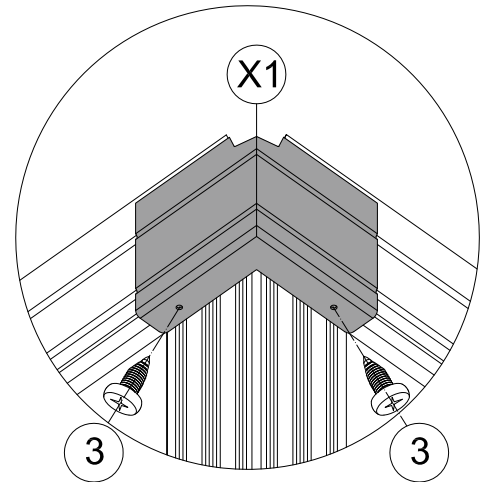
3 16x



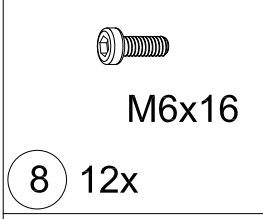
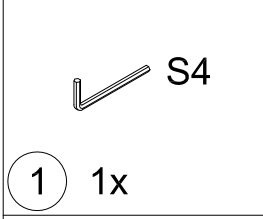
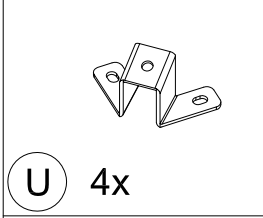
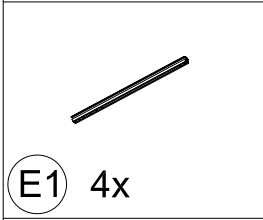
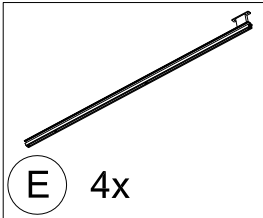
(1) Cover the corner with Part #X1. Screws #3. (from top to bottom)
(2) Secure with 2 Self-tapping Screws #3.



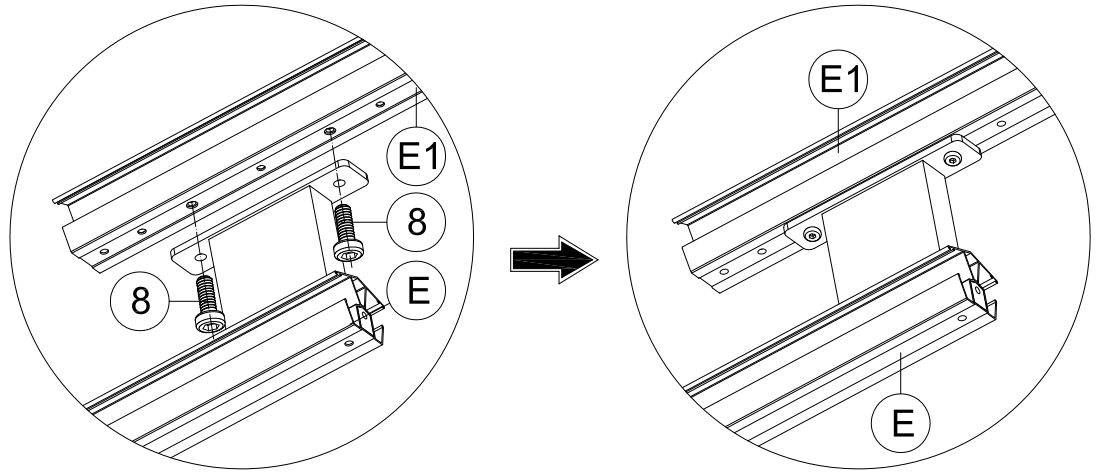
(3) Secure with 2 Self-tapping Screws #3. (from bottom to top)



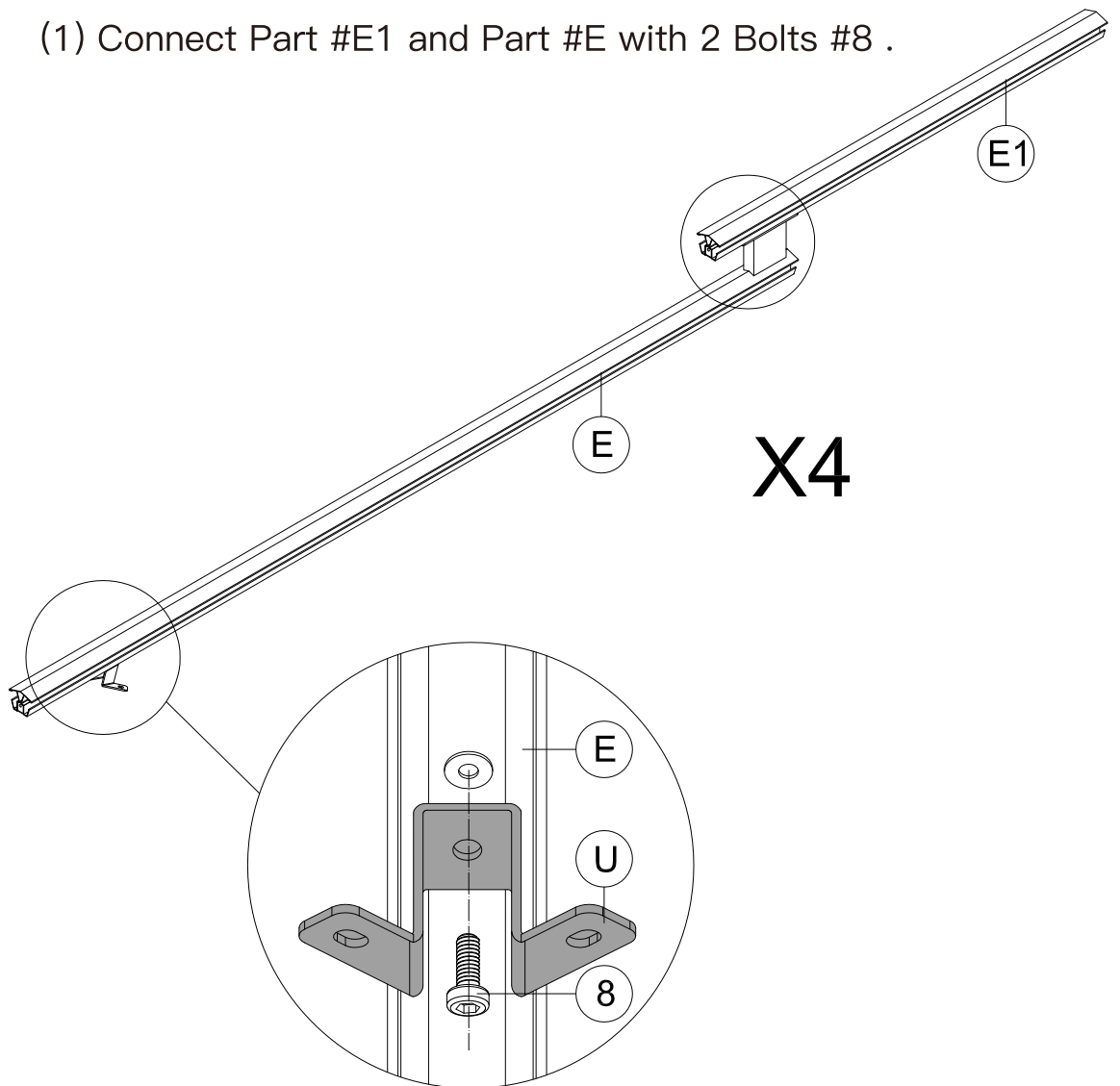
(4) Repeat the above procedures to assemble the other 3 corners.



Assemble the 4 Corner Roof Bars:

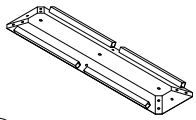


(1) Connect Part #E1 and Part #E with 2 Bolts #8 .

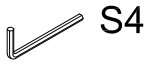


(2) Attach Part #U to Part #E with Bolt #8 .

(3) Repeat the above procedures to assemble the other 3 corner roof bars.



S 1x



1 1x



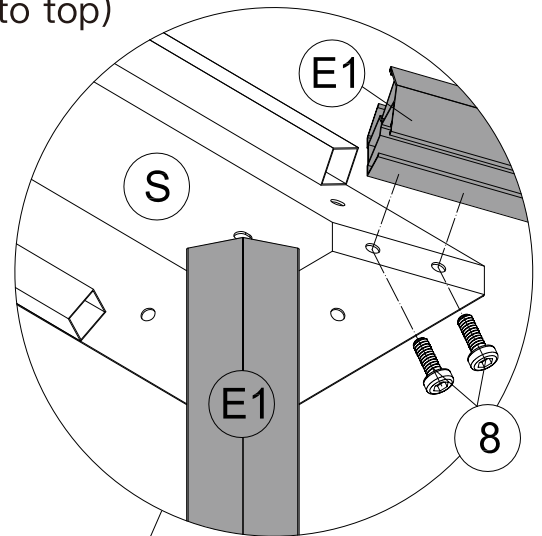
M6x16

8 16x

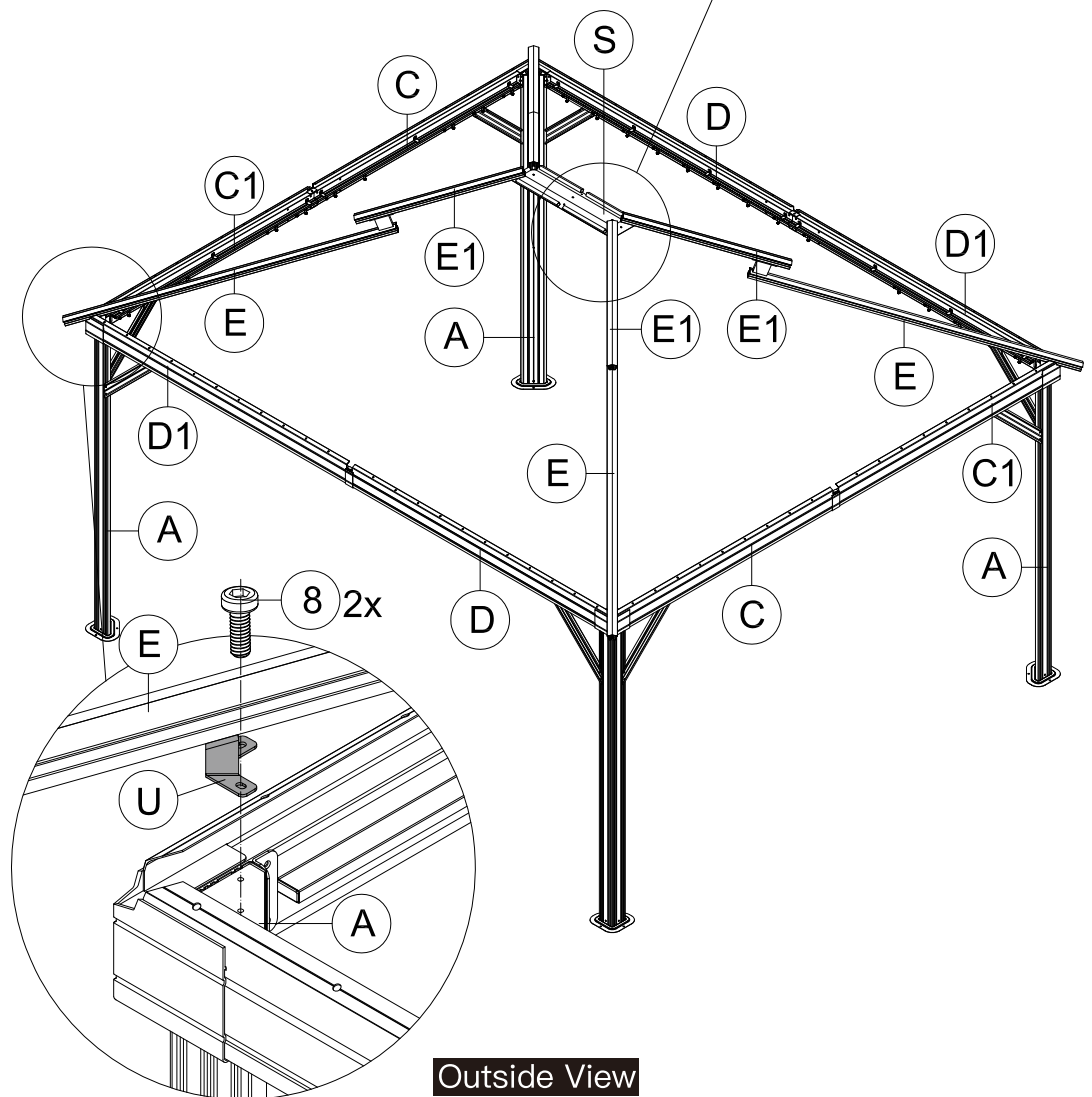
Please have a freestanding ladder ready at the center of the gazebo.

(1) Place 4 Part #E1 on the 4 corners of Part #S.
Secure with 8 Bolts #8 (from bottom to top)

ATTENTION: You can also finish this step on the ground and then lift 4 corner roof bar and inside roof connector to the top together. (Need 2 people and 2 ladder)

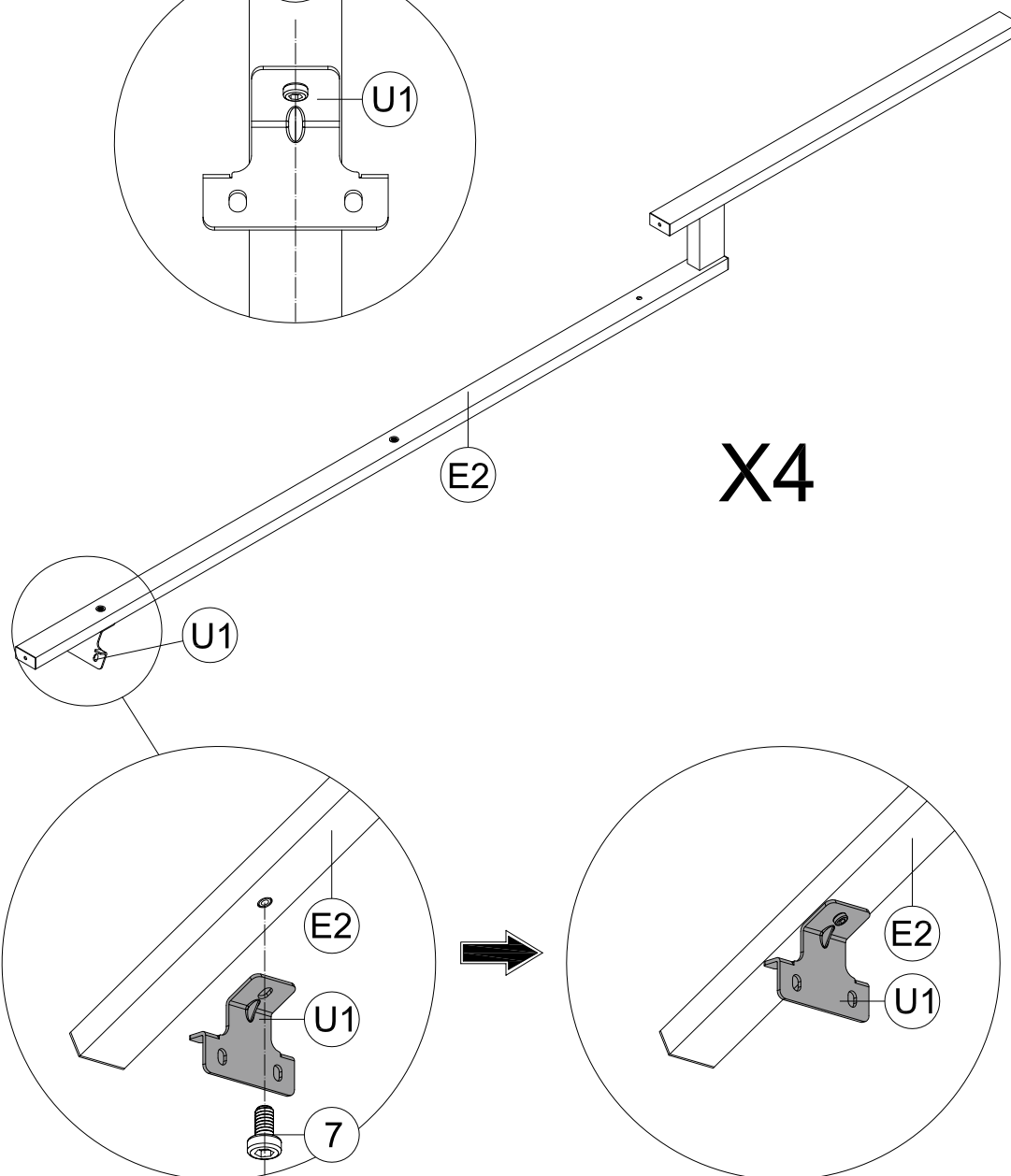
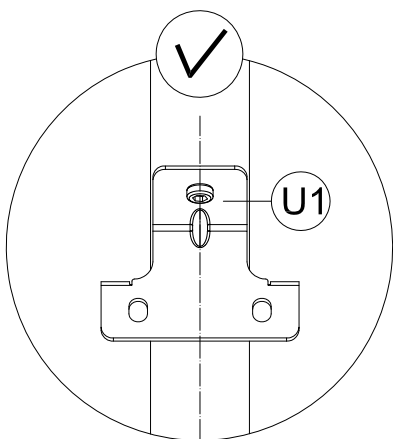
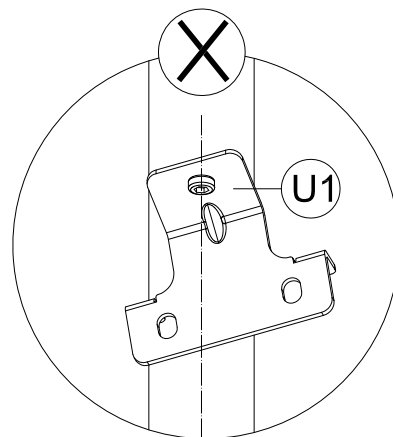
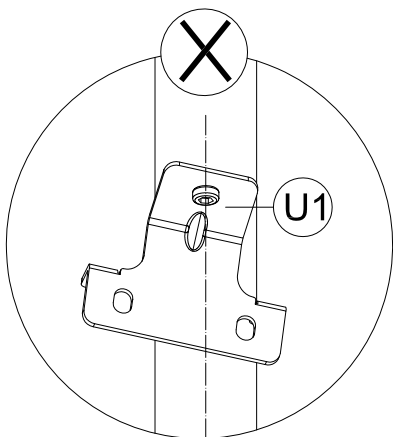
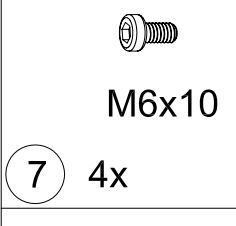
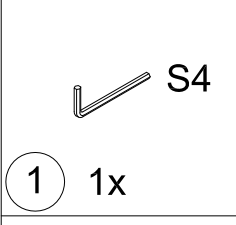
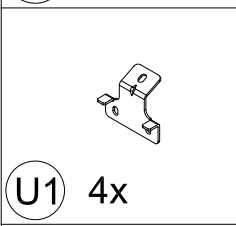
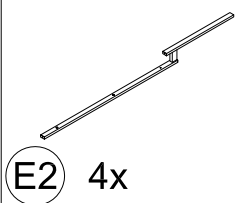


Outside View

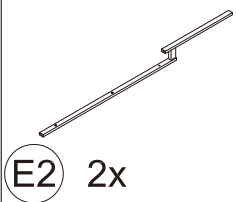


Outside View

(2) Place 4 Part #E on 4 Part #A; Secure with 8 Bolts #8.



- (1) Attach Part #U1 to Part #E2 with Bolt #7 .
- (2) Repeat the above procedures to assemble the other 3 roof bars.



E2 2x

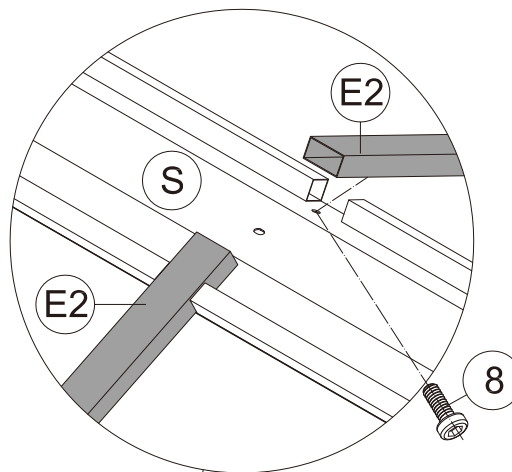


1 1x



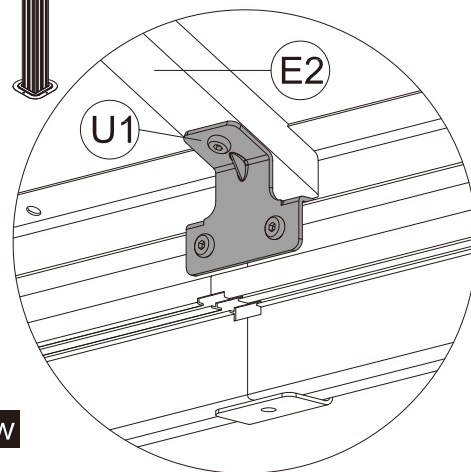
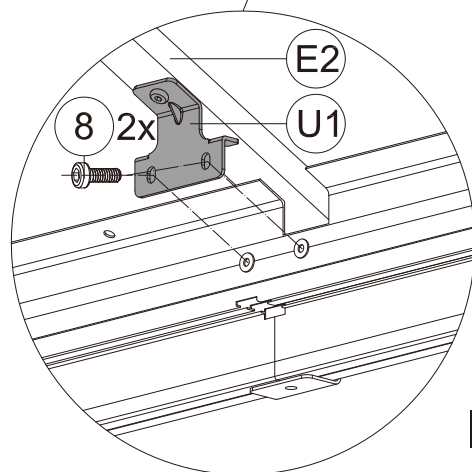
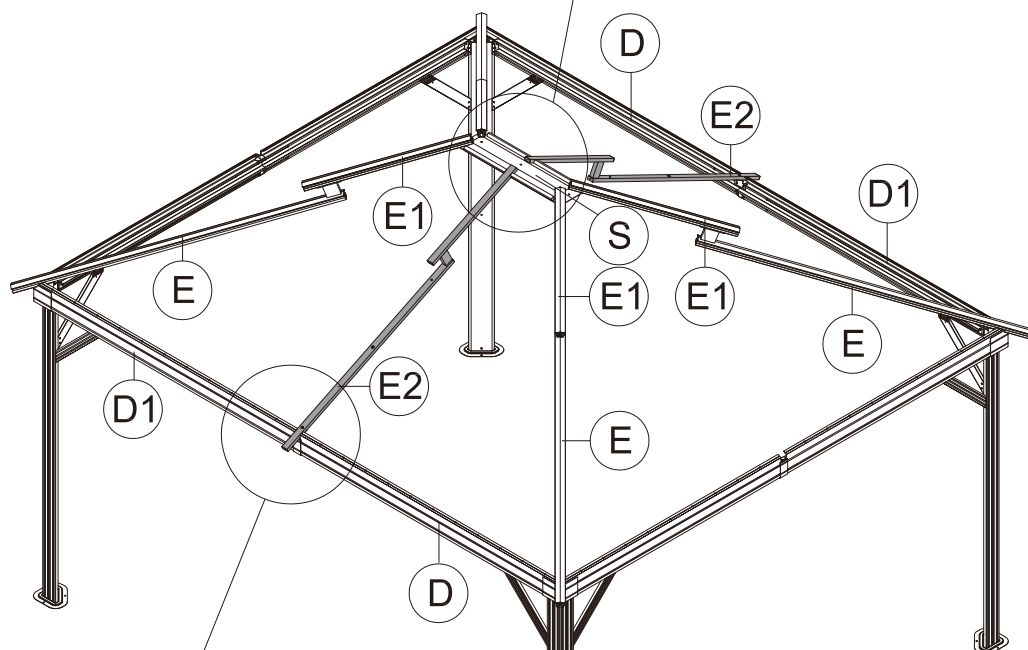
M6x16

8 6x



Outside View

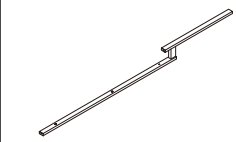
(1) Place Part #E2 on Part #S.
Secure with Bolt #8 (from bottom to top).



Inside View

(2) Connect Part #E2 and the Assembled Beam(D&D1) with part #U1.
Secure with 2 Bolts #8.

(3) Repeat the above procedures to assemble the opposite side.



E2 2x



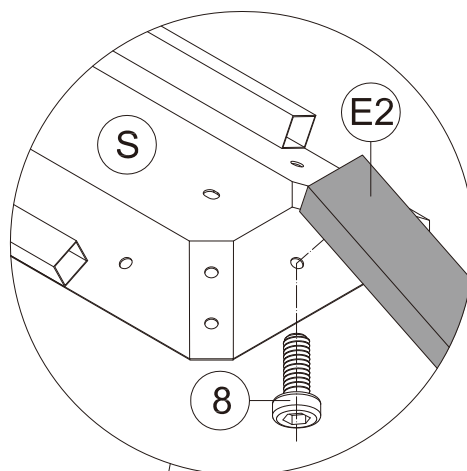
1 1x



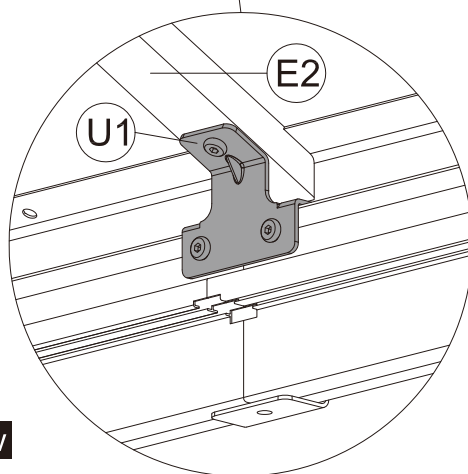
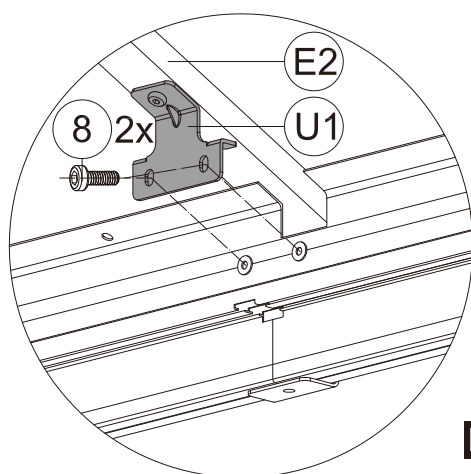
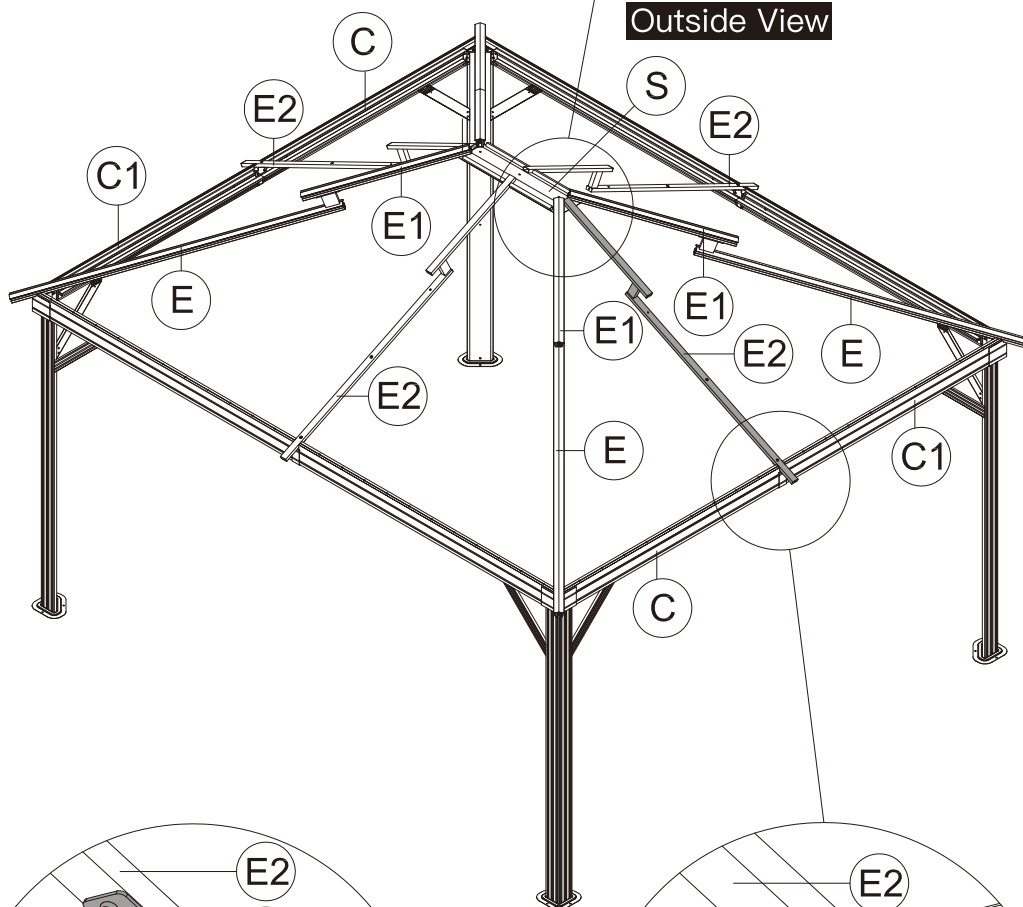
M6x16

8 6x

(1) Place Part #E2 on part #S. Secure with Bolt #8 (from bottom to top).



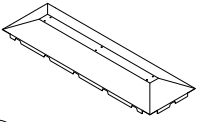
Outside View



Inside View

(2) Connect Part #E2 and the Assembled Beam(C&C1) with part #U1. Secure with 2 Bolts #8 .

(3) Repeat the above procedures to assemble the opposite side.

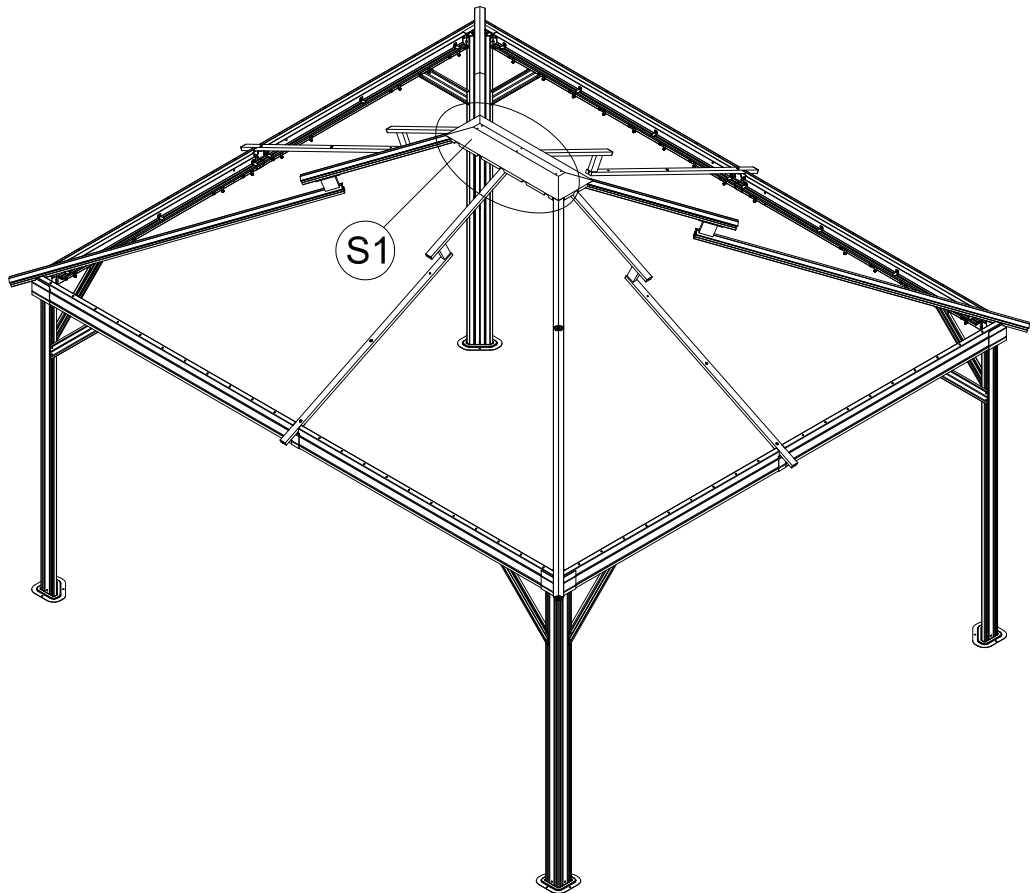
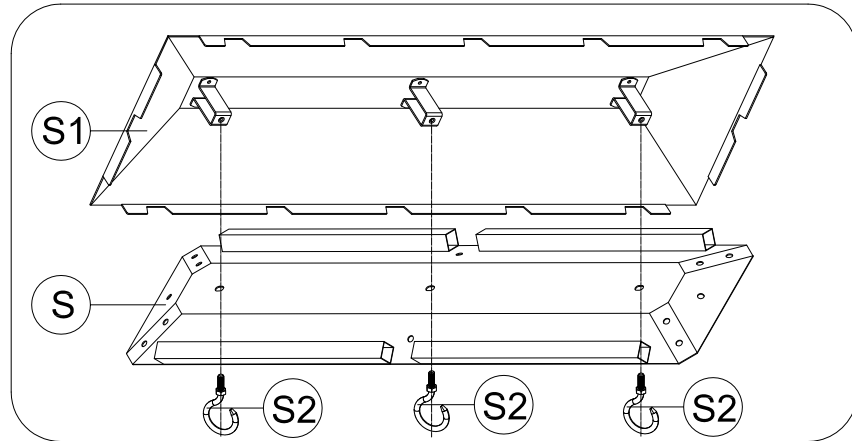


(S1) 1x

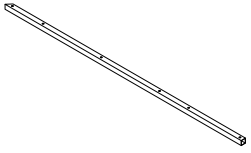


(S2) 3x

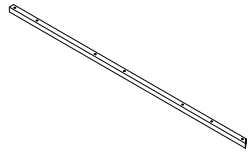
Secure Part #S2 to Part #S and Part #S1.
(From Bottom to Top)



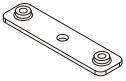
ATTENTION: The holes of Part #S and Part #S1 need to be aligned, on the same vertical line.



G 2x



G1 2x



U3 2x



1 1x



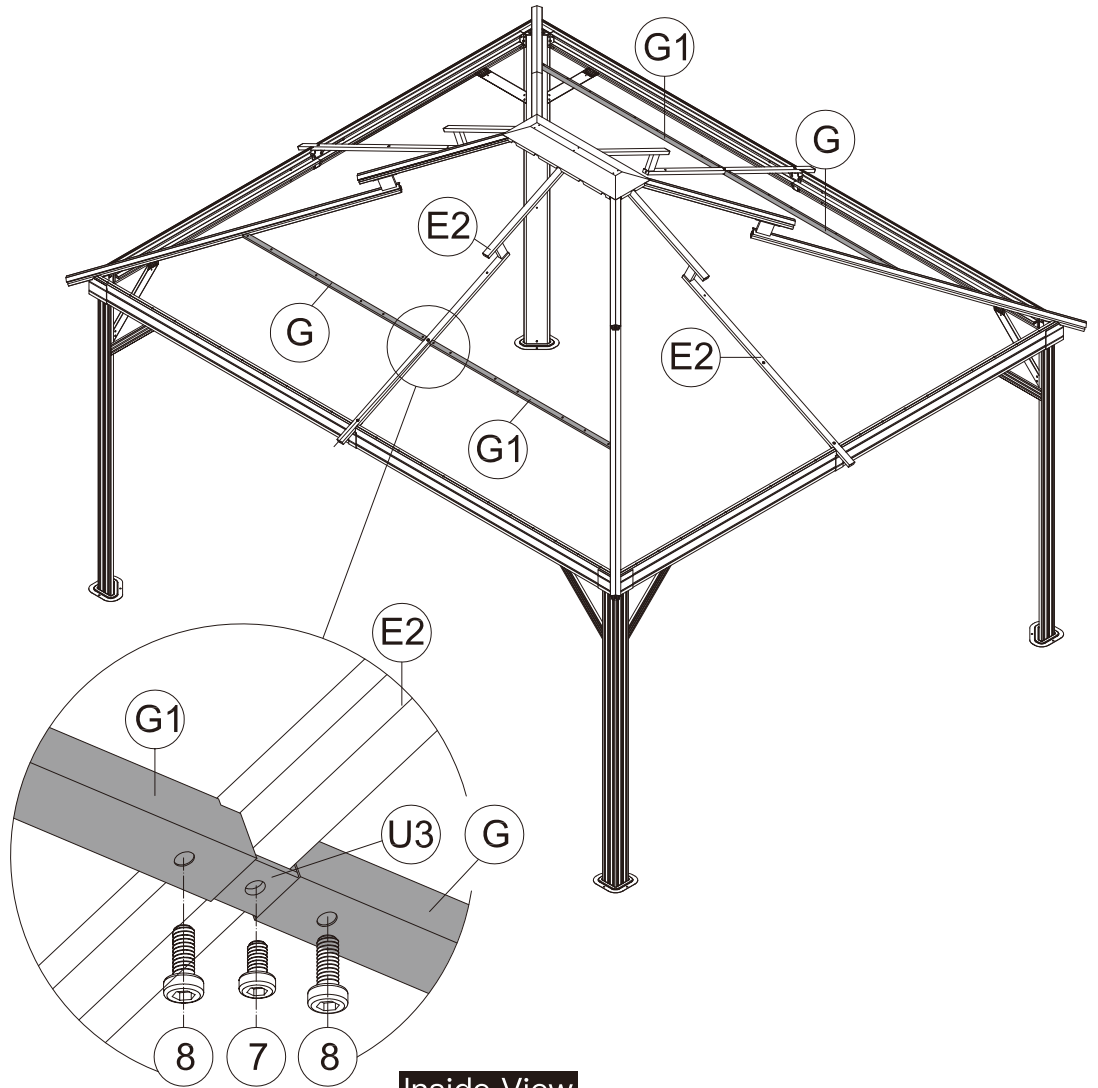
M6x10

7 2x



M6x16

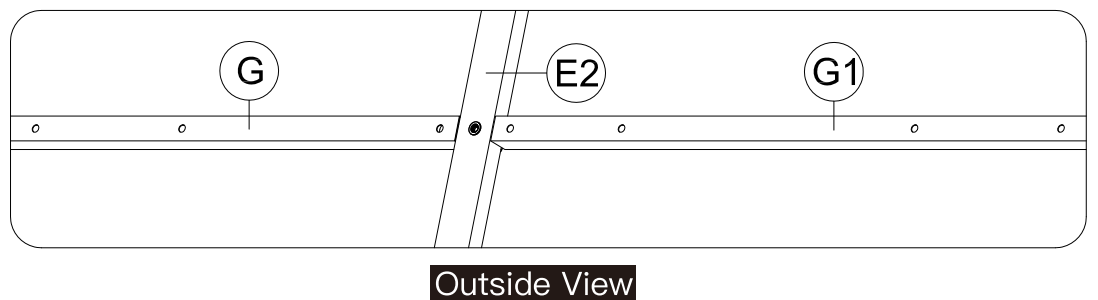
8 4x

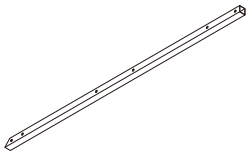


(1) Insert Part #U3 into Part #G and Part #G1.

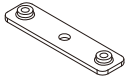
(2) Attach Part #G and Part #G1 to the Part #E2 with 1 Bolt #7 and 2 Bolts #8.

(3) Repeat the above procedures to assemble the opposite side.





F 4x



U3 2x



1 1x



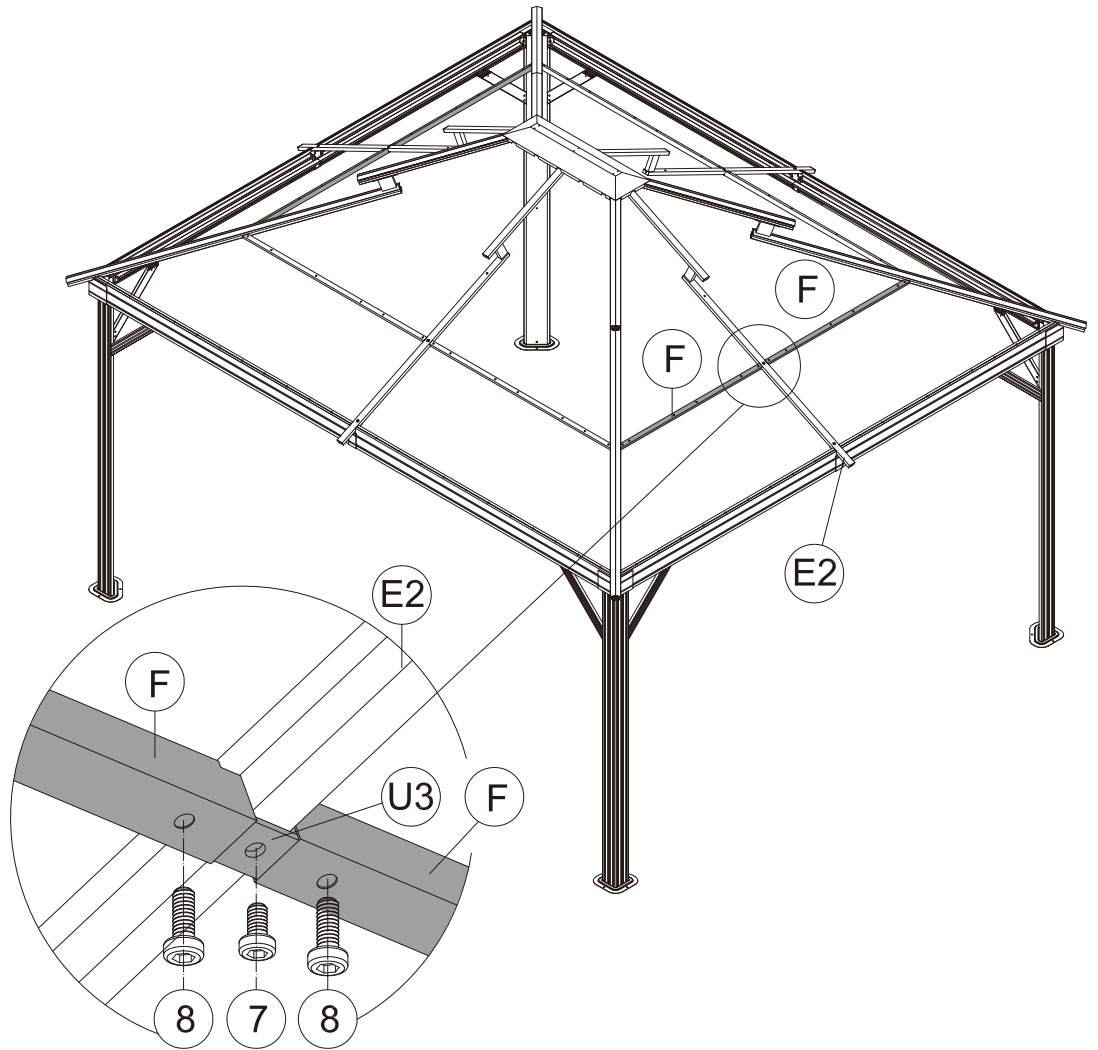
M6x10

7 2x



M6x16

8 4x

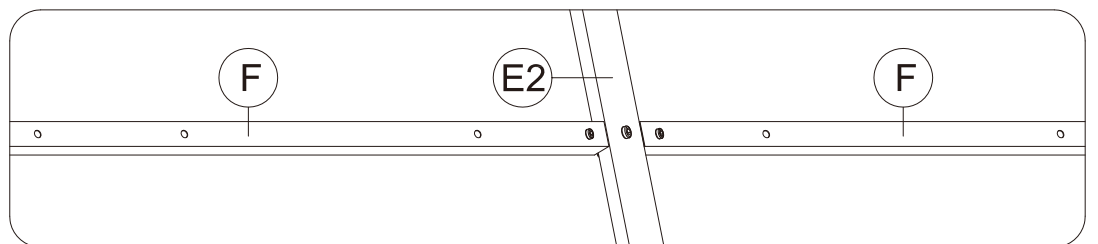


Inside View

(1) Insert Part #U3 into 2 Part #F.

(2) Attach Part #F to the Part #E2 with 1 Bolt #7 and 2 Blots #8.

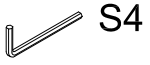
(3) Repeat the above procedures to assemble the opposite side.



Outside View



U2 4x

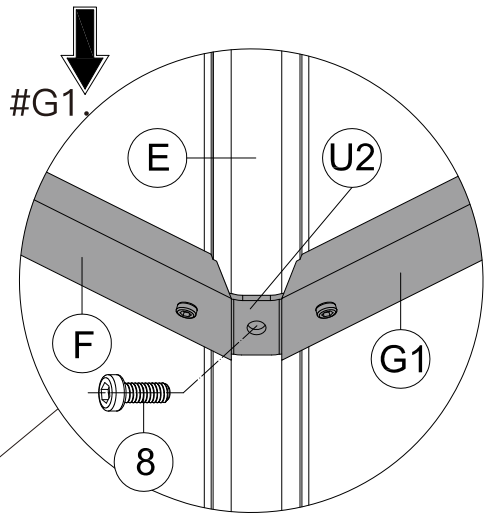
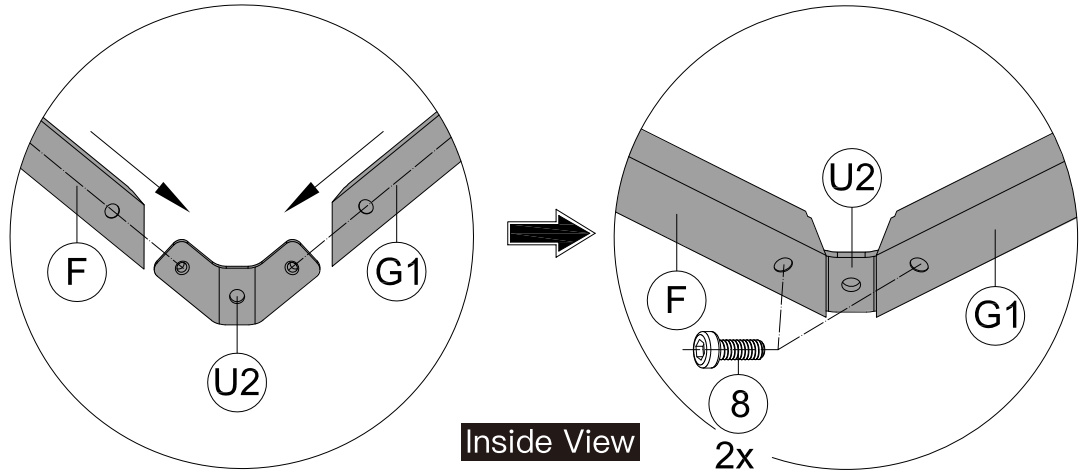


1 1x

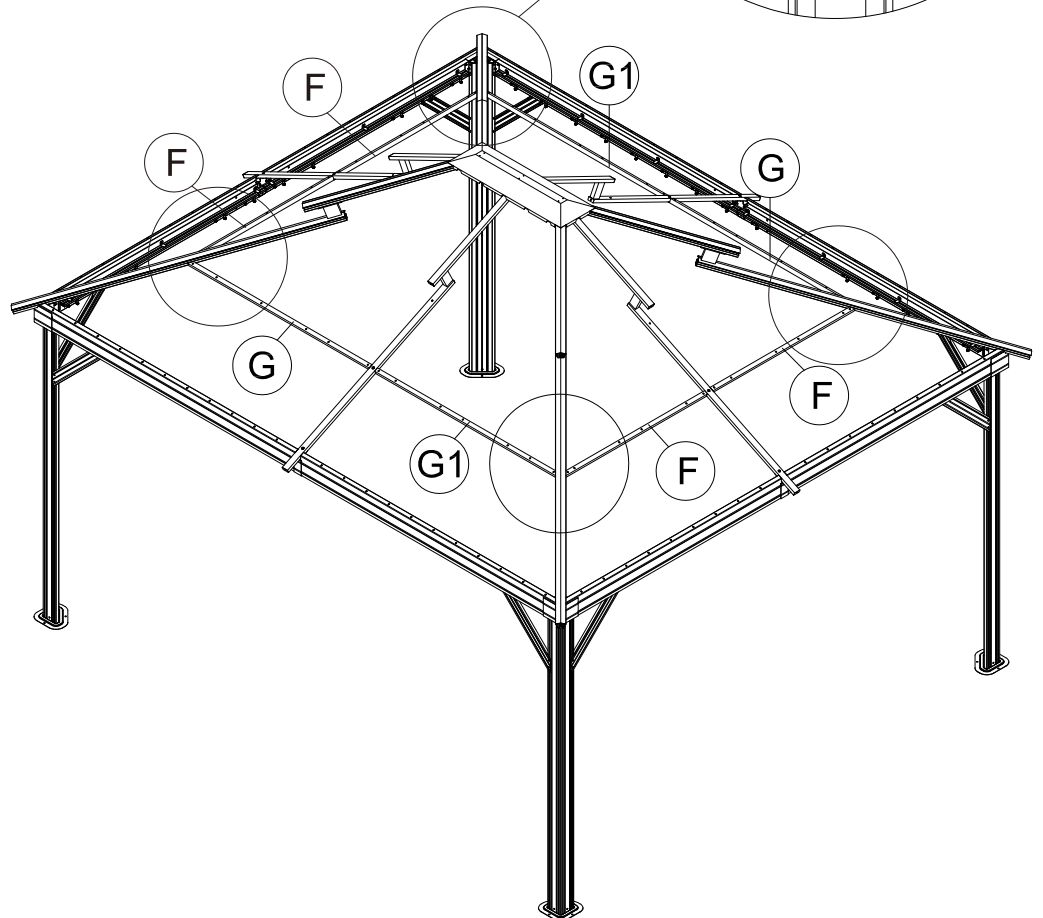


M6x16

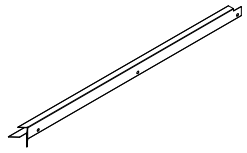
8 12x



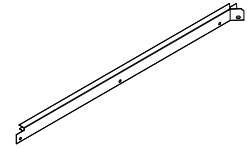
- (1) Insert Part #U2 into Part #F and Part #G1.
- (2) Secure with 2 Bolts #8.
- (3) Secure them to Part #E with Bolt #8.



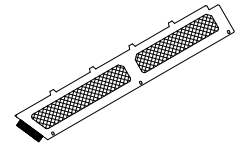
- (4) Repeat the above procedures to assemble the other 3 corners.



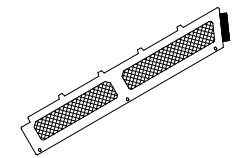
J1 2x



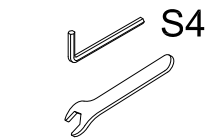
J2 2x



Q1 2x



Q2 2x



1 1x

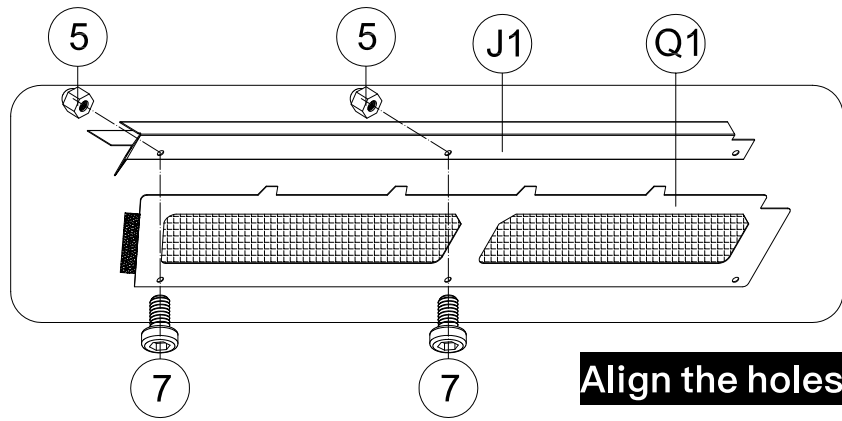


5 8x



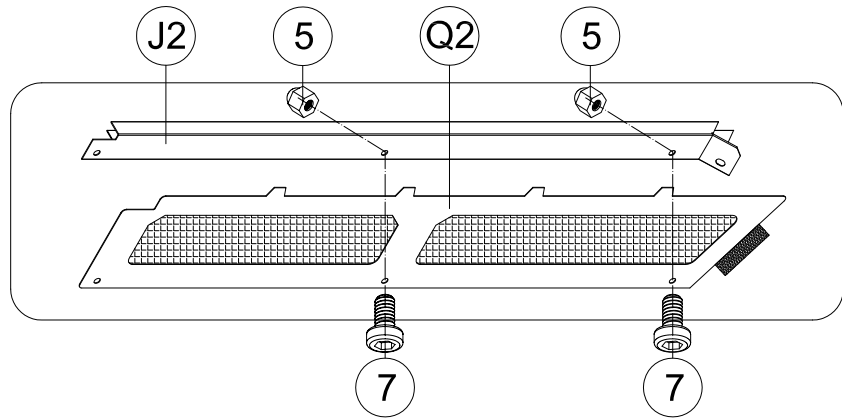
7 8x

(1) Connect Part #J1 and Part #Q1 with 2 Bolts #7 and 2 Nuts #5.

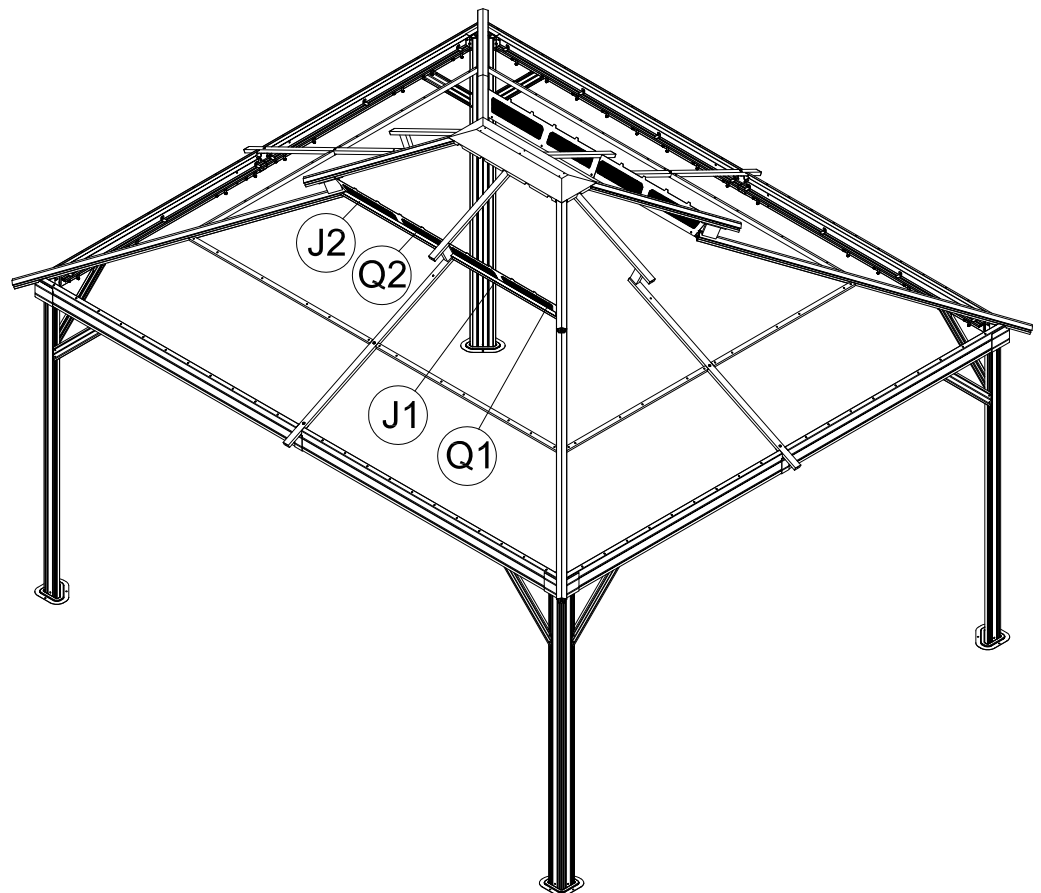


X2

(2) Connect Part #J2 and Part #Q2 with 2 Bolts #7 and 2 Nuts #5.



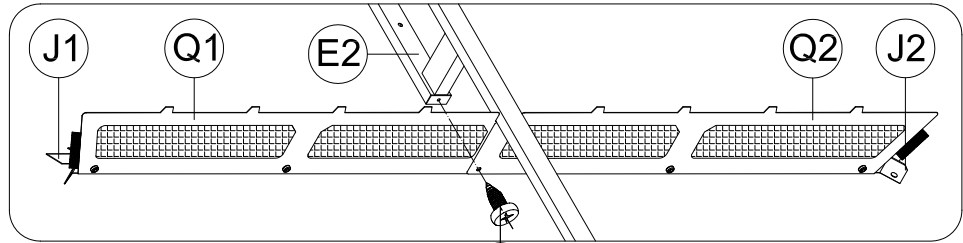
X2





ST6.3x15

2 2x

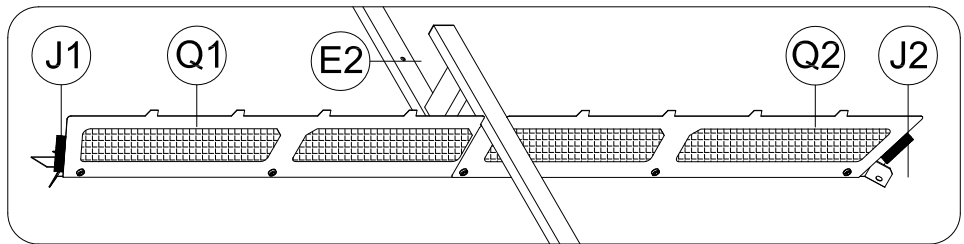


2

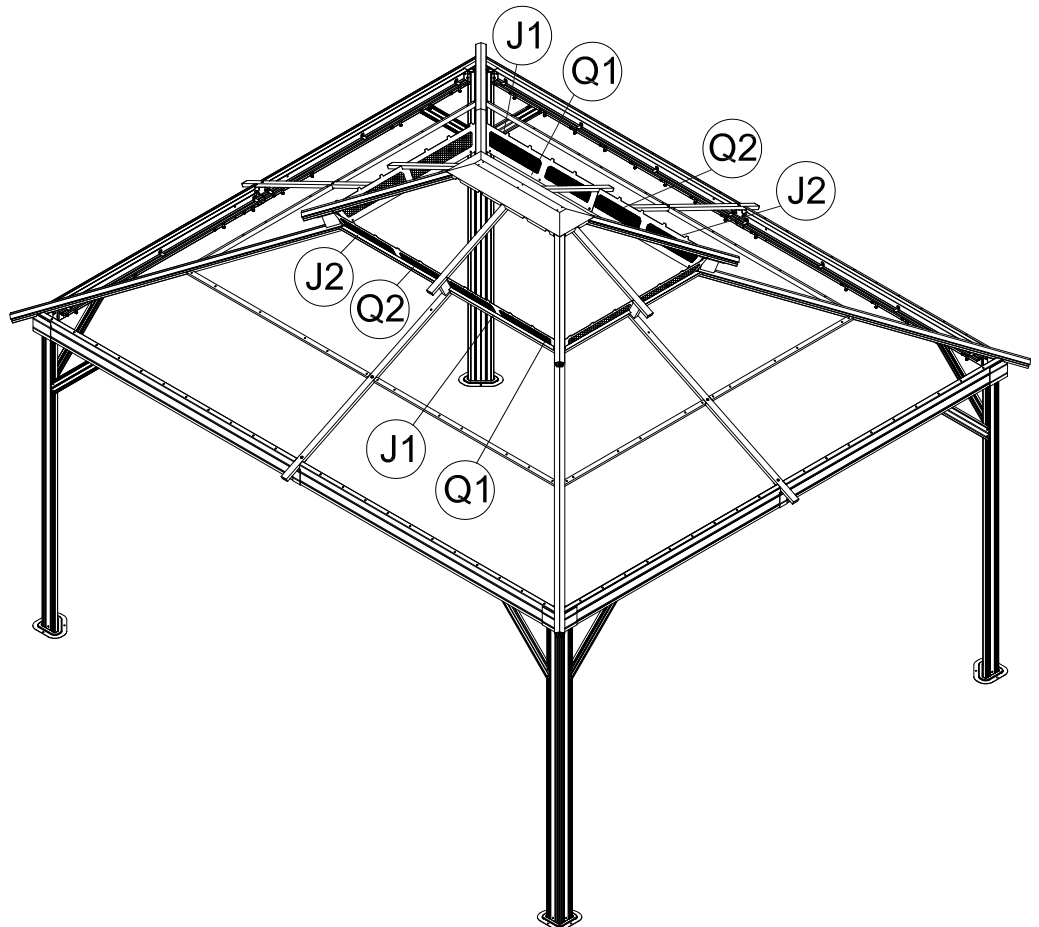


Align the holes

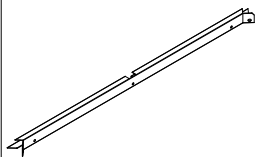
Inside View



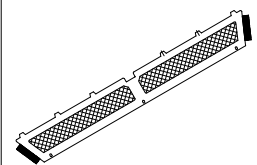
(1) Place the Assembled J1 & Q1 and J2 & Q2 on Part #E2, securing with 1 Self-tapping Screw #2.



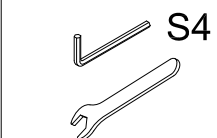
(2) Repeat the above procedures to assemble the opposite side.



J 2x



Q 2x



1 1x



5 4x

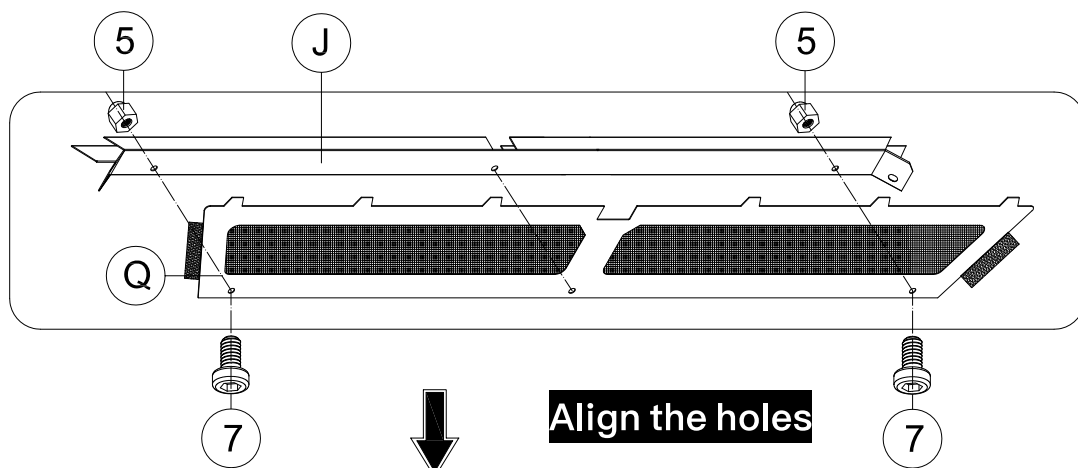


7 4x



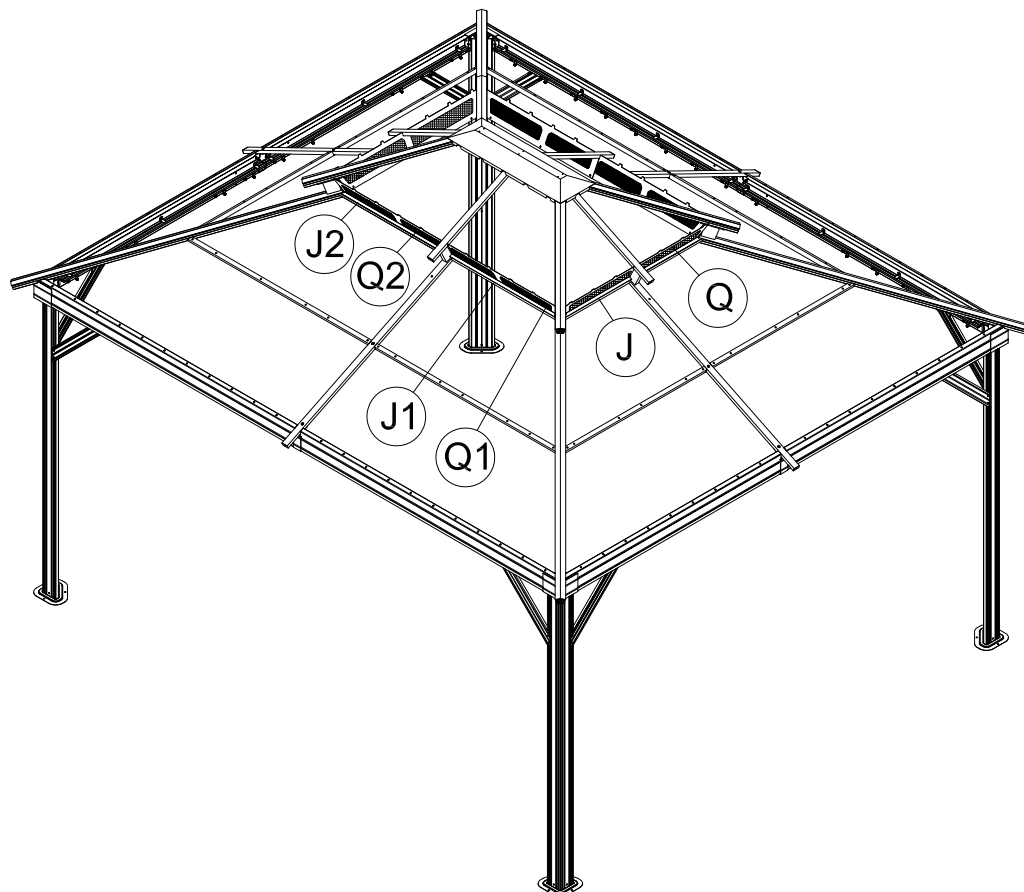
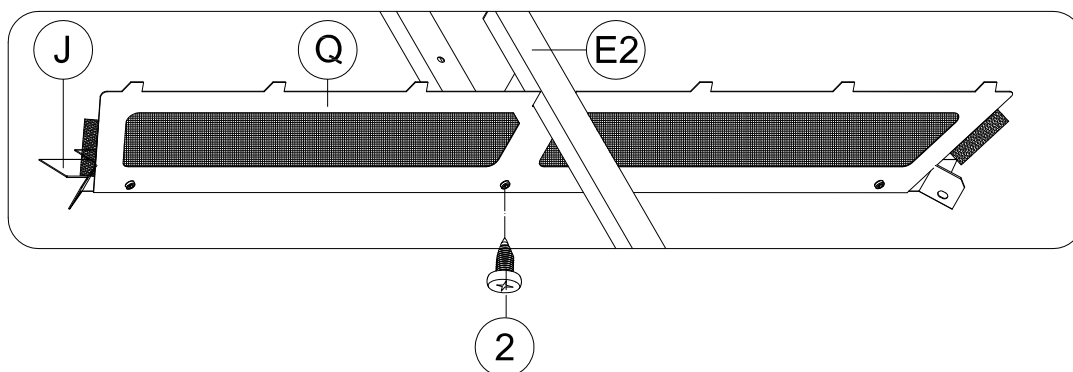
2 2x

(1) Connect Part #J and Part #Q with 2 Bolts #7 and 2 Nuts #5.



Align the holes

(2) Place the Assembled Part #J & #Q on Part #E2, securing with 1 Self-tapping Screw #2.



(3) Repeat the above procedures to assemble the opposite side.



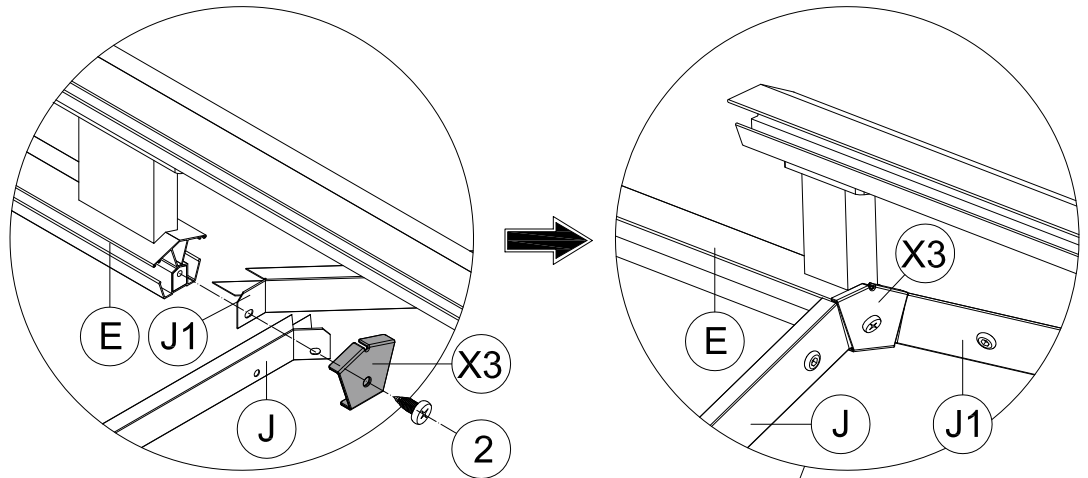
X3 4x



ST6.3x15

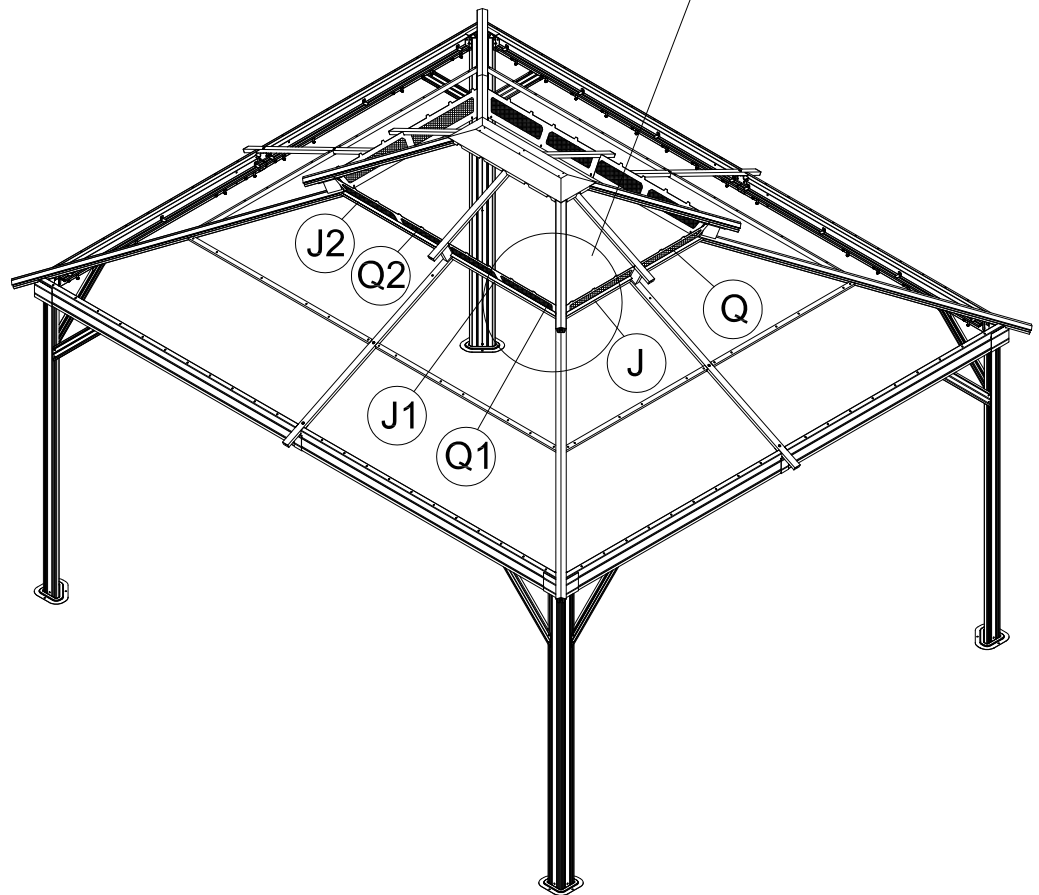
2 4x

(1) Place Part #J and Part #J1 on Part #E;
put on Part #X3 and secure with Self-tapping Screw #2.



Inside View

Inside View

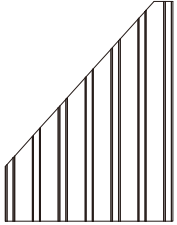


(2) Repeat the above procedures to assemble the other 3 corners.

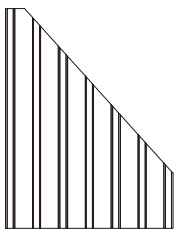
Cover Part #Z, #Z1 & #Z2 to Roof Panels.



L1 2x



L2 2x



L3 2x



L4 2x



Z 8x

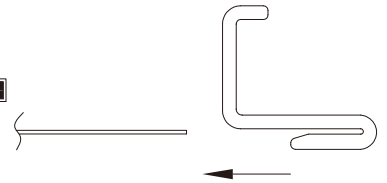
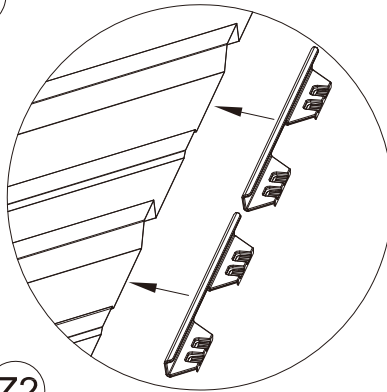
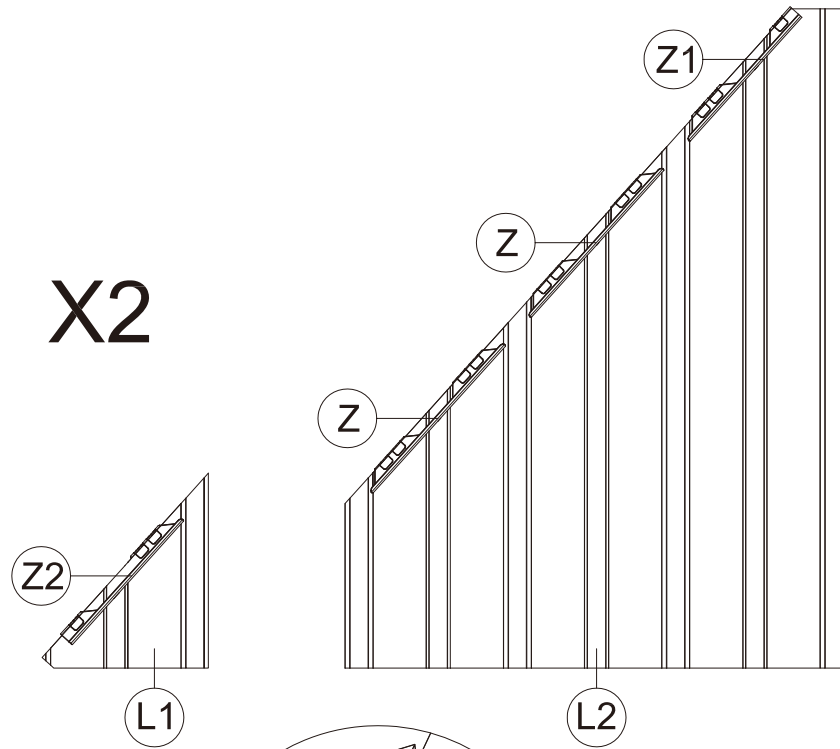


Z1 4x

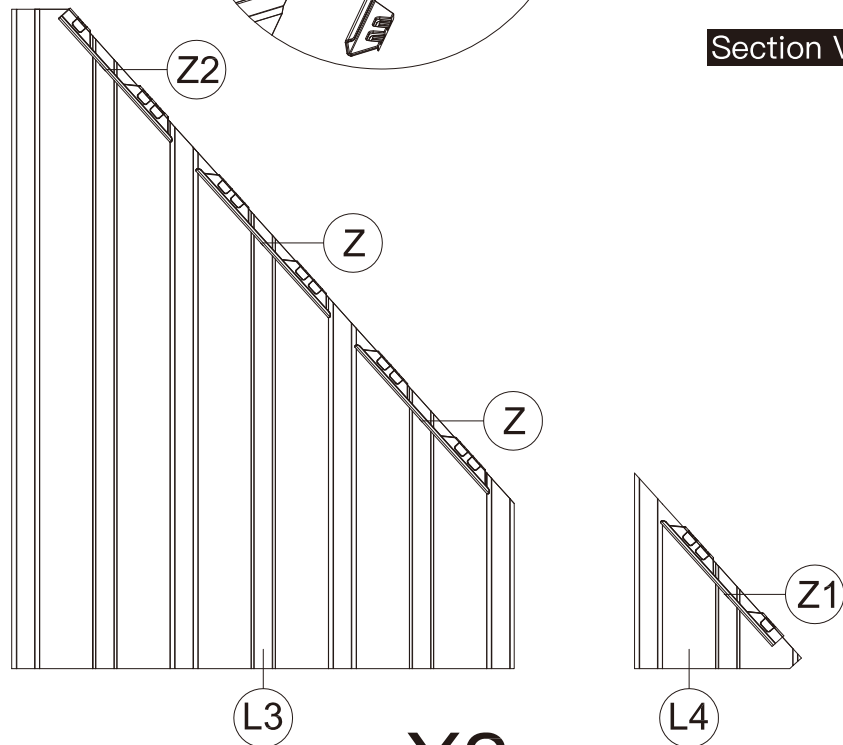


Z2 4x

31



Section View

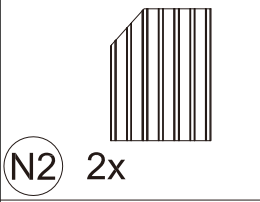


X2

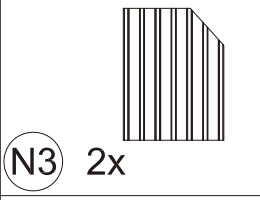
Cover Part #Z, #Z3 & #Z4 to Roof Panels.



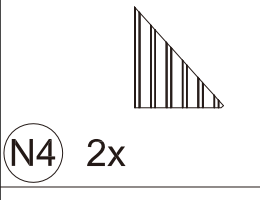
N1 2x



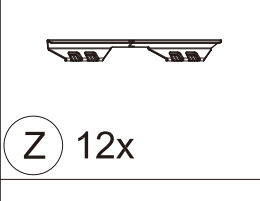
N2 2x



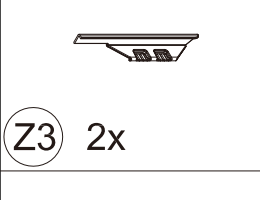
N3 2x



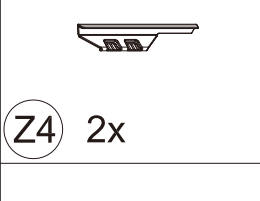
N4 2x



Z 12x

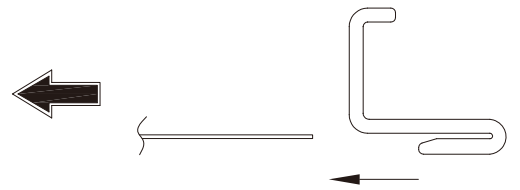
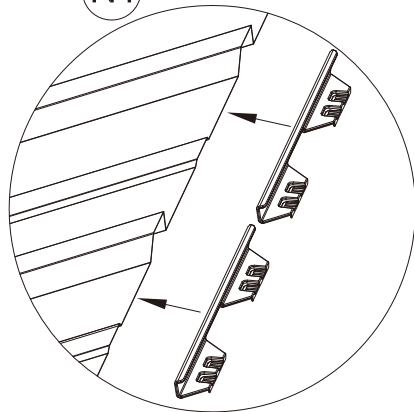
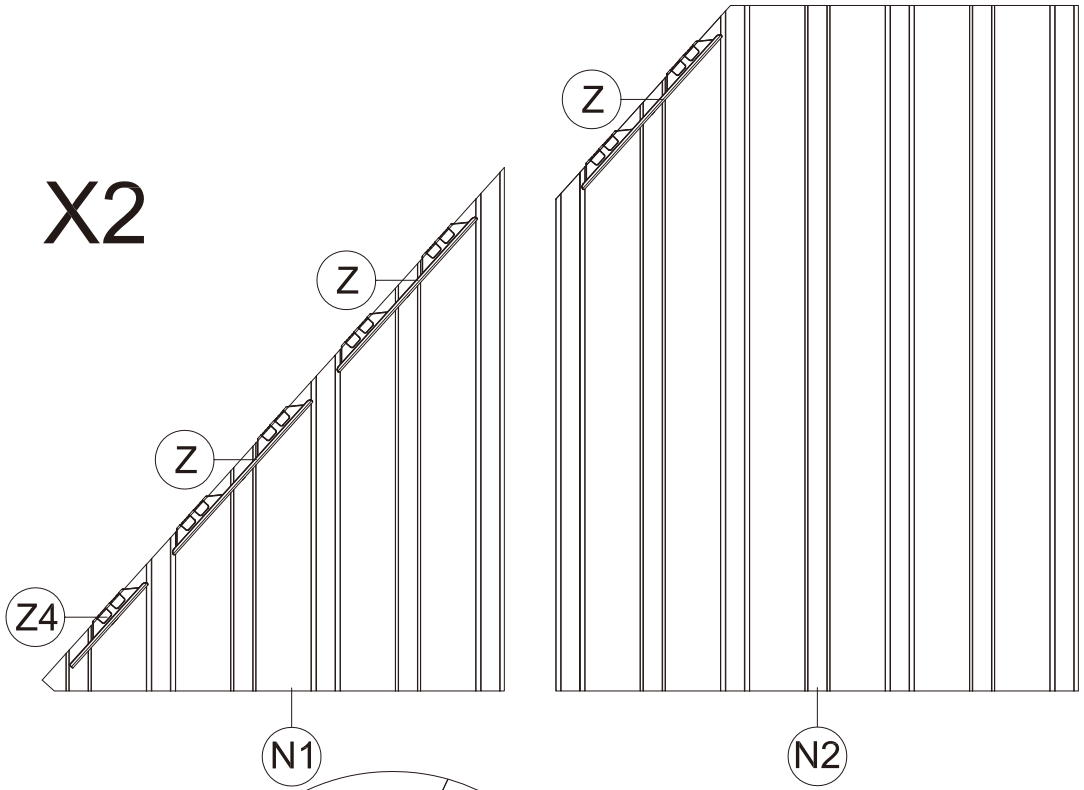


Z3 2x



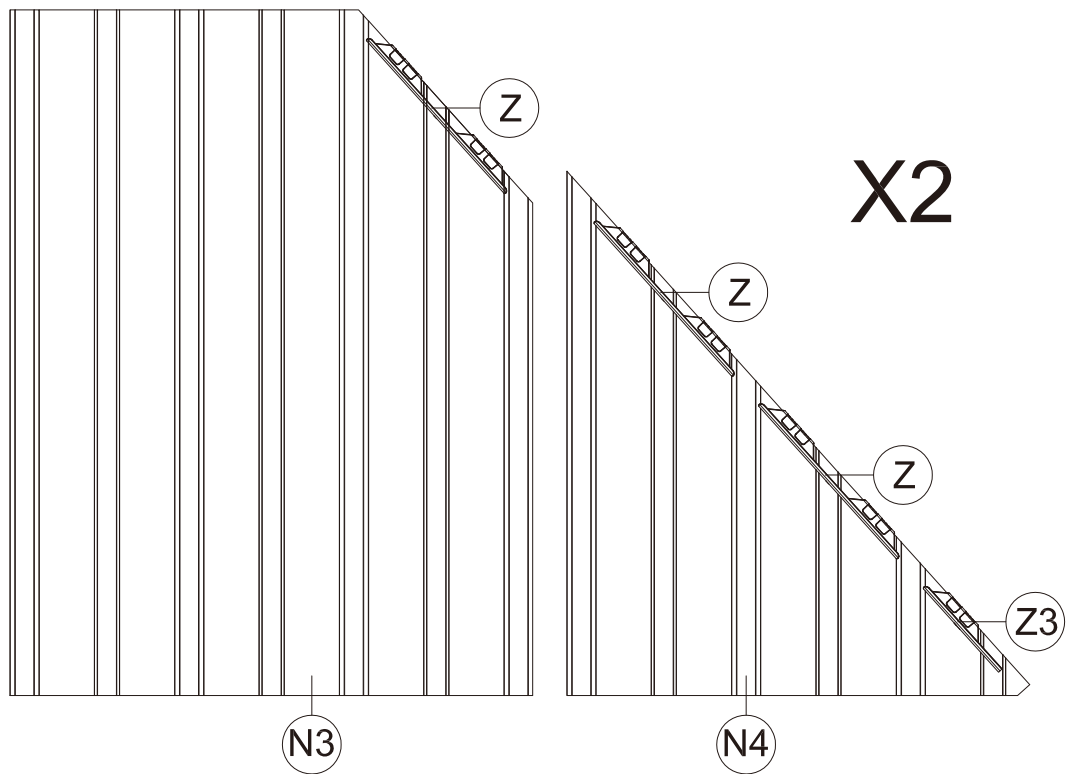
Z4 2x

X2

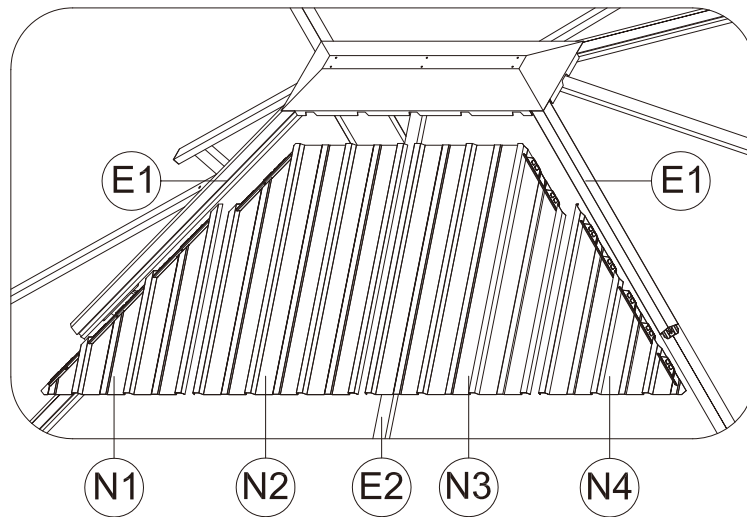


Section View

X2

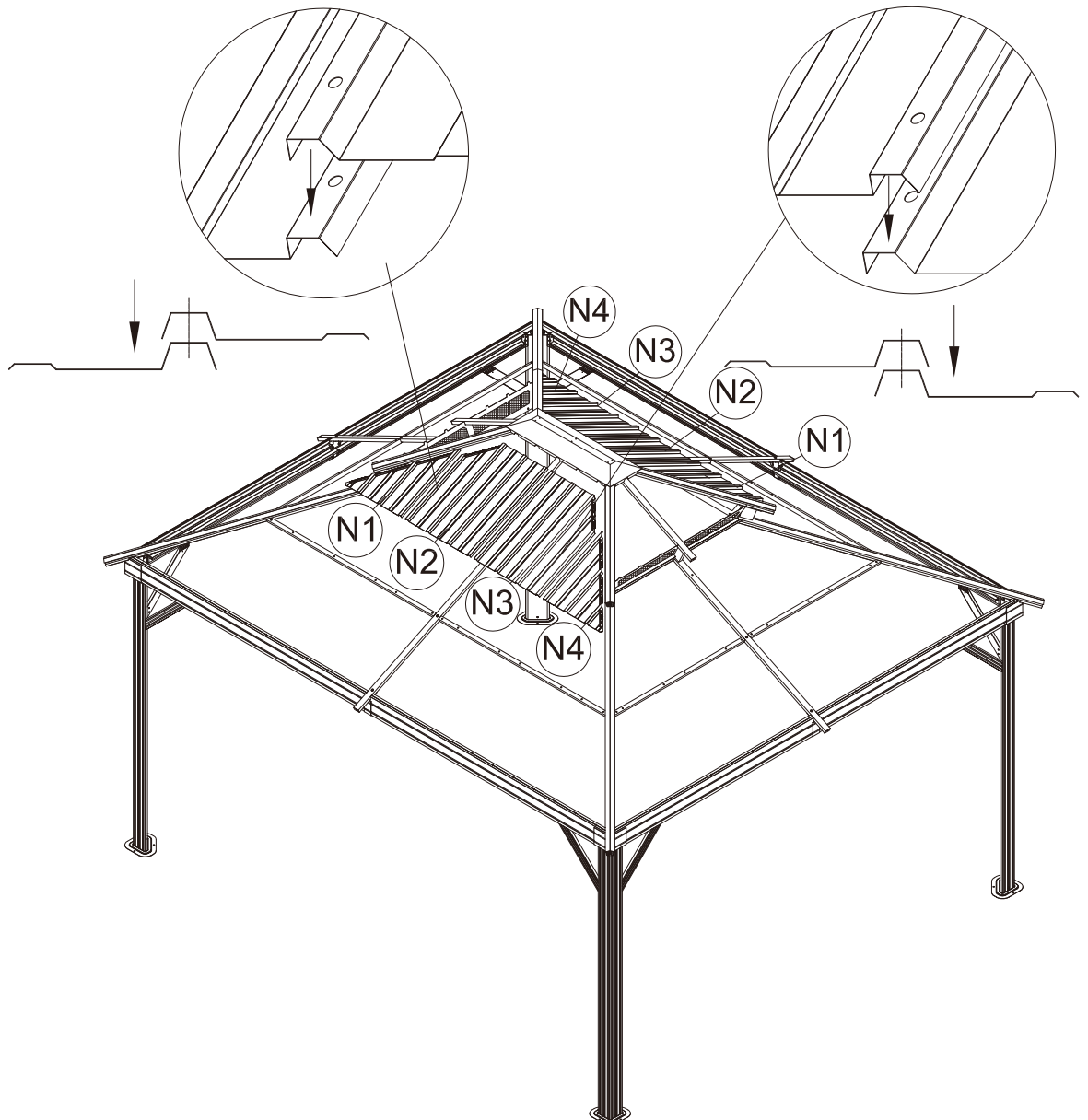


ATTENTION: The bigger roof panel need to cover the smaller one.

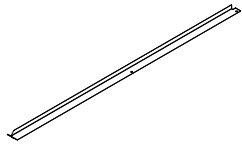


(1) Insert Part #N1 and Part #N2 into the frame.

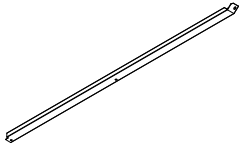
(2) Insert Part #N4 and Part #N3 into the frame.



(3) Repeat the above procedures to assemble the opposite side.



(H1) 2x



(H2) 2x



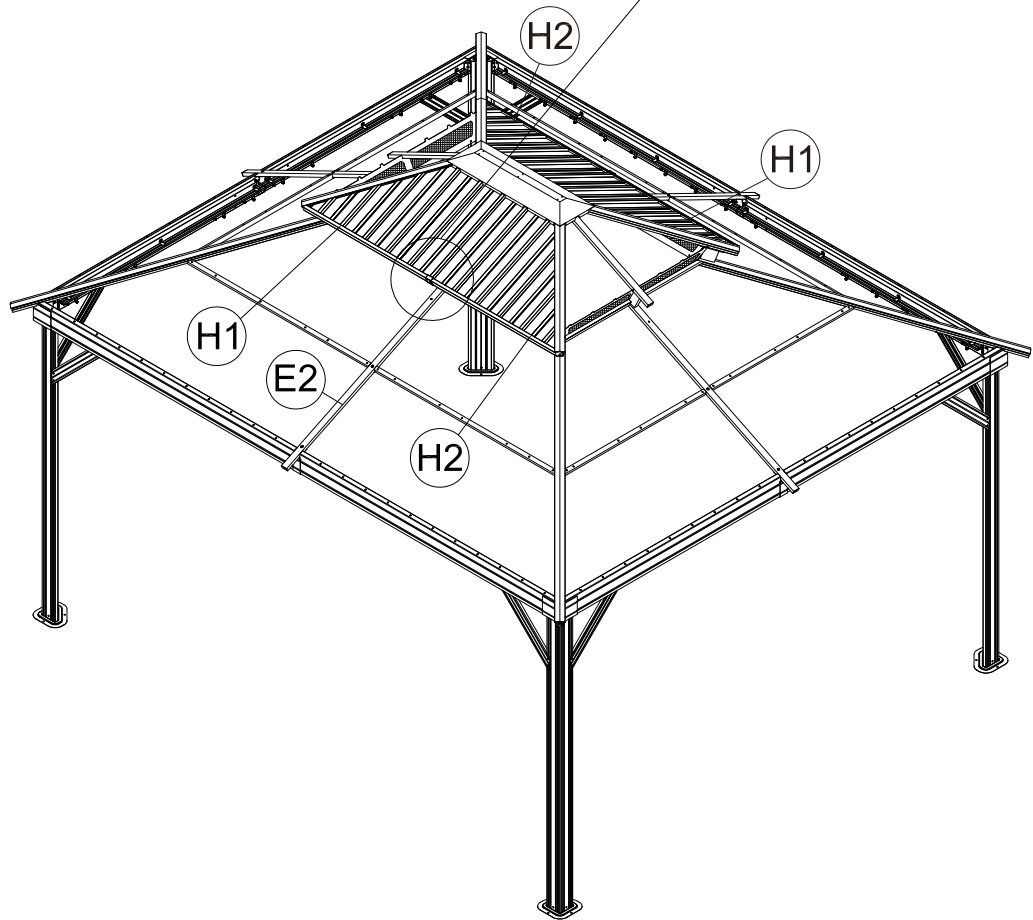
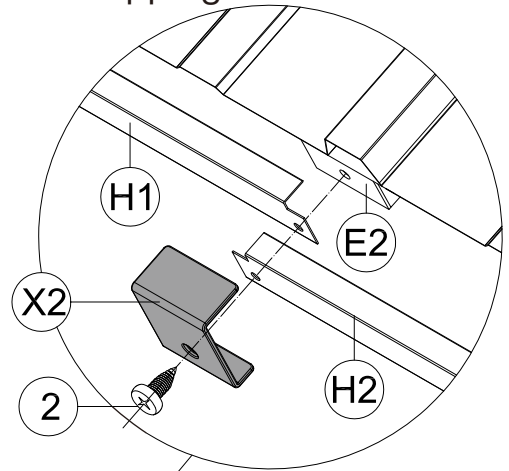
(X2) 2x



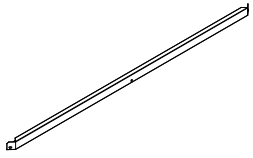
ST6.3x15

(2) 2x

(1) Place Part #H1 and Part #H2 on Part #E2;
put on Part #X2 and secure with Self-tapping Screw #2.



(2) Repeat the above procedures to assemble the opposite side.



H 2x



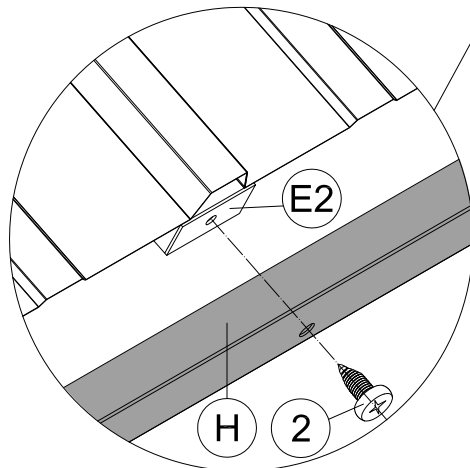
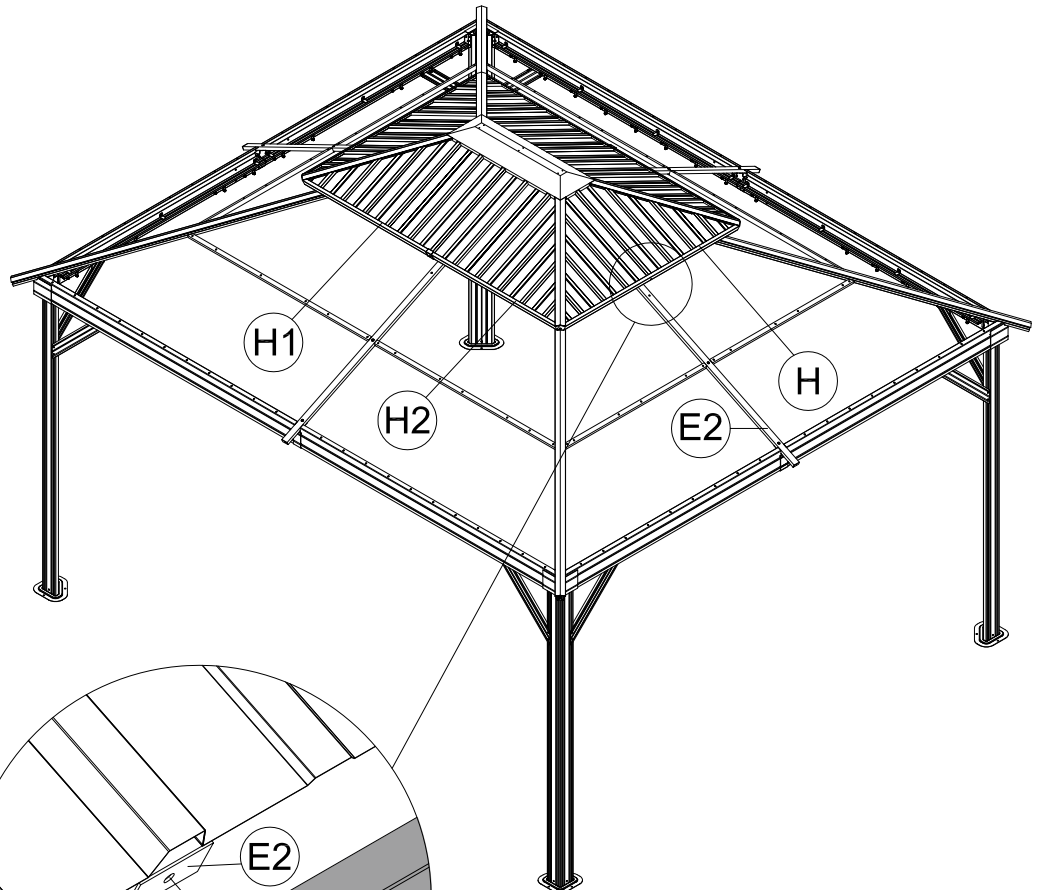
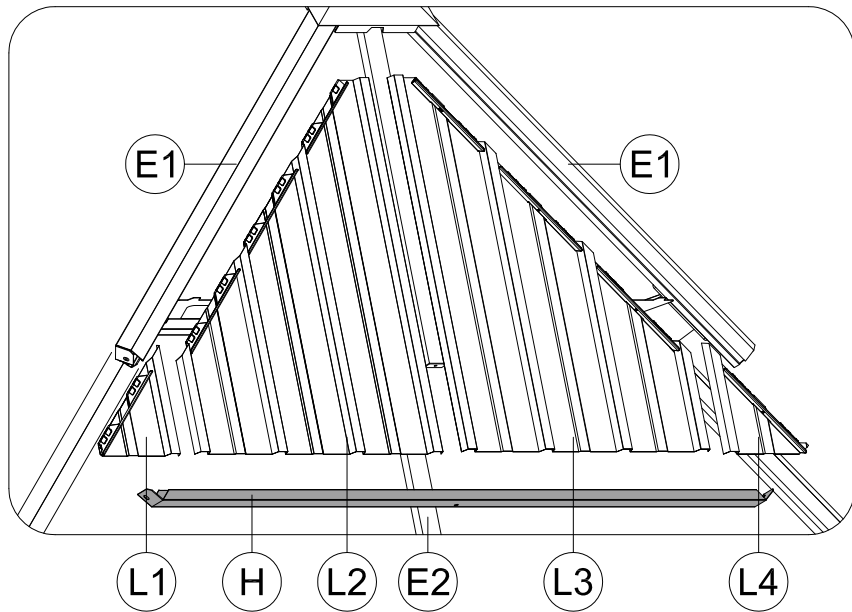
ST6.3x15

2 2x

ATTENTION: The bigger roof panel need to cover the smaller one.

(1) Insert Part #L1 and Part #L2 into the frame.

(2) Insert Part #L4 and Part #L3 into the frame.



(3) Attach Part #H to Part #E2, securing with Self-tapping Screw #2.

(4) Repeat the above procedures to assemble the opposite side.



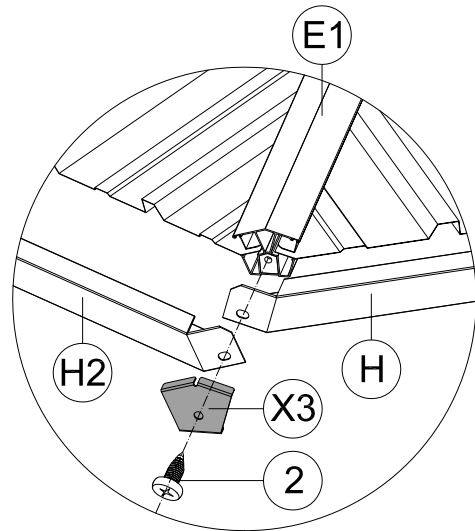
X3 4x



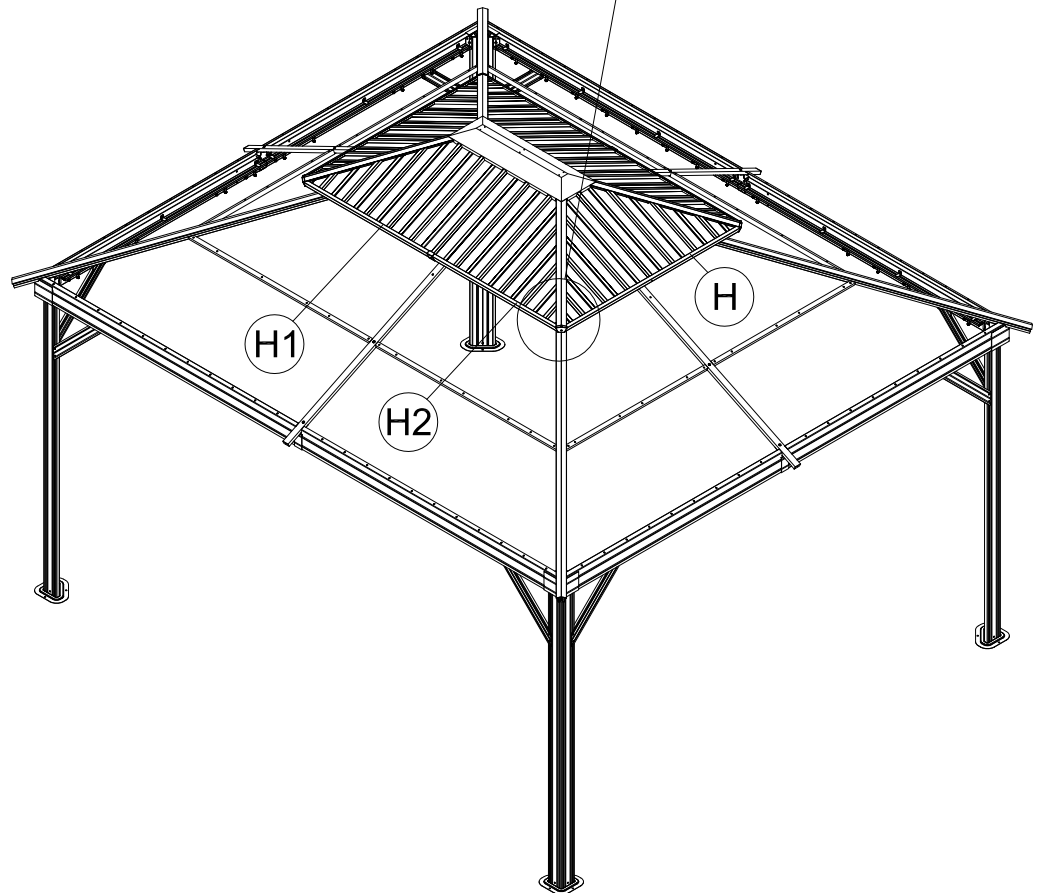
ST6.3x15

2 4x

(1) Place Part #H and Part #H2 on Part #E1;
put on Part #X3 and secure with Self-tapping Screw #2


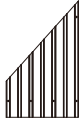

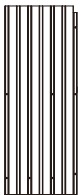
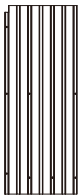

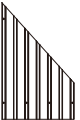




Outside View

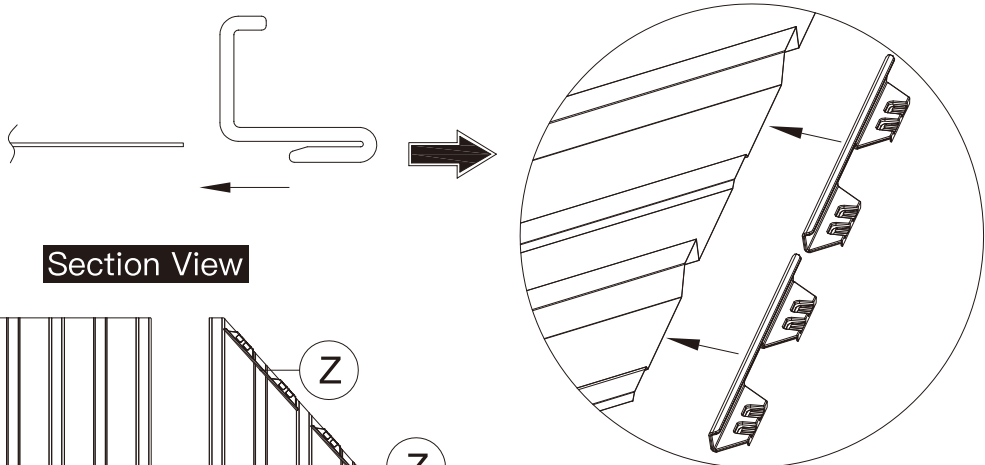
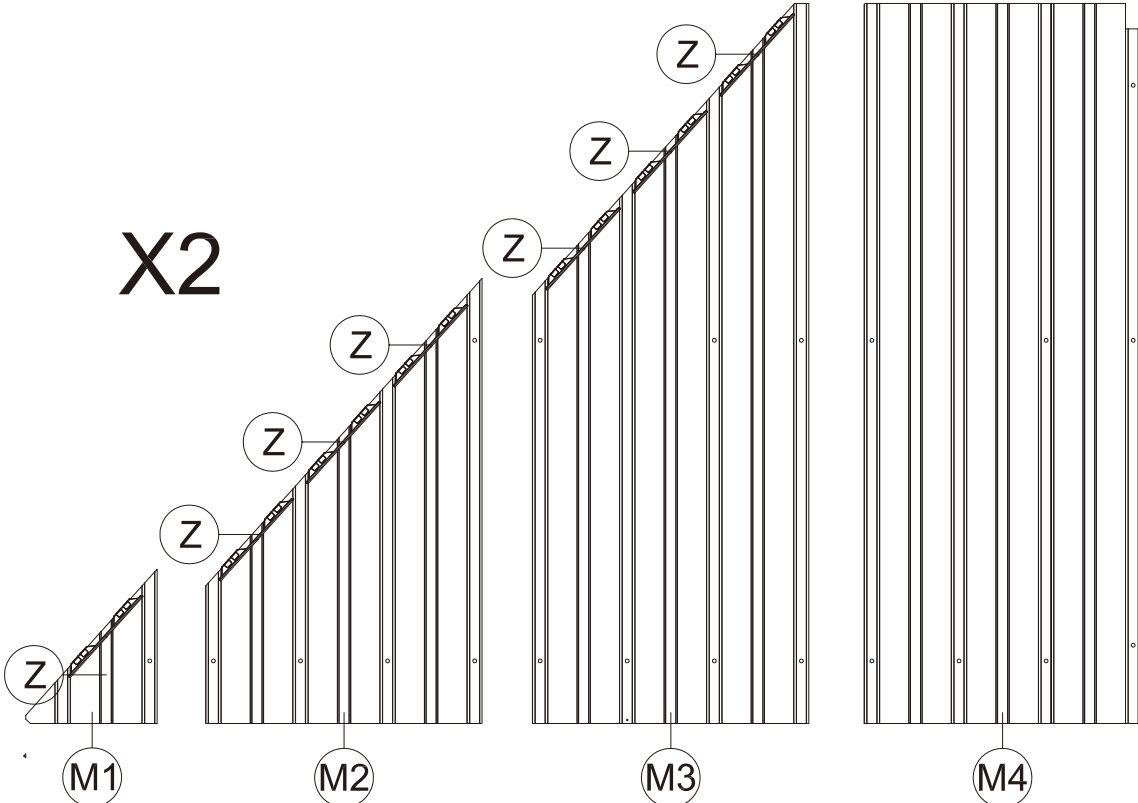


(2) Repeat the above procedures to assemble the other 3 corners.

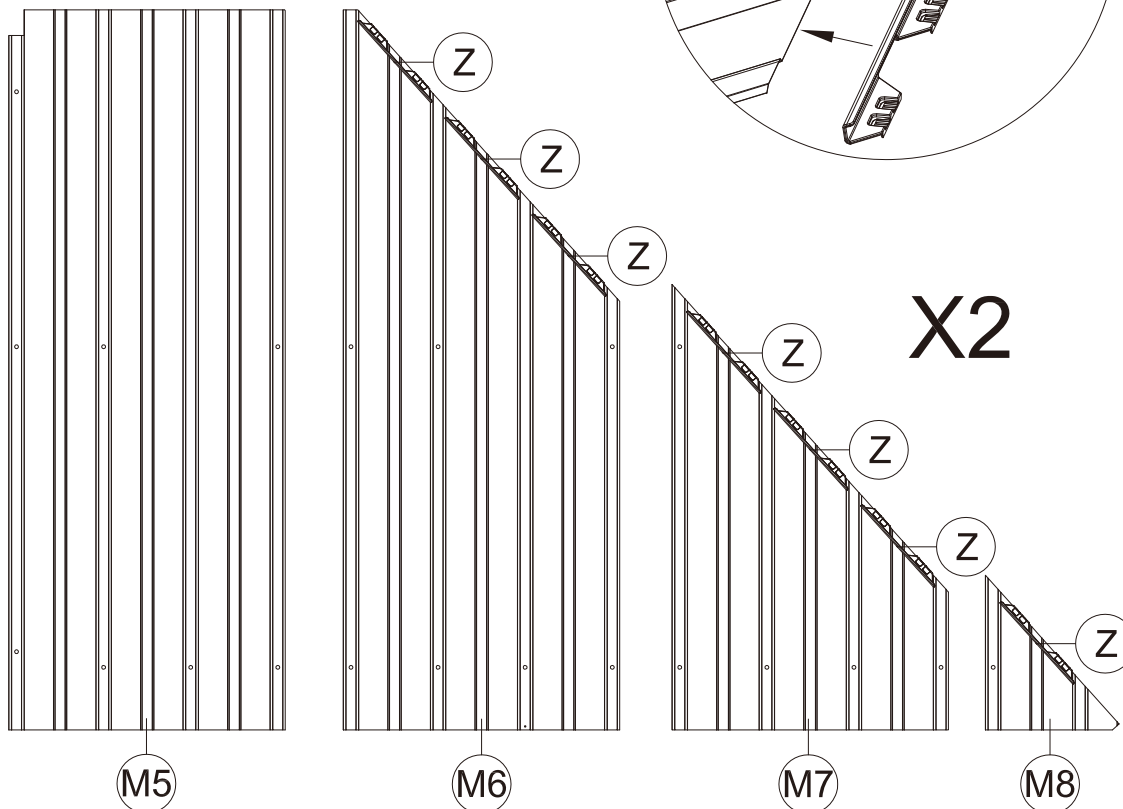
Cover Part #Z to Roof Panels

-  (M1) 2x
-  (M2) 2x
-  (M3) 2x
-  (M4) 2x
-  (M5) 2x
-  (M6) 2x
-  (M7) 2x
-  (M8) 2x
-  (Z) 28x

37



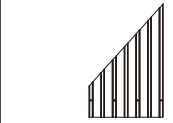
Section View



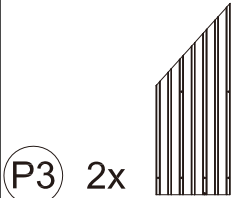
Cover Part #Z to Roof Panels



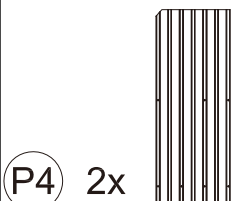
P1 2x



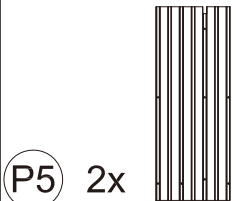
P2 2x



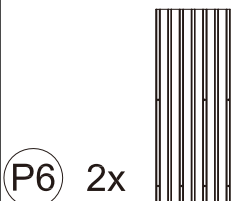
P3 2x



P4 2x



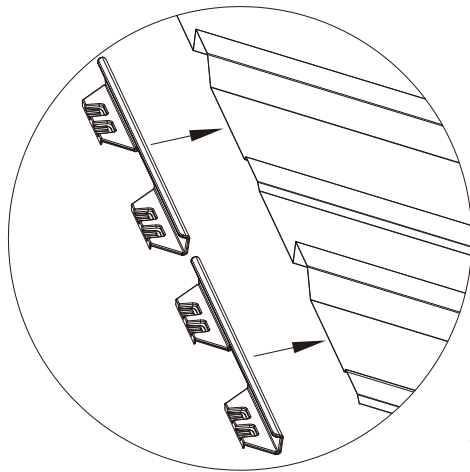
P5 2x



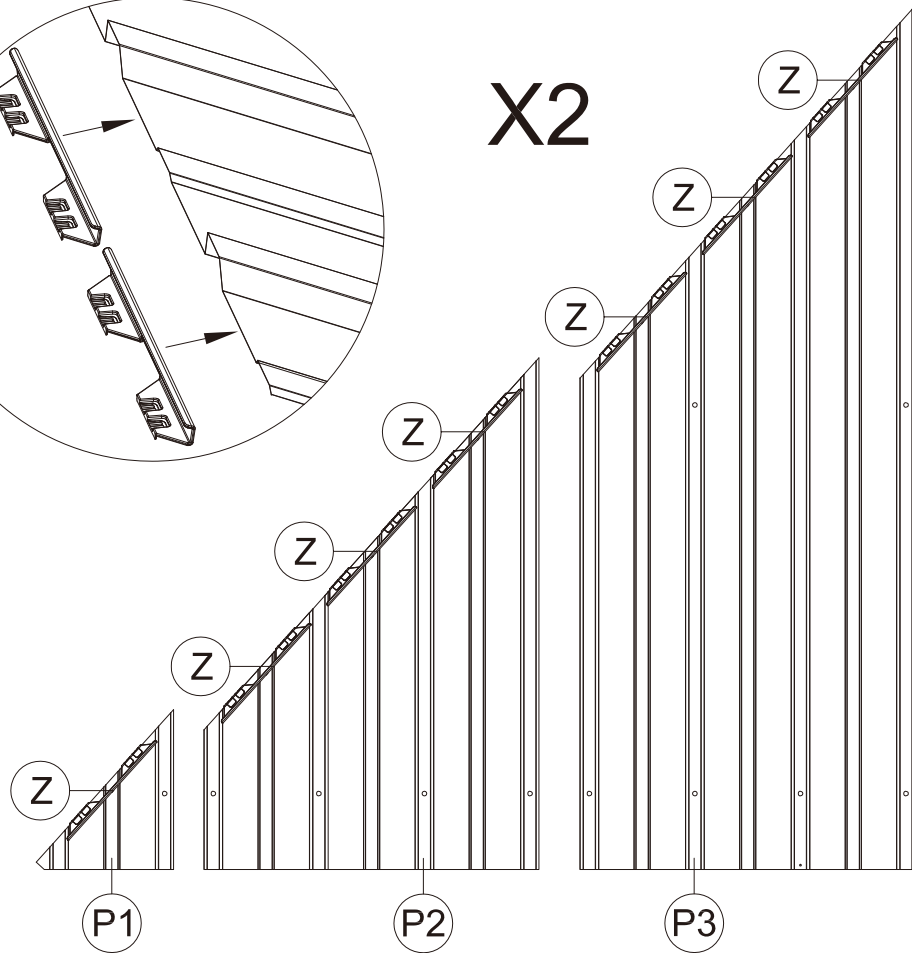
P6 2x



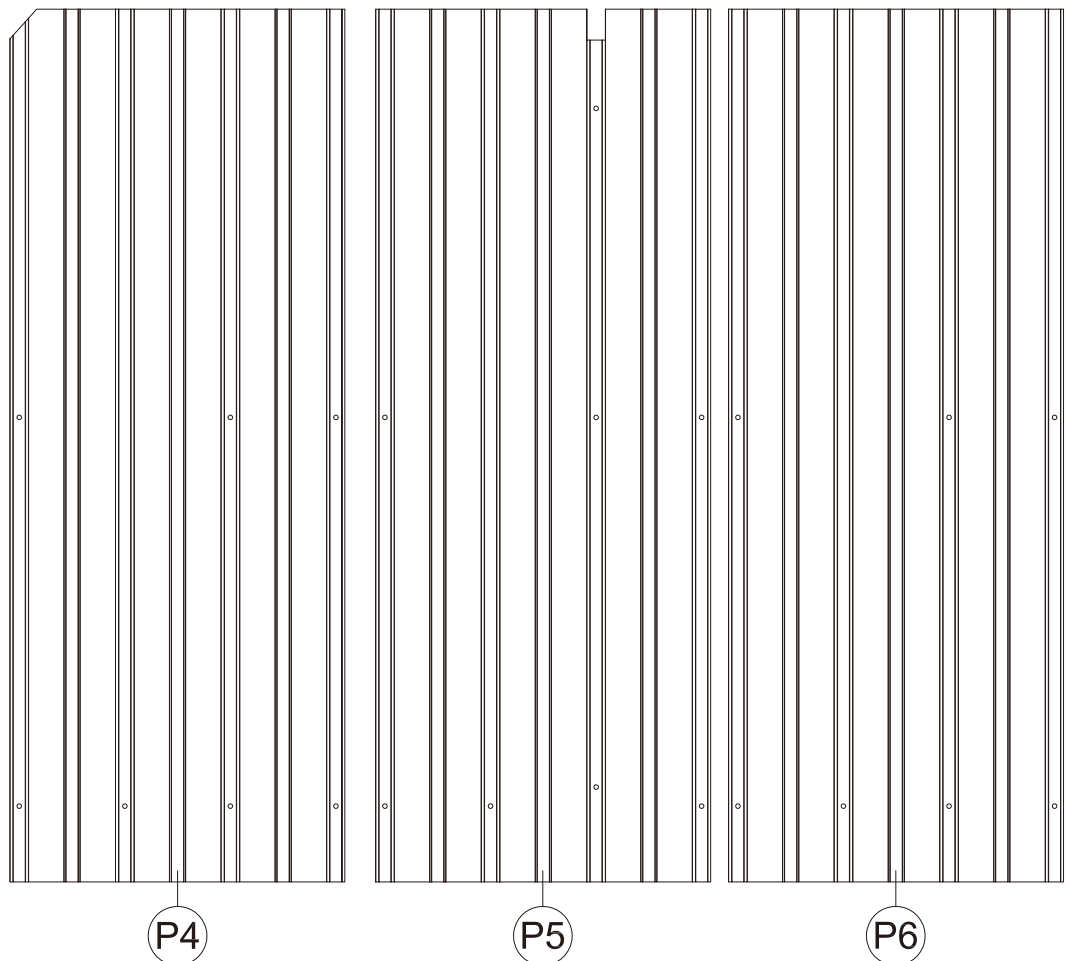
Z 14x



X2



X2



Cover Part #Z to Roof Panels

P7 2x



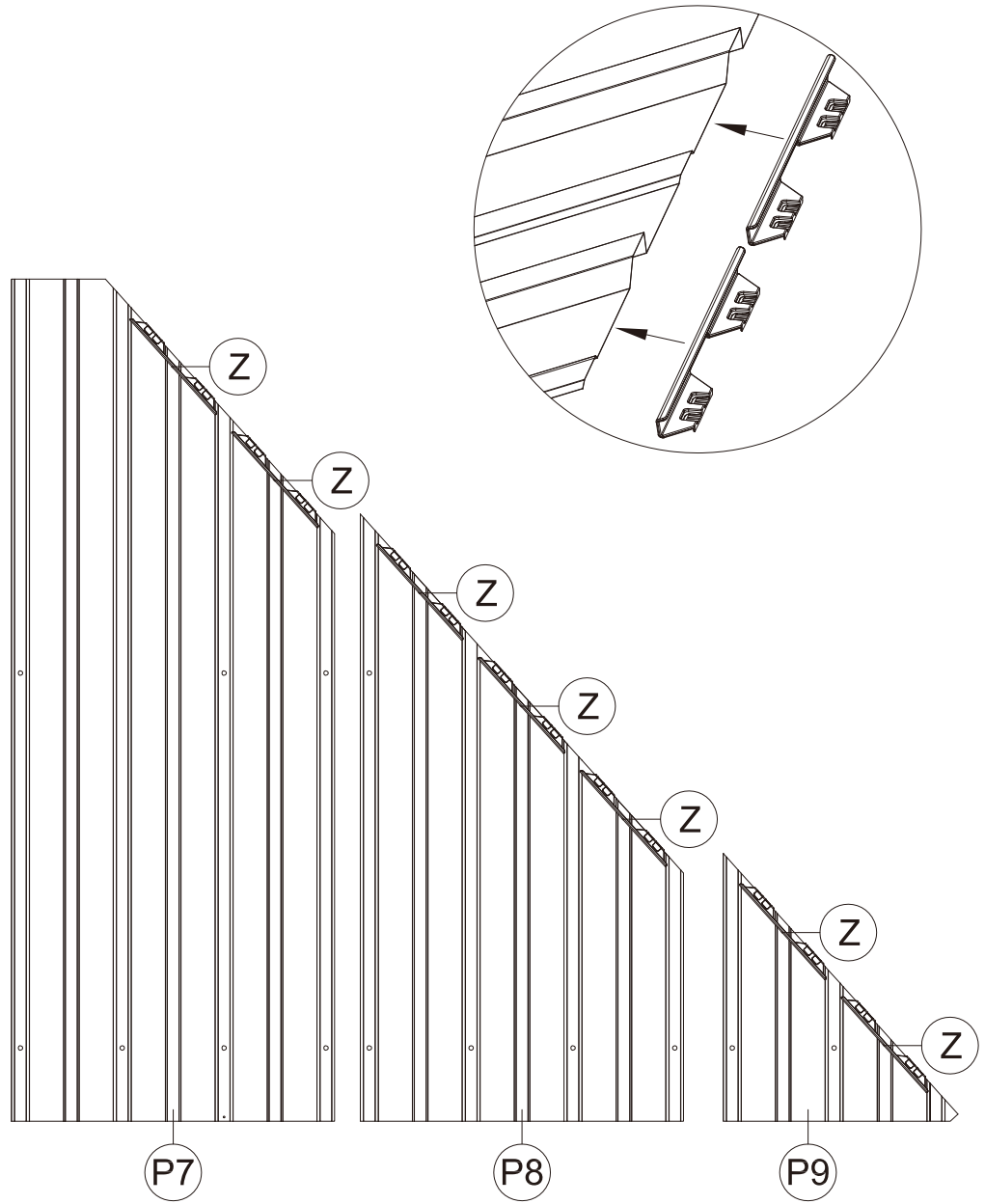
P8 2x



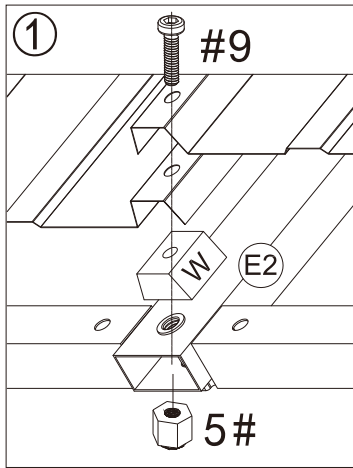
P9 2x



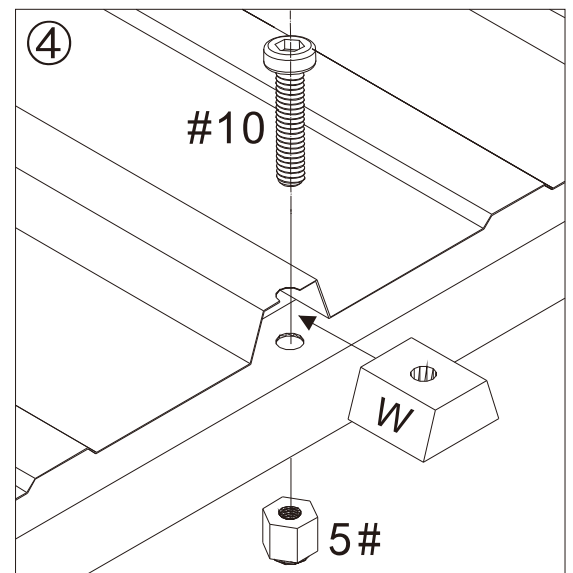
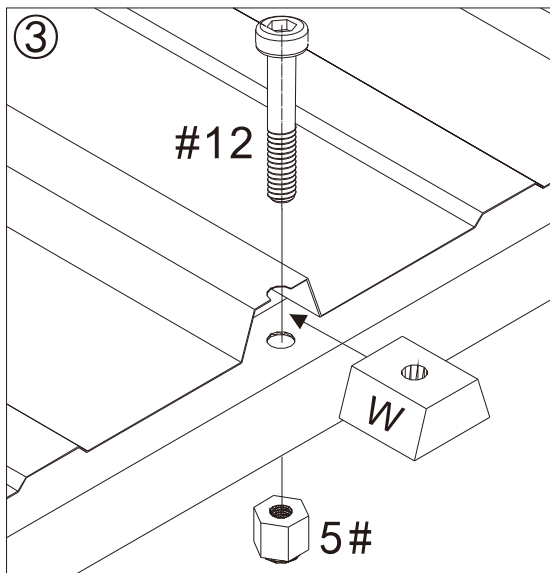
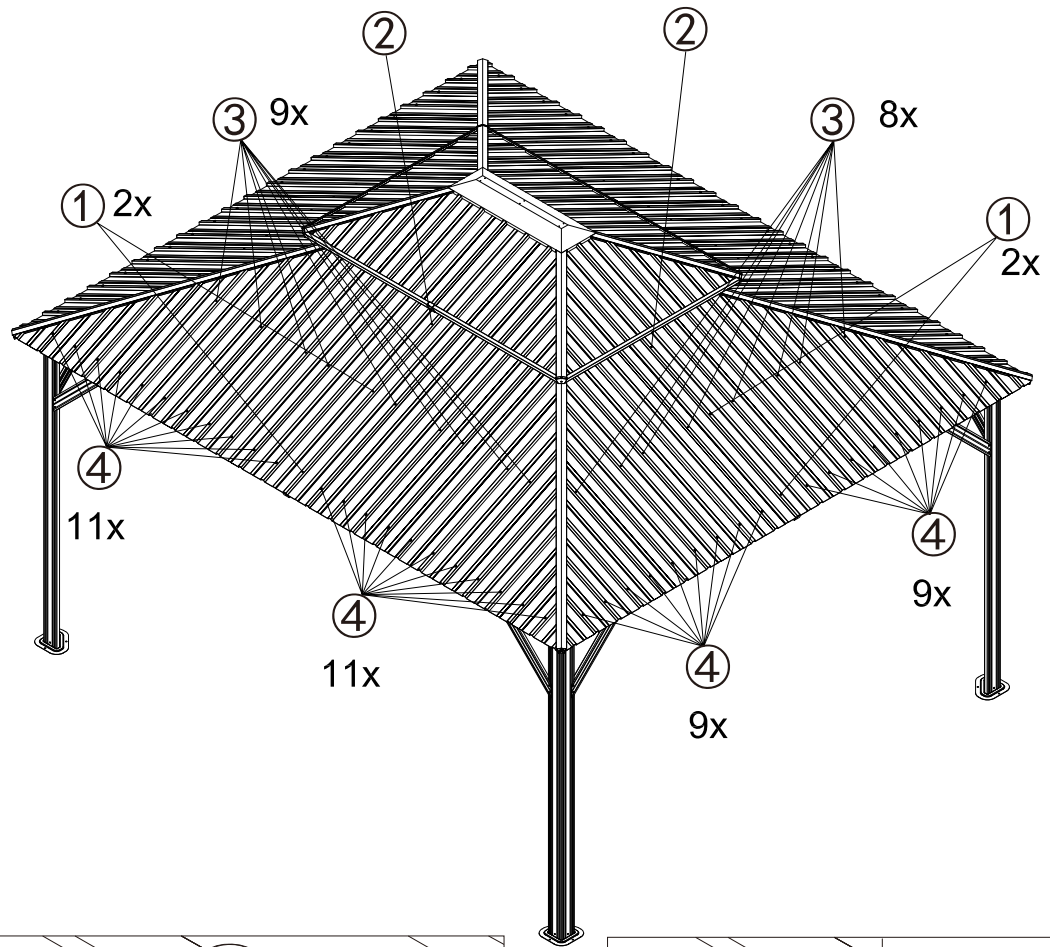
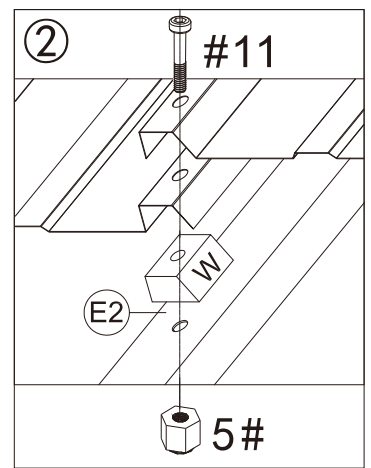
Z 14x

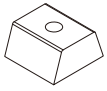


X2

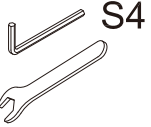


▲ Part #W should be inserted between roof panels and solidifying bar or beams, then secure with bolts and nuts.





(W) 14x



(1) 1x



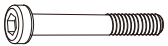
M6

(5) 14x



M6x28

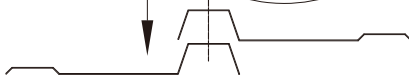
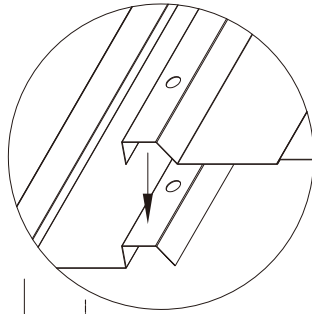
(10) 12x



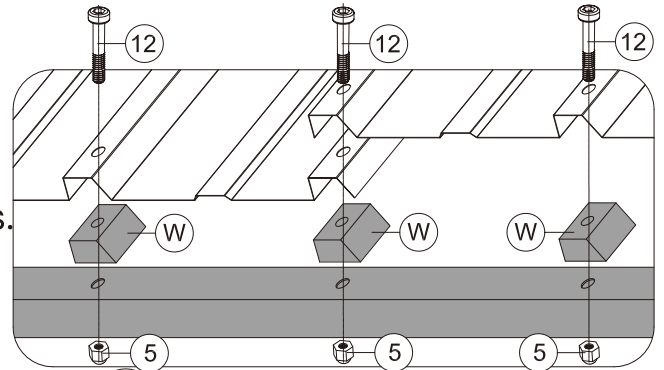
M6x50

(12) 2x

ATTENTION: The bigger roof panel need to cover the smaller one.

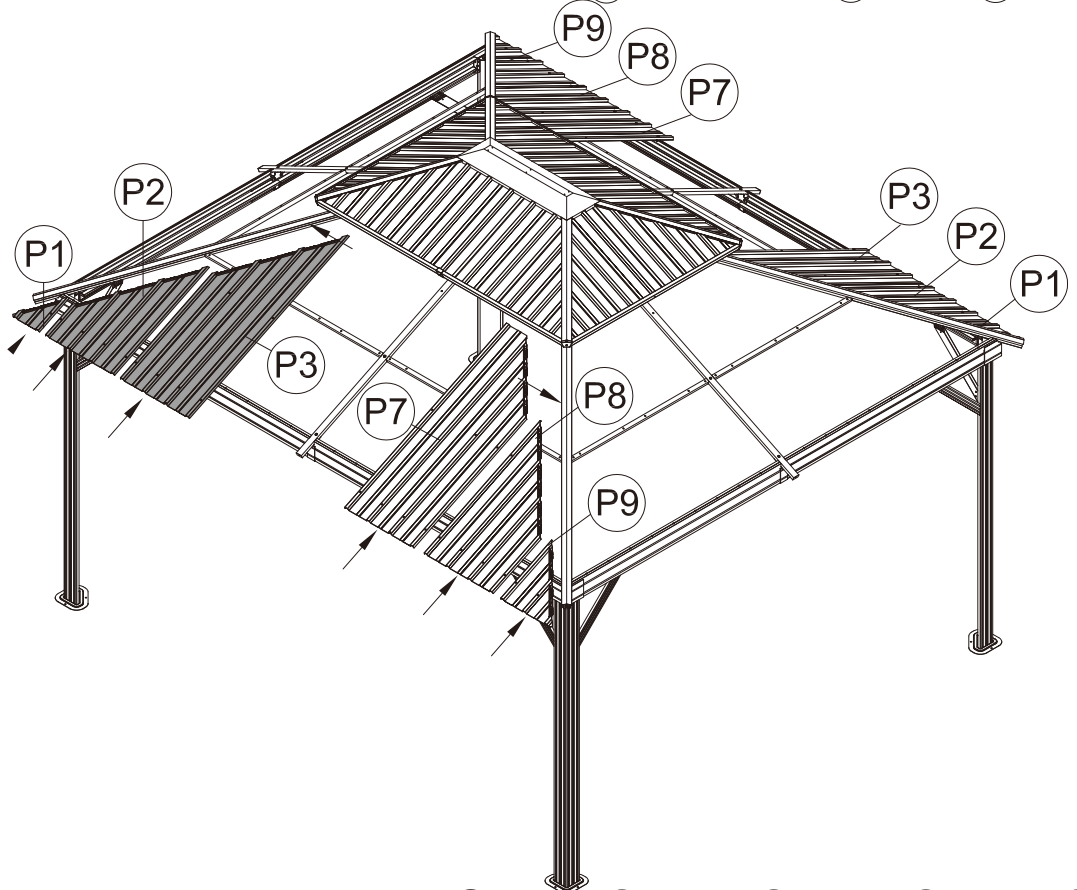


(1) Insert Part #P1, Part #P2 and Part #P3 into the frame.

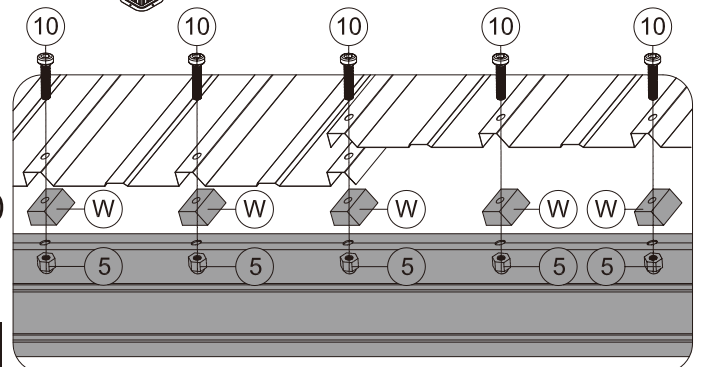


(3) Place 1 Part #W between roof panels and solidifying bars. Then secure with 1 Bolt #12 and 1 Nut #5.

Solidifying Bar

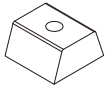


(2) Place 6 Part #W between roof panels and beams. Then secure with 6 Bolts #10 and 6 Nuts #5.



Beam

(4) Repeat the above procedures to assemble the opposite side.



W 18x



1 1x



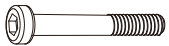
M6

5 18x



M6x28

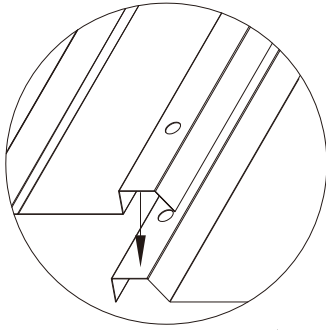
10 14x



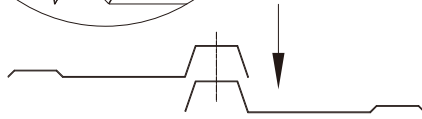
M6x50

12 4x

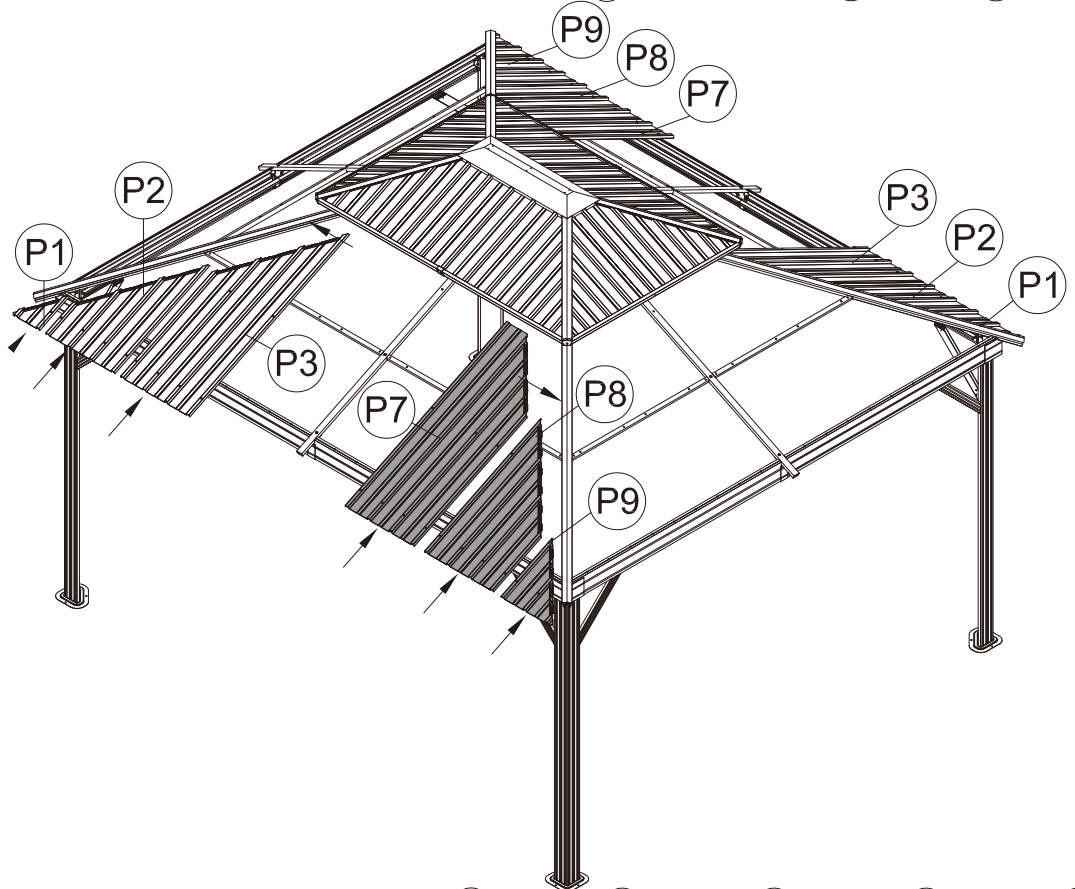
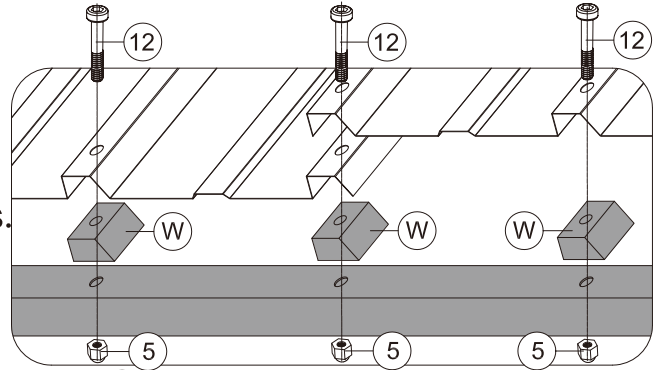
ATTENTION: The bigger roof panel need to cover the smaller one.



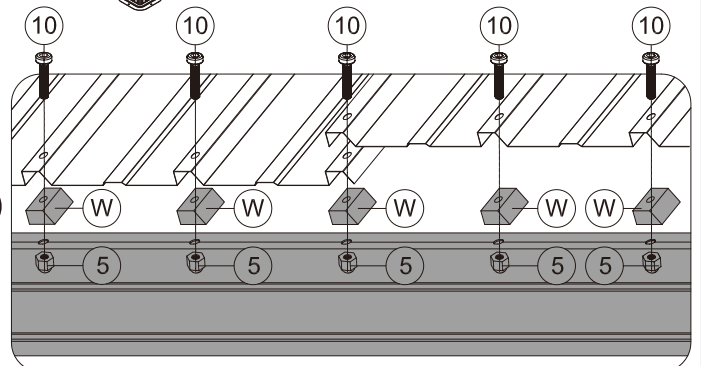
(1) Insert Part #P9, Part #P8 and Part #P7 into the frame.



(3) Place 2 Part #W between roof panels and solidifying bars. Then secure with 2 Bolt #12 and 2 Nut #5. **Solidifying Bar**

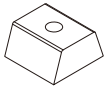


(2) Place 7 Part #W between roof panels and beams. Then secure with 7 Bolts #10 and 7 Nuts #5.



Beam

(4) Repeat the above procedures to assemble the opposite side.



W 30x



1 1x



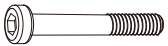
M6

5 30x



M6x28

10 18x



M6x50

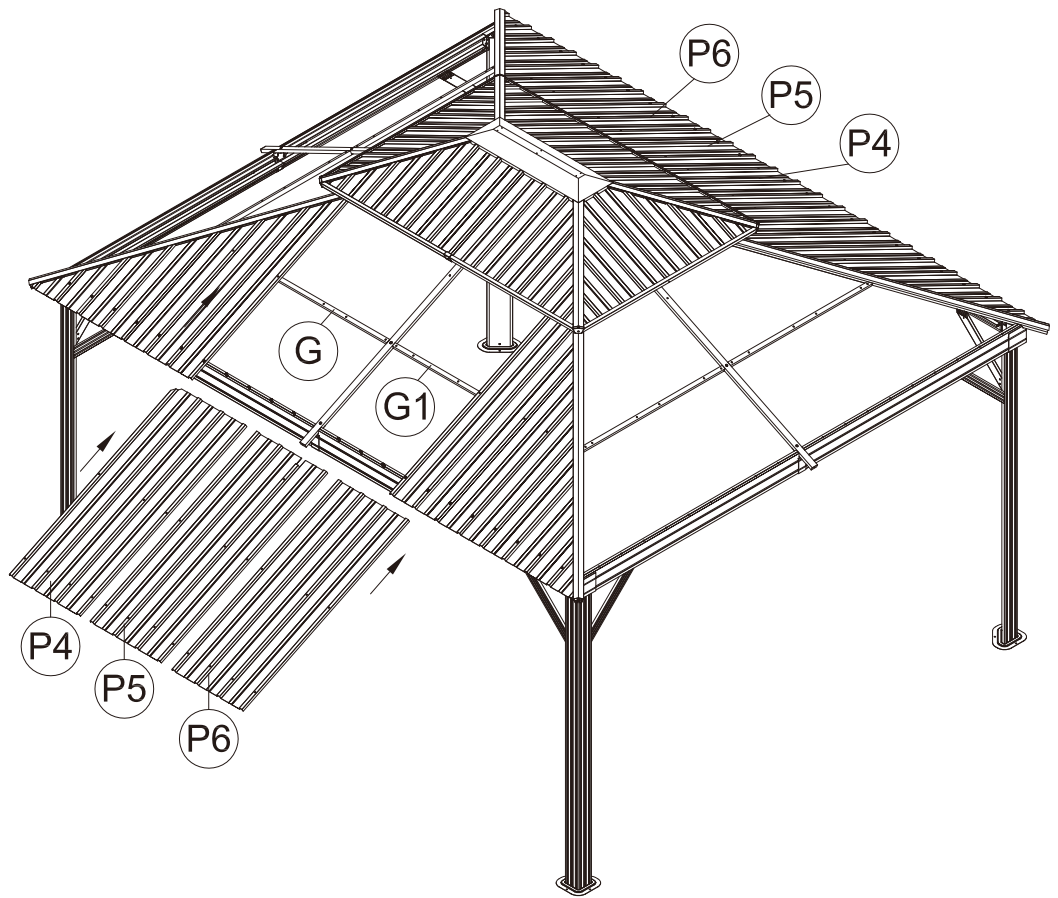
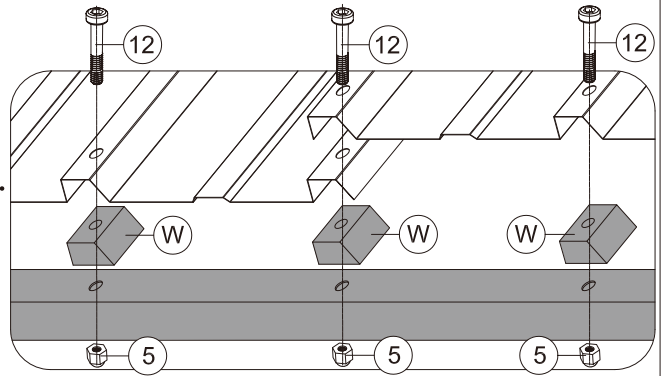
12 12x

ATTENTION: The bigger roof panel need to cover the smaller one.

(1) Insert Part #P4, Part #P5 and Part #P6 into the frame.

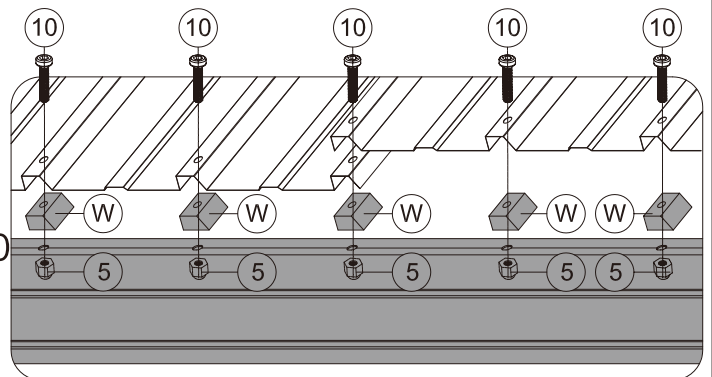
(3) Place 6 Part #W between roof panels and solidifying bars. Then secure with 6 Bolts #12 and 6 Nuts #5.

Solidifying Bar

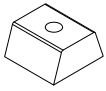


(2) Place 9 Part #W between roof panels and beams. Then secure with 9 Bolts #10 and 9 Nuts #5.

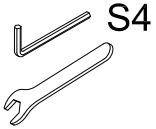
Beam



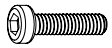
(4) Repeat the above procedures to assemble the opposite side.



W 4x

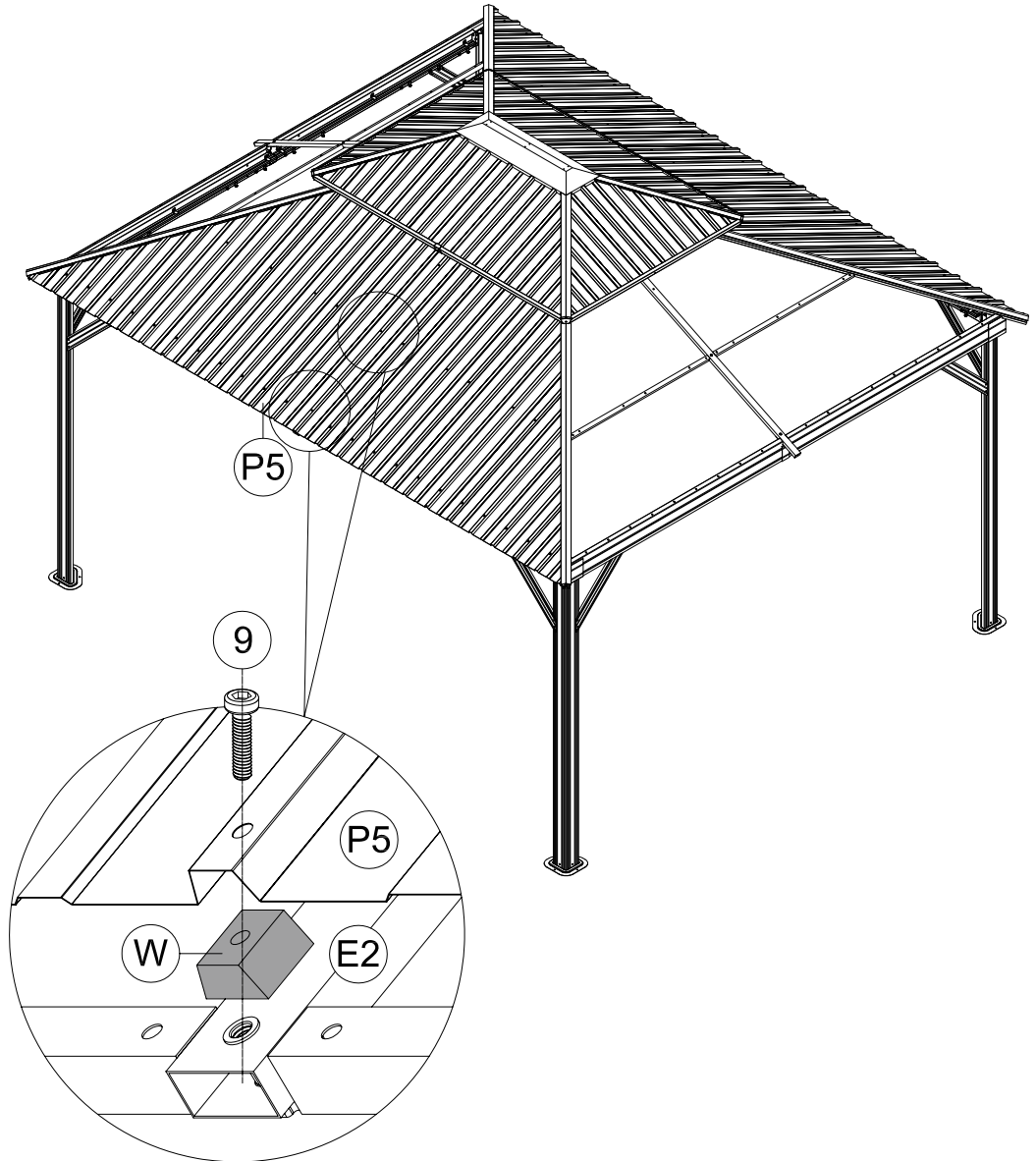


1 1x



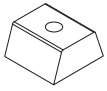
M6x25

9 4x

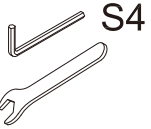


(1) Place 2 Part #W between Part #P5 and Part #E2.
Then secure with 2 Bolts #9.

(2) Repeat the above procedures to assemble the opposite side.



W 12x



1 1x



M6

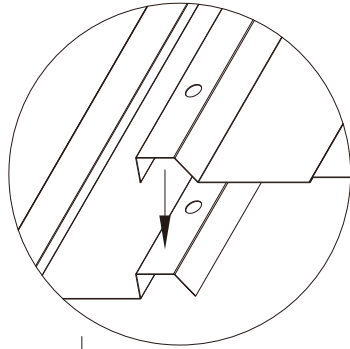
5 12x



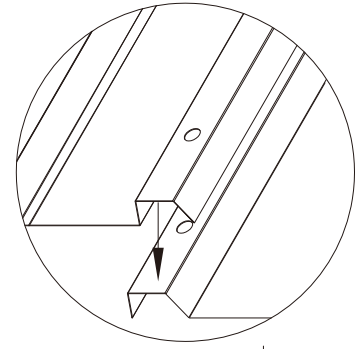
M6x28

10 12x

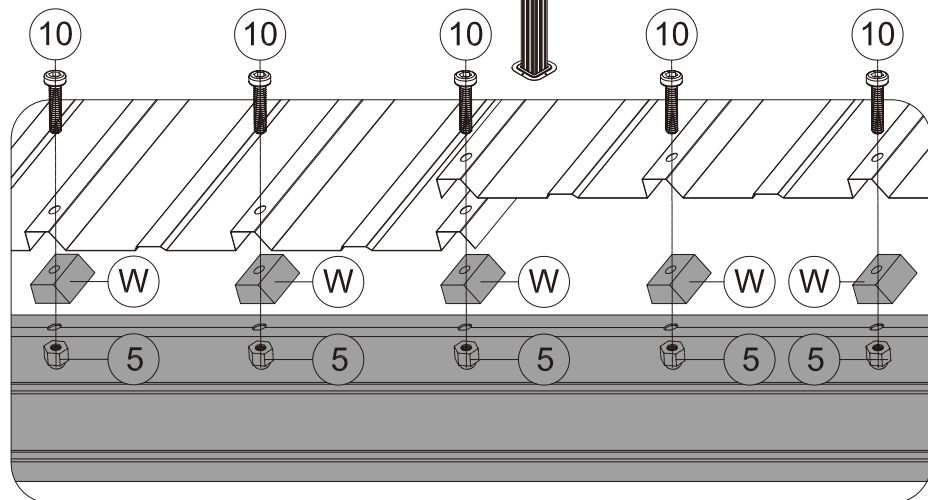
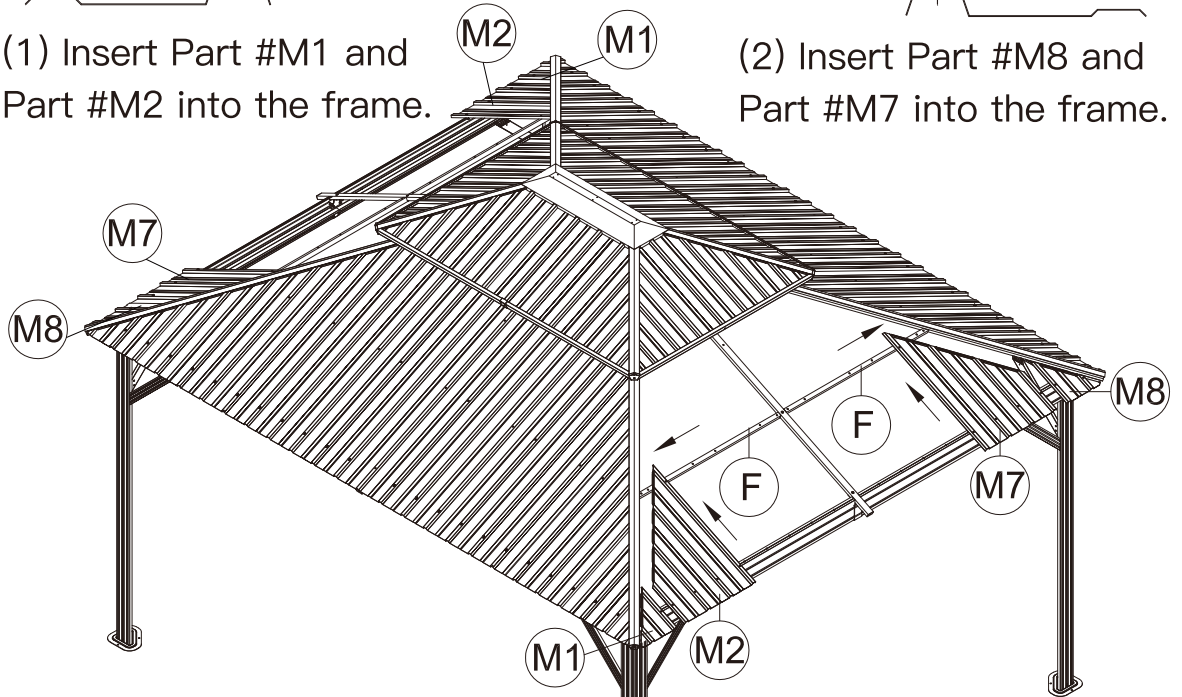
ATTENTION: The bigger roof panel need to cover the smaller one.



(1) Insert Part #M1 and Part #M2 into the frame.

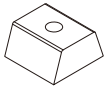


(2) Insert Part #M8 and Part #M7 into the frame.

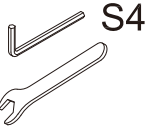


(3) Place 6 Part #W between roof panels and beams.
Then secure with 6 Bolts #10 and 6 Nuts #5.

(4) Repeat the above procedures to assemble the opposite side.



(W) 20x



(1) 1x



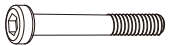
M6

(5) 20x



M6x28

(10) 12x

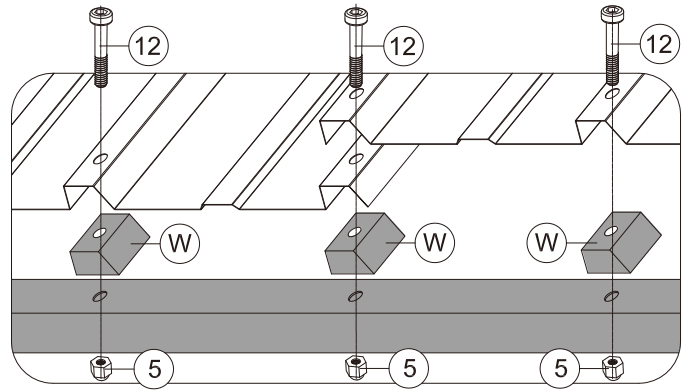


M6x50

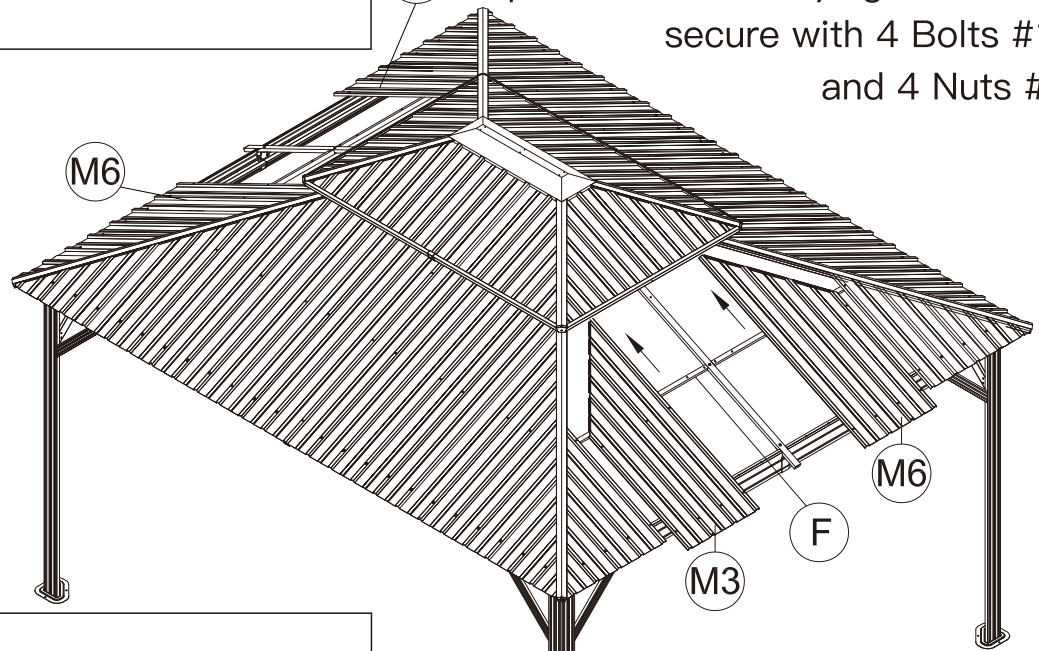
(12) 8x

ATTENTION: The bigger roof panel need to cover the smaller one.

(1) Insert Part #M3 into the frame.



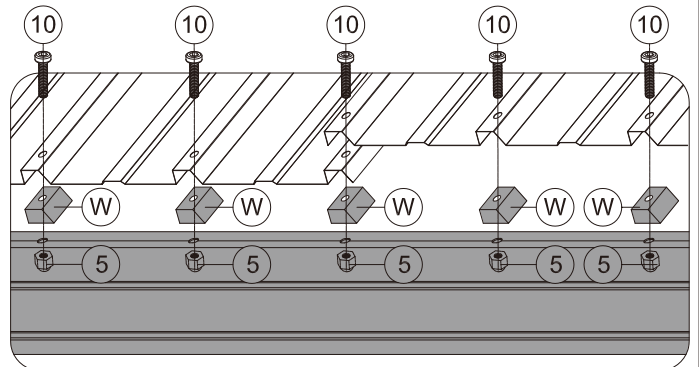
(3) Place 4 Part #W between roof panels and solidifying bars. Then secure with 4 Bolts #12 and 4 Nuts #5.



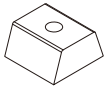
(2) Insert Part #M6 into the frame.



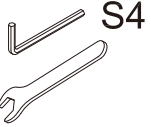
(4) Place 6 Part #W between roof panels and beams. Then secure with 6 Bolts #10 and 6 Nuts #5.



(5) Repeat the above procedures to assemble the opposite side.



W 24x



1 1x



M6

5 20x



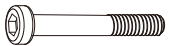
M6x25

9 4x



M6x28

10 12x

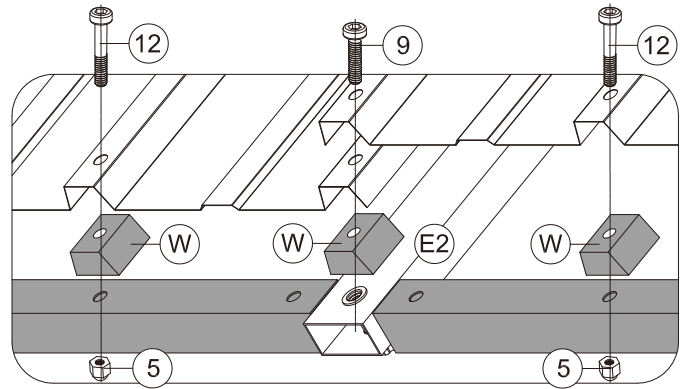


M6x50

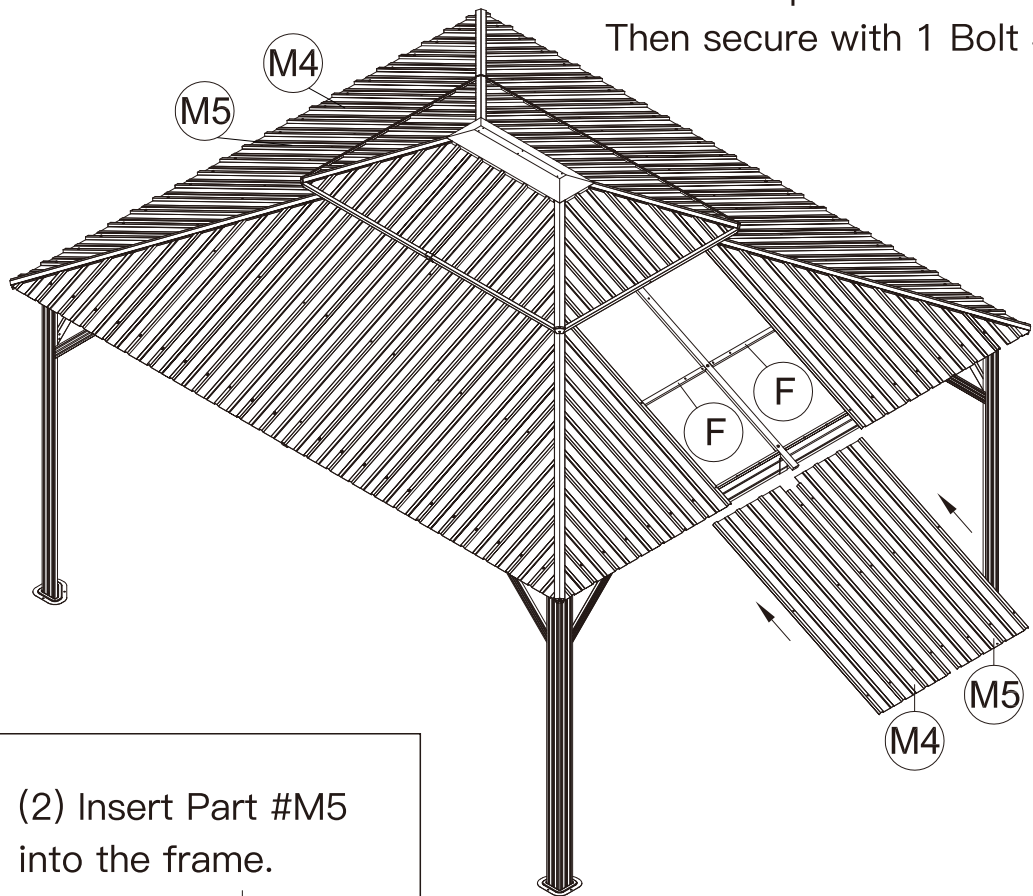
12 8x

ATTENTION: The bigger roof panel need to cover the smaller one.

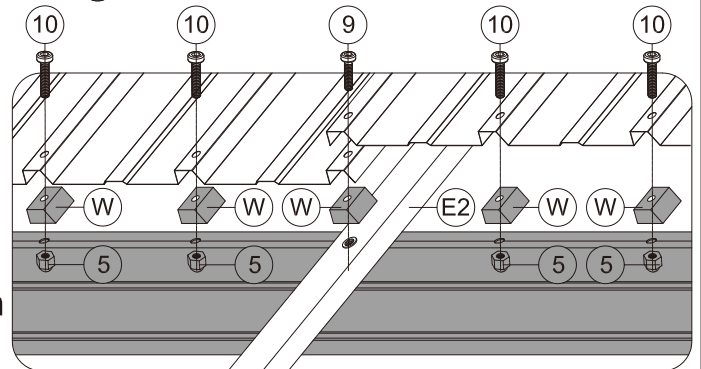
(1) Insert Part #M4 into the frame.



(3) Place 4 Part #W between roof panels and solidifying bars. Then secure with 4 Bolts #12 and 4 Nuts #5; Place 1 Part #W between roof panels and Part #E2. Then secure with 1 Bolt #9.

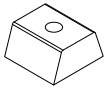


(2) Insert Part #M5 into the frame.

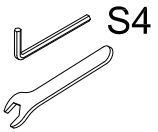


(4) Place 6 Part #W between roof panels and beams. Then secure with 6 Bolts #10 and 6 Nuts #5; Place 1 Part #W between roof panels and Part #E2. Then secure with 1 Bolt #9.

(5) Repeat the above procedures to assemble the opposite side.



W 4x

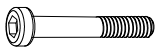


1 1x



M6

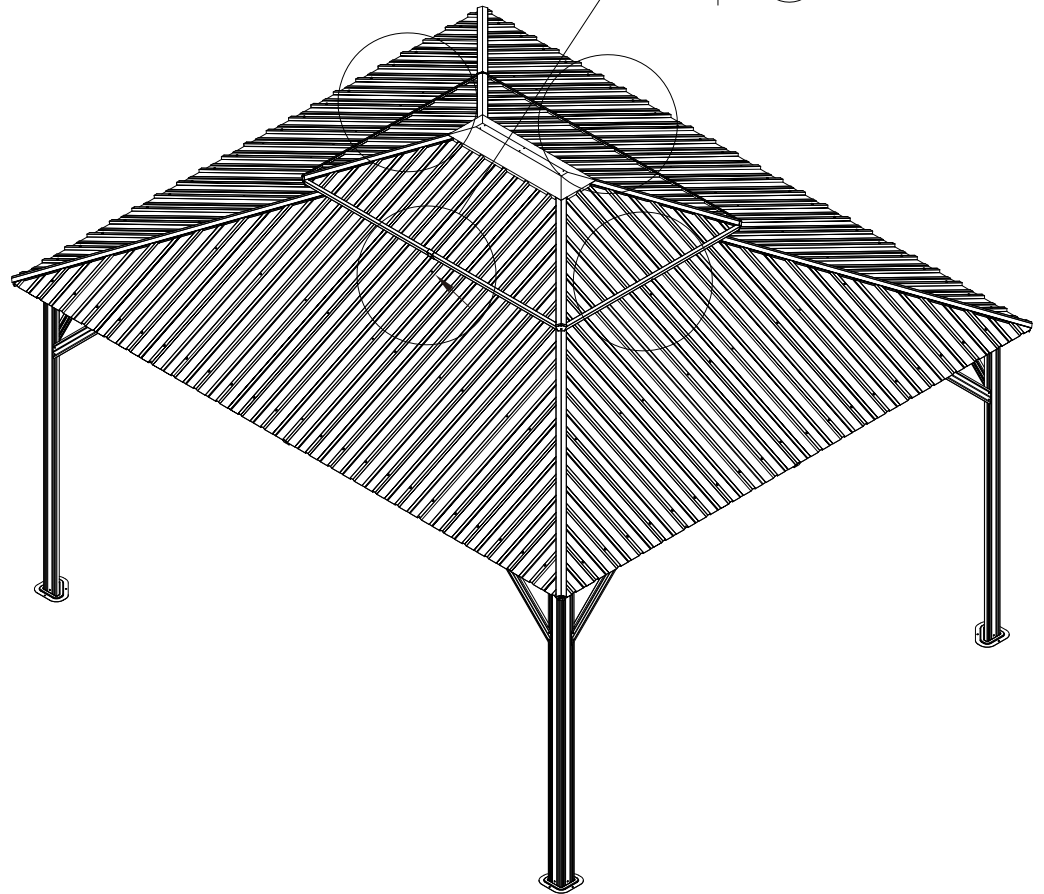
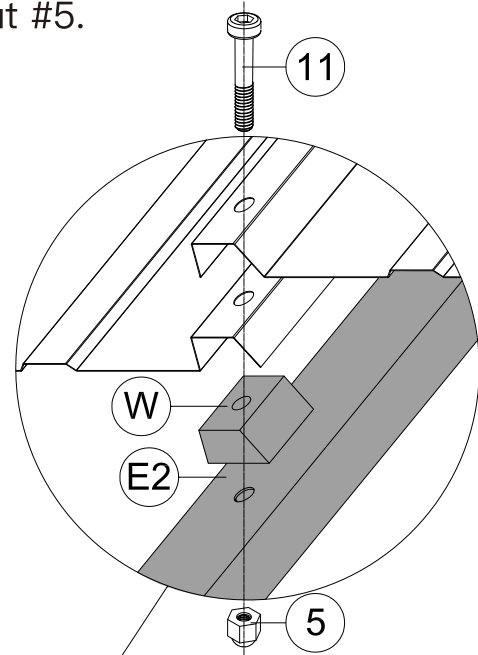
5 4x



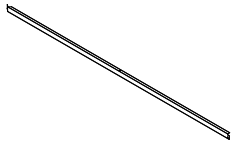
M6x45

11 4x

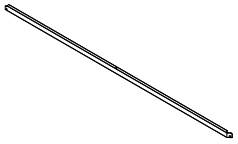
(1) Place Part #W between roof panels and Part #E2.
Then secure with Bolt #11 and Nut #5.



(2) Repeat the above procedures to assemble the other 3 sides.



K2 2x



K3 2x

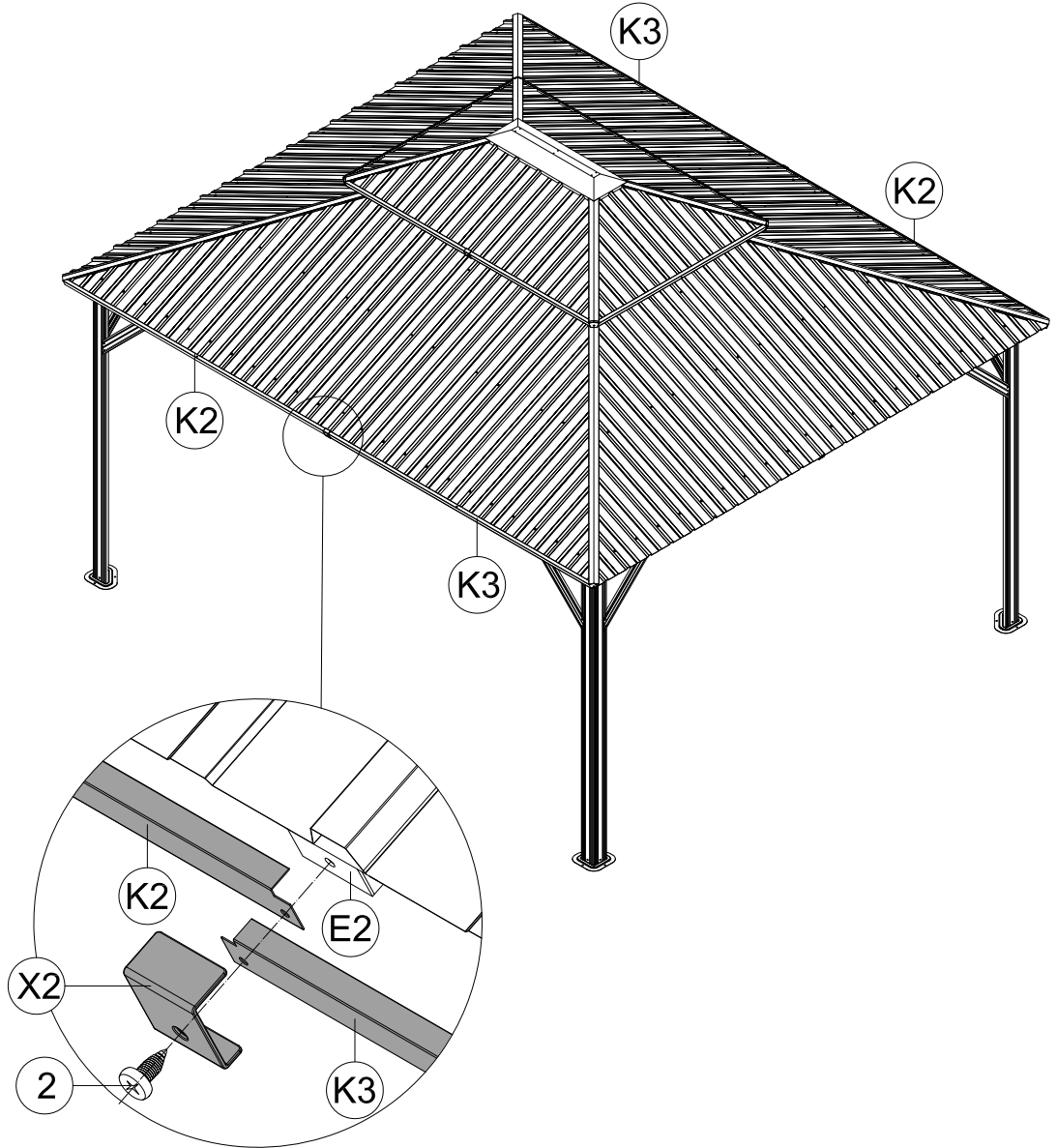


X2 2x



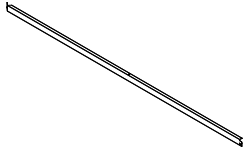
ST6.3x15

2 2x

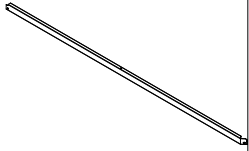


(1) Place Part #K2 and Part #K3 on Part #E2;
Put on Part #X2 and secure with Self-tapping Screw #2.

(2) Repeat the above procedures to assemble the opposite side.



(K) 2x



(K1) 2x



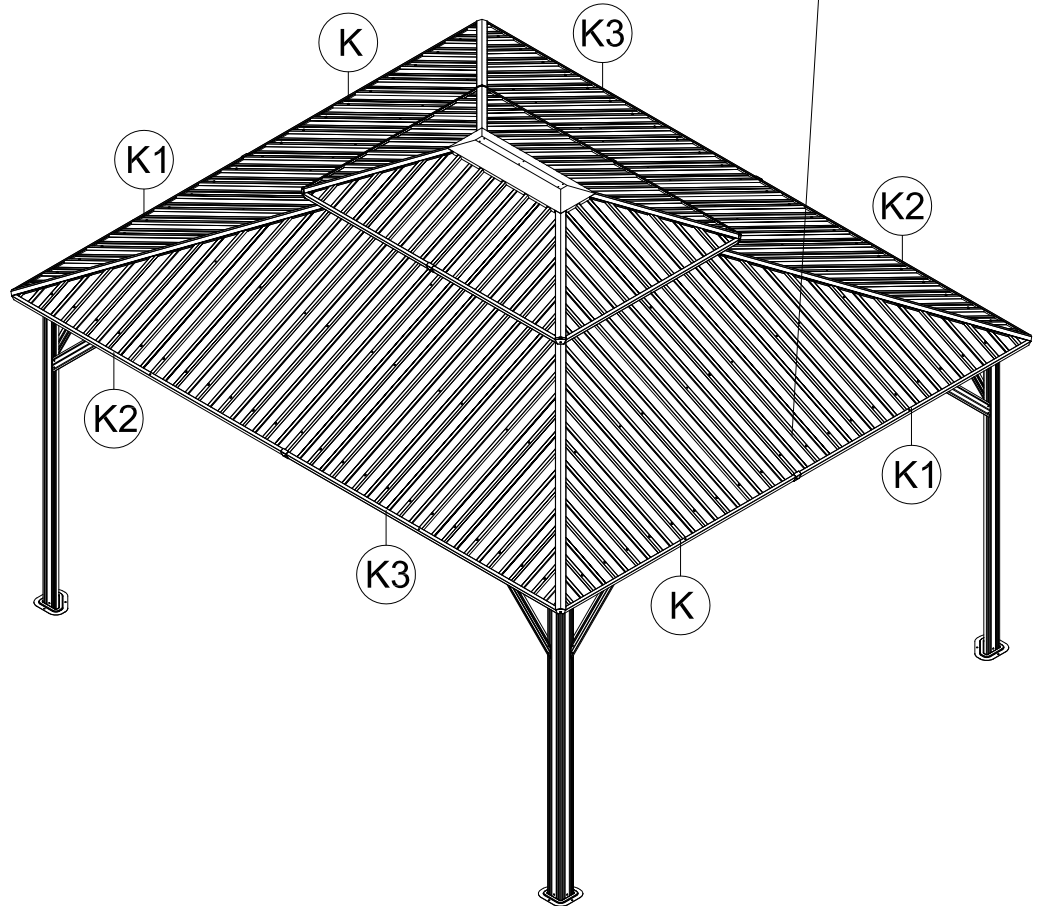
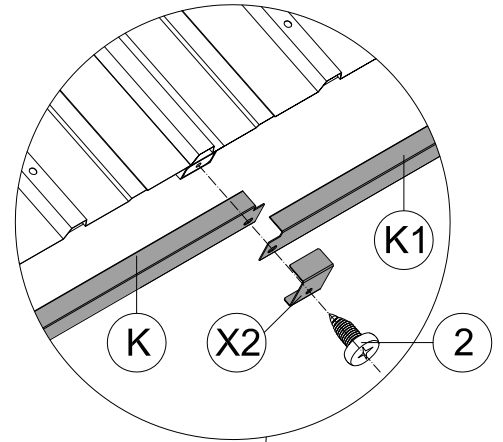
(X2) 2x



ST6.3x15

(2) 2x

(1) Place Part #K and Part #K1 on Part #E2;
Put on Part #X2 and secure with Self-tapping Screw #2.



(2) Repeat the above procedures to assemble the opposite side.

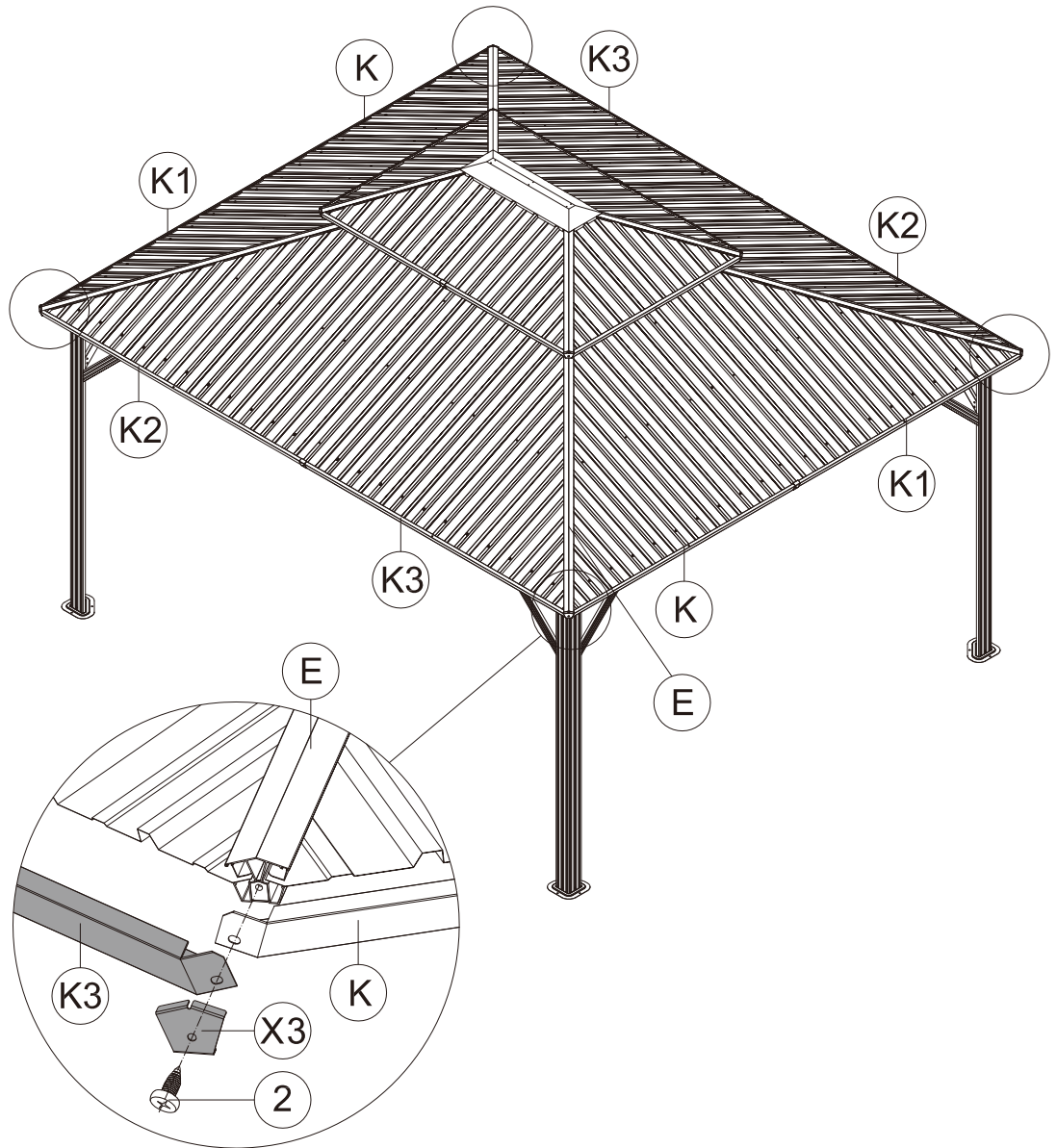


X3 4x



ST6.3x15

2 4x



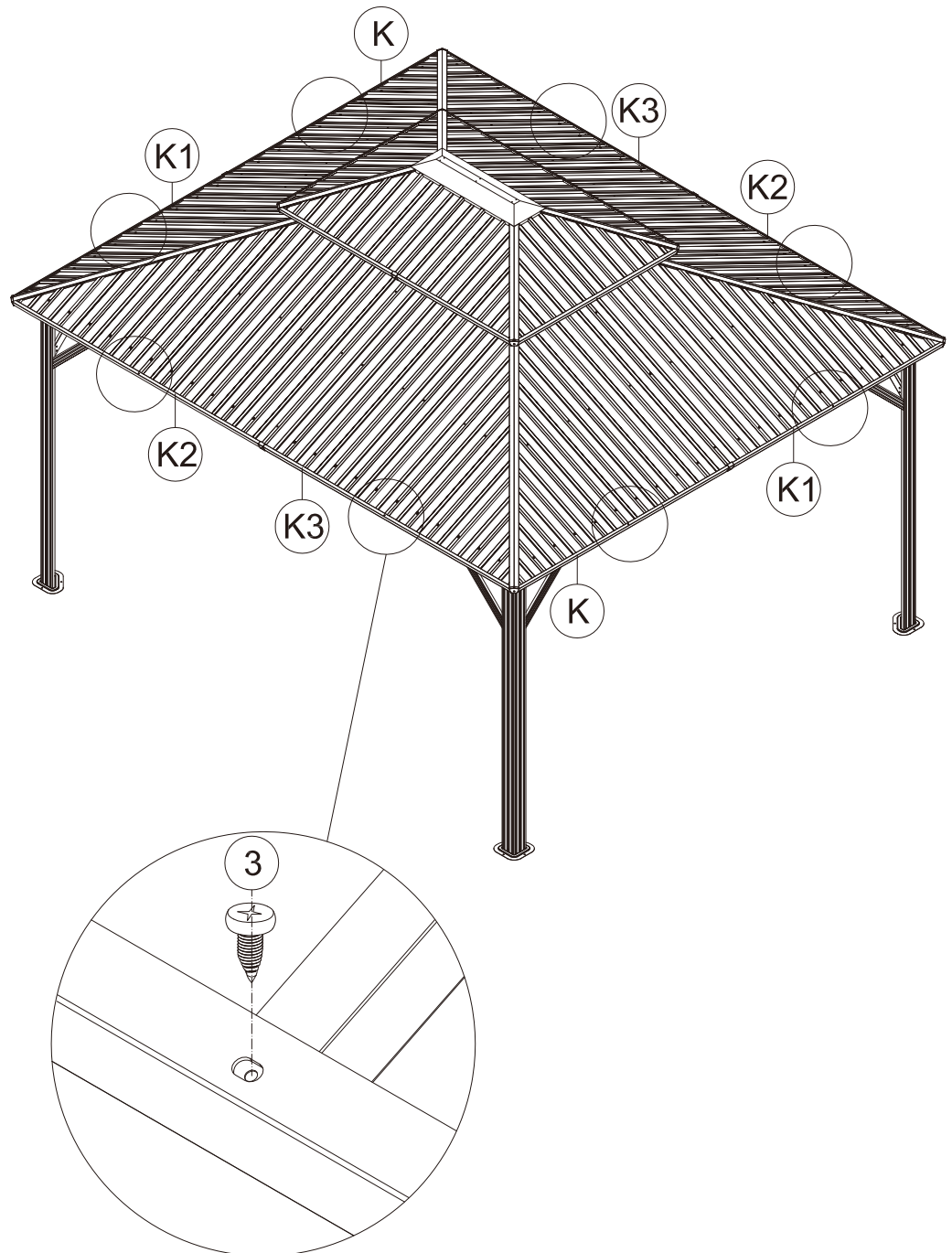
(1) Place Part #K3 and Part #K on Part #E;
Put on Part #X3 and secure with Self-tapping Screw #2.

(2) Repeat the above procedures to assemble the other 3 corners.



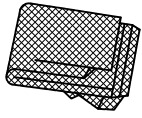
ST5x16

3 8x



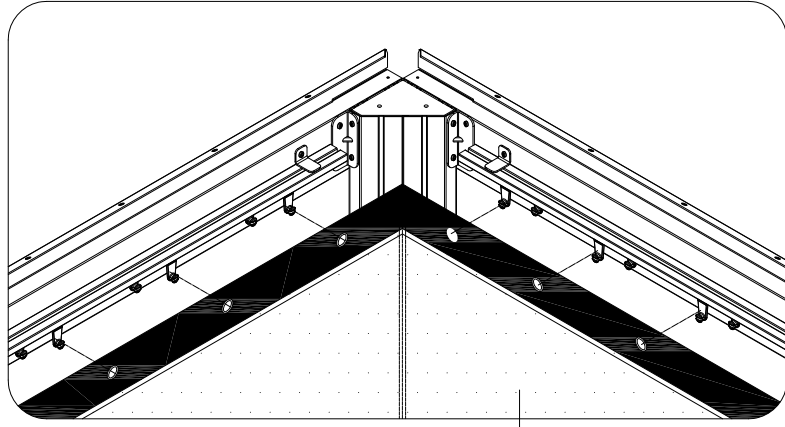
(1) Attach roof panels to finishing bars with 2 Self-tapping Screws #3.

(2) Repeat the above procedures to assemble the other 3 sides.

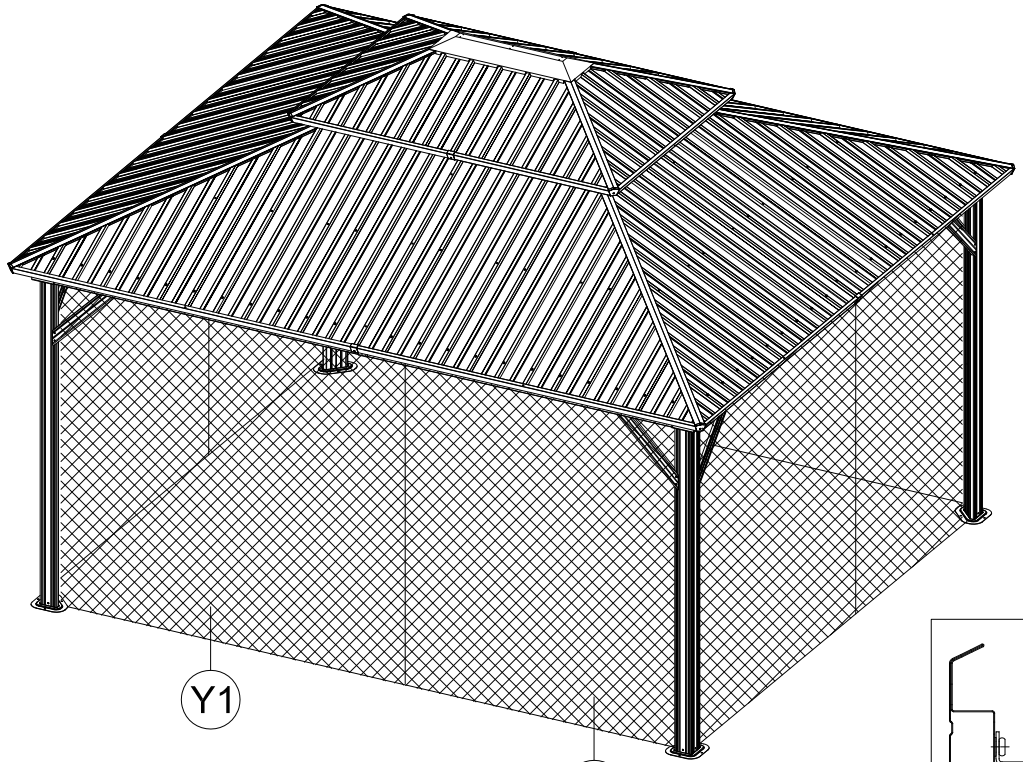


Y1 4x

Hang up Mosquito Sidewalls to Inside Track



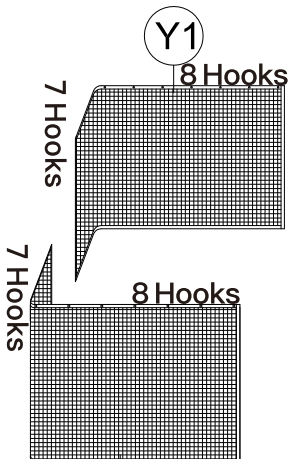
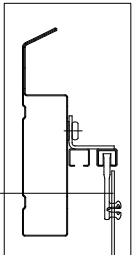
Y1



Y1

Y1

Y1



Y1

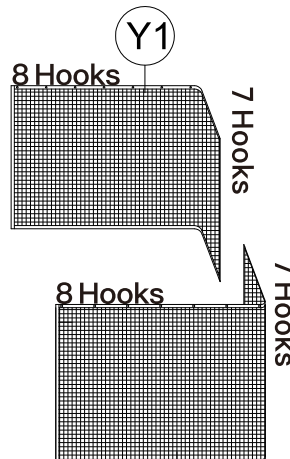
7 Hooks

8 Hooks

7 Hooks

8 Hooks

Y1



Y1

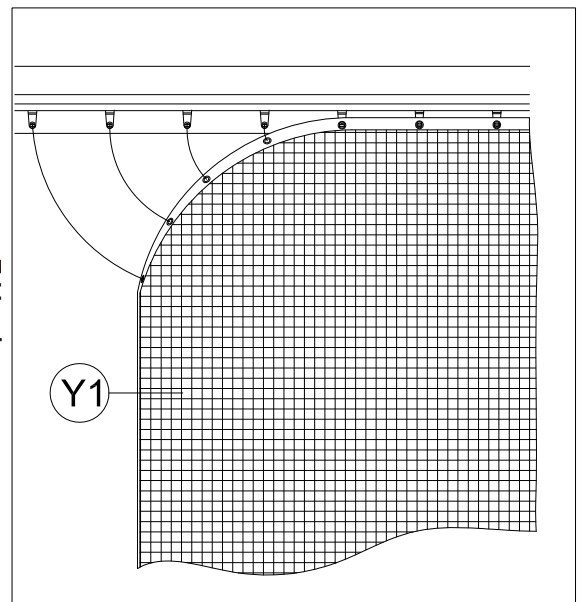
8 Hooks

7 Hooks

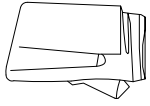
8 Hooks

7 Hooks

Y1

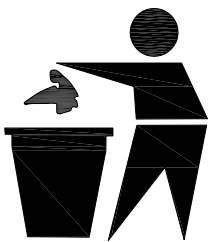
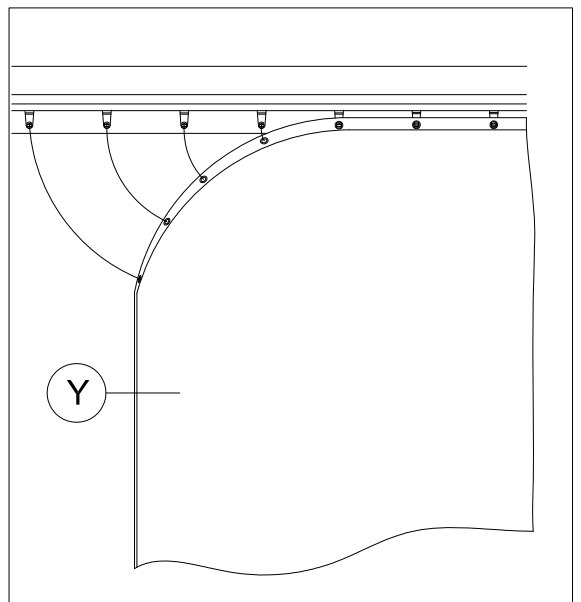
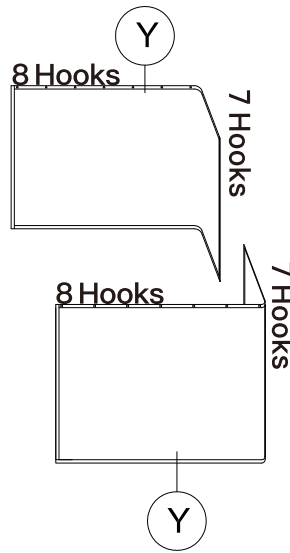
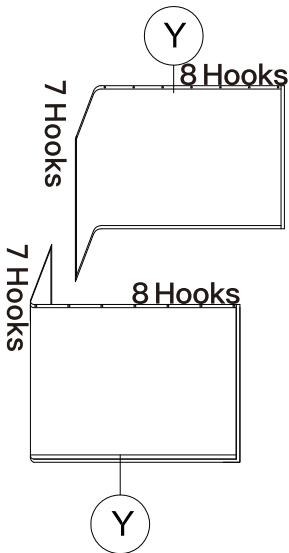
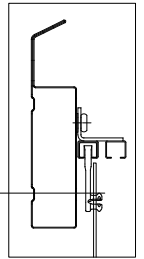
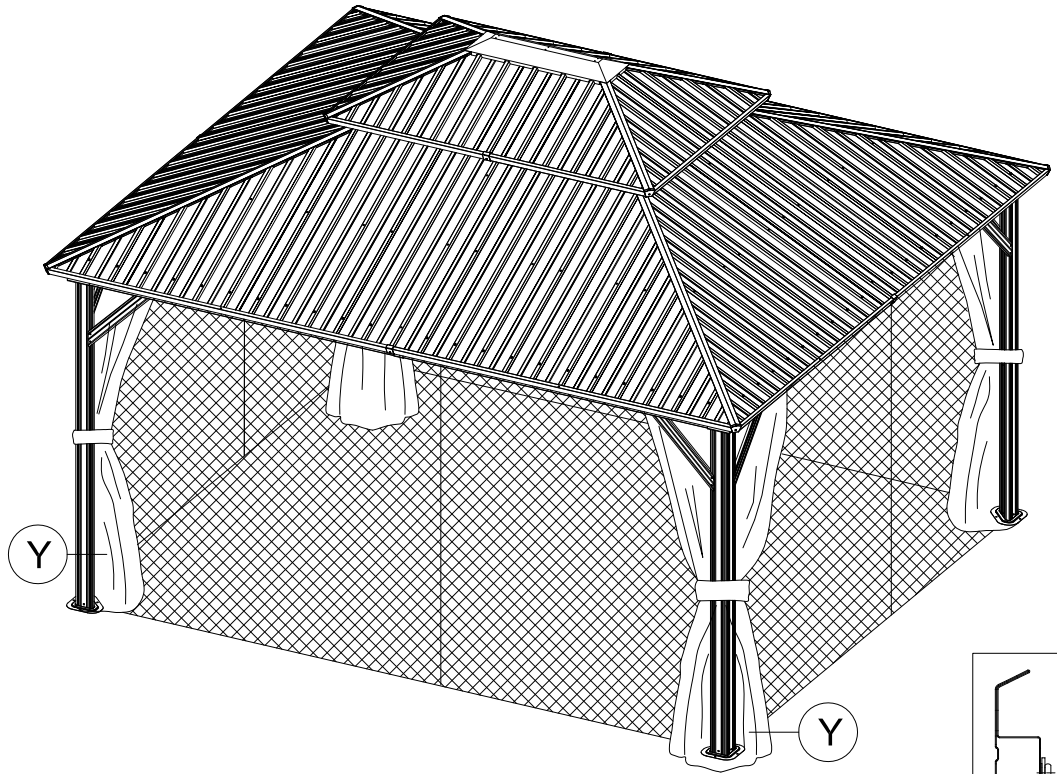
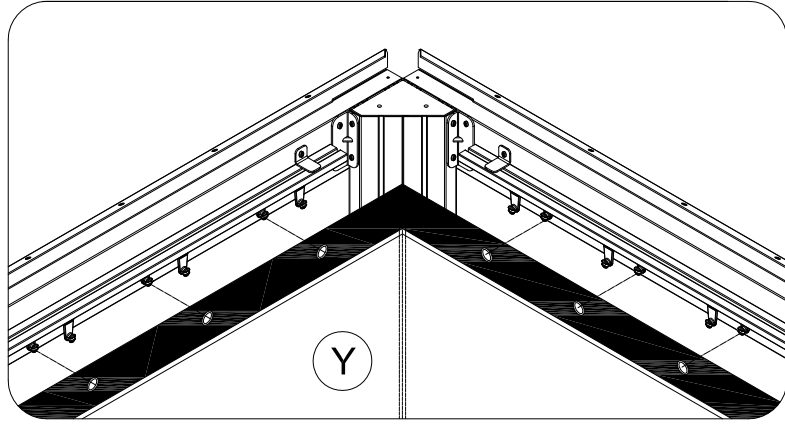


Y1



Y 4x

Hang up Solid Sidewalls to Outside Track





Thanks for your purchase.

At domi outdoor living, we believe in our products.

That's why we provide a 12-month warranty and friendly, easy-to-reach after-sales service. So, if you have any questions about our product or assembly, please feel free to contact us. We are here for you.

Support:  

After-sales contact email:

service@domioutdoorliving.com

Business cooperation contact email:

marketing@domioutdoorliving.com

Please have your order ID available if you reach out for support.

If you have damaged parts or product, please send us photos for an immediate response.