

**QUEEN PLATFORM BED  
CAL.KING PLATFORM BED  
EAST.KING PLATFORM BED  
FULL PLATFORM BED**

**Assembly Instruction**

**A . Components :**

- |                 |      |
|-----------------|------|
| 1. Headboard    | 1 x  |
| 2. Footboard    | 1 x  |
| 3. Bed Rail     | 2 x  |
| 4. Roll Slat    | 12 x |
| 5. Center Slat  | 1 x  |
| 6. Slat Support | 4 x  |



a



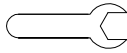
b



c



d



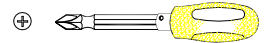
e

**B . Hardware :**

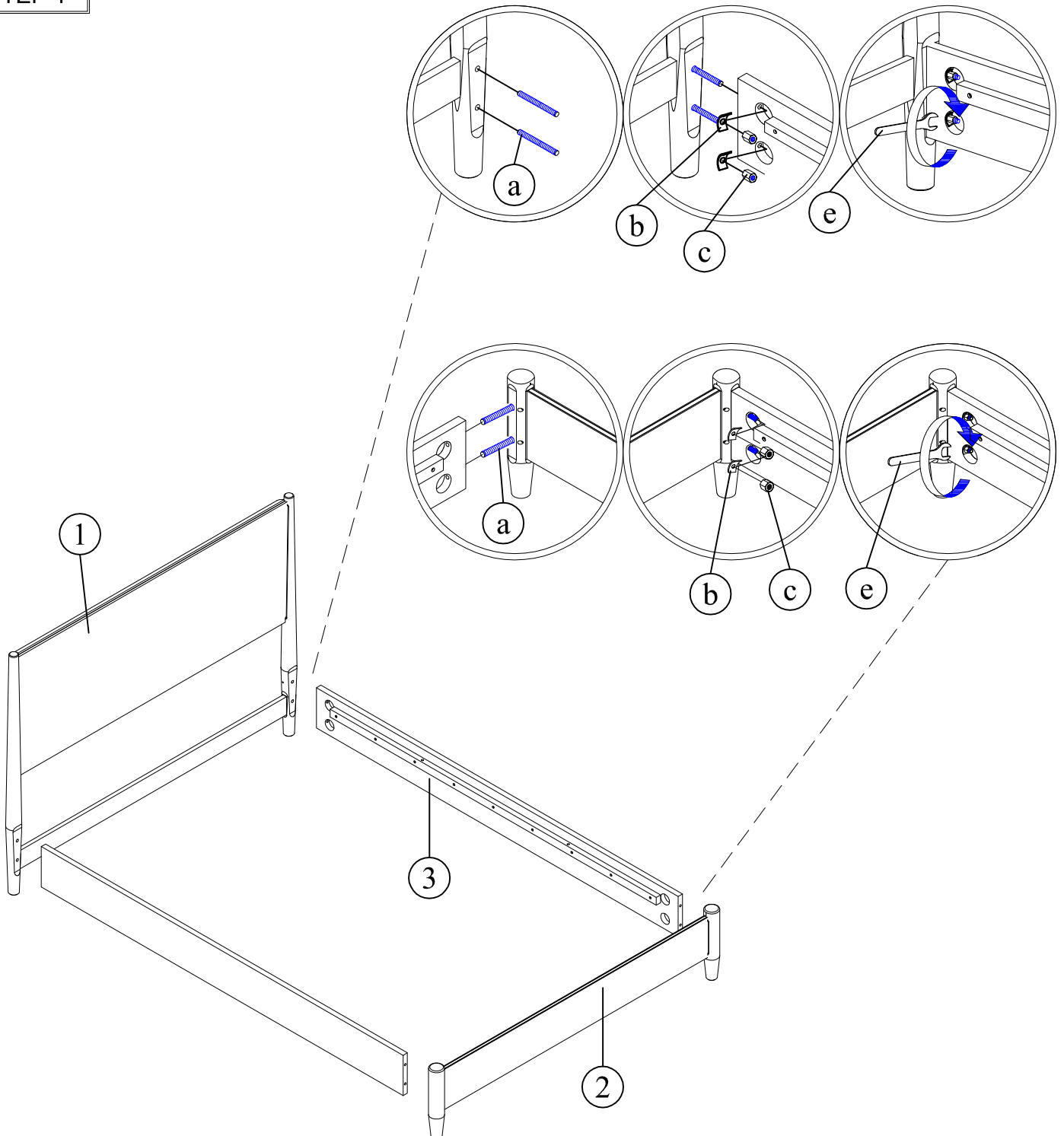
- |                  |     |
|------------------|-----|
| a. Stud Bolt     | 8 x |
| b. Square Washer | 8 x |
| c. Hex Nut       | 8 x |
| d. Screw         | 8 x |
| e. Wrench        | 1 x |

**C . Tool Required :**

1. Screw Driver = (not included)



**STEP 1**

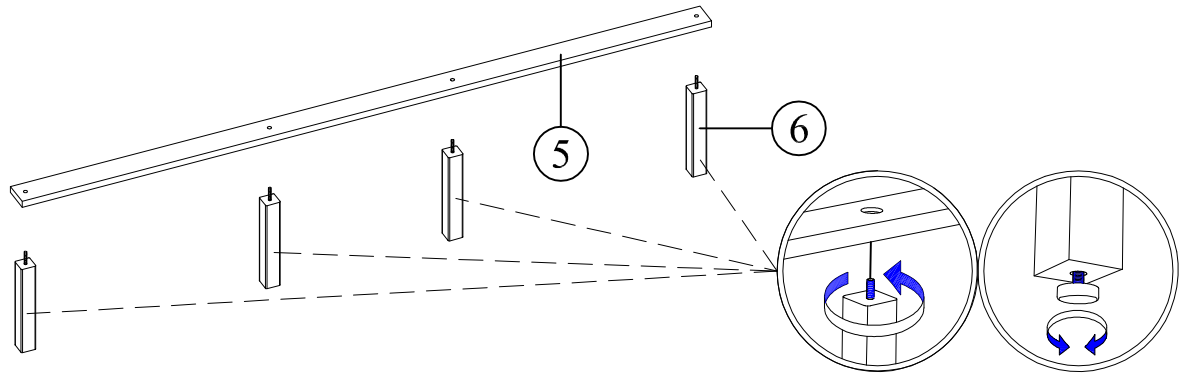


766-01Q / 766BLK-01Q  
766-07CK / 766BLK-07CK  
766-07EK / 766BLK-07EK  
766-08F / 766BLK-08F

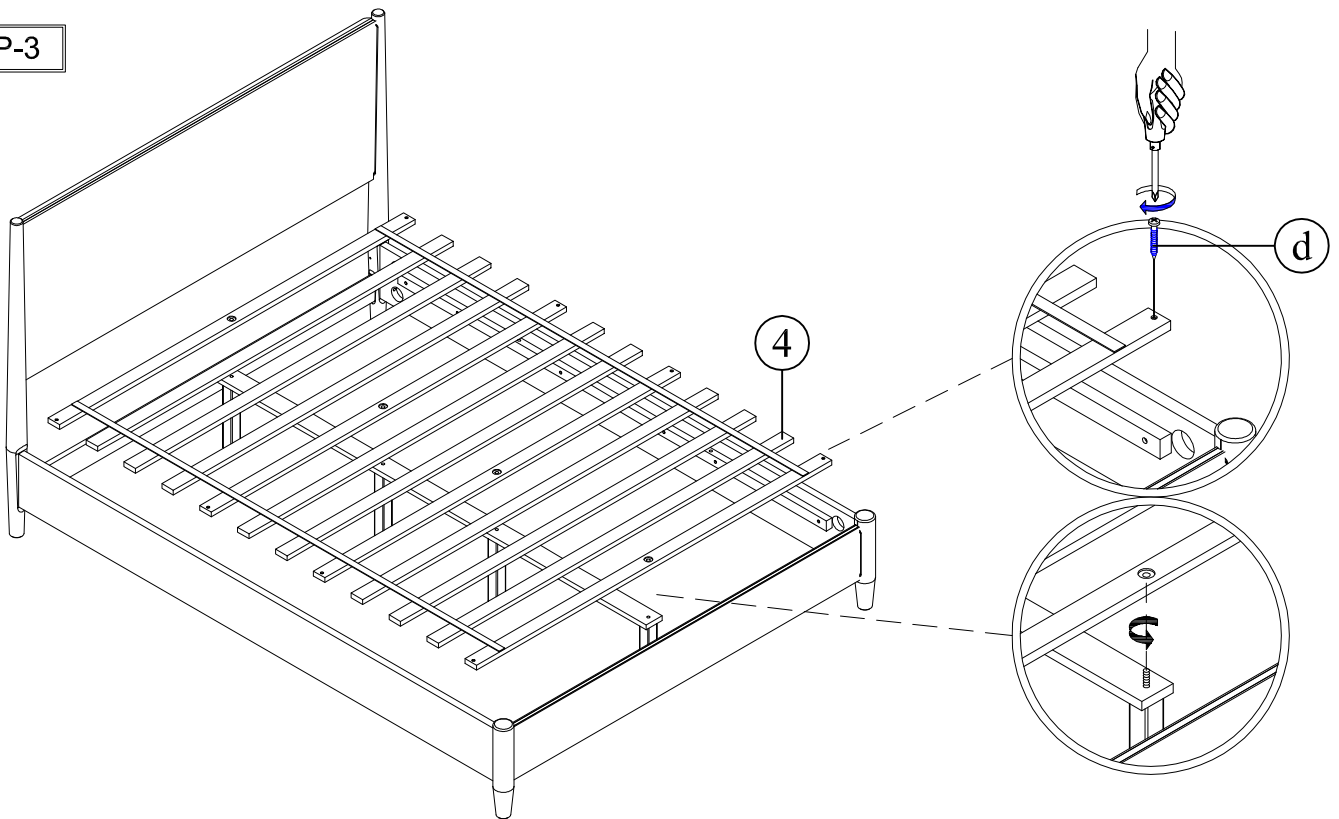
QUEEN PLATFORM BED  
CAL.KING PLATFORM BED  
EAST.KING PLATFORM BED  
FULL PLATFORM BED

**766**  
SERIES

STEP 2



STEP-3



FINISH

