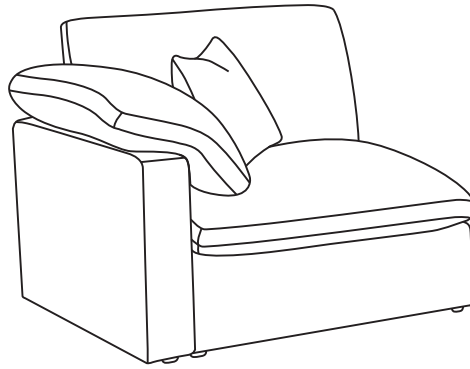
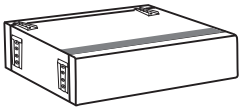
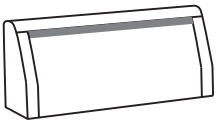
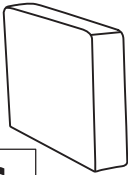


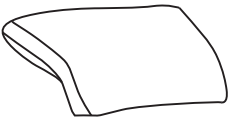
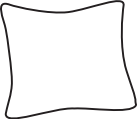


# ASSEMBLY INSTRUCTION

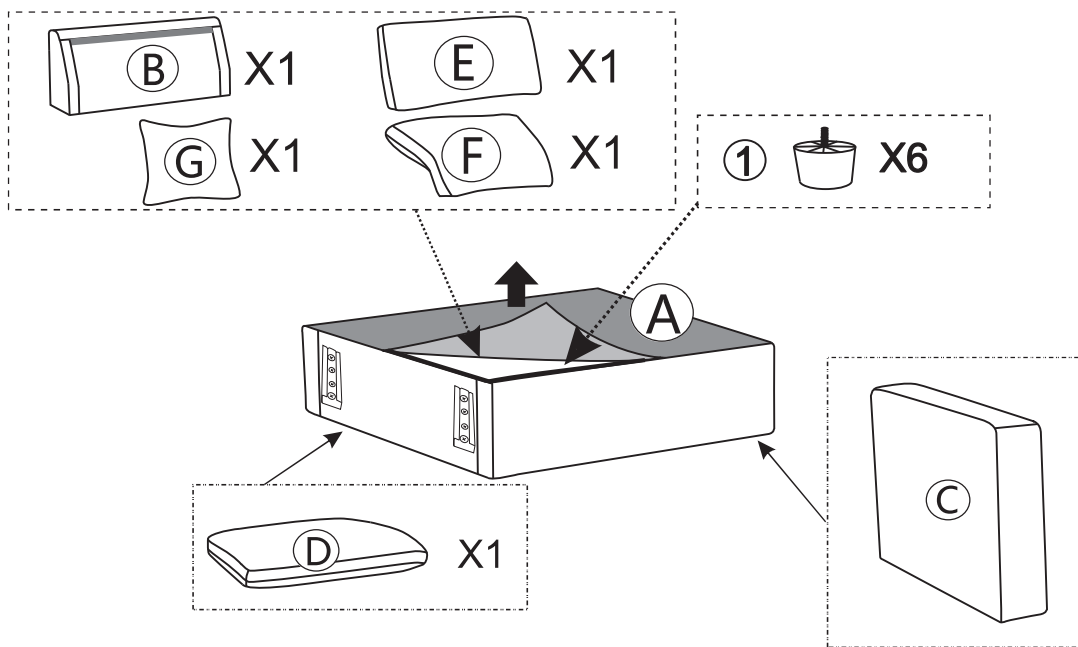


## PARTS LIST

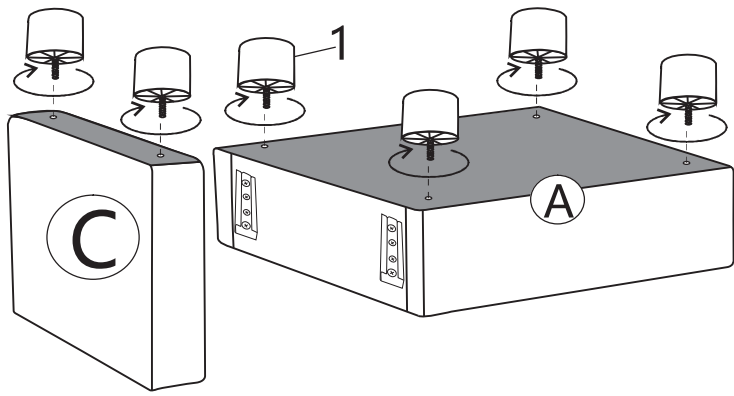
					
<b>A</b>	<b>B</b>	<b>C</b>	<b>D</b>	<b>E</b>	<b>F</b>
X1	X1	X1	X1	X1	X1
					
<b>G</b>					
X1					

## HARDWARE LIST

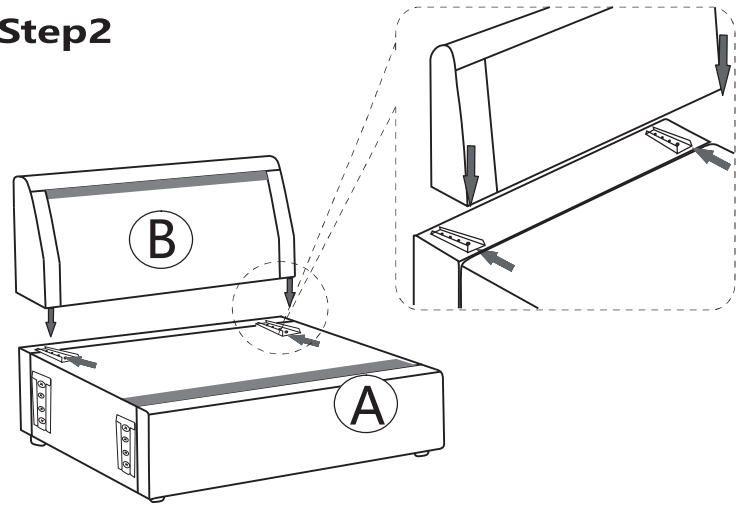
	
<b>1</b>	X6



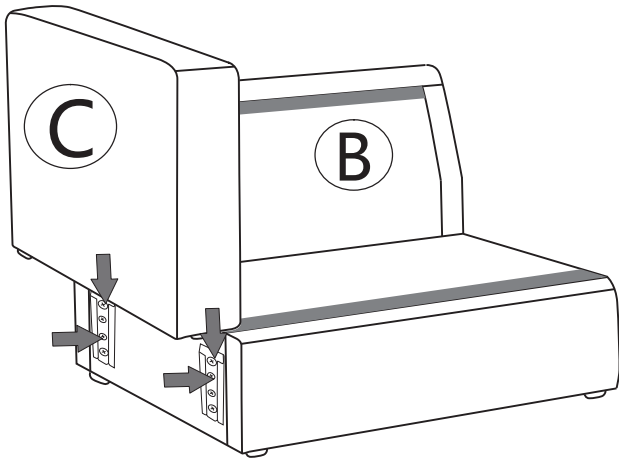
### Step1



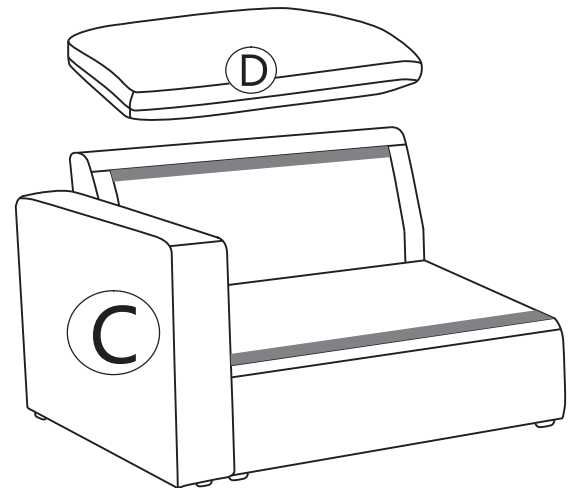
### Step2



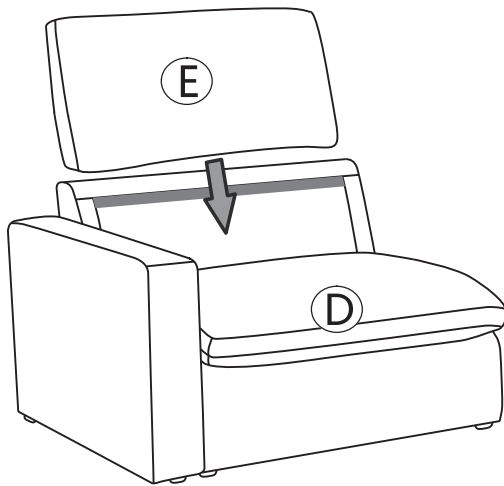
### Step3



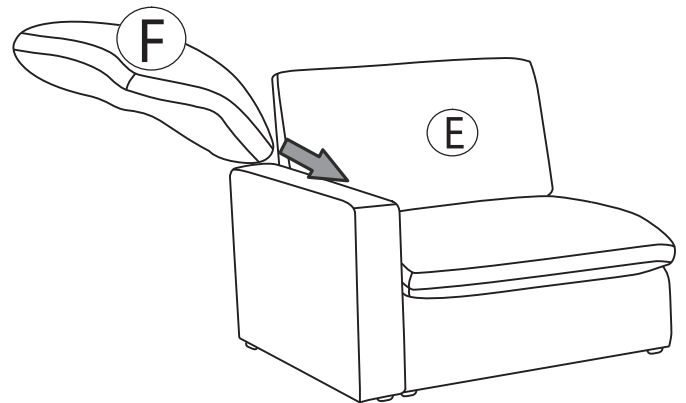
### Step4



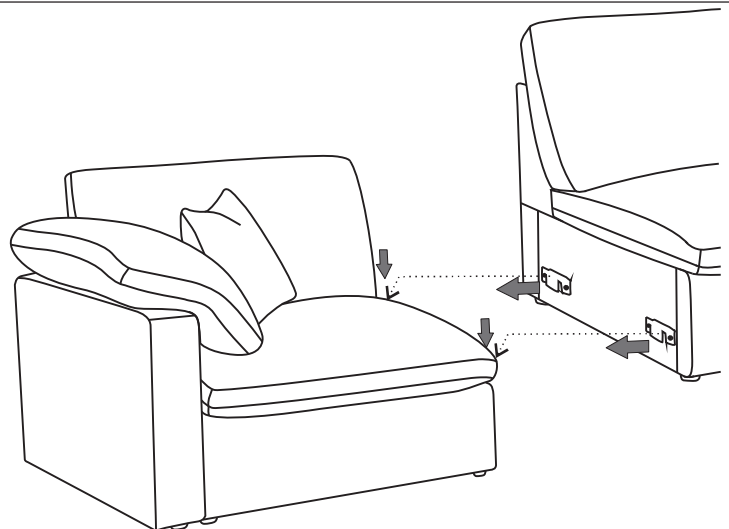
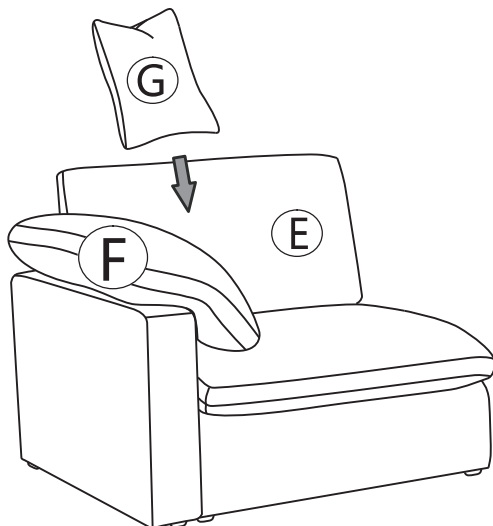
### Step5



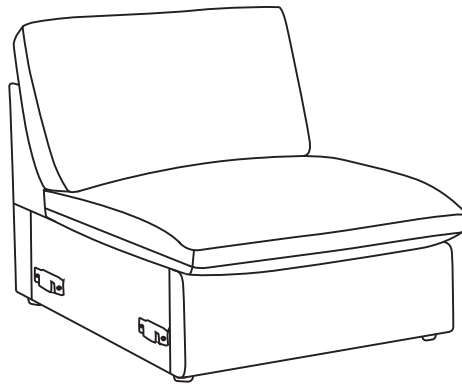
### Step6



### Step7



# ASSEMBLY INSTRUCTION

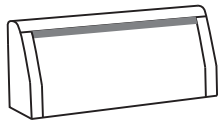


## PARTS LIST



**A**

X1



**B**

X1



**C**

X1



**D**

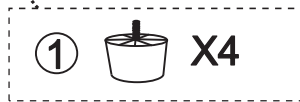
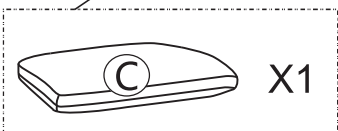
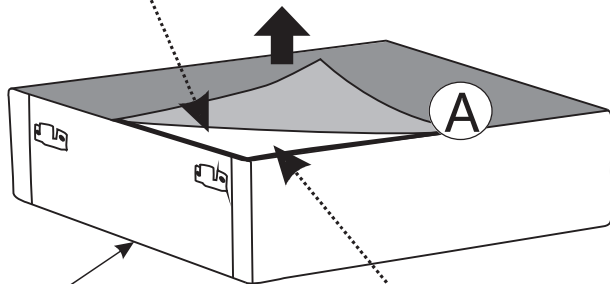
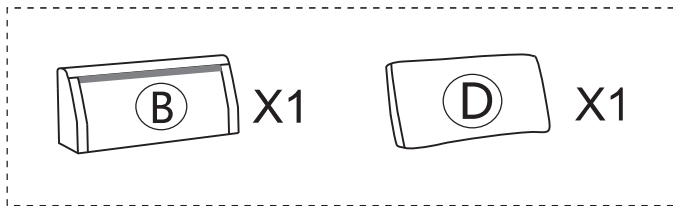
X1

## HARDWARE LIST

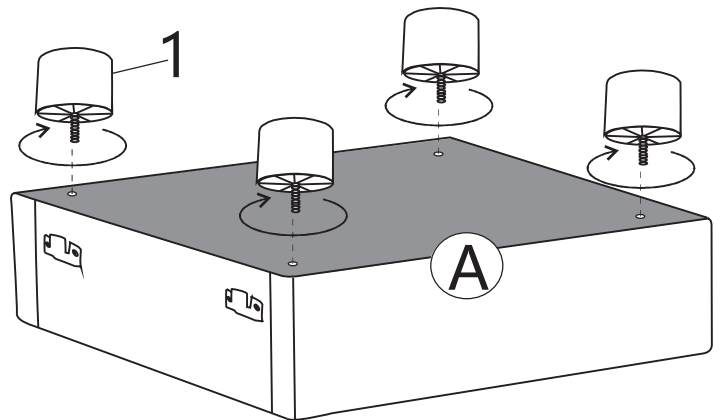


**1**

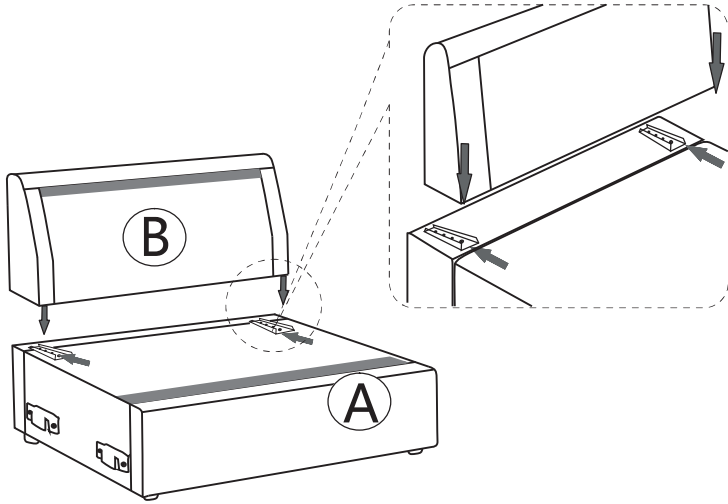
X4



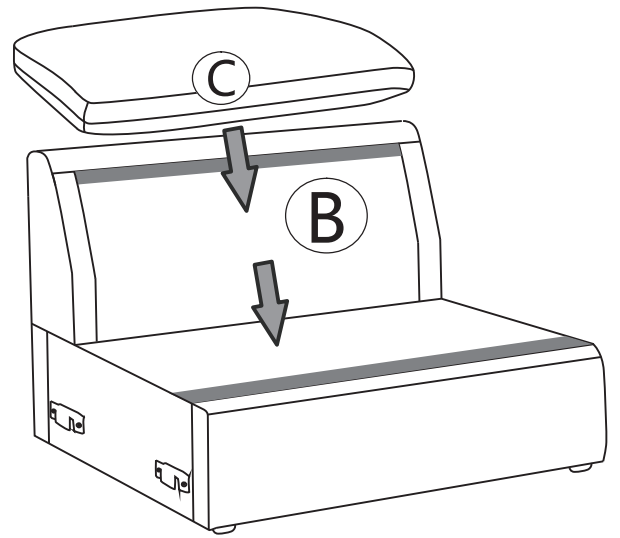
## Step 1



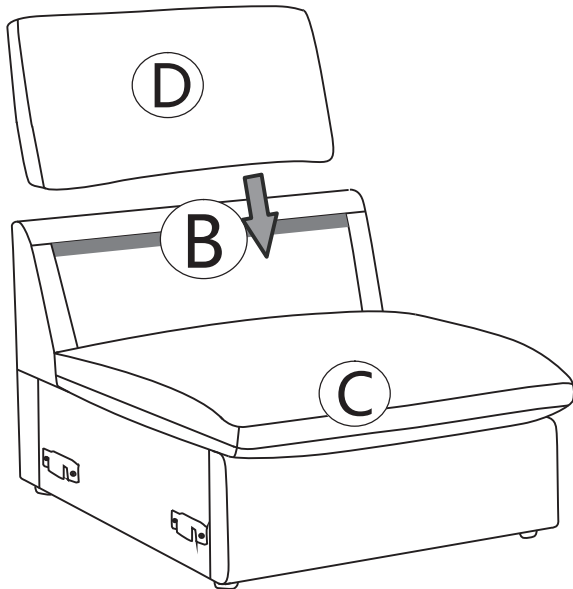
### Step2



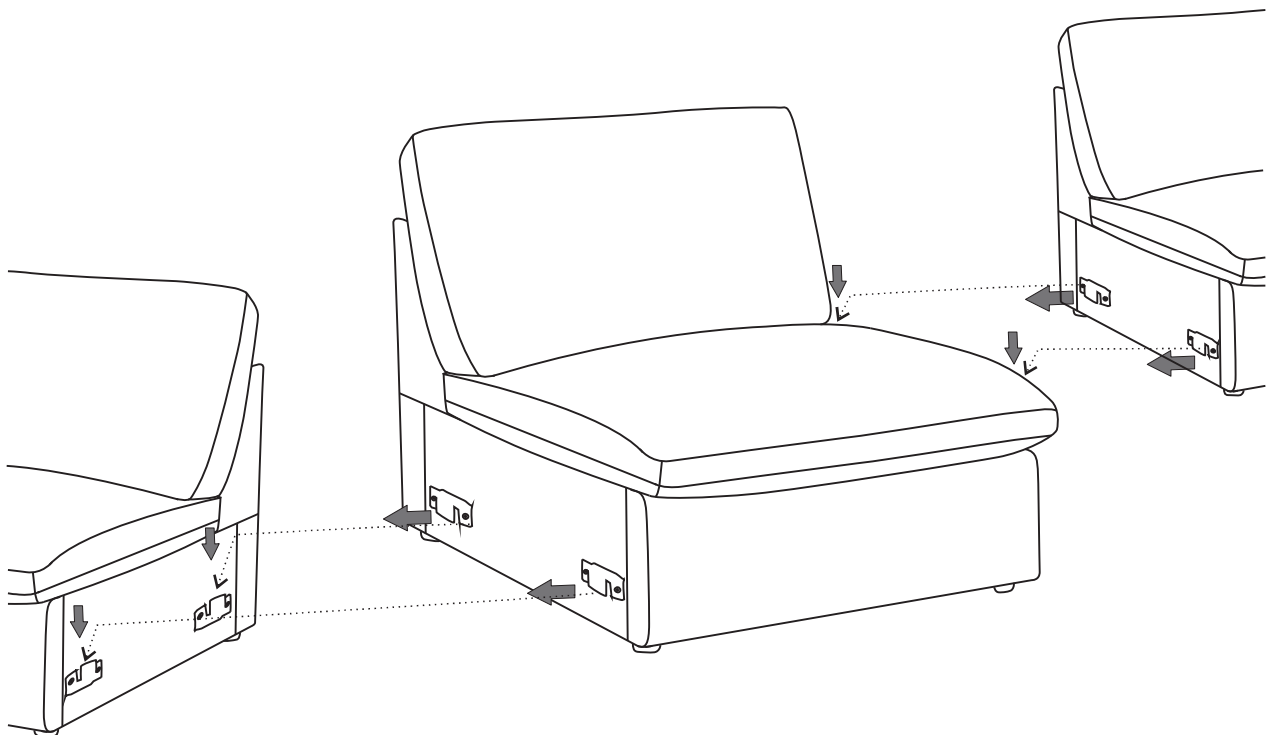
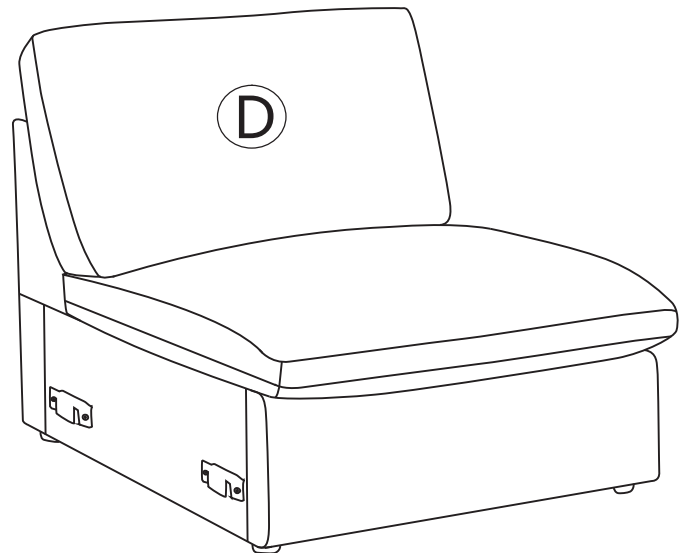
### Step3



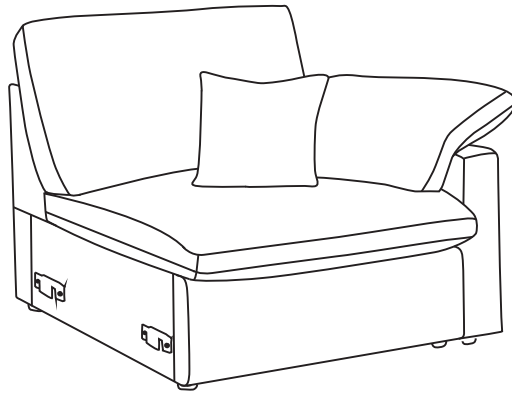
### Step4



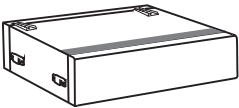
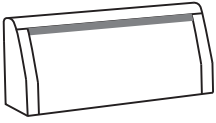
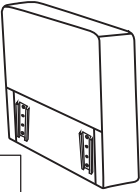



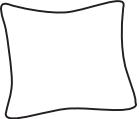
### Step5




# ASSEMBLY INSTRUCTION

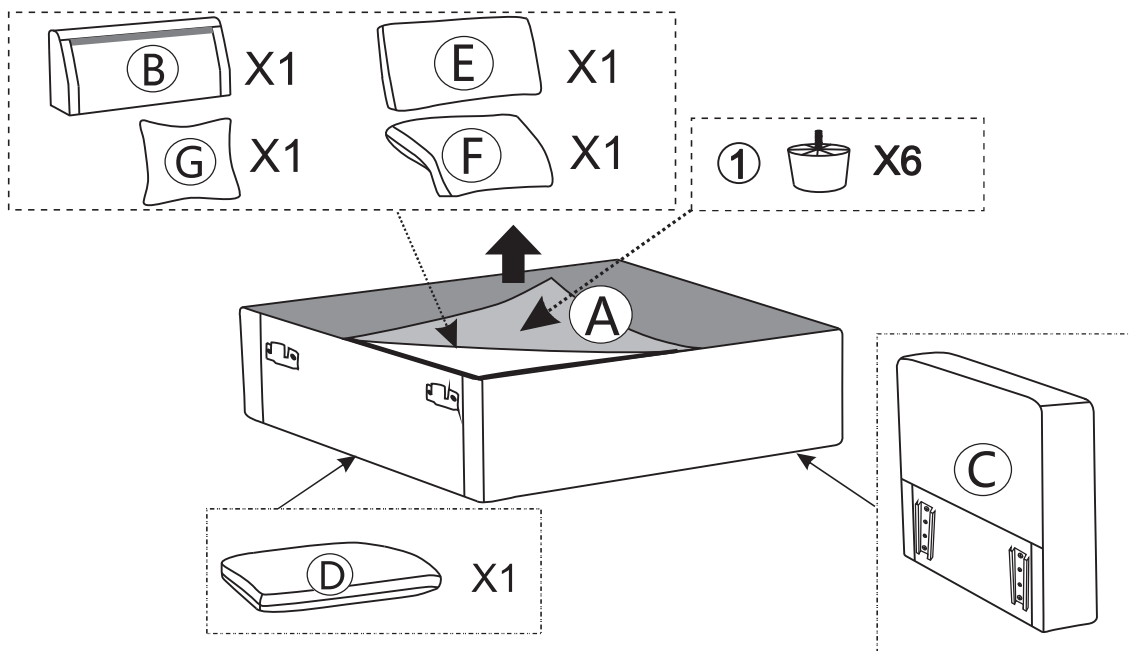


## PARTS LIST

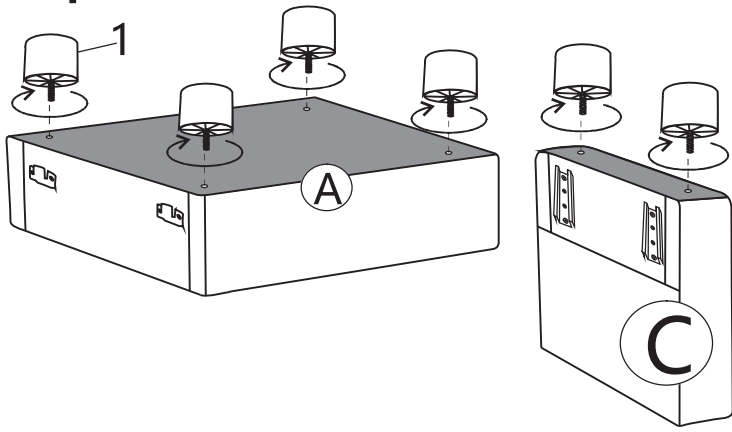
					
<b>A</b> X1	<b>B</b> X1	<b>C</b> X1	<b>D</b> X1	<b>E</b> X1	<b>F</b> X1
					
<b>G</b> X1					

## HARDWARE LIST

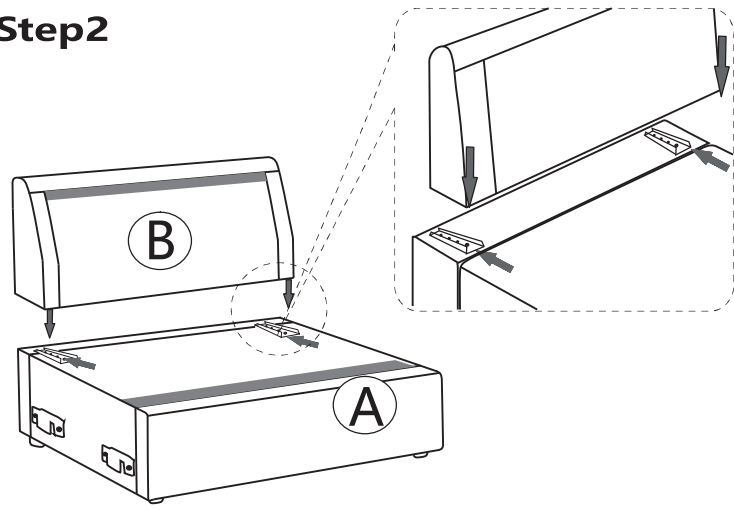
	
<b>1</b> X6	



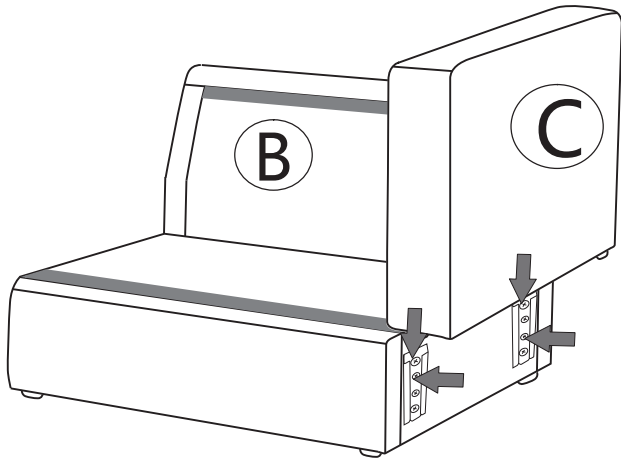
### Step1



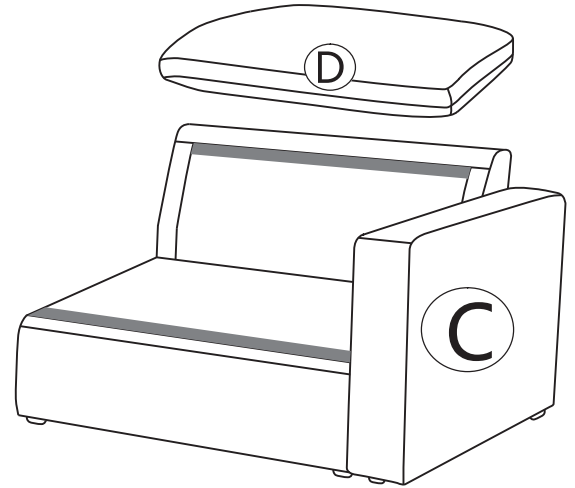
### Step2



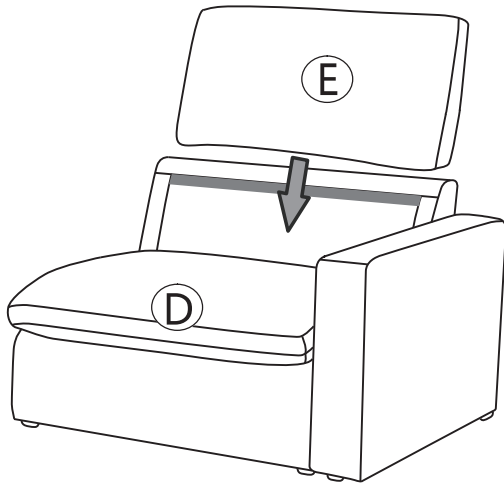
### Step3



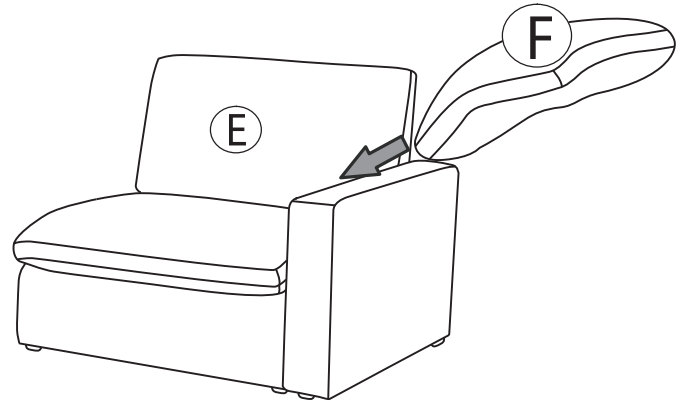
### Step4



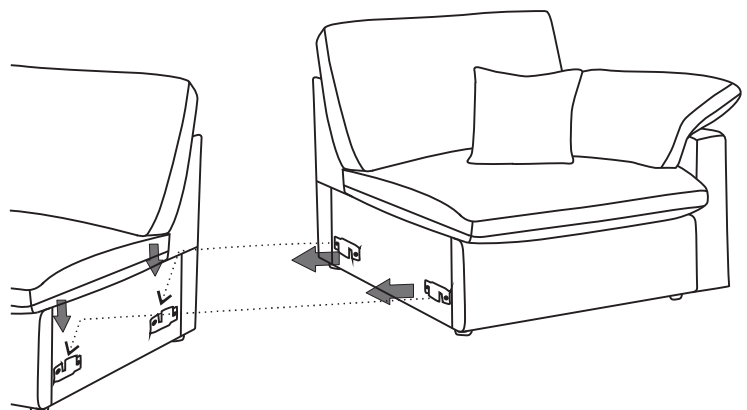
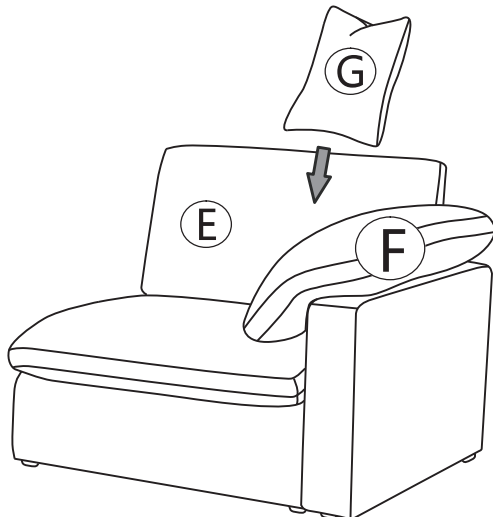
### Step5



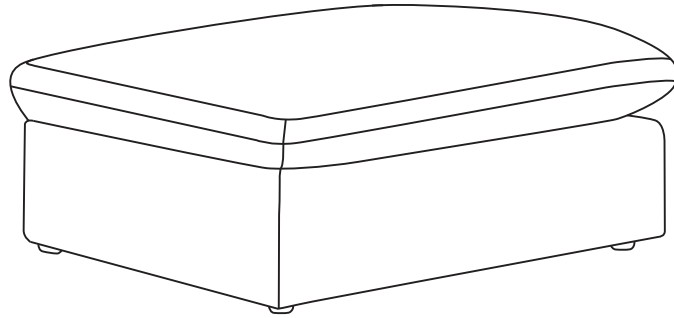
### Step6



### Step7



# ASSEMBLY INSTRUCTION



## PARTS LIST



**A**

X1



**B**

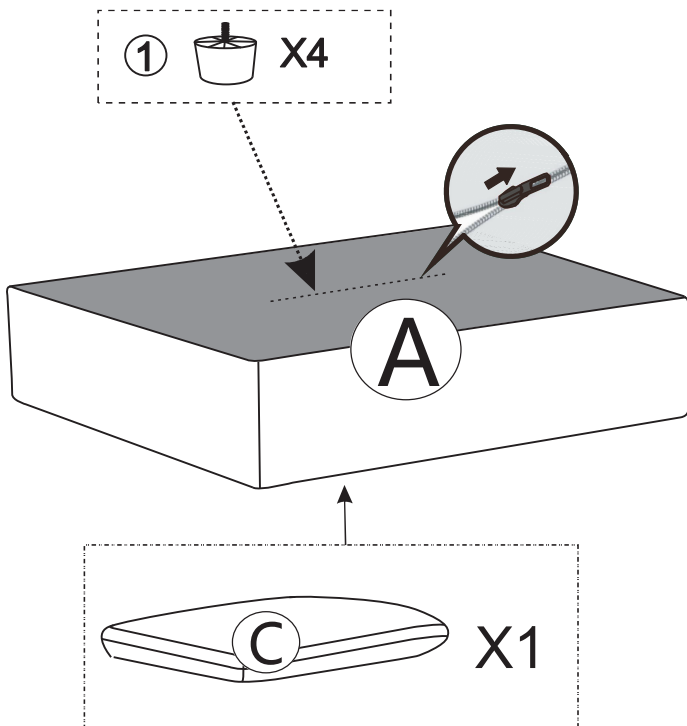
X1

## HARDWARE LIST

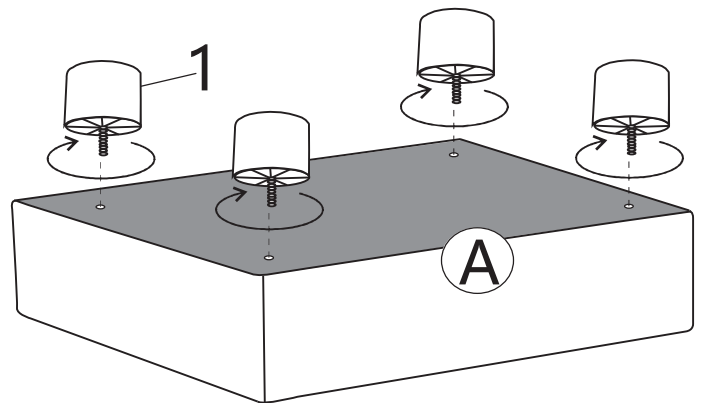


**1**

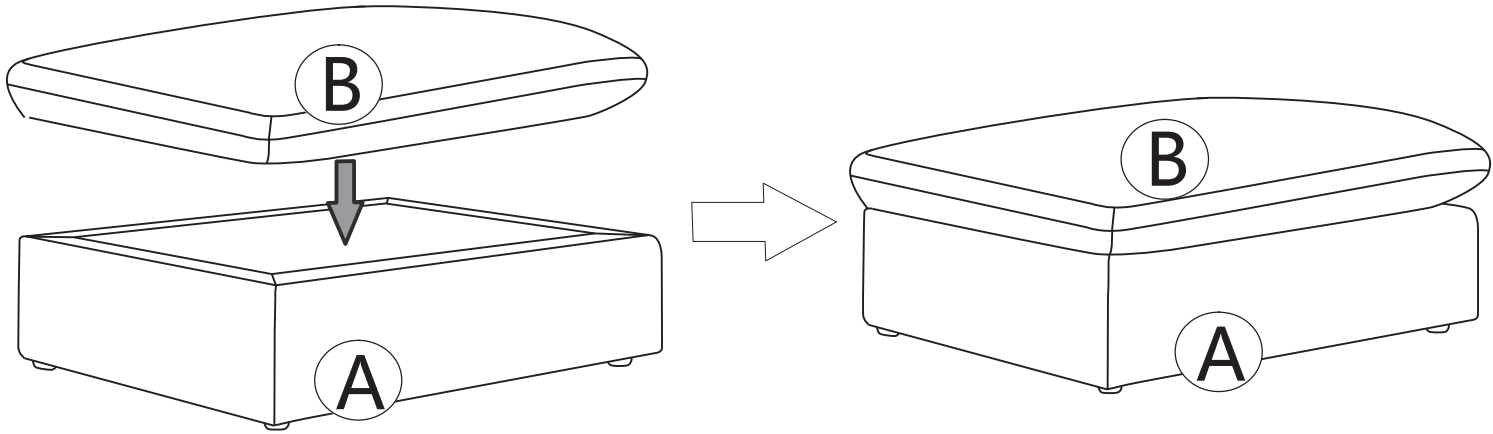
X4



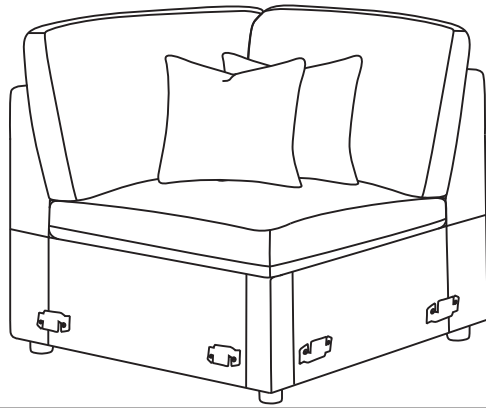
### Step 1





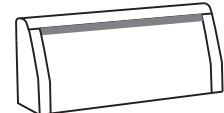
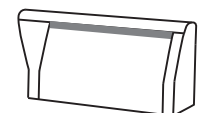


**Step2**



# ASSEMBLY INSTRUCTION

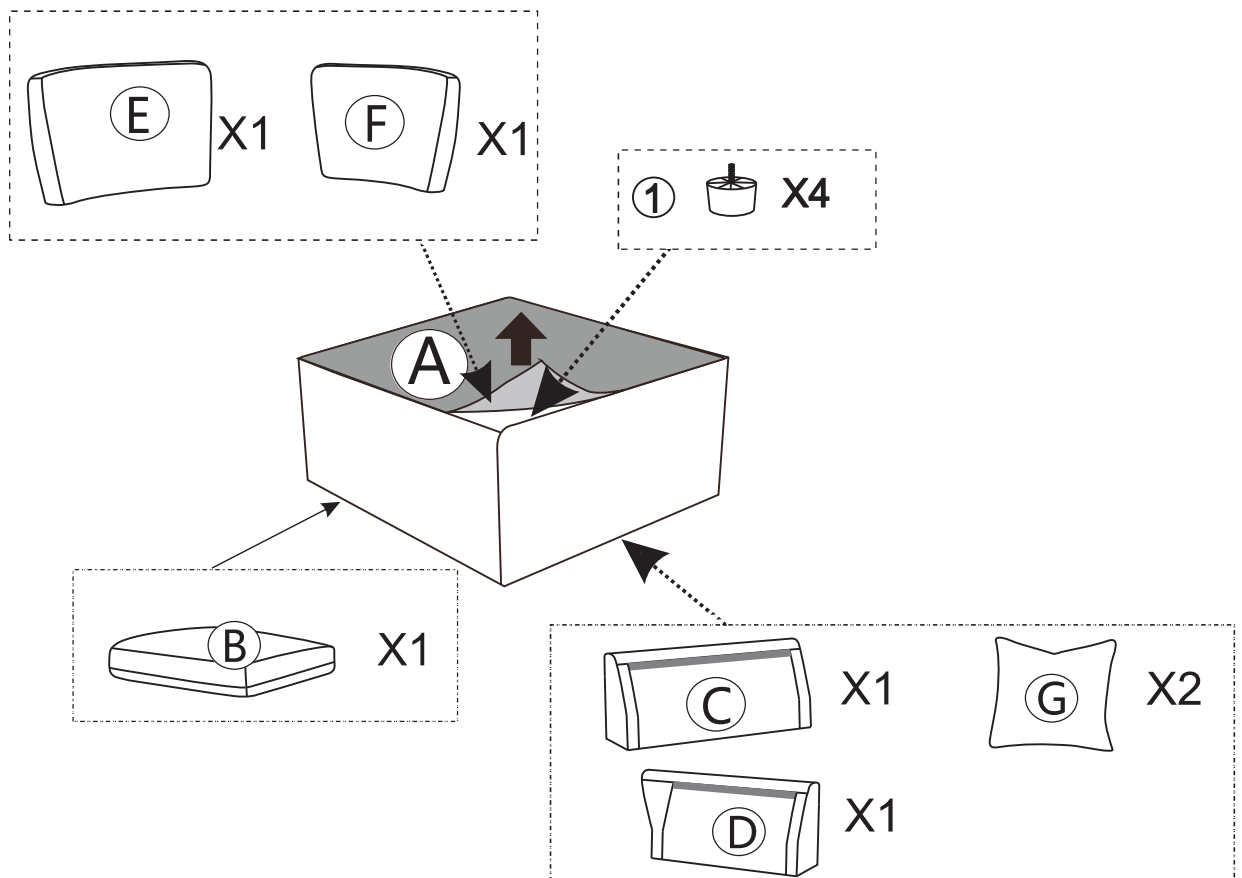


## PARTS LIST

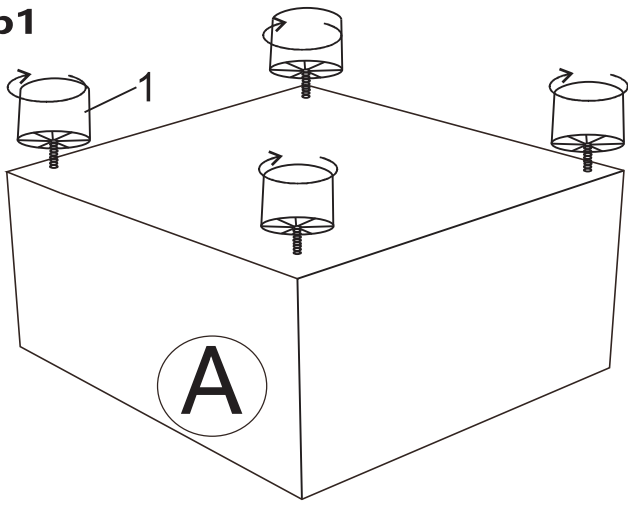
					
<b>A</b>	<b>B</b>	<b>C</b>	<b>D</b>	<b>E</b>	<b>F</b>
X1	X1	X1	X1	X1	X1

## HARDWARE LIST

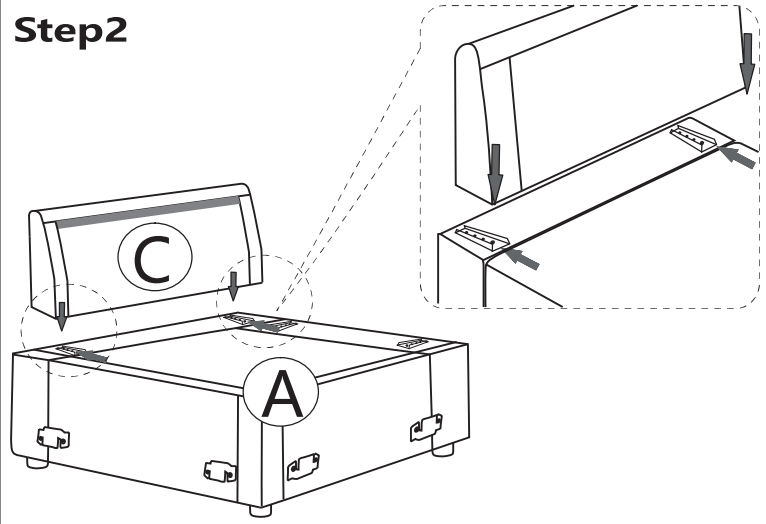
 Ø 55X30mm	
<b>1</b>	<b>G</b>
X4	X2



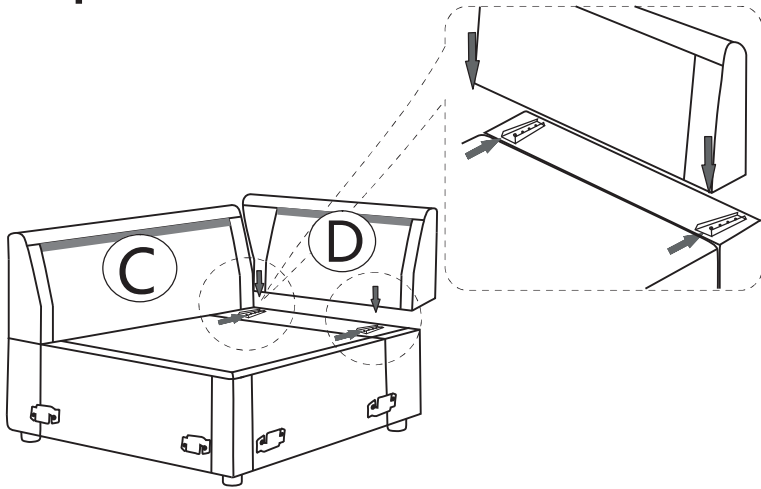
**Step1**



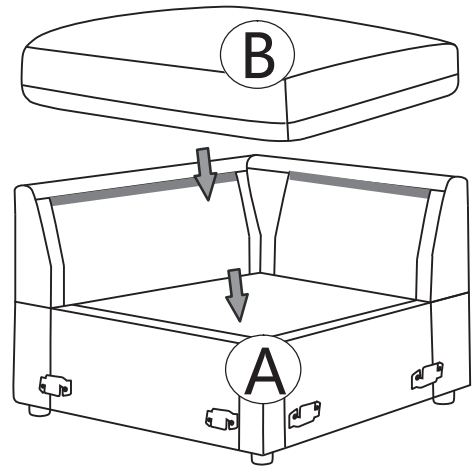
**Step2**



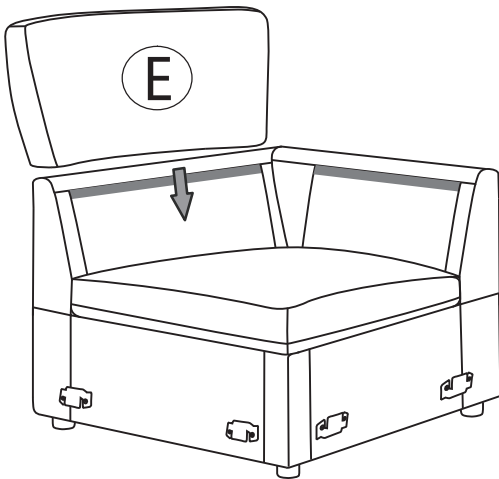
**Step3**



**Step4**



**Step5**



**Step6**

