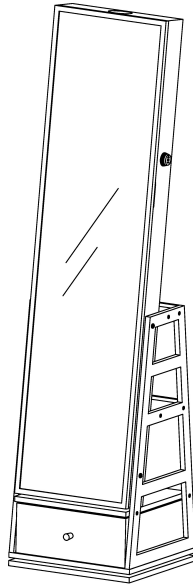


**TOUGH TOOLS, HALF PRICE**

**JEWELRY CABINET**

We continue to be committed to provide you tools with competitive price. "Save Half", "Half Price" or any other similar expressions used by us only represents an estimate of savings you might benefit from buying certain tools with us compared to the major top brands and does not necessarily mean to cover all categories of tools offered by us. You are kindly reminded to verify carefully when you are placing an order with us if you are actually saving half in comparison with the top major brands.

# JEWELRY CABINET



This is the original instruction, please read all manual instructions carefully before operating. Reserves a clear interpretation of our user manual. The appearance of the product shall be subject to the product you received. Please forgive us that we won't inform you again if there are any technology or software updates on our product.

## SAFETY INSTRUCTIONS

### **WARNING:**

1. This manual lists the contents included in the box. Please take time to identify the hardware as well as the individual components of the product.
2. As you unpack and prepare for assembly, place the contents on a carpeted or padded area to protect them from damage.
3. Small parts present in an unassembled state. It's a choking hazard! During the mounting process, keep small objects out of the reach of children. It may be fatal if swallowed or inhaled.
4. To avoid the danger of suffocation, keep the plastic bag away from babies and children.
5. Please follow the assembly instructions closely. Improper assembly can result in personal or property damage.
6. Assembled by an adult. The product is not intended for children. Children must be under adult supervision to use the product. Otherwise the seller is not liable for the damage or the injury.
7. Never allow children to climb or play around the product, in order to prevent the product falling and mirror body being broken, and protect children from personal injury.
8. Do not install it in a dark, damp place.
9. Prohibit child climbing.
10. Clean and disinfect your product frequently to keep it clean and hygienic.
11. There may have the smell when unwrap the packaging, please place the cabinet in a ventilated area and open the door to remove the smell.

### **FCC Information for LED lamp**

**CAUTION:** Changes or modifications not expressly approved by the party responsible for compliance could void the user's authority to operate the equipment!

This device complies with Part 15 of the FCC Rules. Operation is subject to the following two conditions:

1) This product may cause harmful interference.

2) This product must accept any interference received, including interference that may cause undesired operation.

**WARNING:** Changes or modifications to this product not expressly approved by the party responsible for compliance could void the user's authority to operate the product.

**Note:** This product has been tested and found to comply with the limits for a Class B digital device pursuant to Part 15 of the FCC Rules, These limits are designed to provide reasonable protection against harmful interference in a residential installation.

This product generates, uses and can radiate radio frequency energy, and if not installed and used in accordance with the instructions, may cause harmful interference to radio communications. However, there is no guarantee that interference will not occur in a particular installation. If this product does cause harmful interference to radio or television reception, which can be determined by turning the product off and on, the user is encouraged to try to correct the interference by one or more of the following measures.

- Reorient or relocate the receiving antenna.
- Increase the distance between the product and receiver.
- Connect the product to an outlet on a circuit different from that to which the receiver is connected.
- Consult the dealer or an experienced radio/TV technician for assistance.

### **CORRECT DISPOSAL for LED lamp**



This product is subject to the provision of European Directive 2012/19/EU. The symbol showing a wheellie bin crossed through indicates that the product requires separate refuse collection in the European Union. This applies to the product and all accessories marked with this symbol. Products marked as such may not be discarded with normal domestic waste, but must be taken to a collection point for recycling electrical and electronic devices.

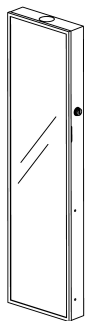
## MODEL AND PARAMETERS

Product Size	H*W*D=63*15.43*14.41in	
Color	White	Brown
LED light	DC 5V/4.5W	
Mounting Type	Standing type	
Material	Medium density fiberboard+Glass+Velvet	

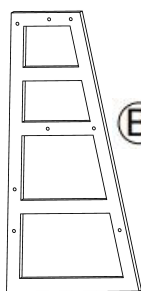
## PARTS LIST AND INSTALLATION

### NOTE:

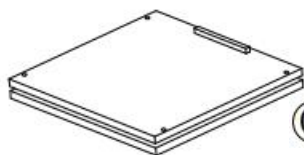
1. Please check you have all the parts as shown in the part list.
2. Follow the assembly steps shown in the diagram to position and adjust the parts, then gradually tighten all screws (note: do not tighten excessively).
3. It is recommended to mount the cabinet by two adults. Pay attention to mount the cabinet horizontally and ensure the firmness to avoid overturning or falling.



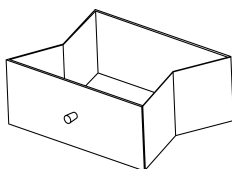
Ⓐ X1



Ⓑ X2



Ⓒ X1



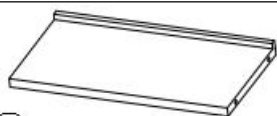
Ⓓ X1



Ⓔ X1



Ⓕ X1



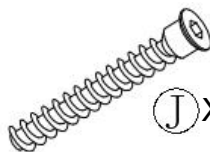
Ⓖ X1



Ⓗ X1



Ⓘ X3



Ⓙ X16



Ⓚ X4

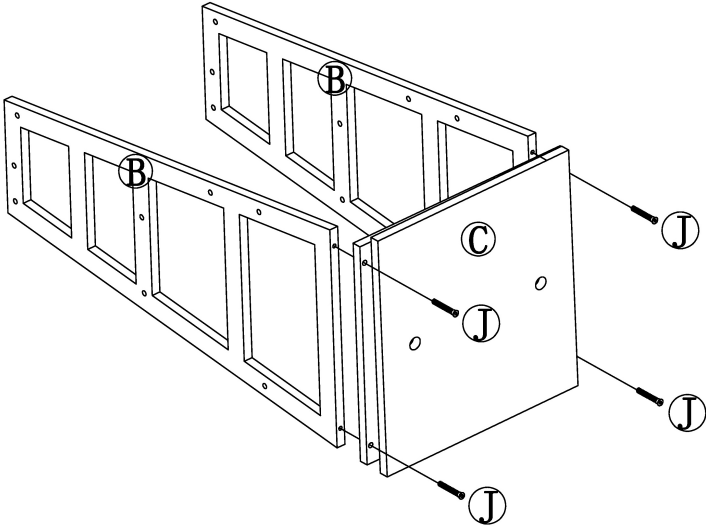


Ⓛ X6

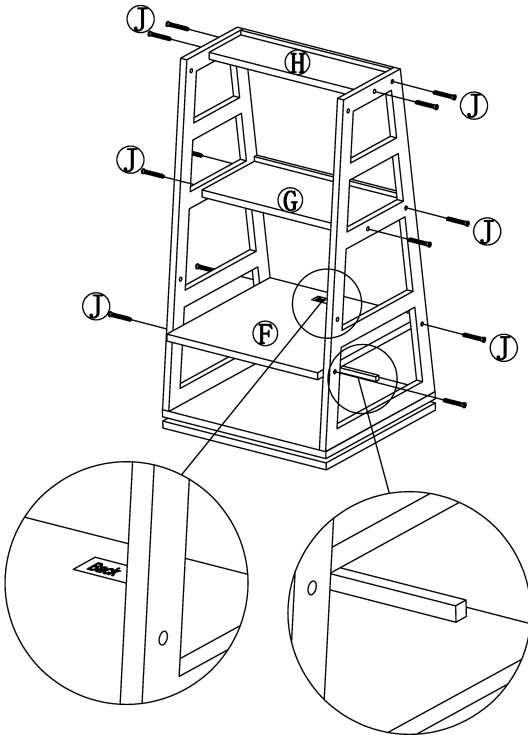


Ⓜ X1

# STEP 1

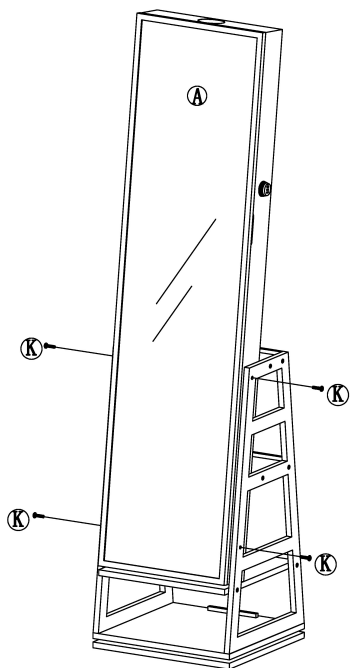


# STEP 2

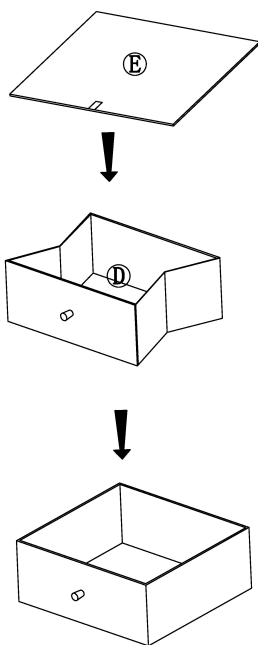


**NOTE:** The side of the board F with "Back" mark, and the side of the turntable base B with the raised stop are all in the back.

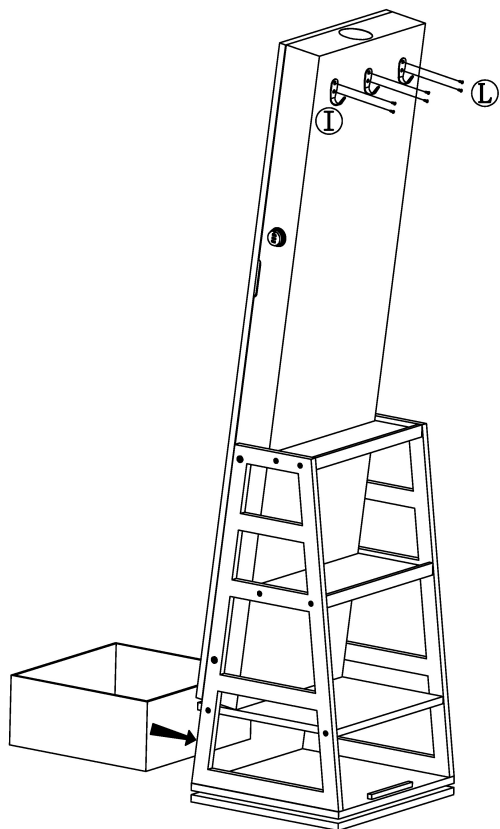
### STEP 3



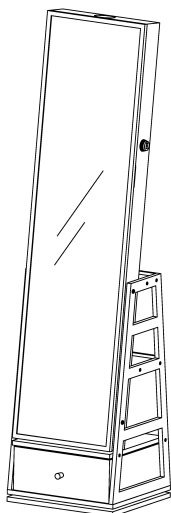
### STEP 4



## STEP 5



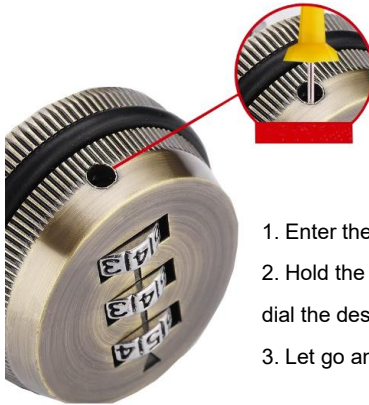
## STEP 6



## INSTRUCTIONS FOR LOCK

The lock is opened at the original number 0-0-0, aligned with the indication line.

### Password change method:



Sharp object against this hole.

1. Enter the old password and align it with the scale.
2. Hold the pointed object against the hole, and then dial the desired password.
3. Let go and the password is set.

## MAINTENANCE

1. Open and close the door lightly, so as not to damage the hinges (opening angle of the door is about 100 degrees.)
2. Please put the article on the flat ground and away from sharp and hard objects. Prohibit rudely dragging the cabinet, please lift it up to finish the move.
3. For daily care, please clean with a soft and dry cloth. If necessary, you can use the neutral detergent. Not be allowed to wipe the surface with a wet cloth or hard objects.
4. Keep the article away from acidic chemicals so as not to cause chemical reactions or discoloration, etc.
5. Keep this product in room with normal temperature. Avoid direct sunlight or next to heat sources, which can cause the deformation, distortion even cracking.