

LINARI

HEXANOVA 60

Smart Ceiling Fan



Shown: HEX-60-BKWN
Black Finish with Walnut Blades

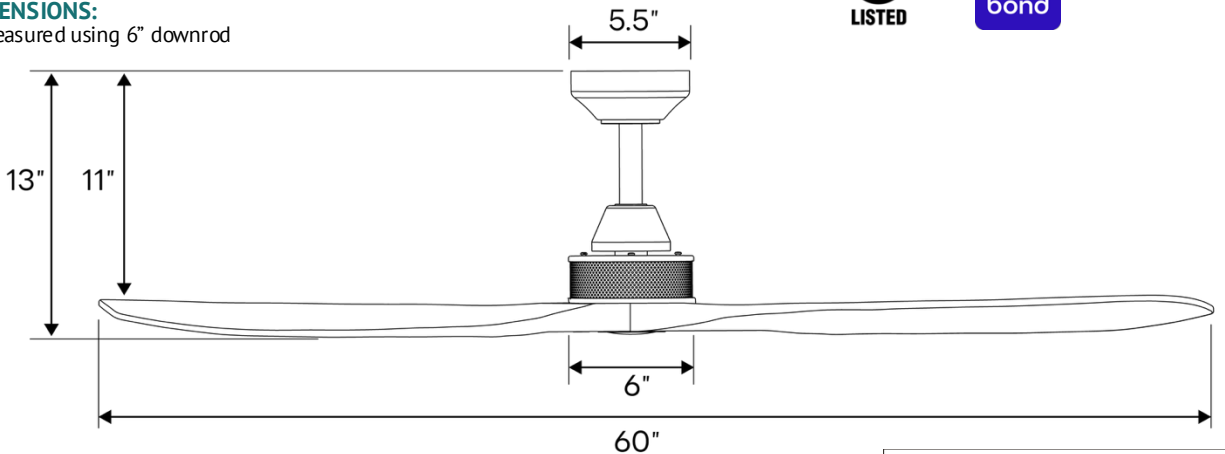
AVAILABLE FINISHES		
HEX - 60 - ****		
Finish	Fan	Blades
BK	Black	Black
BKWN	Black	Walnut
BKNA	Black	Natural
BS	Brushed Steel	Silver
BBBK	Brushed Brass	Black
BBWN	Brushed Brass	Walnut
BBWH	Brushed Brass	White
BZWW	Bronze	Warm Weathered
SPECIFICATIONS		
Motor Type	DC 85 x 28mm	
Smart Control	Smart by Bond	
Handheld Remote	REM100, Included	
Body Material	Steel	
Blade Material	Real Wood	
Standards	UL/cUL	
Environment	Damp rated	
Hanging Weight	12.6 lbs (5.7 kg)	
Carton Size	37in x 13in x 12in	

FEATURES:

- 6 speed, reversible DC Motor / Silent + Energy Saving
- 3 real wood, hand-carved blades / 60" blade sweep
- Handheld remote with wall-mounted control holder included
- Smart home Wi-Fi control with the Bond Home app: Control from anywhere using your smart phone or your preferred smart home system
- Compatible with Amazon Alexa, Google Assistant, Samsung SmartThings, and more
- 6" long / 1" diameter downrod included
- Additional downrod sizes available, sold separately
- Mounting slope up to 20°
- Lifetime Motor Warranty
- Made in TAIWAN

DIMENSIONS:

- Measured using 6" downrod



PERFORMANCE AND ENERGY INFORMATION:

Fan Speed	Airflow(CFM)	Power(W)	Efficiency(CFM/W)
Low	2,039	3.59	567.97
High	6,489	30.80	210.68

ENERGYGUIDE

Estimated
Yearly Energy Cost

\$6

\$3 | | | \$34

Cost Range of Similar Models (19" - 84")

• Based on 12 cents per kWh and 6.4 hours use per day
• Your cost depends on rates and use
• Energy Use: 22 Watts

Airflow
4,403

Cubic Feet Per Minute

• The higher the airflow, the more air the fan will move
• Airflow Efficiency: 200 Cubic Feet Per Minute Per Watt

All estimates based on typical use, excluding lights ftc.gov/energy