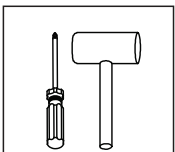


00:30

Approx. 30 minutes



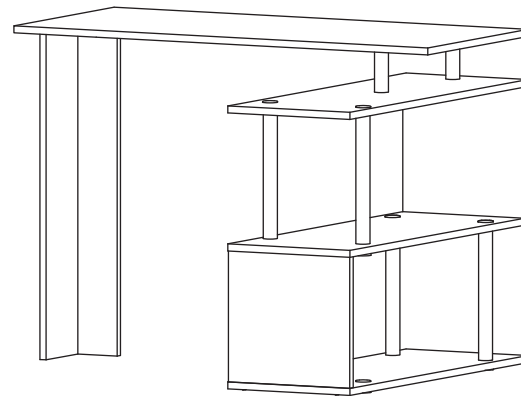
Recomm. 2 Person





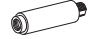



Tool Required

## ***Assembly Instruction***

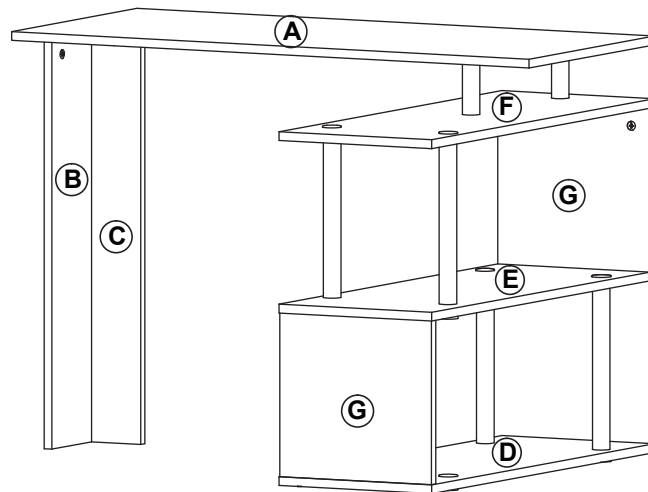
L- Shape Computer Desk with 3 - Tier Shelves



# HARDWARE AND PART LIST

	HARDWARE	QTY
1	MINIFIX 	9 PCS
2	MIDDLE LONG POLE 	4 PCS
3	EX SHORT POLE 	2 PCS
4	STOPPER LEG 	8 PCS
5	TOP CAP 	6 PCS
6	C/B SCREW 	4 PCS

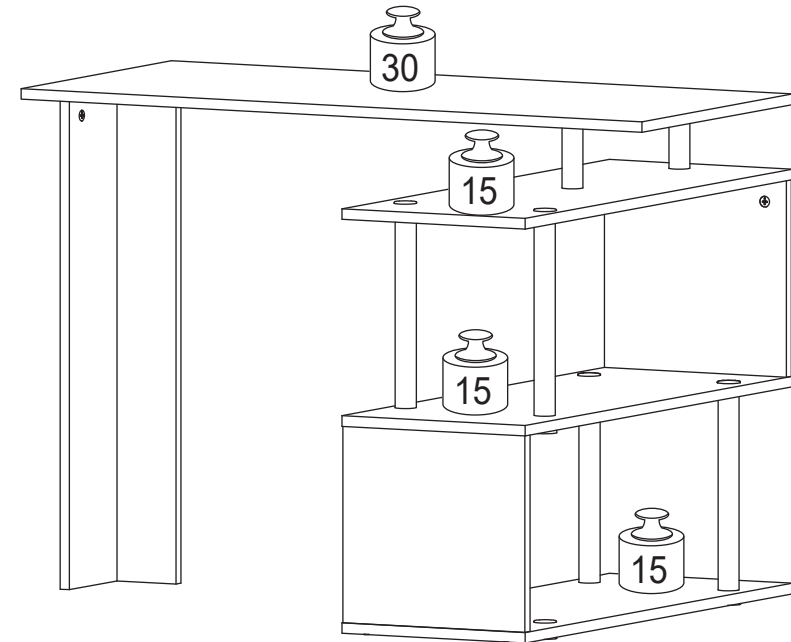
NO	PART	QTY
A	TOP PANEL	1 PC
B	SIDE PANEL	1 PC
C	BACK PANEL	1 PC
D	BOTTOM SHELF PANEL	1 PC
E	CENTER SHELF PANEL	1 PC
F	TOP SHELF PANEL	1 PC
G	SMALL SIDE PANEL	2 PCS



## USEFUL HINTS BEFORE YOU START:

1. Read each step carefully before starting.
2. It is important that each step is performed in correct order to avoid difficulties.
3. Identify, sort and count the parts before assembly.
4. Assemble your furniture on packaging cardboard to prevent scratch or damage.
5. Clean the product with mild cleanser using soft damped cloth. Do not use harsh or abrasive cleanser.
6. Using incompatible hardware might cause damage to product.

## Recommended Maximum Weight



\*Unit in Pound(lbs)

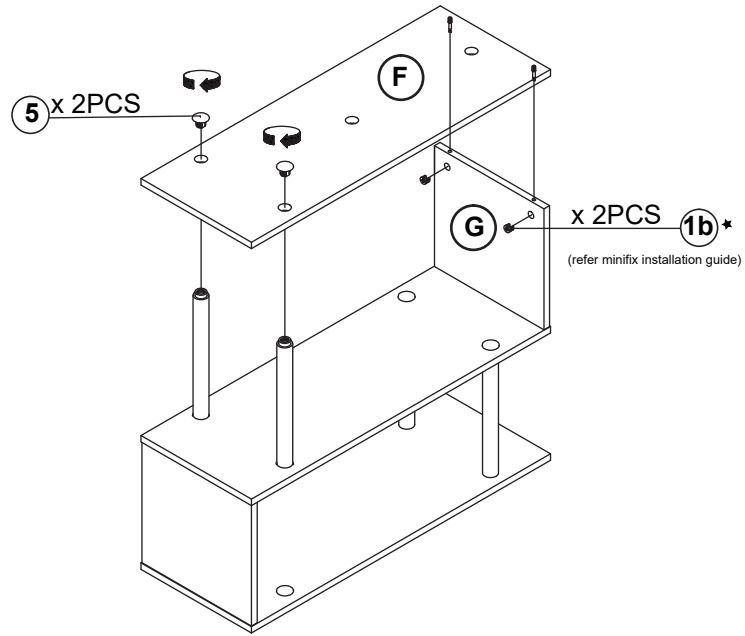
## **WARNING:**

>This unit has been designed to support the maximum loads shown. Exceeding these load limits could cause sagging, instability, product collapse, and/or serious injury.

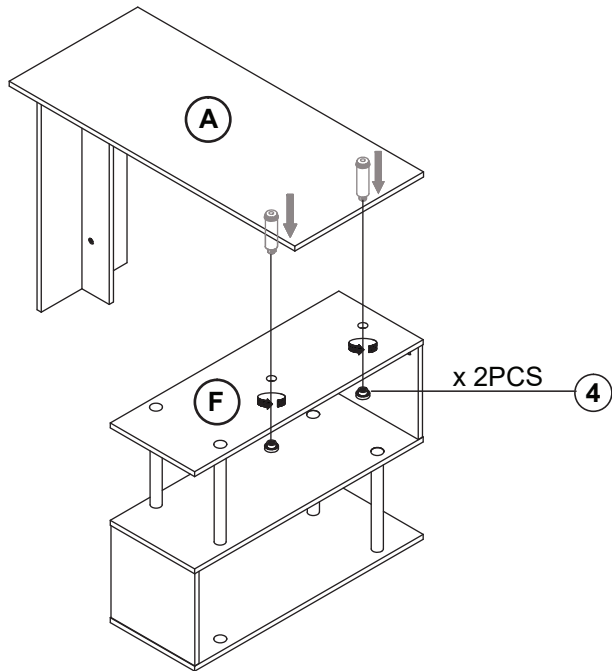
>DO NOT allow children to climb on unit.

>Put heavier items on lower shelves.

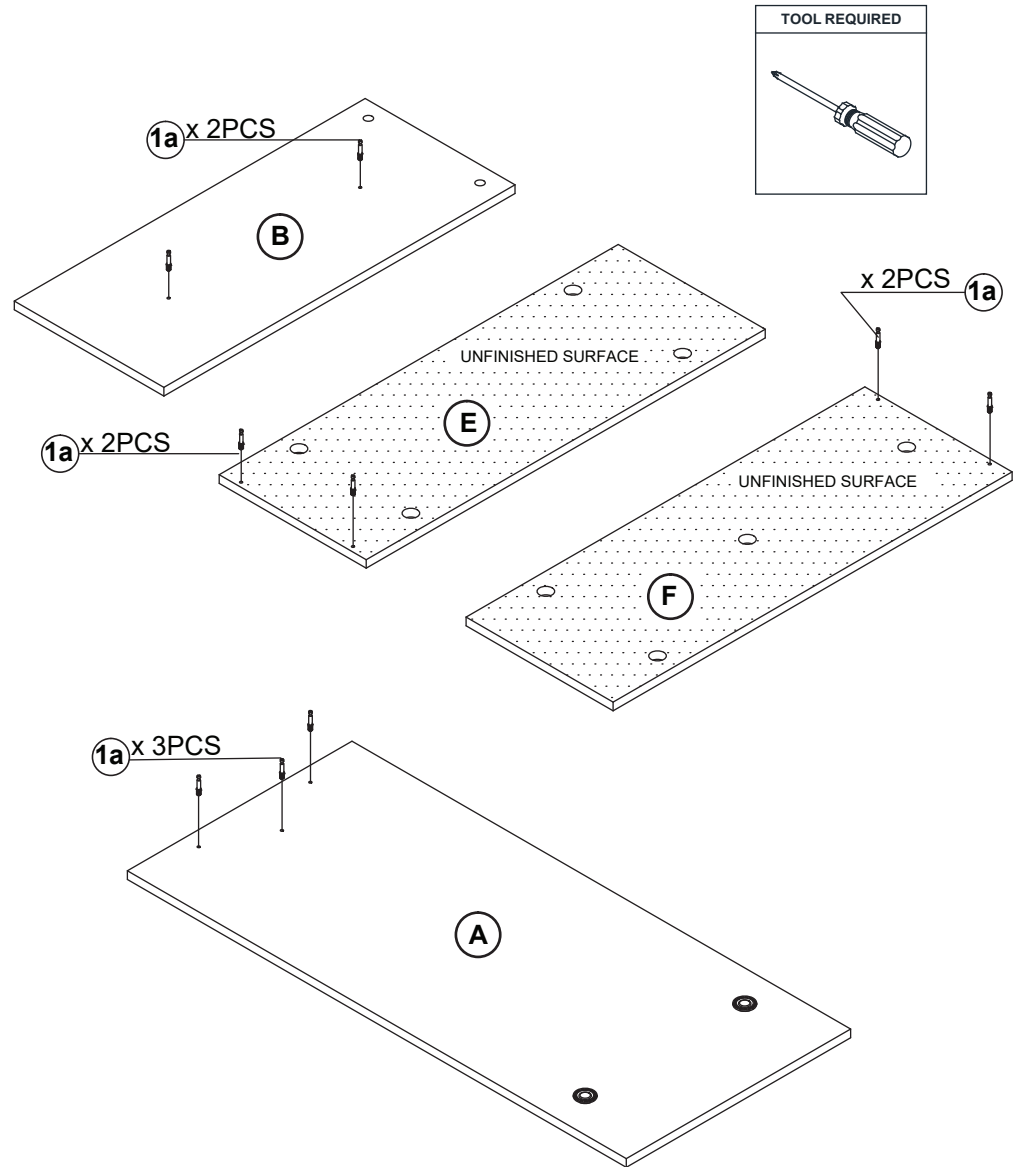
### STEP 6



### STEP 7

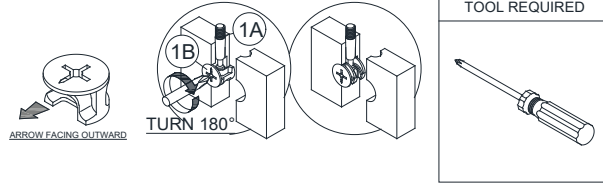


### STEP 1



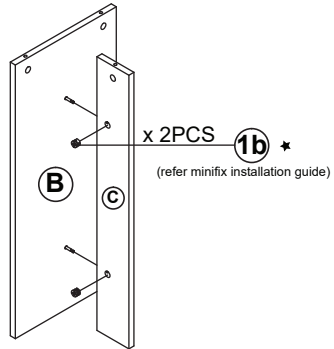
# MINIFIX INSTALLATION GUIDE

- \* STEP 2.1
- \* STEP 2.2
- \* STEP 4
- \* STEP 6

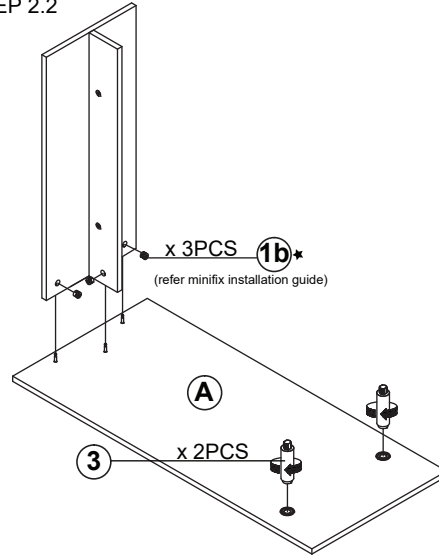


## STEP 2

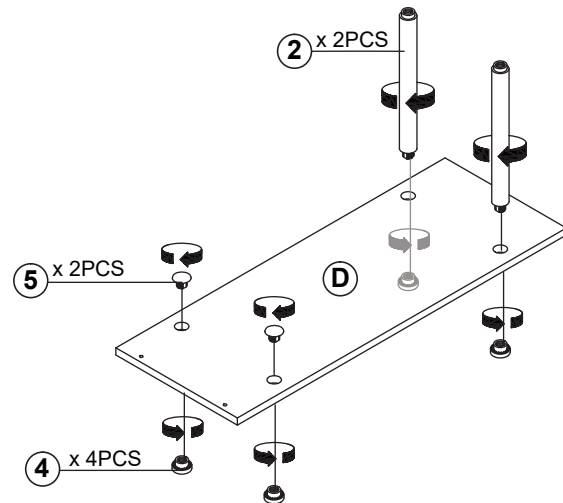
STEP 2.1



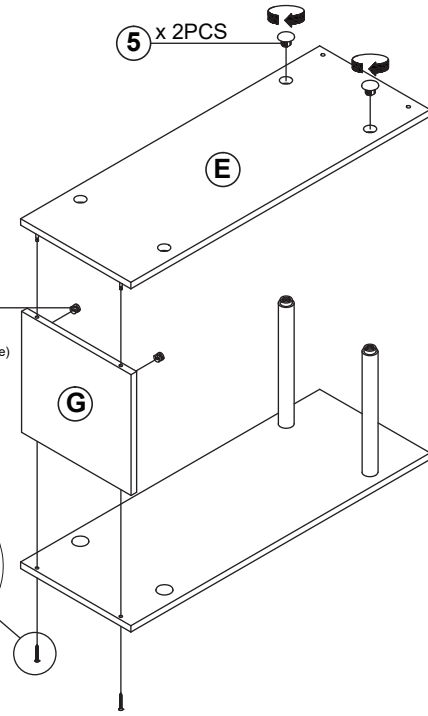
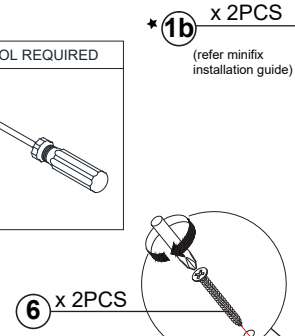
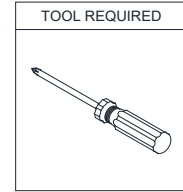
STEP 2.2



## STEP 3



## STEP 4



## STEP 5

