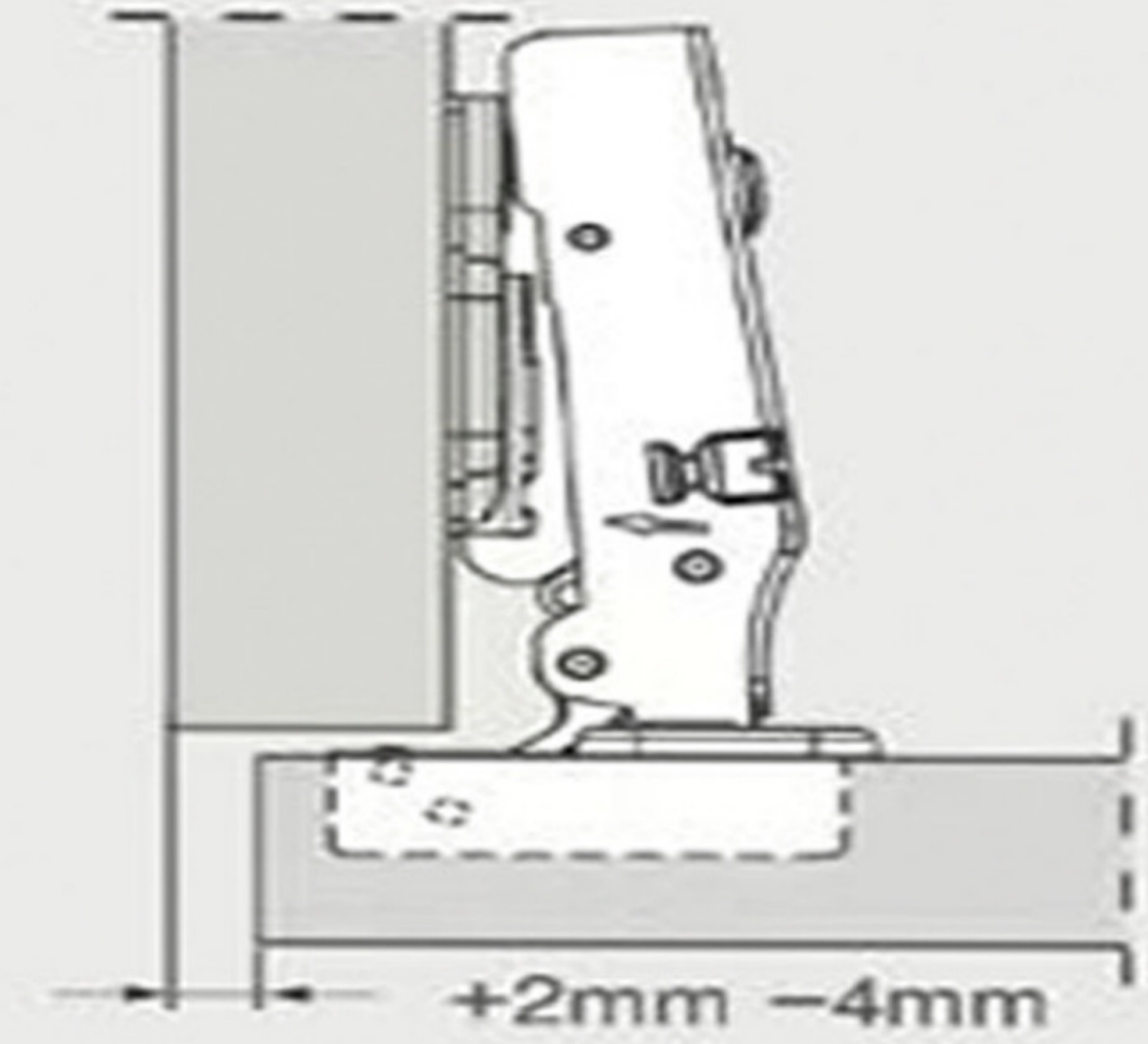
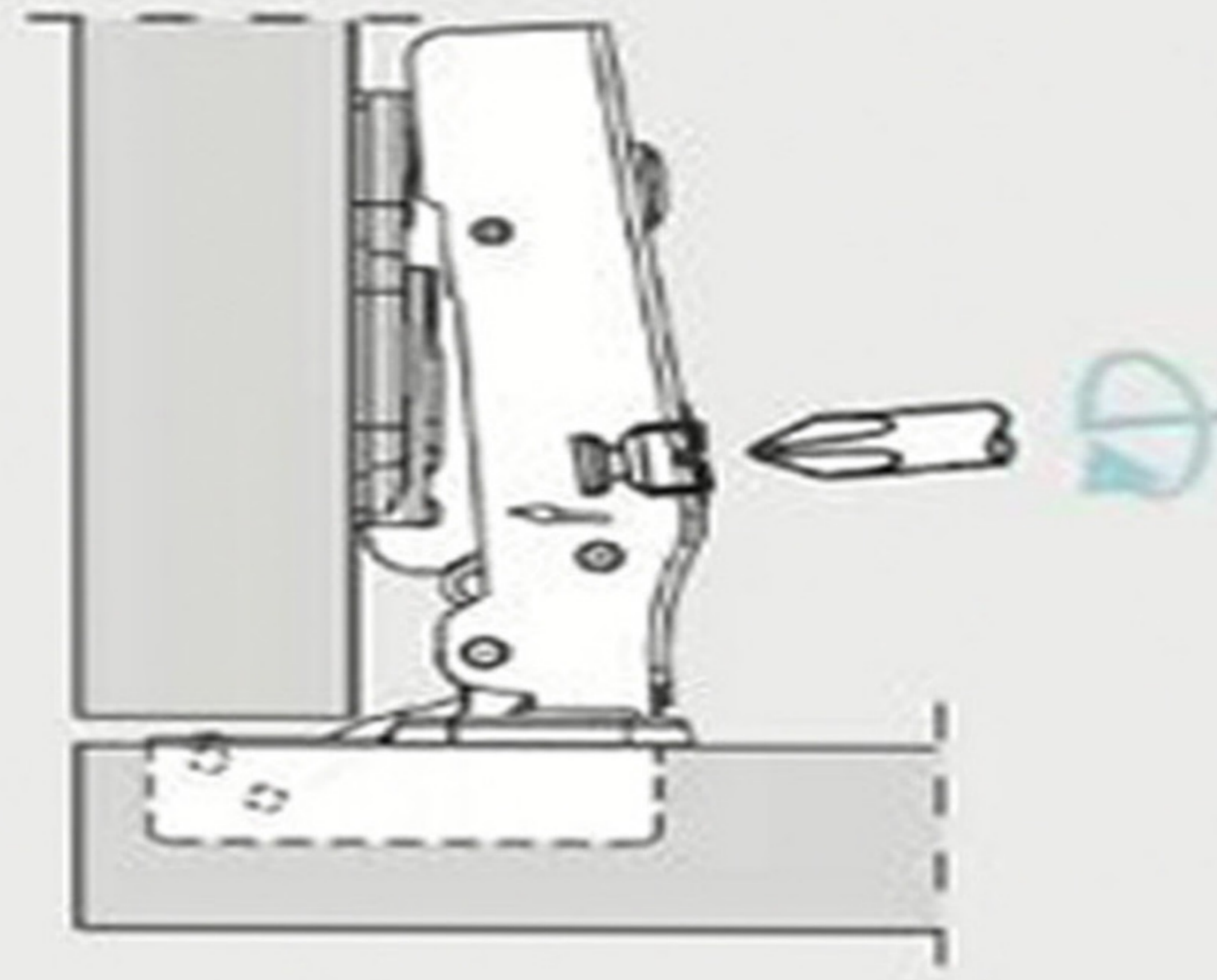
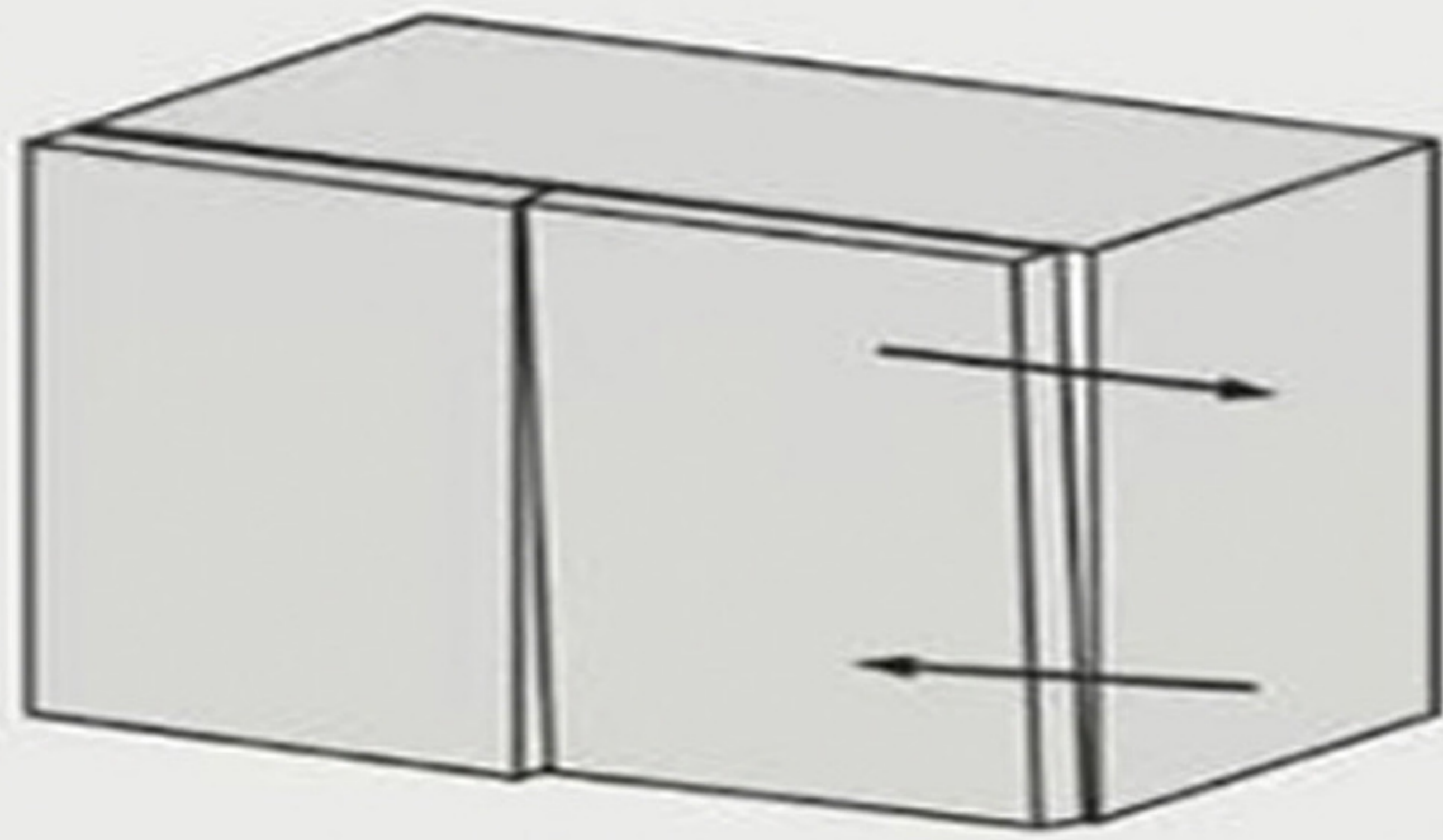


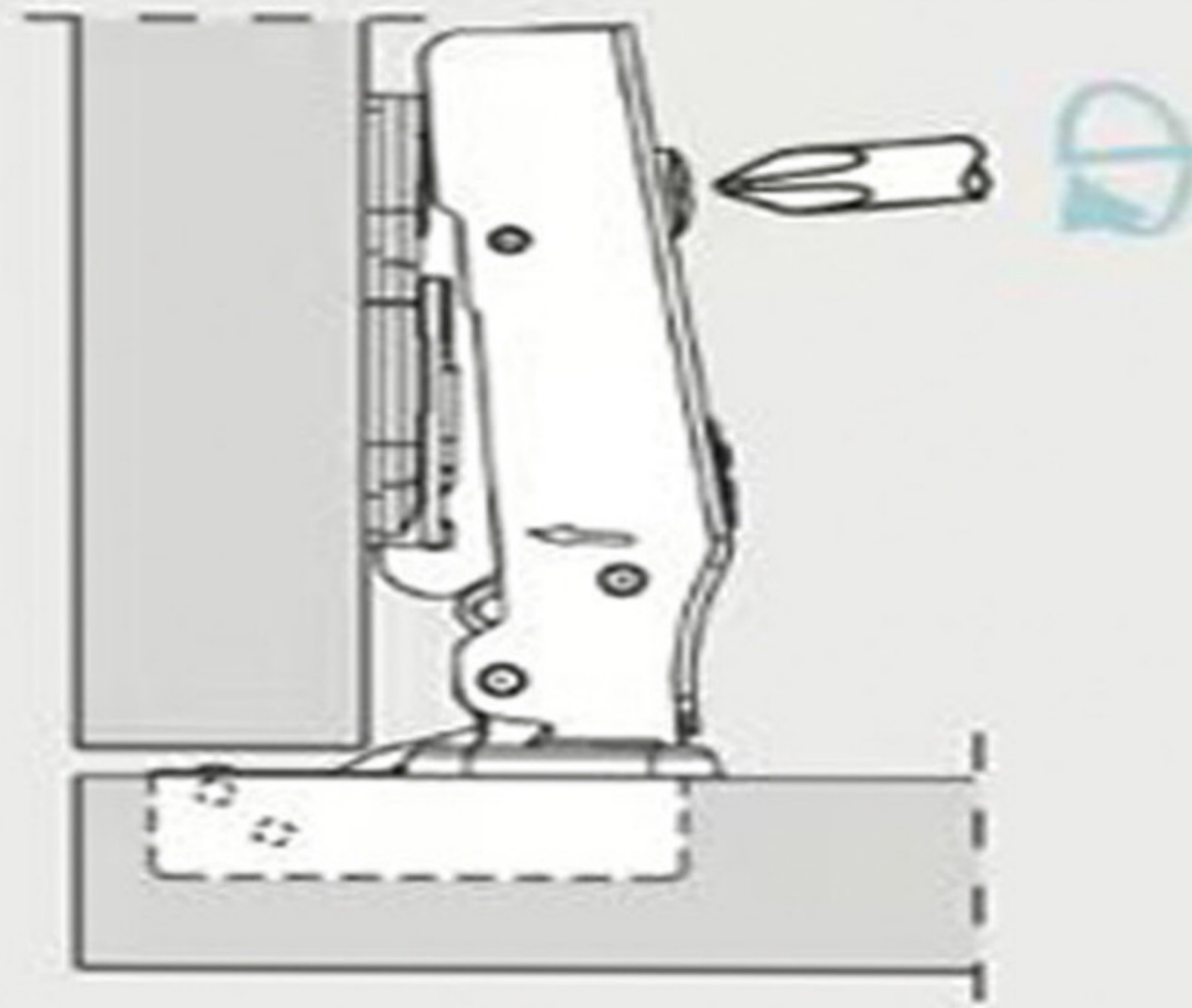
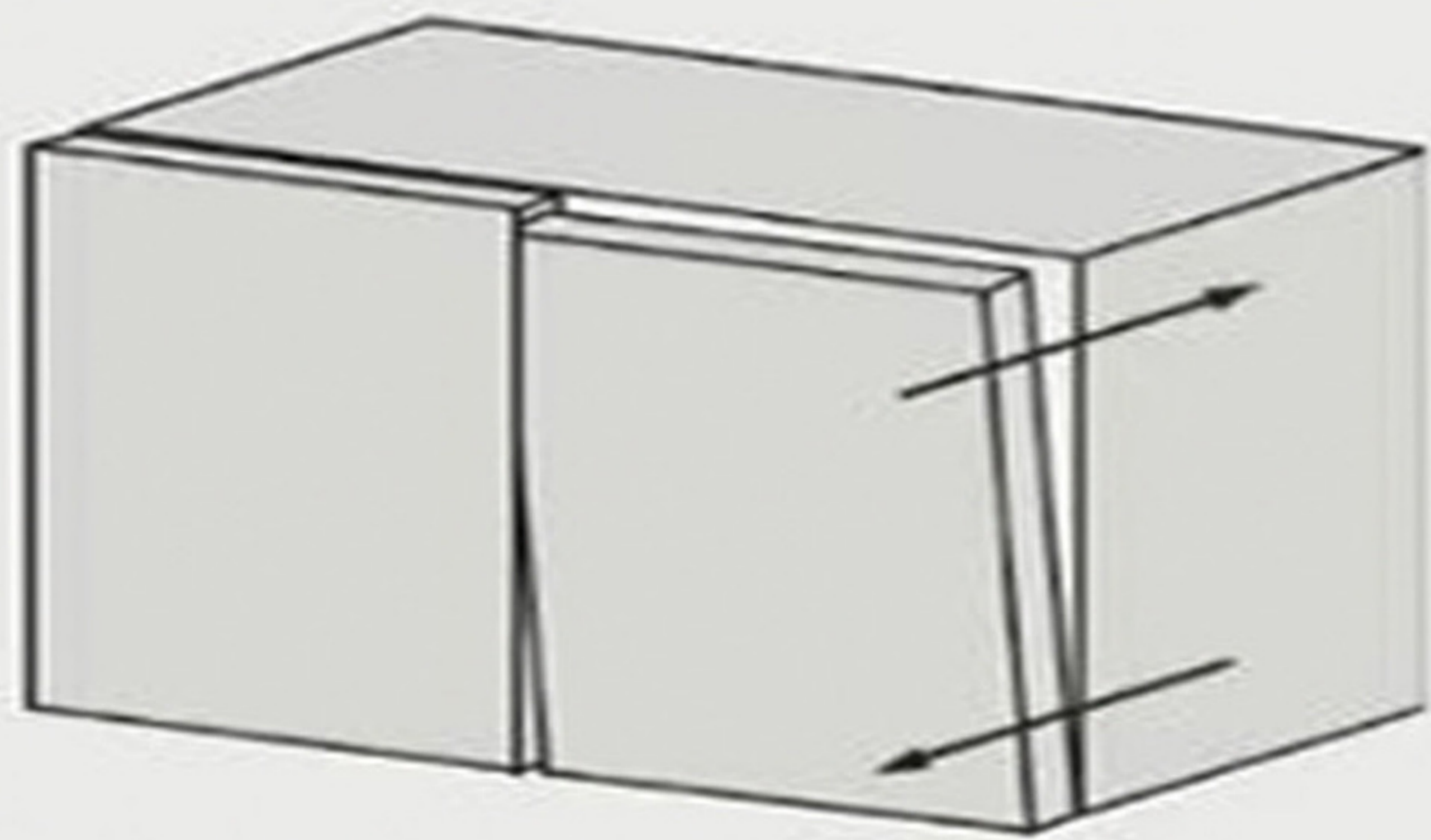


# Steps to adjust door hinges.

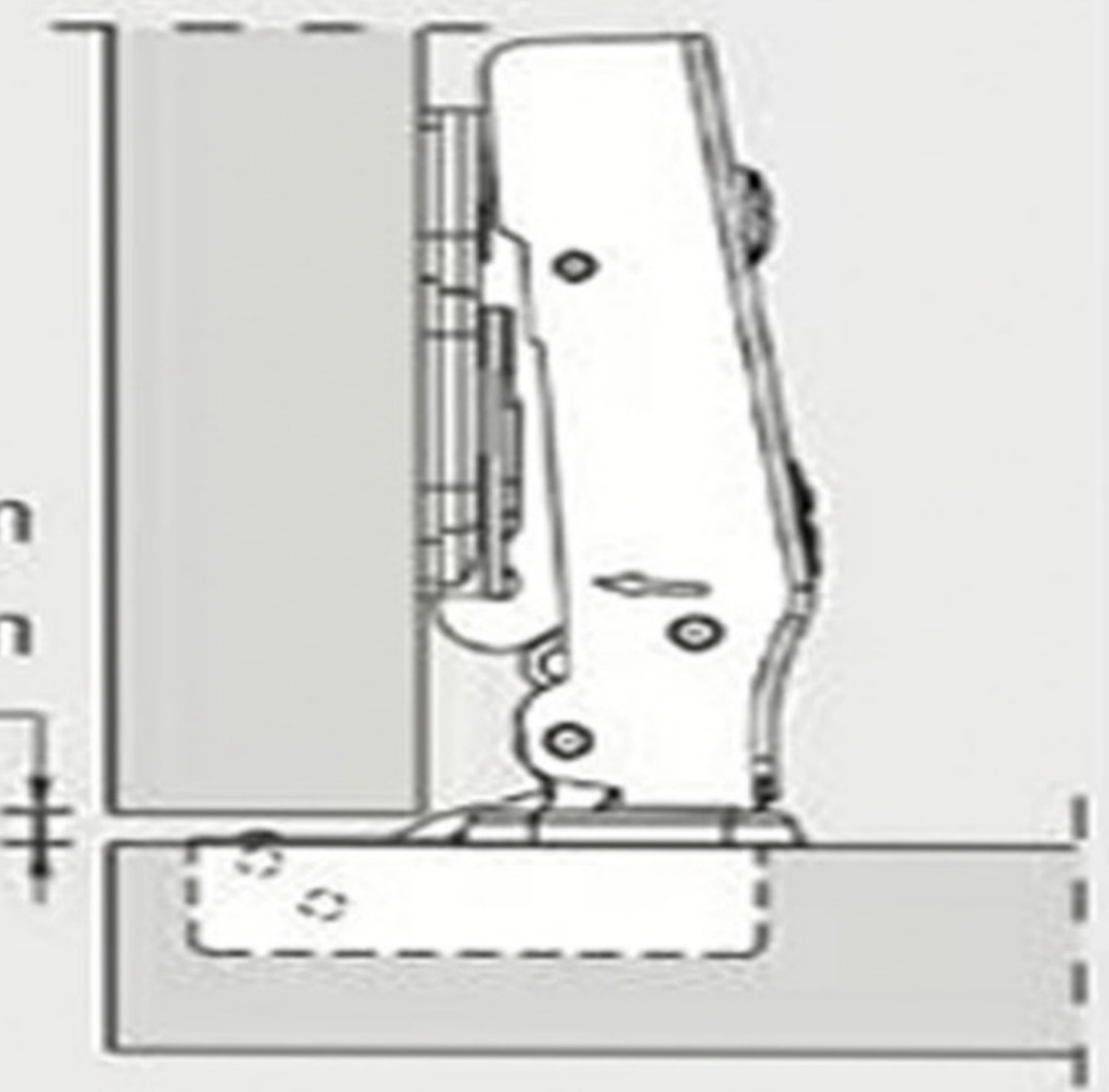


## PIVOT-PRO side adjustment

Side adjustment of the door is made by using the indicated screw

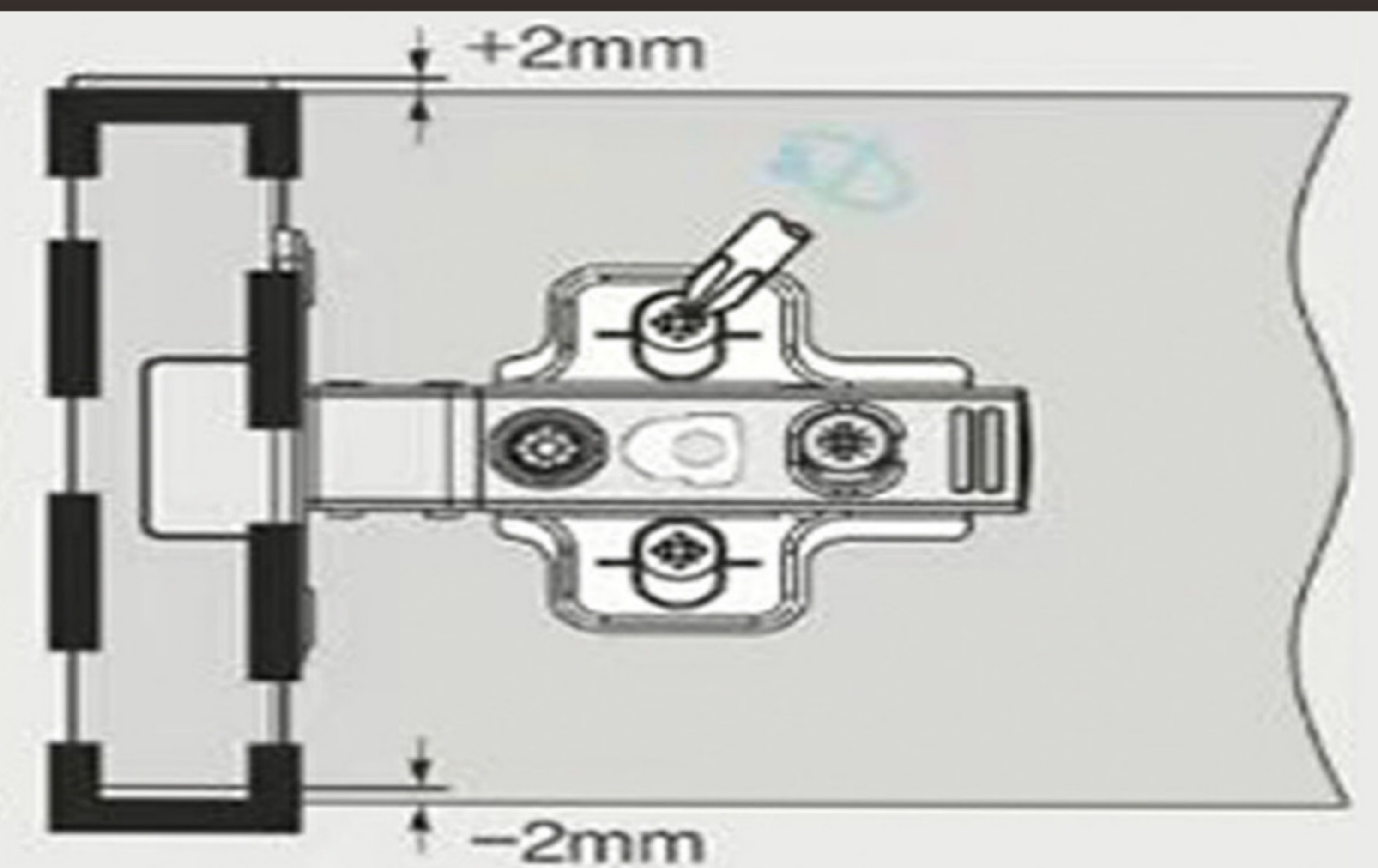
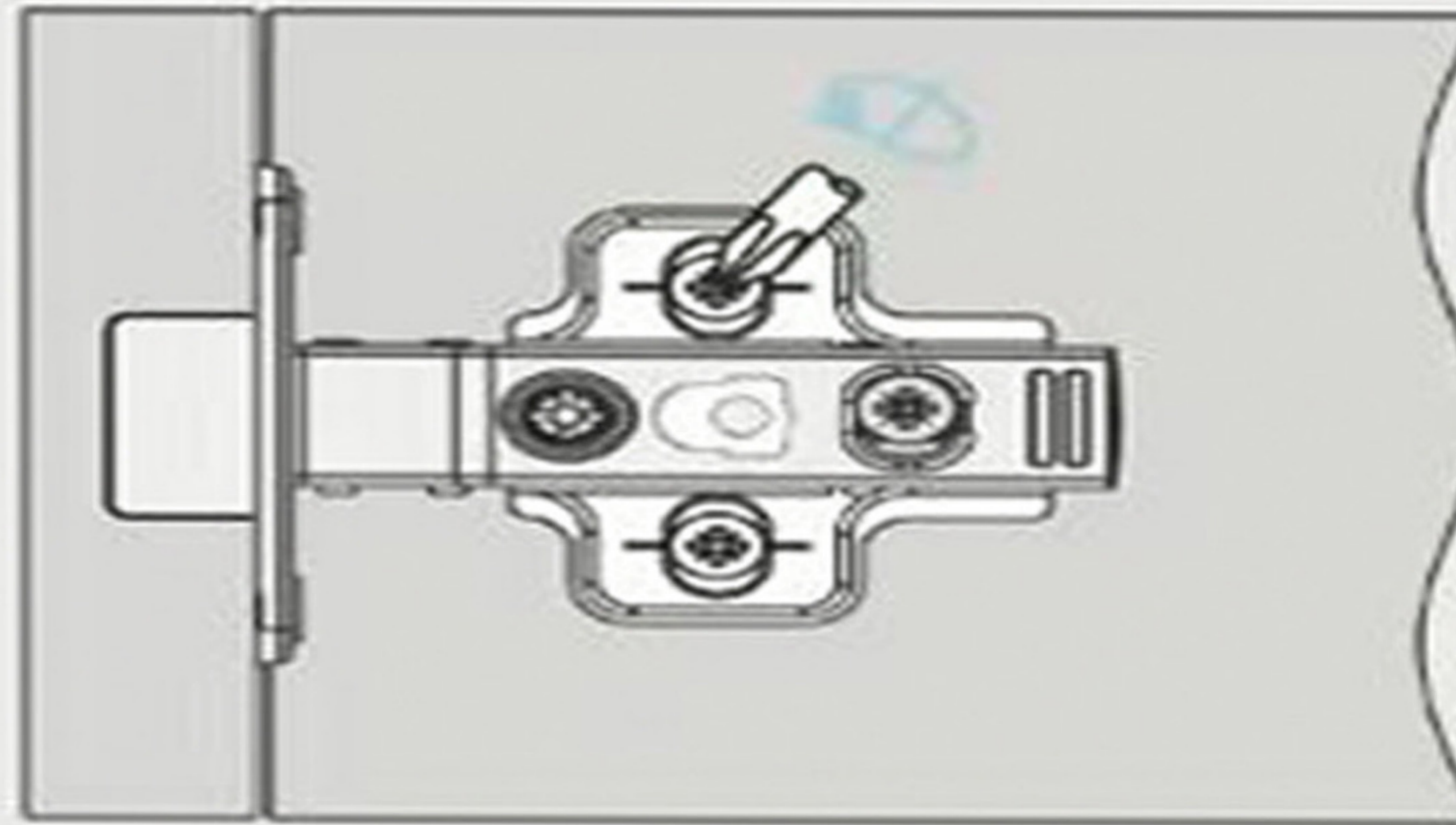
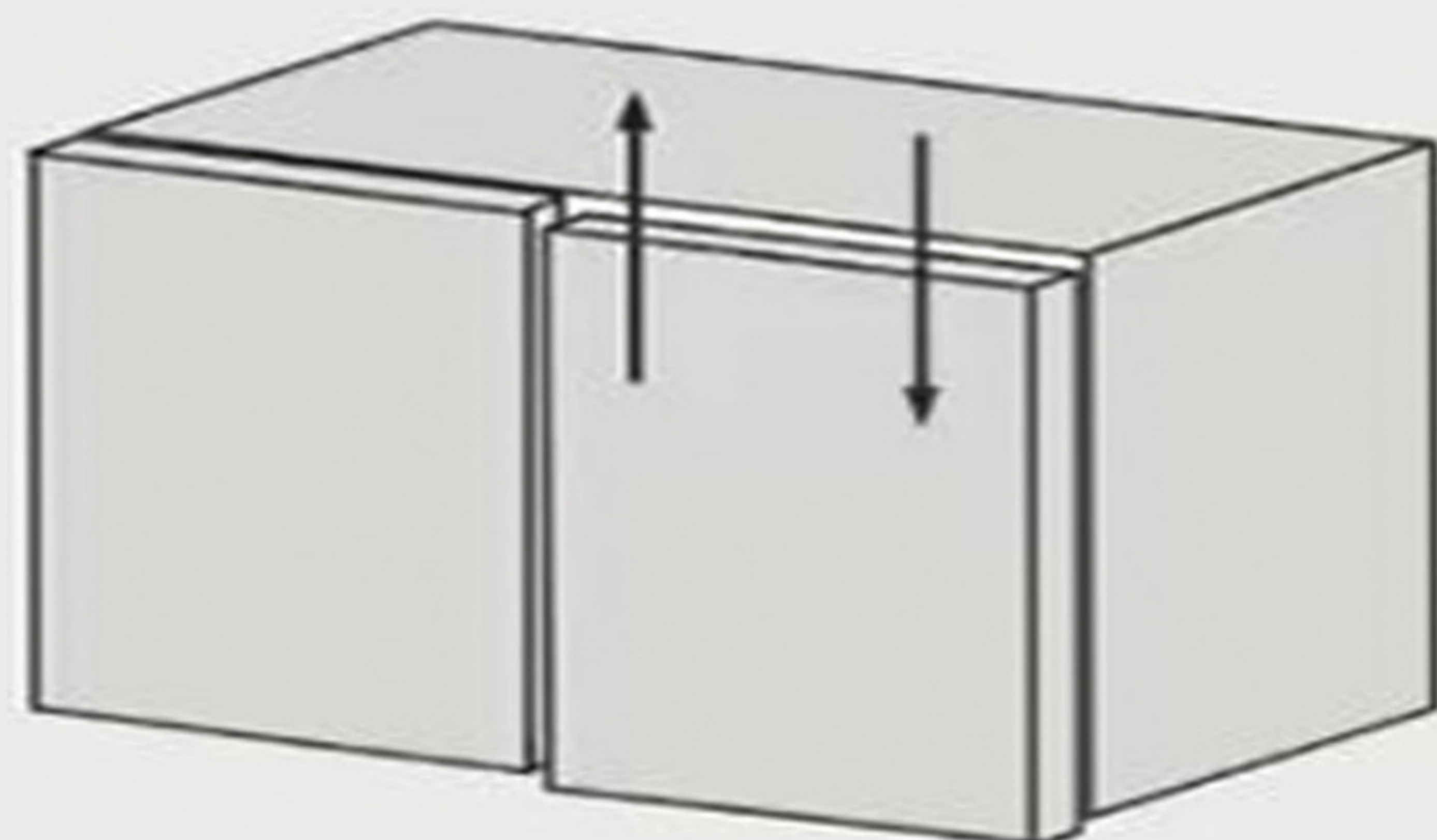


Snap-on  
cam-adjustable  
+3mm -1mm  
+3mm -2mm



## PIVOT-PRO Depth Adjustment

Depth adjustment is made without loosening any screw. The door can be moved in or out by rotating the cam adjuster on the hinge arm.



## PIVOT-PRO Height Adjustment

By loosening the two fixing screws to allow the mounting plate to slide up or down, the door can be adjusted vertically by 2mm. After retightening the screws, the depth adjustment is done.