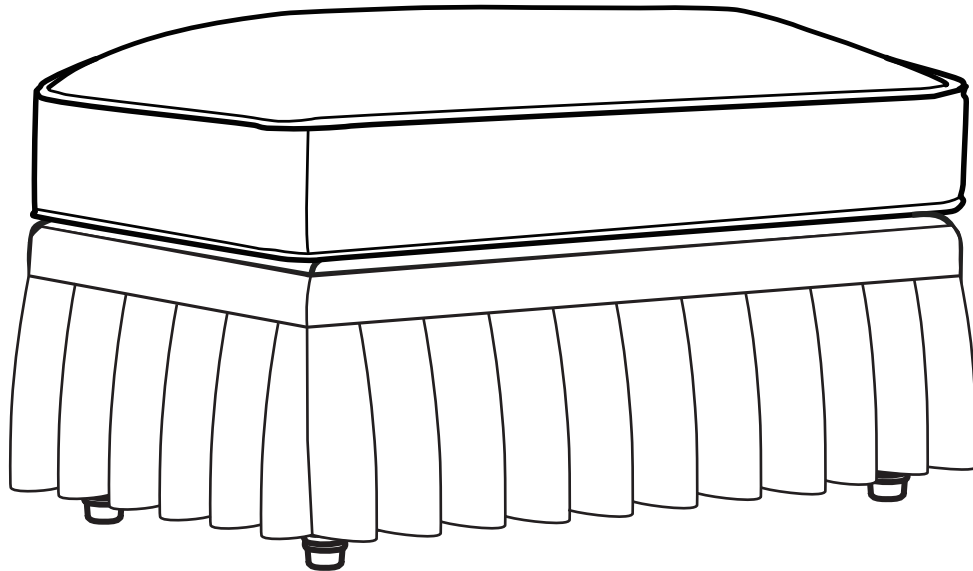


# ASSEMBLY INSTRUCTION

---

## Ottoman

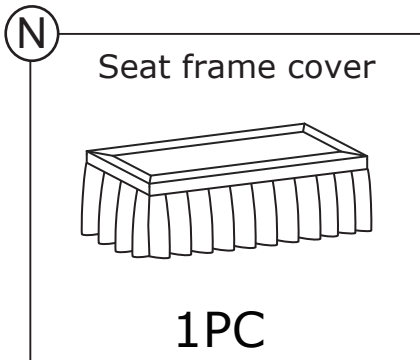
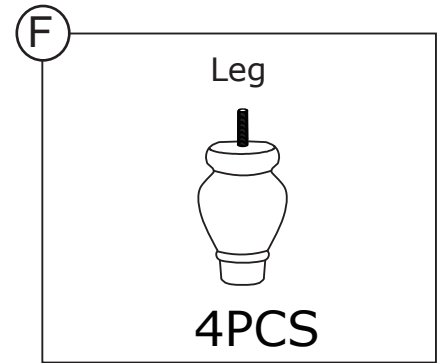
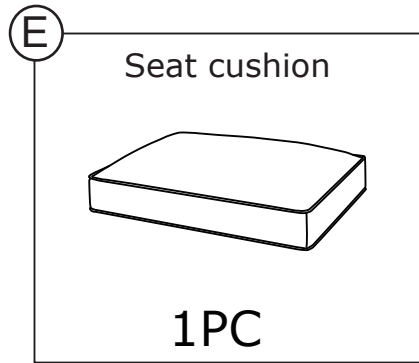
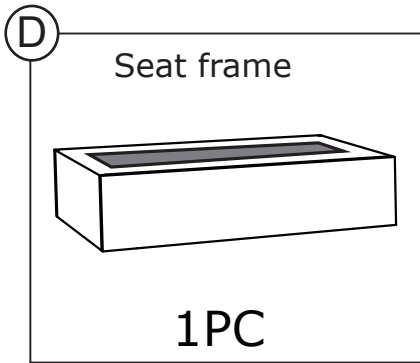


Thank you for choosing our product.

To ensure safe and satisfactory use of this product, please carefully read the below instructions beforehand.

1. Our cushions are vacuum packed for convenient shipping. Please allow 2-3 days for them to fully expand to their original shape and for any wrinkles to disappear.
2. In the event that a part is damaged or missing, no need to return the product, we will gladly help and ship your replacement parts free of charge.

## PART LIST & HARDWARE

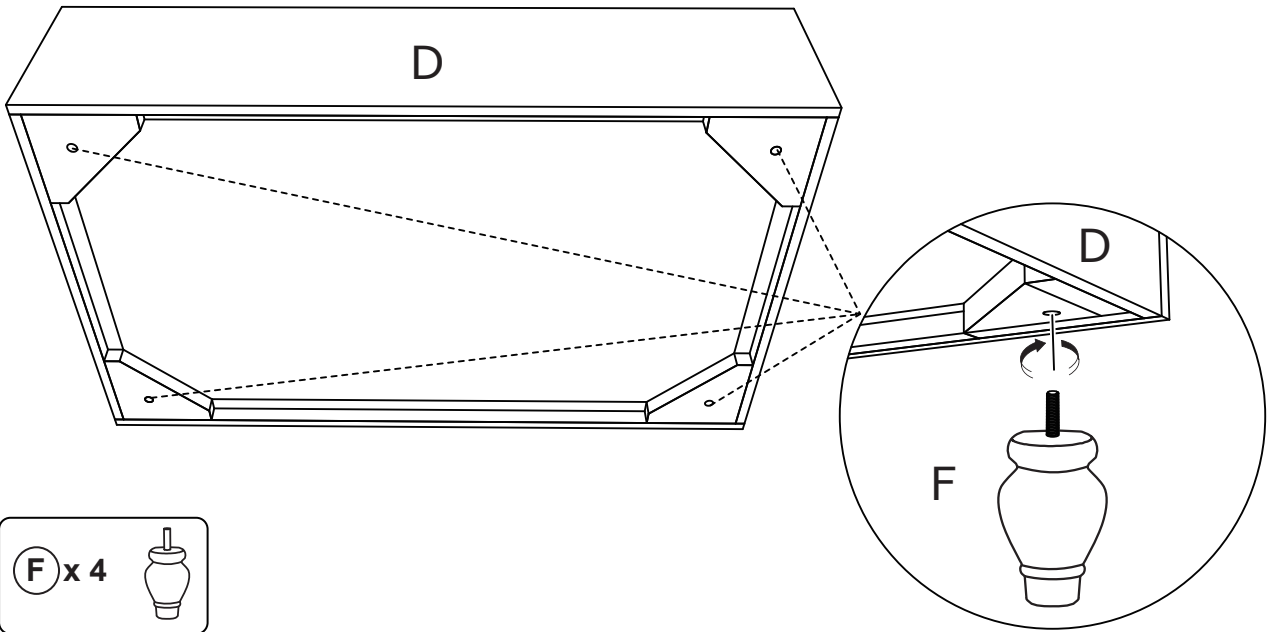


---

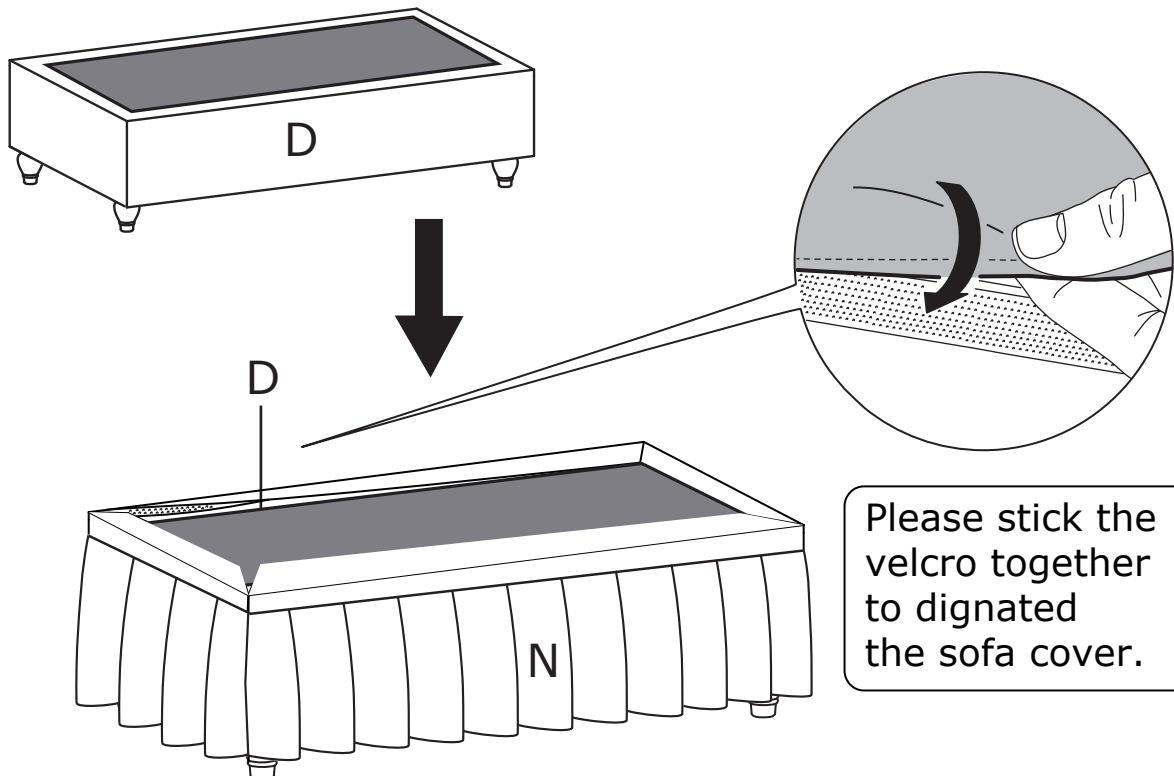
Note: Please retain all boxes until you are certain that your product isn't damaged and that you do not wish to return it. Disposal of boxes may prevent our ability to resolve your request.

## ASSEMBLY STEPS

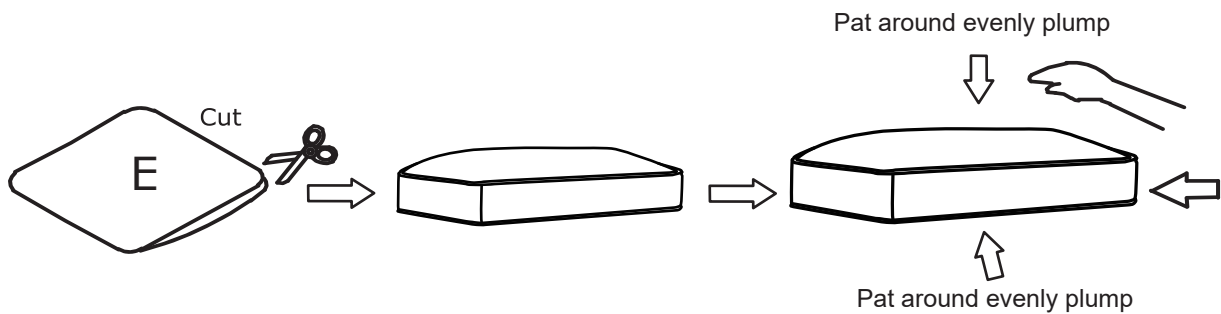
STEP 1 Assemble the Legs (F) to the Seat frame (D).



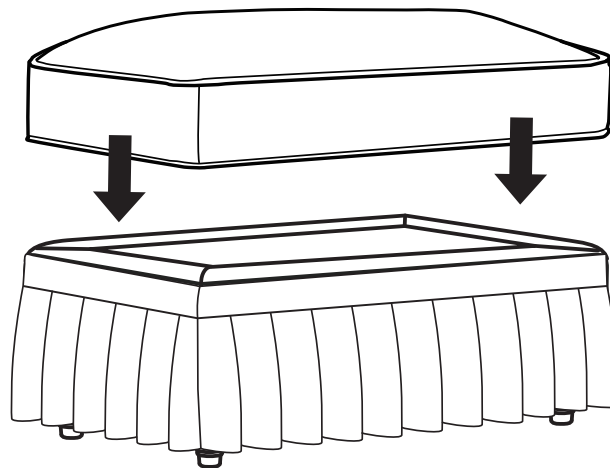
STEP 2 Here is a set of additional cover for you to choose, If you wish to use it, please put the Seat frame cover (N) to the Seat frame (D).



**STEP 3** The cushion is packed by vacuum compression. After cutting the package, it rebounds quickly within 4 hours. If the fabric has wrinkles, it will basically disappear after standing for 72 hours. If still has wrinkles after 72 hours, steam with iron is workable.



**STEP 4** Rip off the velcro then place Seat cushion (E) on the Seat frame (D).



**STEP 5** Well done!! You can enjoy your leisure time on the ottoman now.

