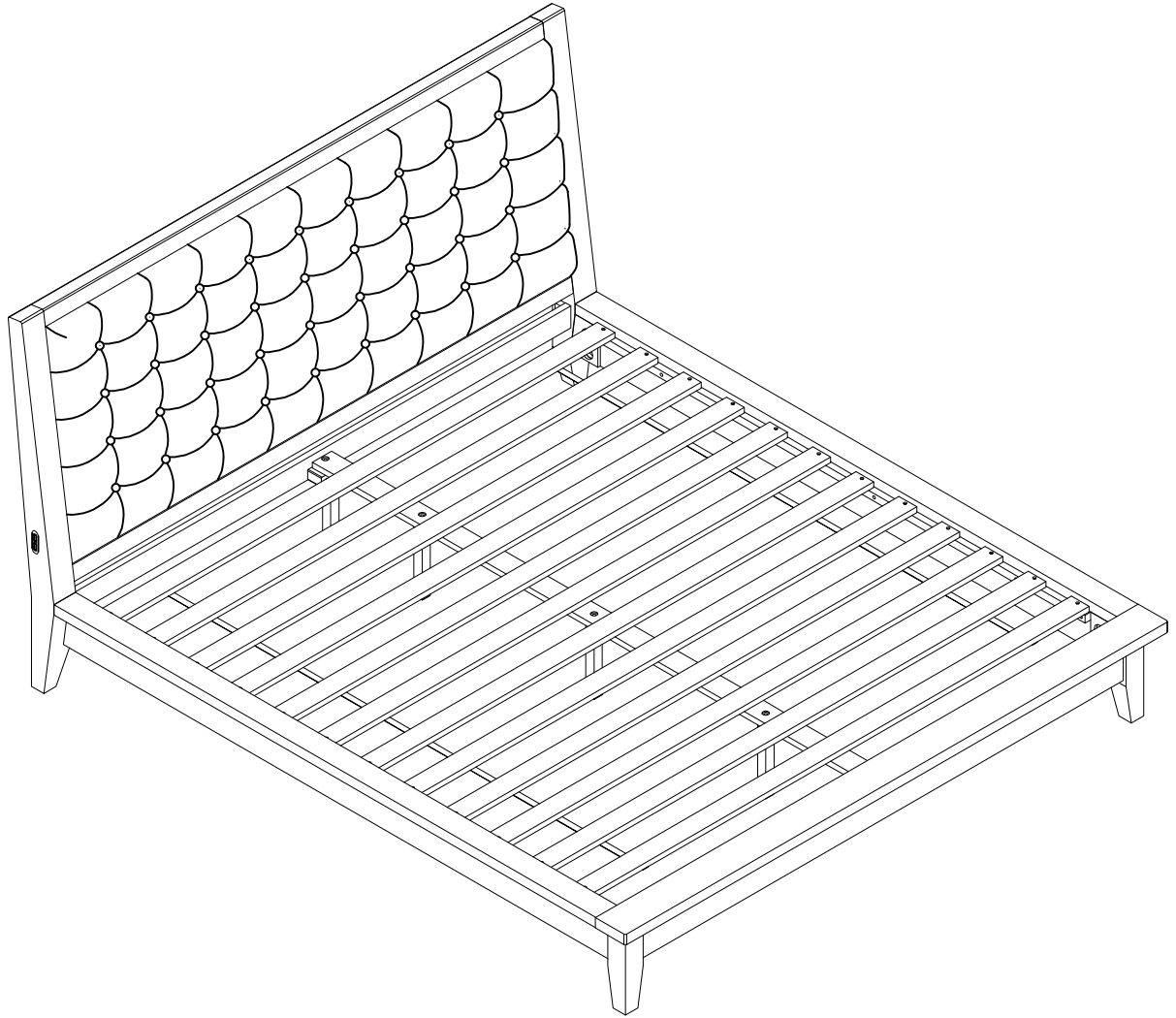


Owner Manual

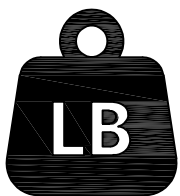


NOTE:

This brochure contains **IMPORTANT** safety info. Please read and keep for future reference.

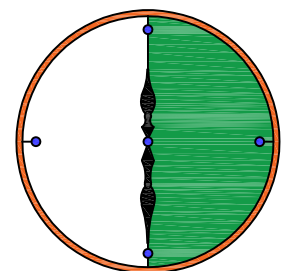
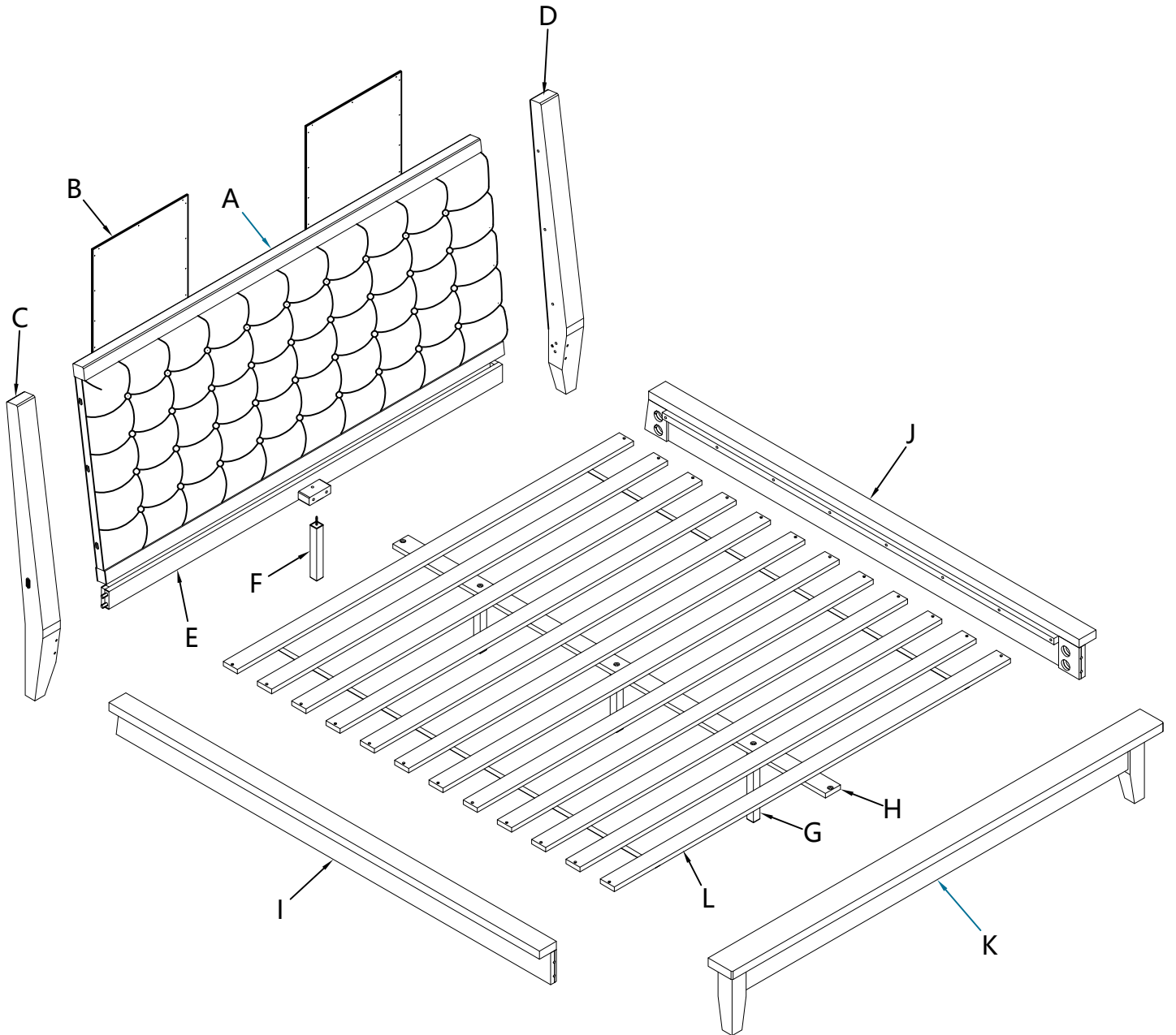
MAINTAINANCE AND WARNING

- .Keep furniture away from heat sources.
- .Do not clean furniture with harsh cleaner or polishes.Do not use detergents,solvents,abrasives,spray packs or leather cleaner. Use non-color mild soa with warm water to clean spills(Mix 1:10 soap to water).
- .Do not place furniture under direct sunlight,material will possibly fade over time.
- .Do not use on site dry cleaning machine.Children should not climb or jump on the furniture.
- .Do not write on furniture that is not protectedby a padded barrier.
- .Not for commercial use,only for residential use.



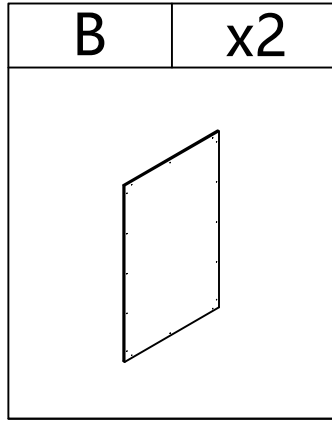
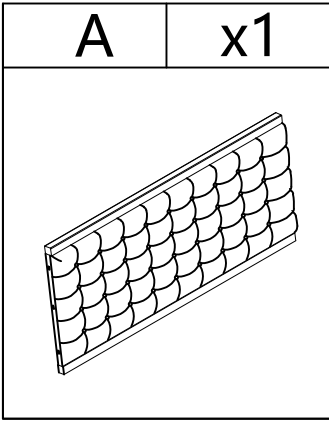
Weight Limitation
900 LBS

EXPLOSIVE VIEW

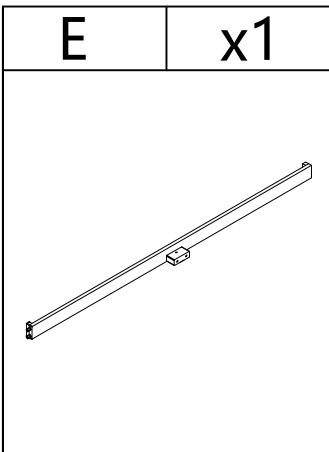
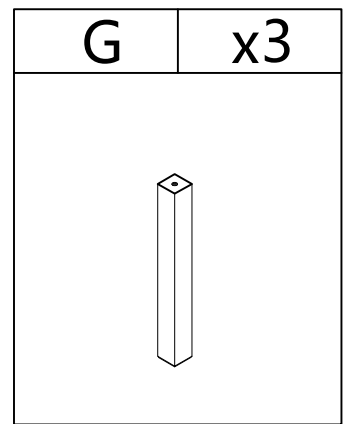
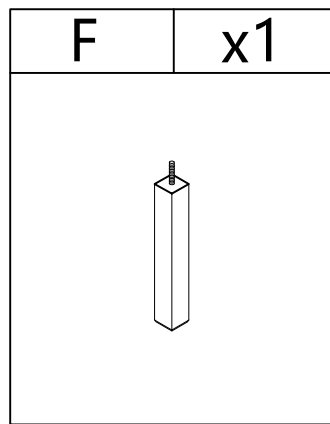
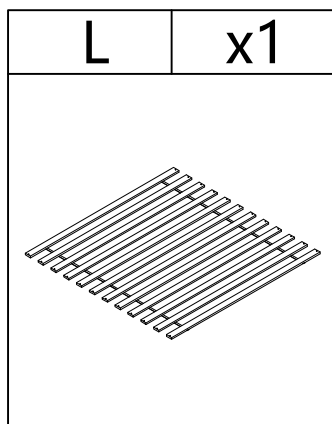
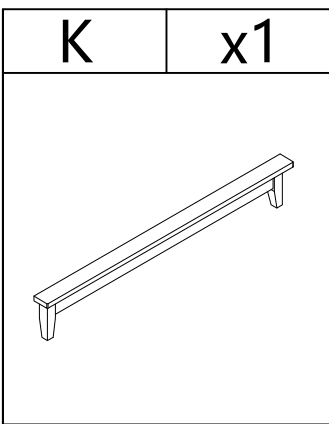


Around 30 min

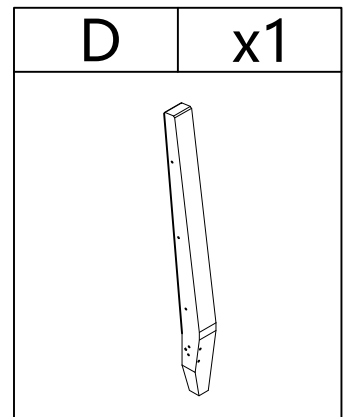
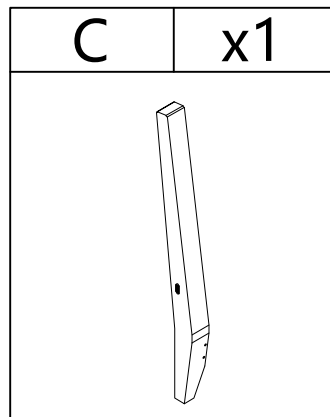
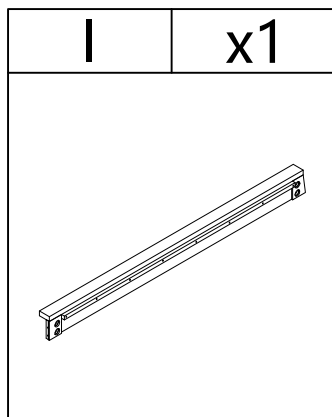
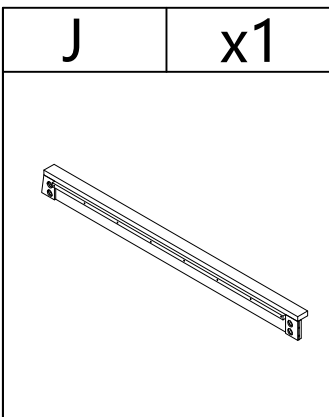
A PARTS LIST



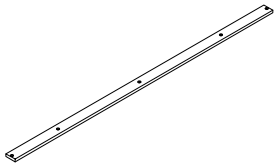
B PARTS LIST



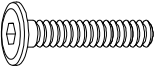
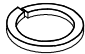

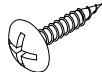
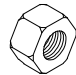
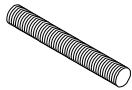

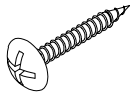
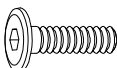


C PARTS LIST




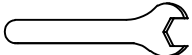
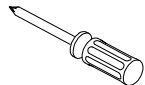
C PARTS LIST

H	x1
	

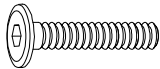


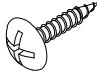
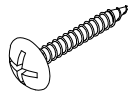
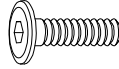


HARDWARE LIST (A)

#1	x8	#2	x16	#3	x8	#4	x32	#5	x8	#6	x8
											
φ5/16x2"		φ5/16		φ5/16		φ3.5x5/8"		φ5/16x1/2"		φ5/16 x3 1/2"	
#7	x8	#8	x24	#9	x5	#10	x5	#11	x5		
											
φ5/16		#8x1 1/6"		φ1/4x 1 3/8"		φ1/4		φ1/4			

TOOL LIST (A)

#12	x1	#13	x1	#14	x1
					
M4		12		95	

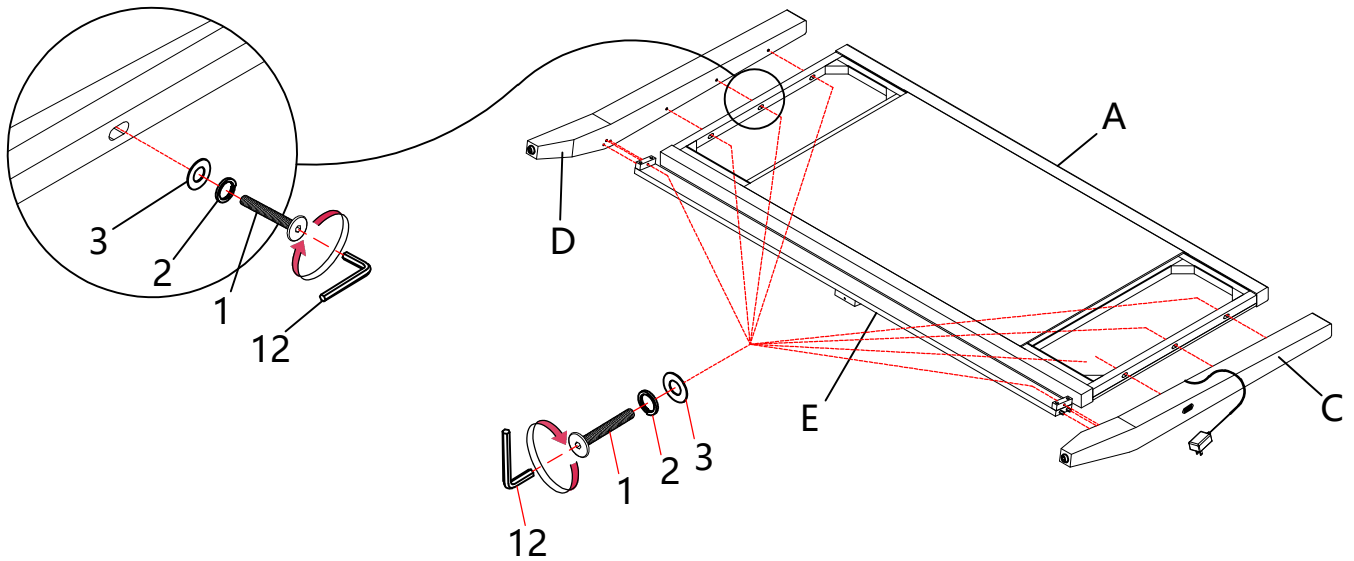
HARDWARE SPARE LIST (A)

#1	x1	#2	x1	#3	x1	#4	x3	#8	x1	#9	x1
											
φ5/16x2"		φ5/16		φ5/16		φ3.5x5/8"		#8x1 1/6"		φ1/4x 1 3/8"	
#10	x1	#11	x1								
											
φ1/4		φ1/4									

ASSEMBLY INSTRUCTIONS

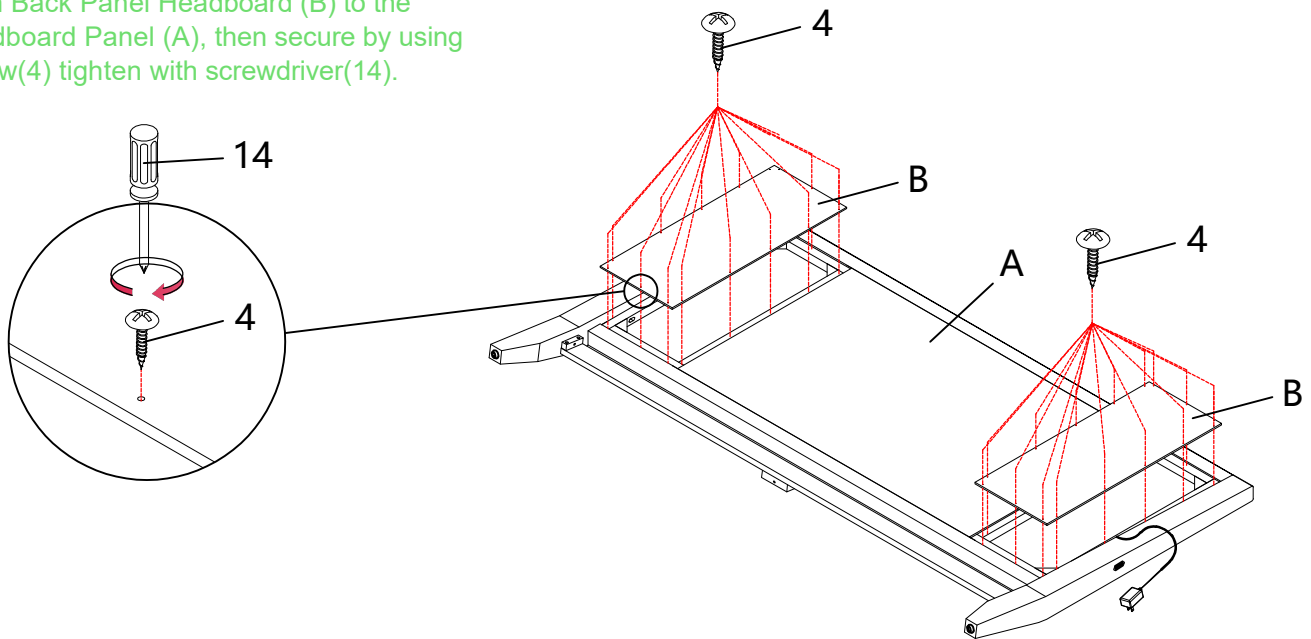
STEP-1

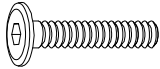
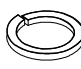
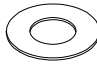
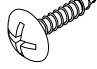
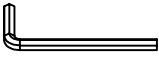
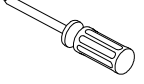
Align Headboard legs (C,D) to the Headboard Panel (A) and Stretcher (E), then secure by using Bolts (1) with Washers (2,3), tighten with allen key(12)



STEP-2

Align Back Panel Headboard (B) to the Headboard Panel (A), then secure by using Screw(4) tighten with screwdriver(14).

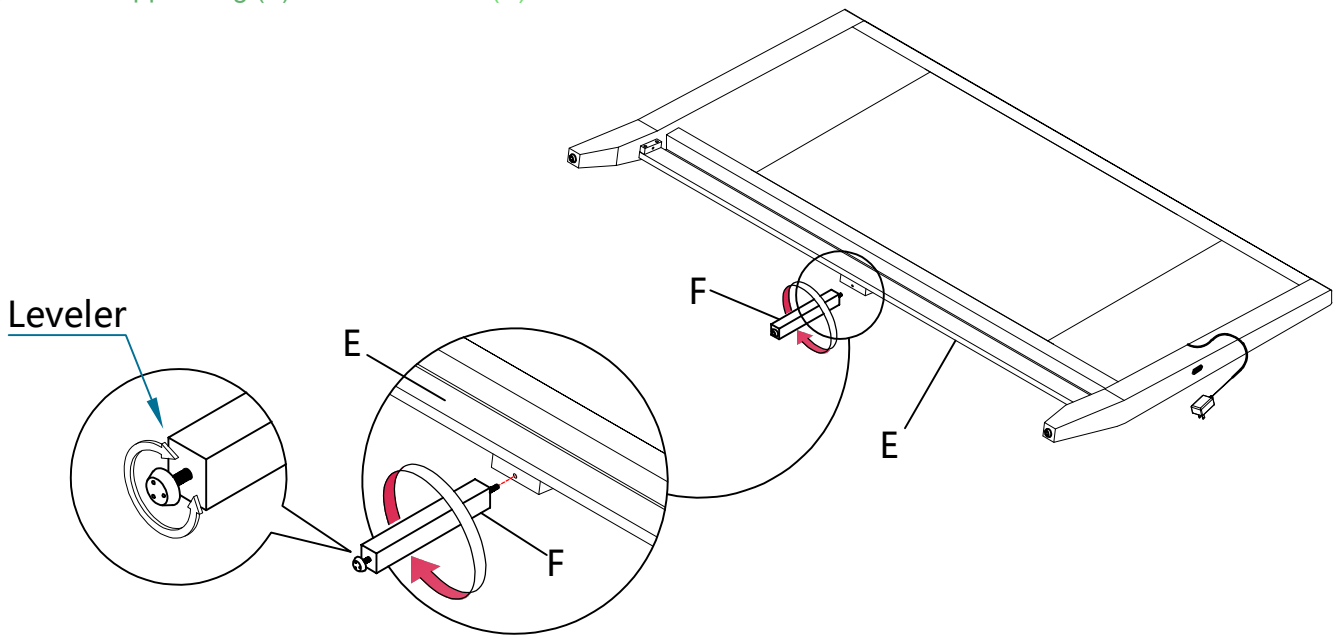


#1	x8	#2	x8	#3	x8	#4	x32	#12	x1	#14	x1
											
φ5/16x2"		φ5/16		φ5/16		φ3.5x5/8"		M4		95	

ASSEMBLY INSTRUCTIONS

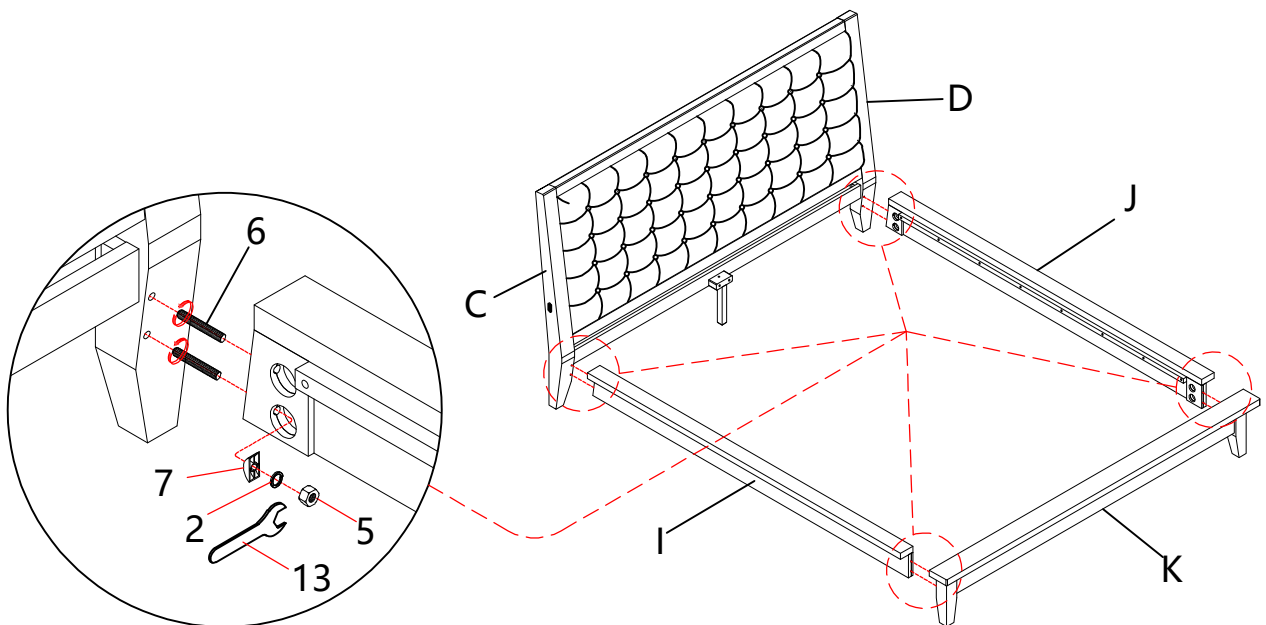
STEP-3

Align Short Support Leg (F) to the Stretcher (E) .



STEP-4

Align left Side panel (I) right Side panel (J) to the Headboard Leg(C,D) and Footboard(K), then secure by using Threaded pins (6) with Washers (2) Half moon (7) and Hex nut (5), tighten with wrench (13).

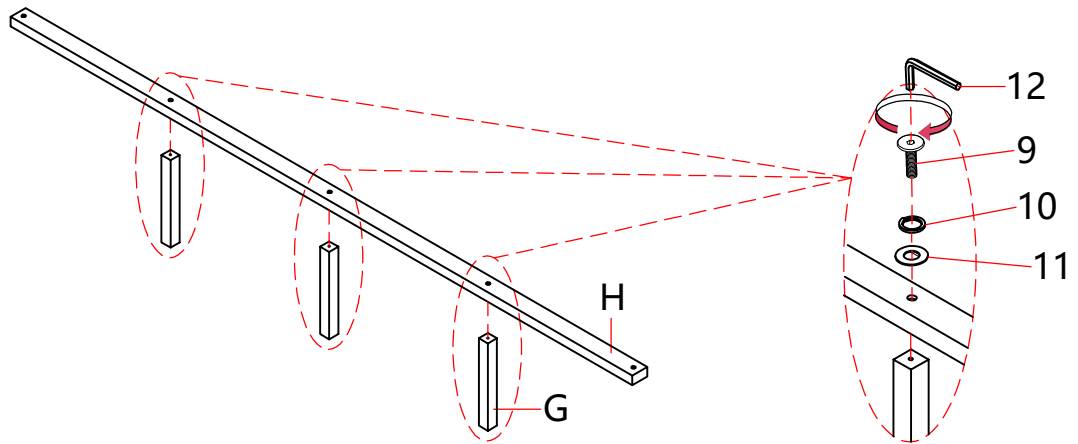


#5	x8	#2	x8	#6	x8	#7	x8	#13	x1
φ5/16x1/2"		φ5/16		φ5/16 x3 1/2"		φ5/16		12	

ASSEMBLY INSTRUCTIONS

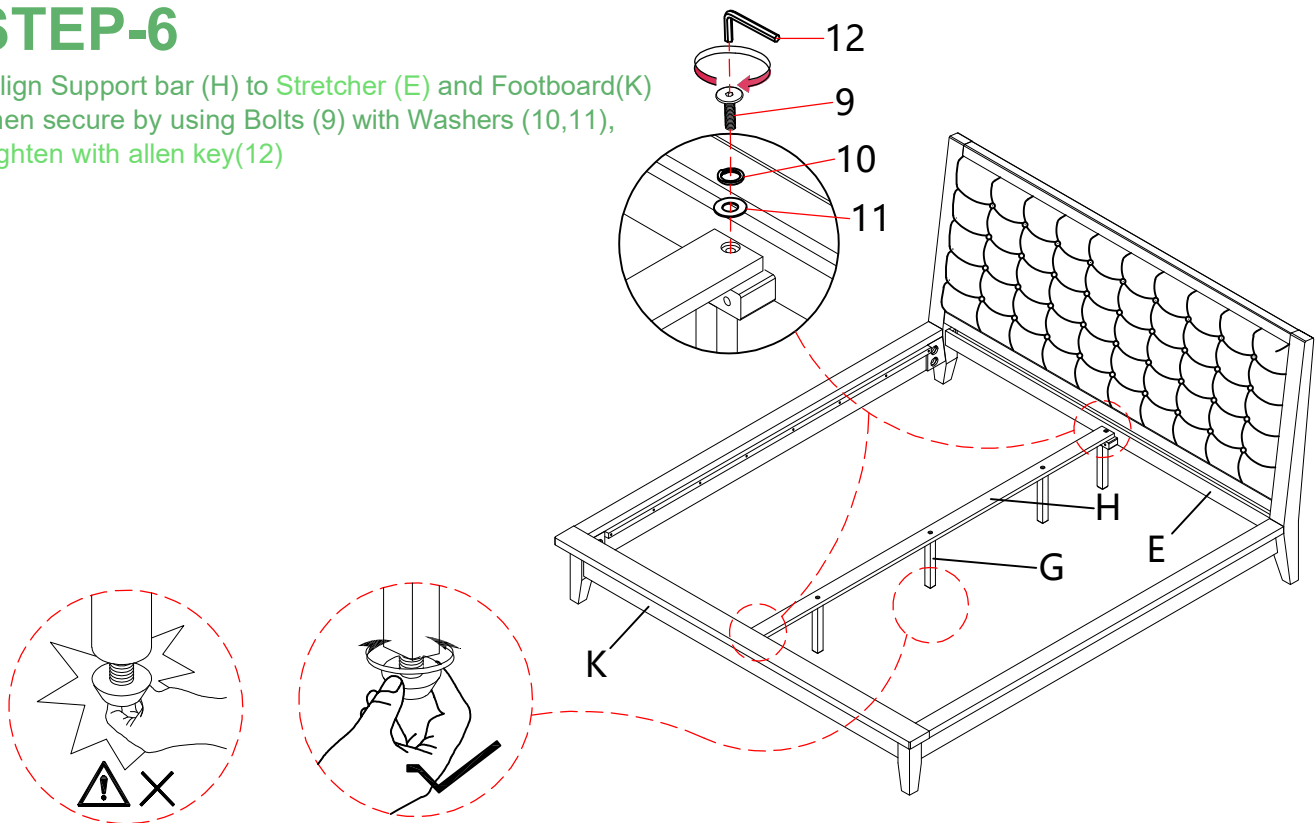
STEP-5

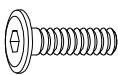



Align Long Support Leg (G) to the Support bar (H), then secure by using Bolts (9) with Washers (10,11), tighten with allen key(12)



STEP-6

Align Support bar (H) to Stretcher (E) and Footboard(K) then secure by using Bolts (9) with Washers (10,11), tighten with allen key(12)

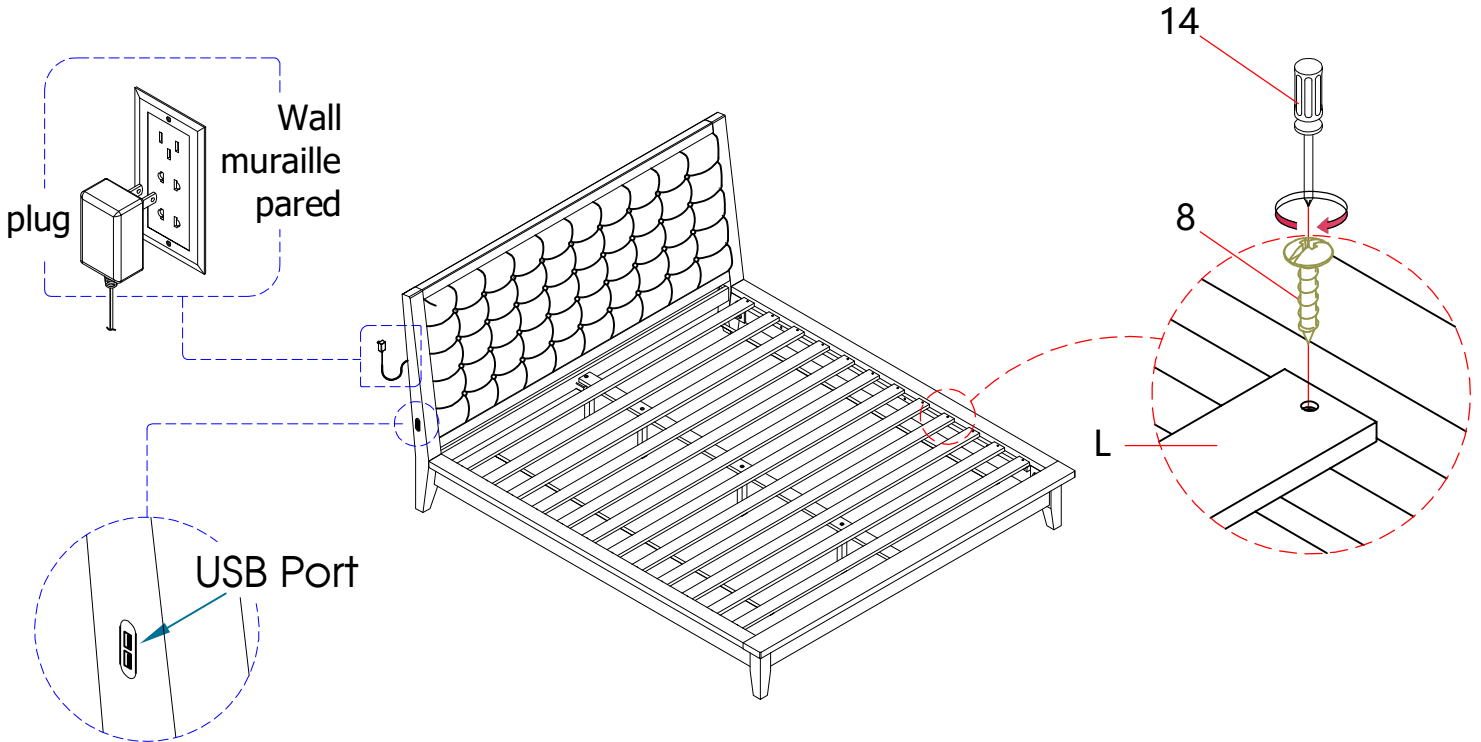


#9	x5	#10	x5	#11	x5	#12	x1
							
φ1/4x 1 3/8"		φ1/4		φ1/4		M4	

ASSEMBLY INSTRUCTIONS

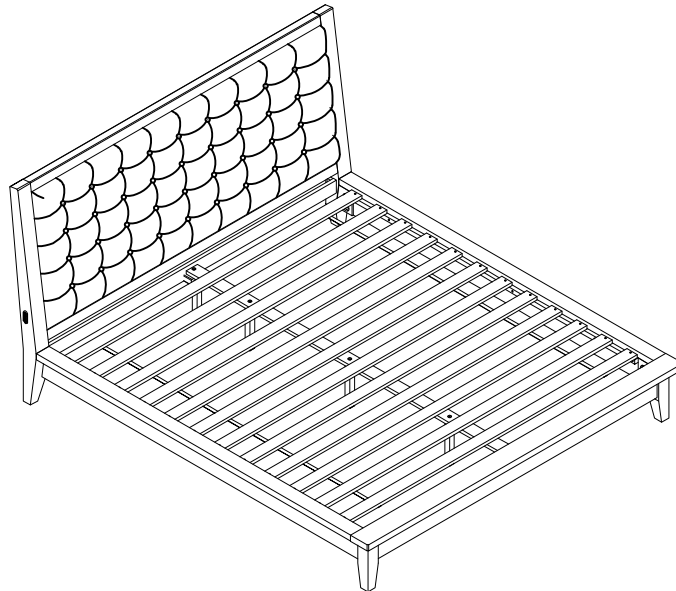
STEP-7

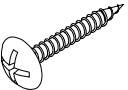
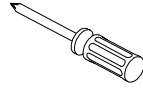
Align Slat Roll (L) to left Side panel (I) right Side panel (J), then secure by using Screw (8) tighten with screwdriver(14).



STEP-8

Complete.



#9	x24	#14	x1
			
#8x1 1/6"		95	

WARRANTY

1. We strive to offer high-quality products, and we also try our best to satisfy each and every customer that orders from us with product or service as needed.
2. We provide 30 days warranty starting from the time you receive the item. Each customer must provide a record of their order such as the order number, or item receipt for any items that are out of the warranty period you may also still receive.
3. Replacement parts by purchasing them with our company if they are available.