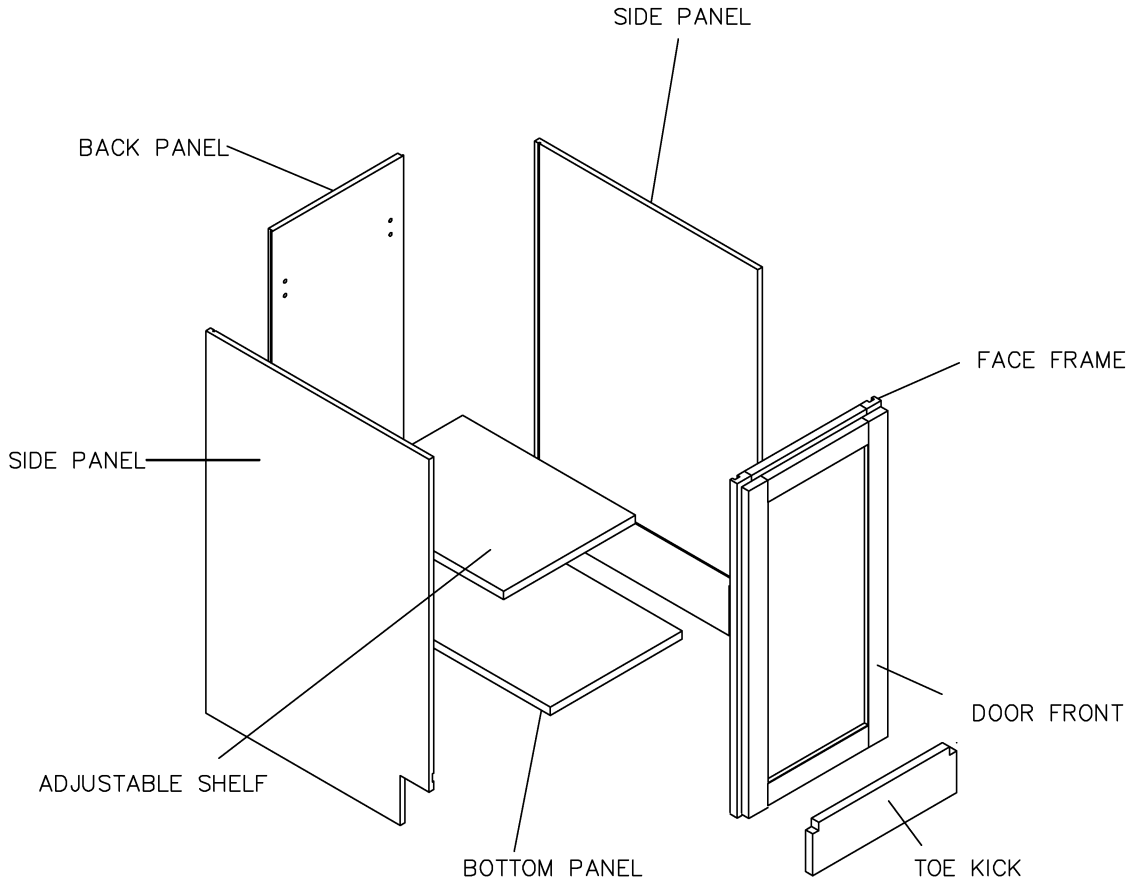
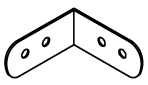
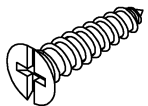

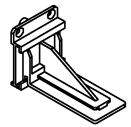
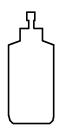

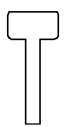

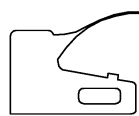


ASSEMBLY INSTRUCTIONS - FULL DOOR BASE CABINET



METAL BRACKETS 	SCREWS 	SHELF CLIPS 	GLIDE SUPPORTS 
---	---	---	---

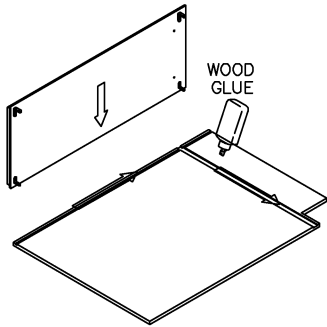
TOOLS

 WOOD GLUE	 SCREW DRIVER	 RUBBER MALLET	 NAIL GUN	 STAPLER
--	---	--	---	---

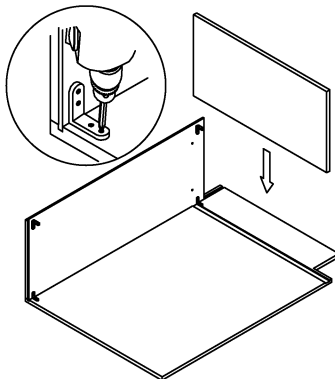
This instruction applies to the following items:
FDB18-FDB36

STEP 1

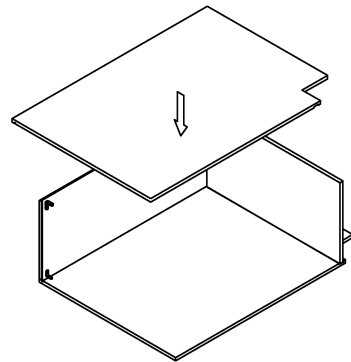
Glue each assembly slot



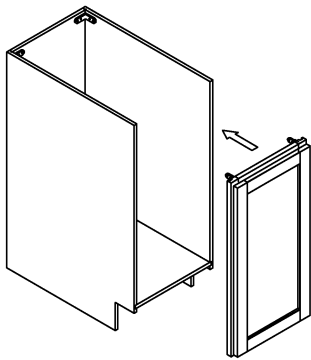
STEP 2



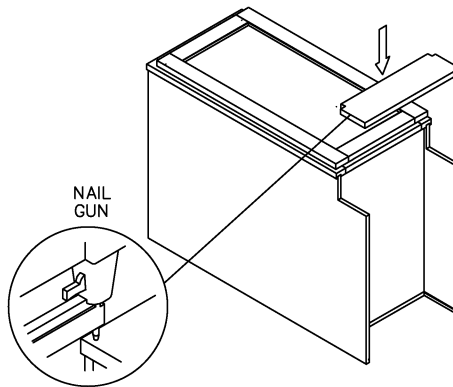
STEP 3



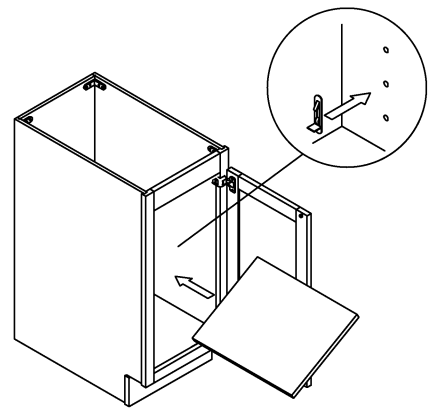
STEP 4



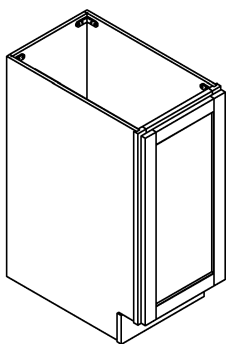
STEP 5



STEP 6



STEP 7



STEP 8

