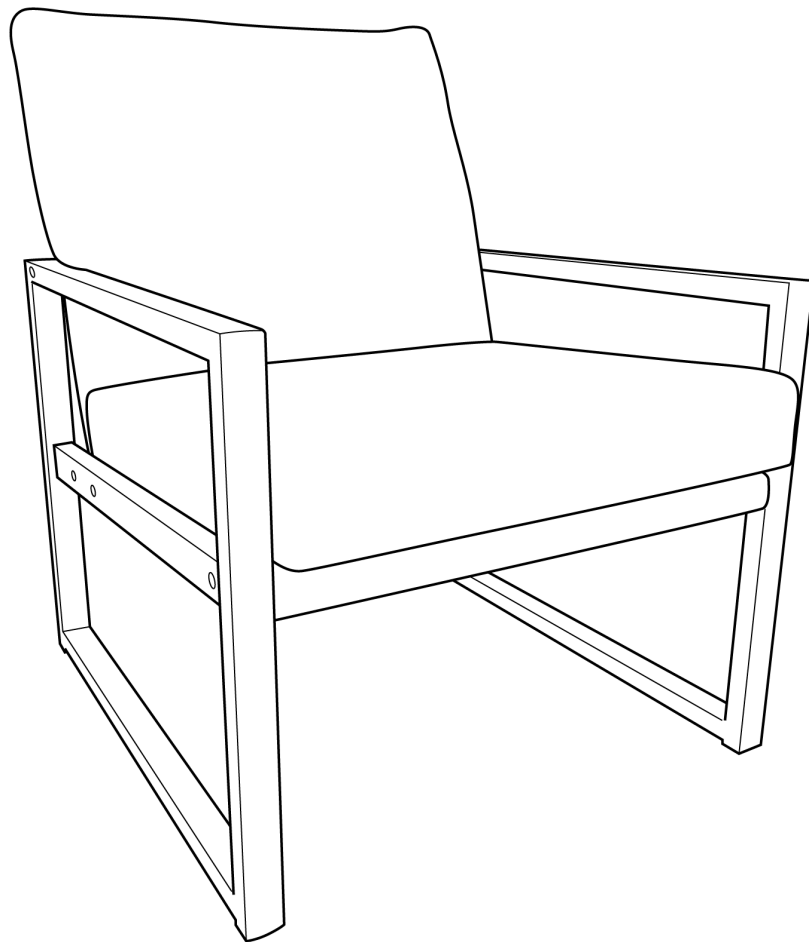


Jakob Accent Chair



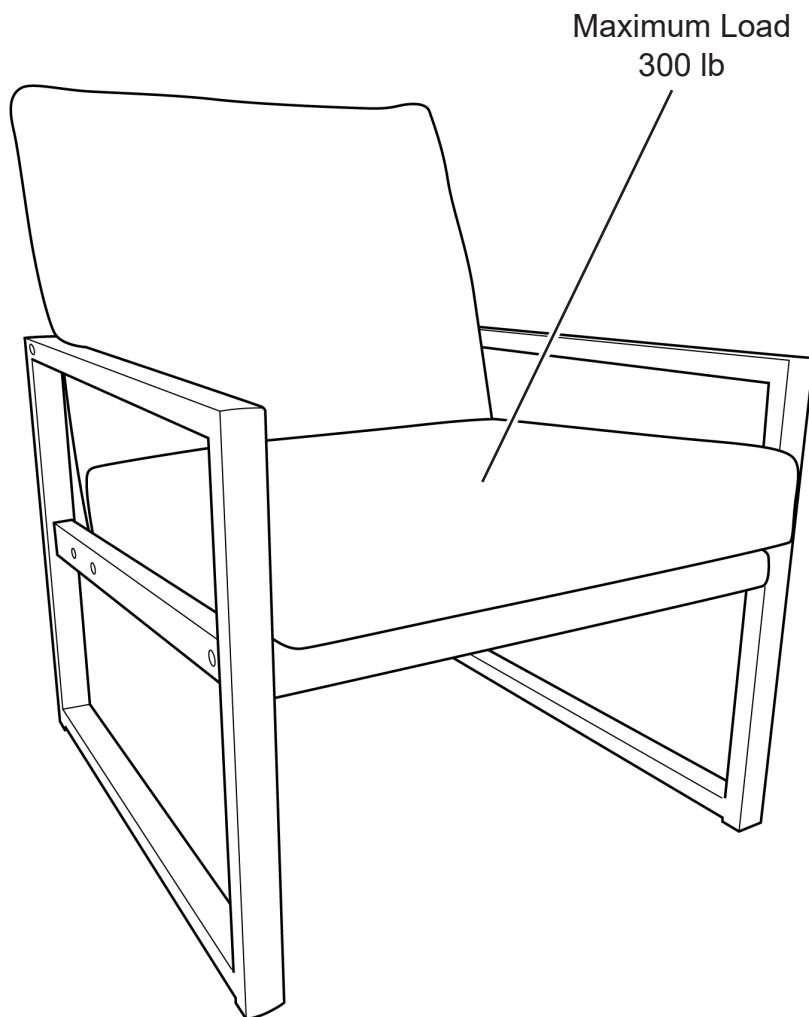


Estimated time for assembly:

10 mins



Weight limitations are as follows:





Assemble the furniture on an empty carton, carpet or rug to prevent scratches or damage.

For safety, please keep pets and children away from the assembly area.

Ensure the product is fully assembled before use. If you are missing any hardware or products, do not use it until you have restored the missing parts.



This furniture requires 2 people for assembly.

Read this instruction manual prior to assembly to familiarize yourself with the various steps.

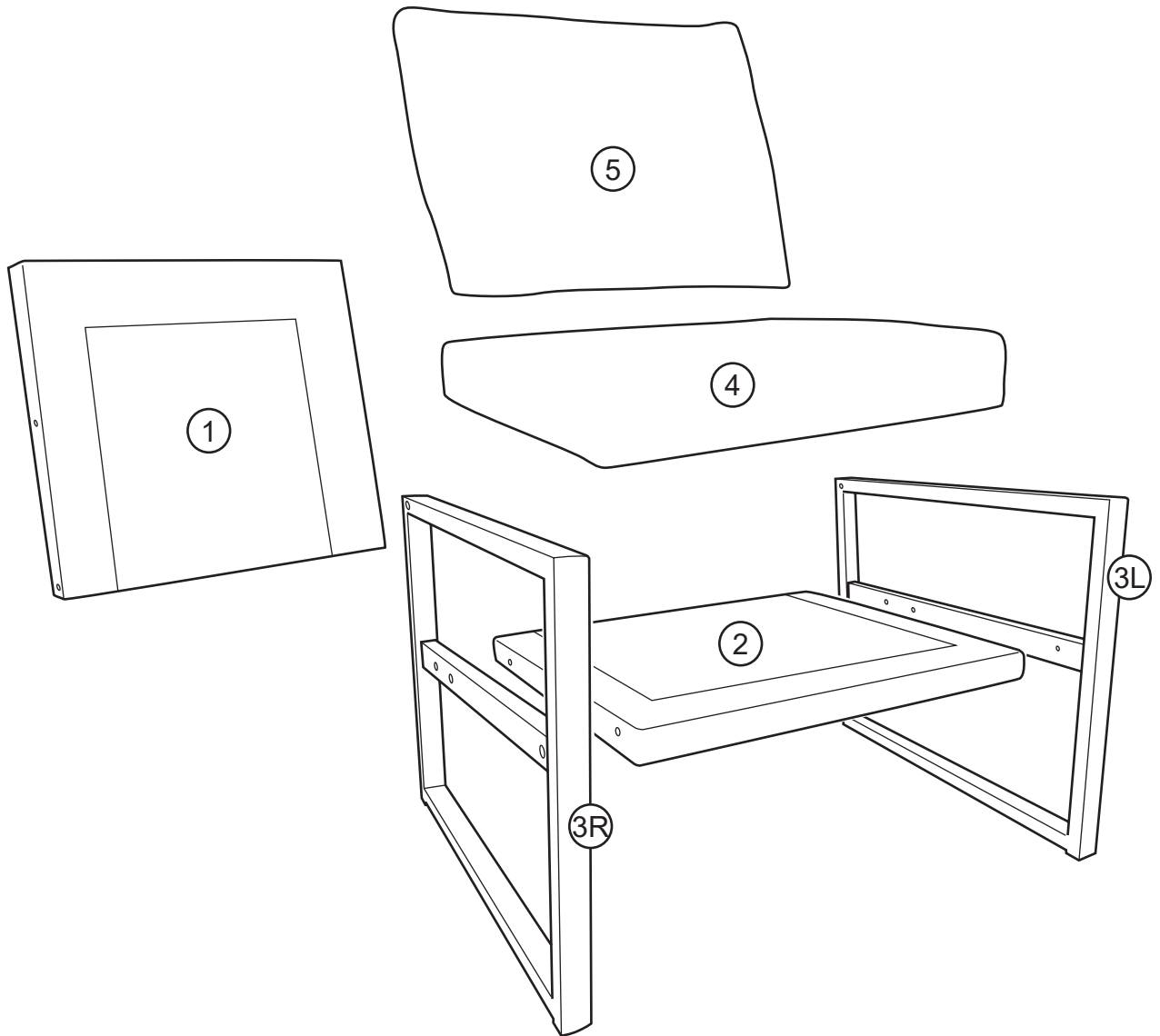
Lay out all components and hardware separately on a flat surface and make sure that no parts are missing or damaged before assembly. Do not destroy or discard any packaging until you are certain that you have all the necessary parts for assembly.

CAUTION

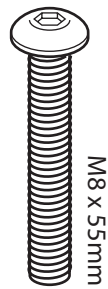
There are small components used in the construction of this product. Loose items should be kept away from pets and children to avoid a choking hazard.

Keep all plastic bags and packaging film away from pets and children to avoid suffocation.

PACKAGE CONTENTS



(A)



M8 x 55mm

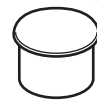
8x + 1x

(B)



4x + 1x

(C)



8x + 1x

PACKAGE CONTENTS

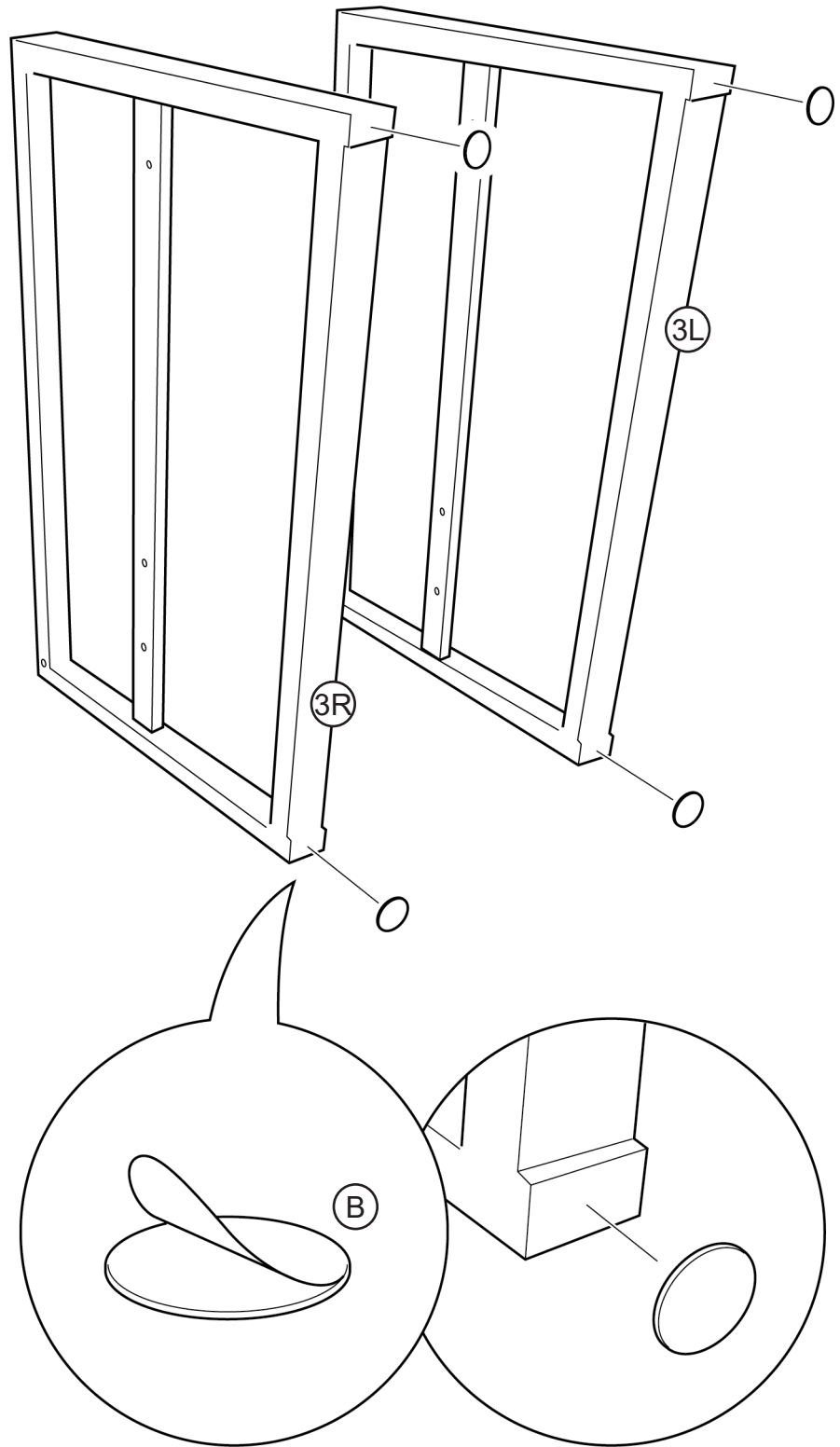
CODE	DESCRIPTION	QTY
1	Backrest	1
2	Seat	1
3L	Left Armrest	1
3R	Right Armrest	1
4	Seat Cushion	1
5	Backrest Cushion	1
A	M8 x 55mm Bolt	8 + 1
B	Floor Protector	4 + 1
C	Bolt Opening Cover	8 + 1

1

Attach floor protectors to the bottom of the armrests (3L, 3R).

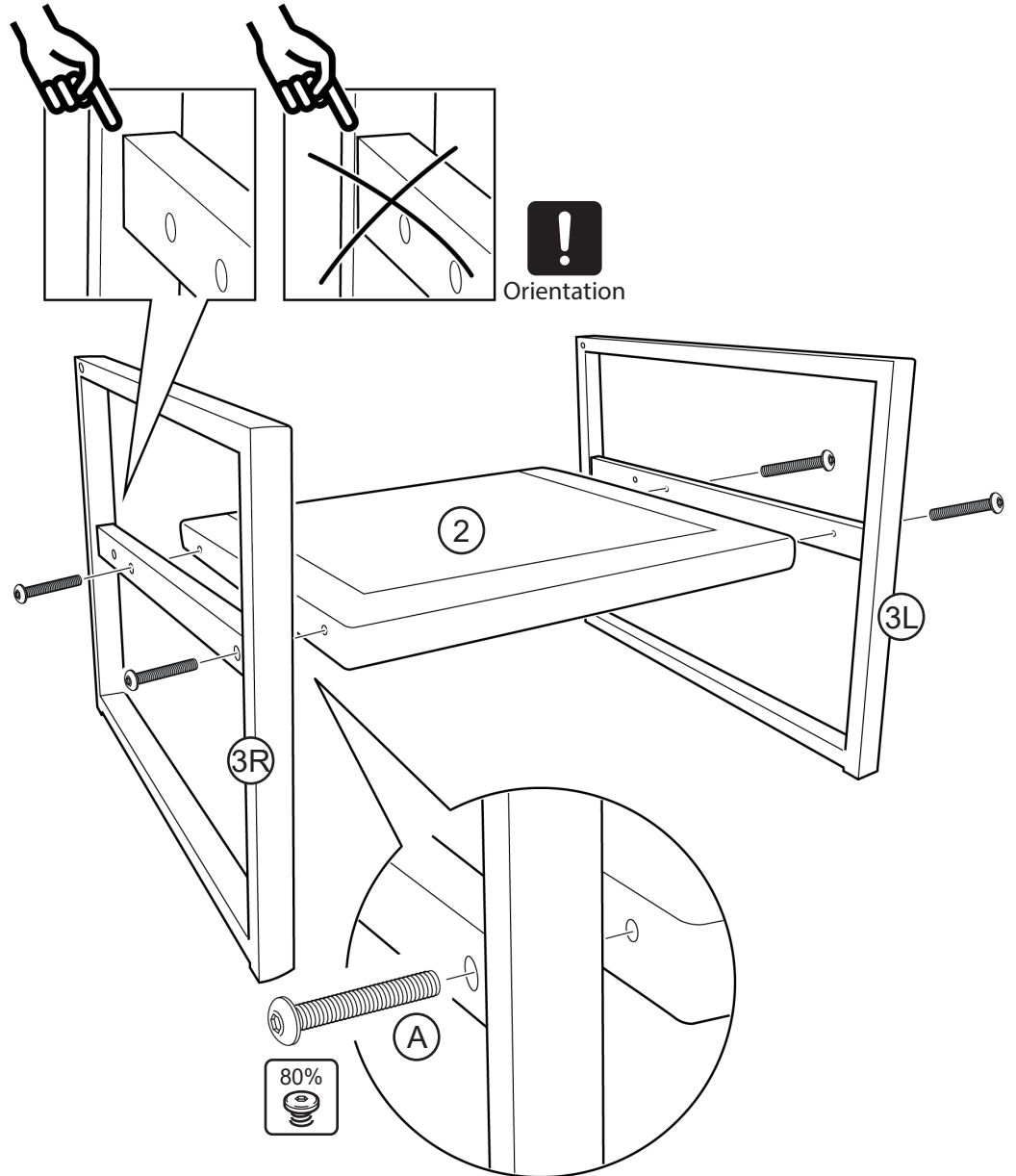
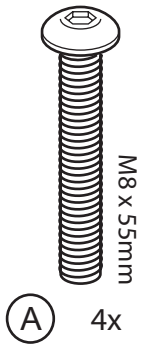


(B) 4x



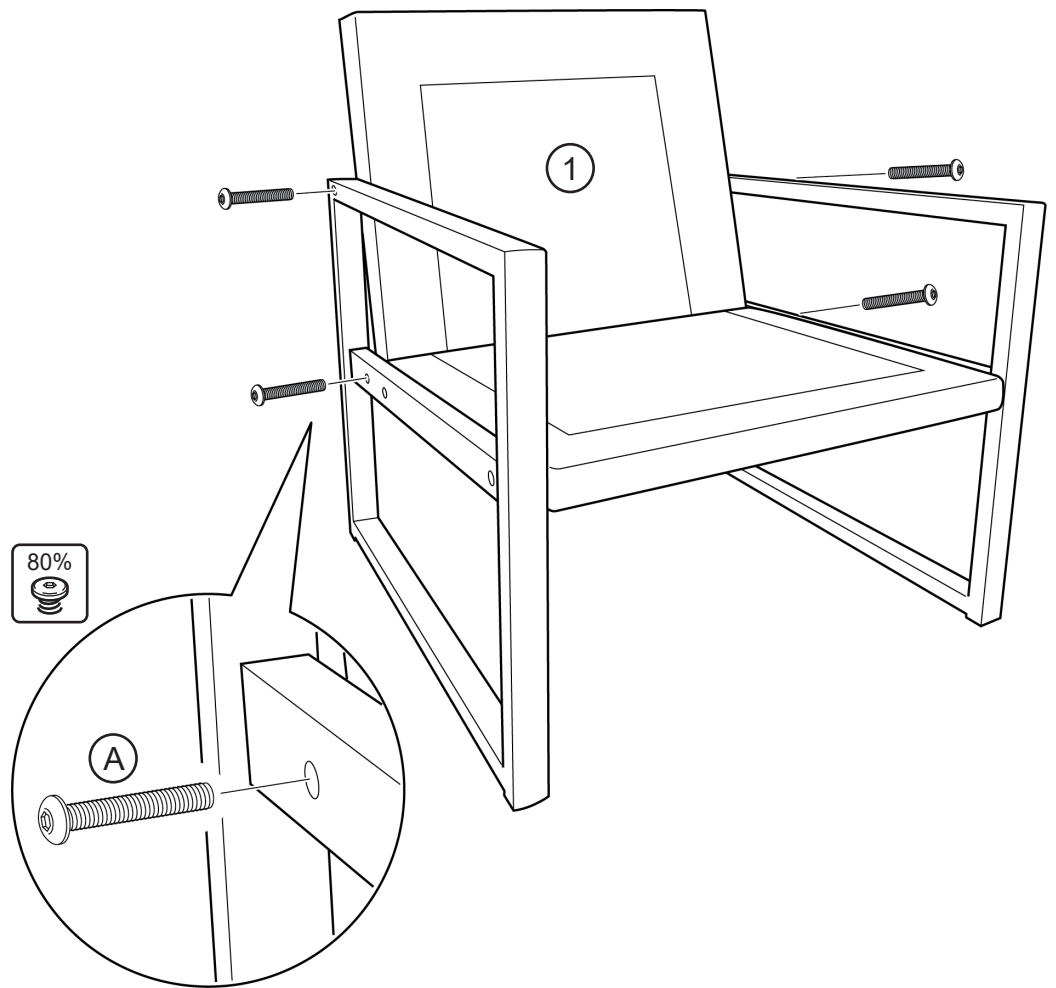
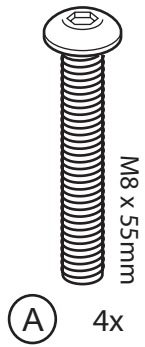
2

Assemble the seat (2) between the armrests (3L, 3R).



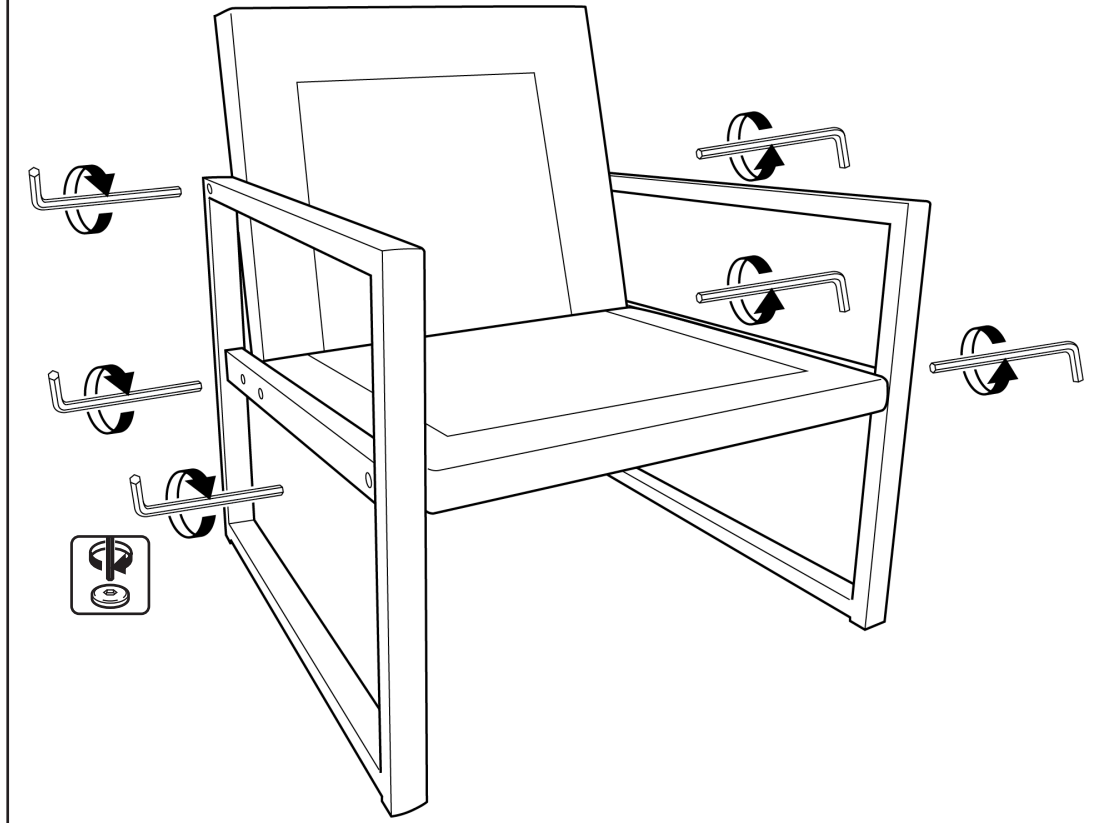
3

Assemble the backrest (1) between the armrests.



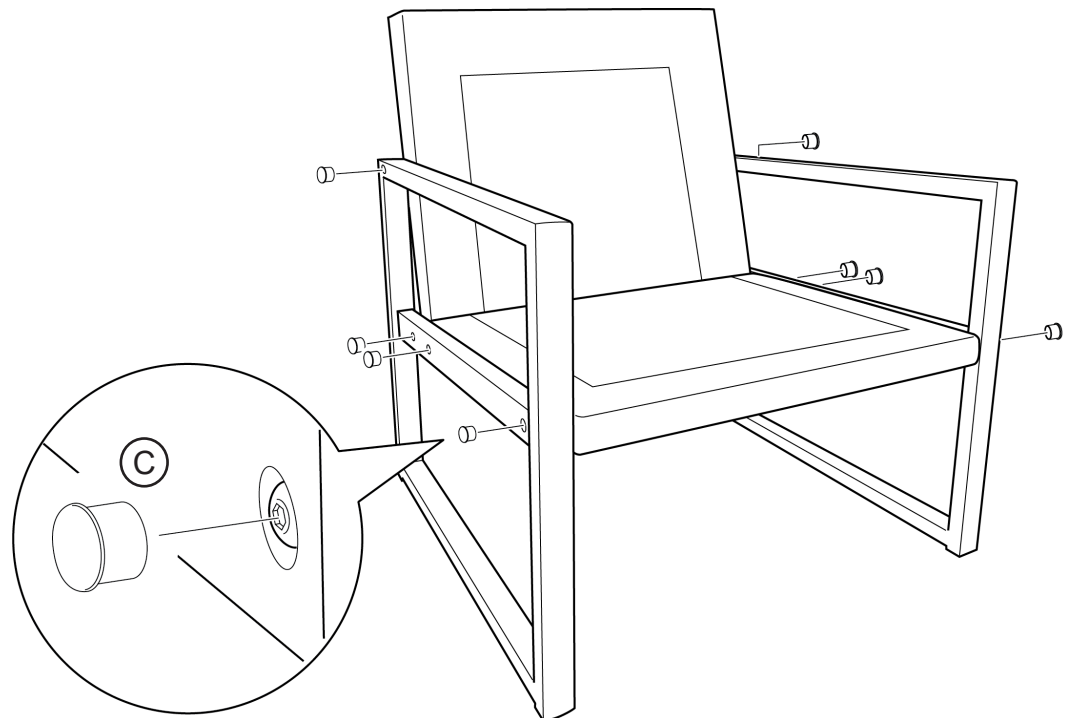
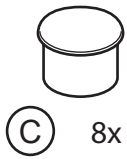
4

Place the chair on level ground and tighten all the bolts.



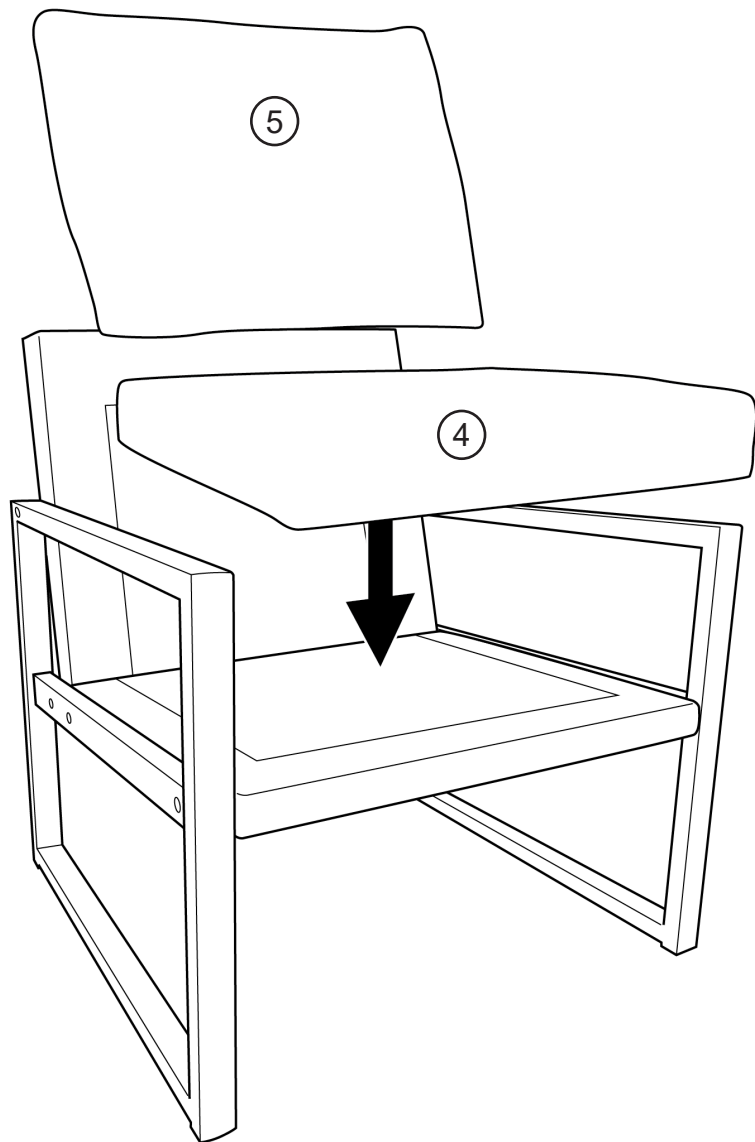
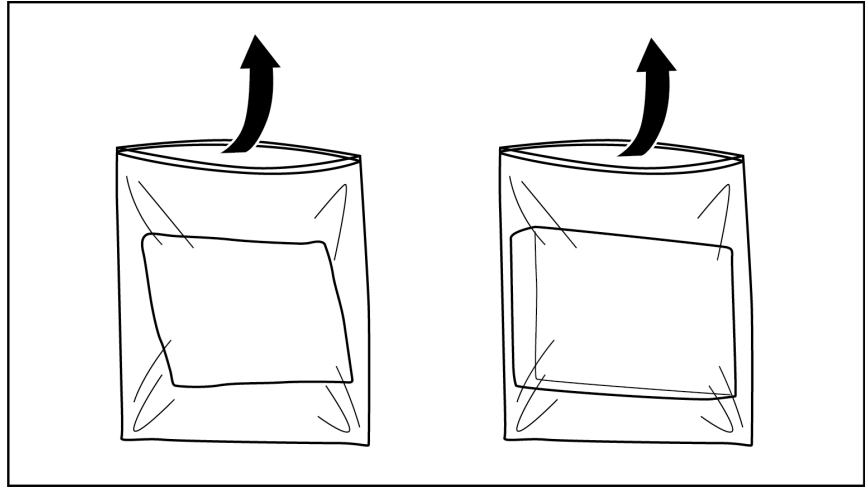
5

Plug bolts opening covers to the openings on the armrests.



6

Remove cushions (3, 4) from packaging and place them onto the chair.



YOU'RE FINISHED!

BELLEZE®

FURNITURE CARE AND MAINTENANCE

Thank you for your purchase. We want your item to last as long as possible. To ensure the product gives you years of longevity, please follow the recommendations in this care and maintenance guide.



MAINTENANCE

- Tighten all bolts and screws again within the first 2 weeks of assembly.
- Check the tightness of all bolts every 2 months and tighten them if necessary.



CLEANING

- Clean the furniture surface with a lightly dampened cloth or soft brush.
- Regularly clean the cloth surface with a vacuum cleaner.
- Dry the surface immediately after cleaning.

⚠ DO NOT use bleach or alcohol to clean the surface.

⚠ WARNING

The manufacturer and seller are not responsible for any and all liability relating to personal injury, property damage or losses, whether direct, indirect, or incidental, resulting from the incorrect attachment, improper use, inadequate maintenance, unapproved modification or neglect of this product.

WARRANTY

Our products come with a 1-year warranty from the date of delivery. **Register your product on our website to enjoy our limited lifetime warranty!**