

ASSEMBLY INSTRUCTIONS

FULL OVER FULL BUNK WITH TRUNDLE





SAFETY WARNING



1. This bed is designed for use only mattress (es) meeting the following specifications on the upper bunk, and lower bunk:

Down bed

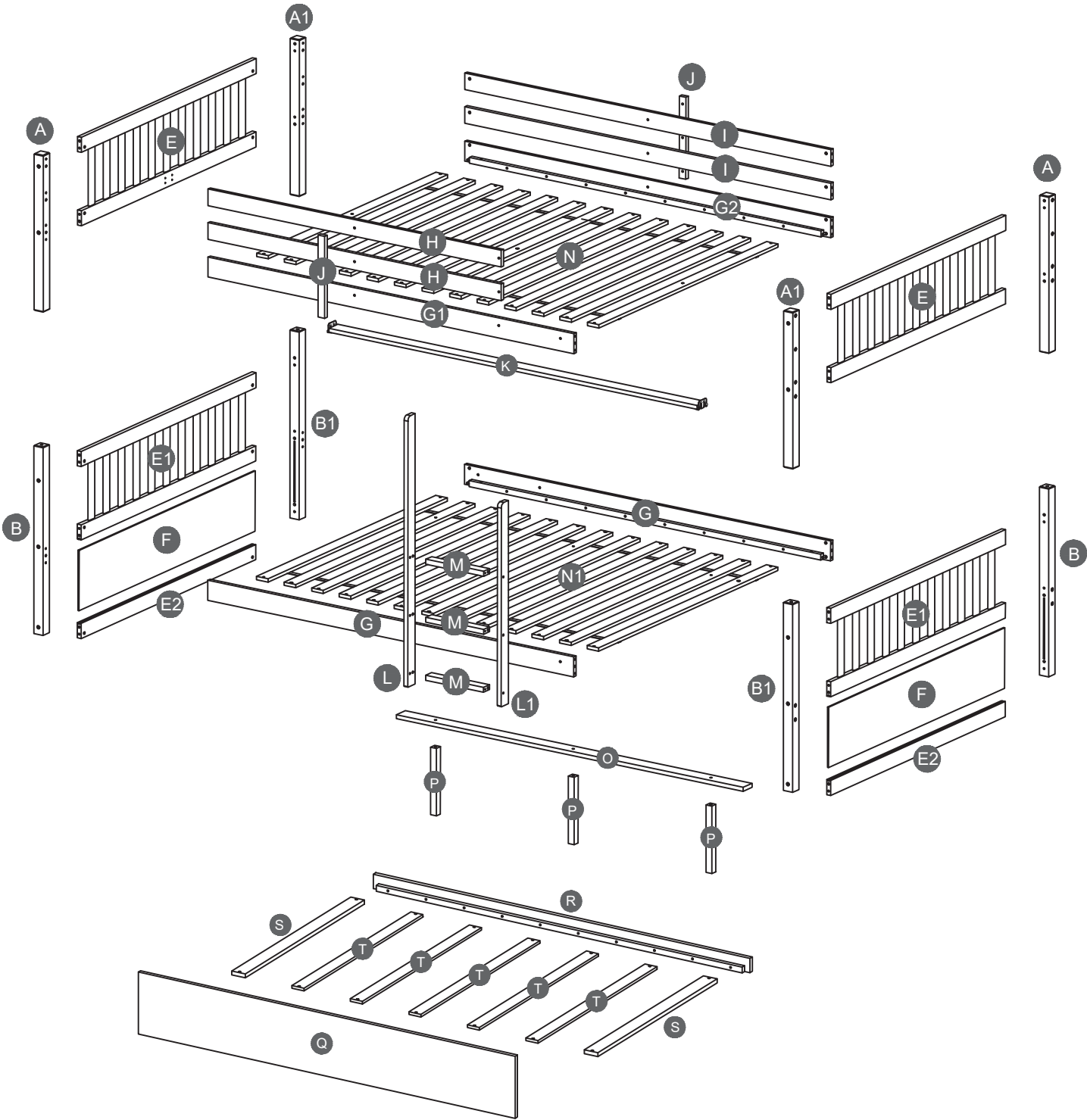
Bed type	Length	With	Thickness
Full Standard	74"-75"	54"	6" max

Up bed (Bunk bed and tribed included)


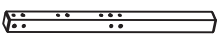

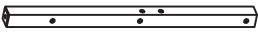
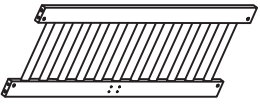
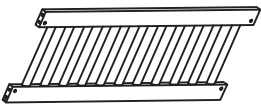









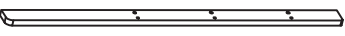





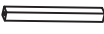


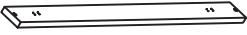
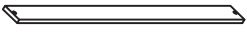
Bed type	Length	With	Thickness
Full Standard	74"-75"	54"	6" max

2. Replacement parts, including additional guardrails, maybe obtained from any of our dealers of GigaCloud Technology, (USA) /18961 ARENTH AVENUE,CITY OF INDUSTRY,CA, 91748 .
3. Follow the information on the warnings appearing on the upper bunk bed end structure and on the carton. Do not remove warning label from bed.
4. Always use the recommended size mattresses or mattress supports, or both, to help prevent the likelihood of entrapment or falls.
5. Surface of mattress must be at least 5" (127mm) below the upper edge of guardrails.
6. Do not allow children under 6 years of age to use the upper bunk.
7. Periodically check and ensure that the guardrail, ladder, and other components are in their proper position, free from damage, and that all connectors are tight.
8. Do not allow horseplay on or under the bed and prohibit jumping on the bed.
9. Always use the ladder for entering and leaving the upper bunk.
10. Do not use substitute part. Contact the manufacture or dealer for replacement part.
11. Use of a night light may provide added safety precaution for a child using the upper bunk.
12. Always use guardrails on both long sides of the upper bunk. If the bunk bed will be placed next to the wall, the guardrail that runs the full length of the bed should be placed against the wall to prevent entrapment between the bed and wall.
13. The use of water or sleep flotation mattresses is prohibited.
14. STRANGULATION HAZARD - Never attach or hang items to any part of the bunk bed that are not designed for use with the bed; for example, but not limited to, hook, belts and jump ropes.
15. Keep these instruction for future reference.

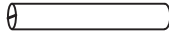
Detail View



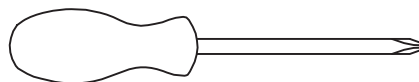
Part List

A  Upper Leg - 2pcs	A1  Upper Leg - 2pcs	B  Lower Leg - 2pcs
B1  Lower Leg - 2pcs	E  Hb. Fb. Upper Panel - 2pcs	E1  Hb. Fb. Lower Top Panel - 2pcs
E2  Hb. Fb. Lower Bottom Panel - 2pcs	F  Hb. Fb. Lower Mid. Panel - 2pcs	G  Side Rail Lower (Front & Back) - 2pcs
G1  Side Rail Upper (Front) - 1pc	G2  Side Rail Upper (Back) - 1pc	H  Guardrail Upper (Front) - 2pcs
I  Guardrail Upper (Back) - 2pcs	J  Guardrail Spindle - 2pcs	K  Center Rail Upper - 1pc
L  Ladder Rail Left (Long) - 1pc	L1  Ladder Rail Right (Short) - 1pc	M  Ladder Step - 3pcs
N  Bed Slats Upper - 1Set	N1  Bed Slats Upper - 1Set	O  Center Rail Lower - 1pc
P  Support Leg - 3pcs	Q  Front Panel (Trundle) - 1pc	R  Back Panel (Trundle) - 1pc
S  Support Frame Panel (Trundle) - 2pcs	T  Bed Slats (Trundle) - 5pcs	

Hardware List

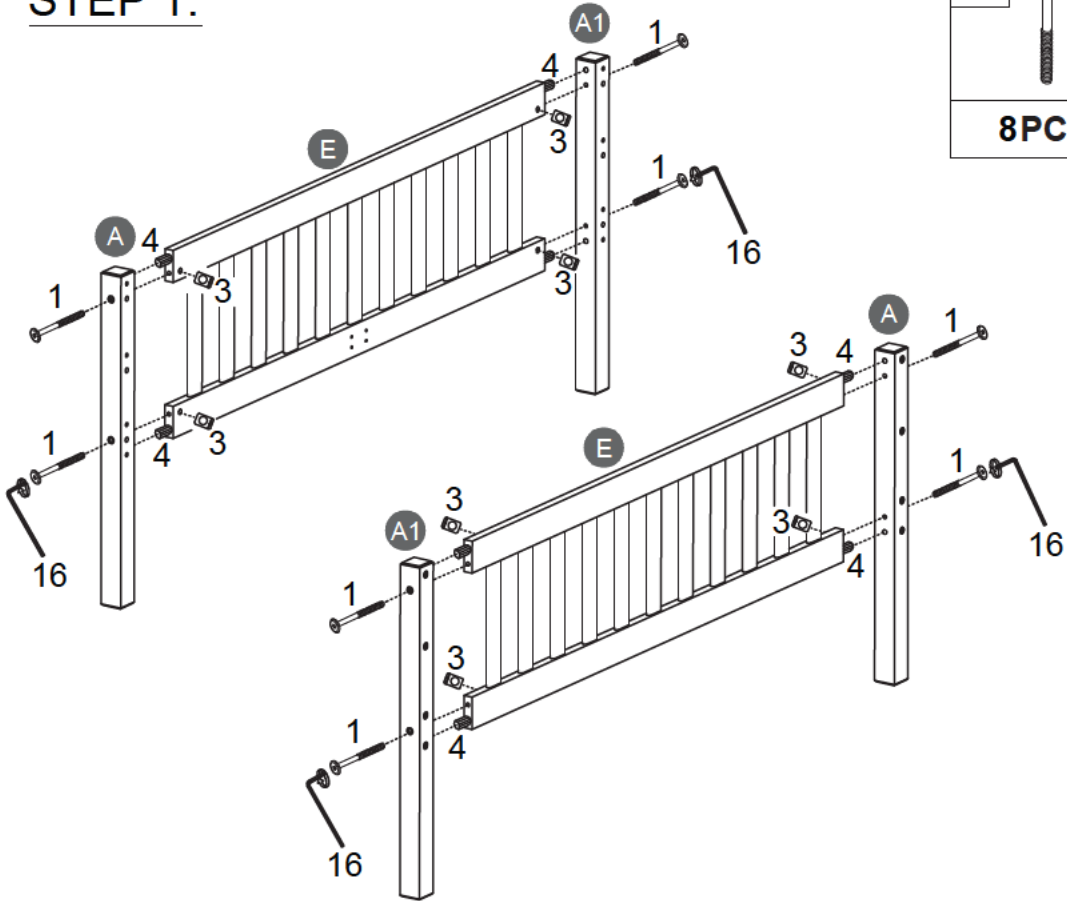
1  M6 x 90mm JCBC (42pcs)	2  M6 x 50mm JCBC-W (12pcs)	3  M6 x 15mm Barrel Nut (42pcs)
4  M10 x 30mm Wood Dowel (40pcs)	5  M6 x 65mm JCBC (3pcs)	6  M4 x 25mm CSK Screw (57pcs)
7  M6 x 30mm JCBC (6pcs)	8  M6 x 30mm JCBC-W (8pcs)	9  M10 x 100mm Metal Pin (4pcs)
10  Center Rail Bracket (2pcs)	10  Sticker Cap (10pcs)	12  Caster (4pcs)
13  20 x 20 x 232mm Bed Slats Block (1pc)	14  L Bracket (2pcs)	15  M4 x 16mm CSK Screw (20pcs)
16  M4 Allen Key (1pc)	17  M4 x 32mm CSK Screw (14pcs)	18  Adjustable Screw (3pcs)

ASSEMBLY TOOLS REQUIRED (NOT INCLUDED)

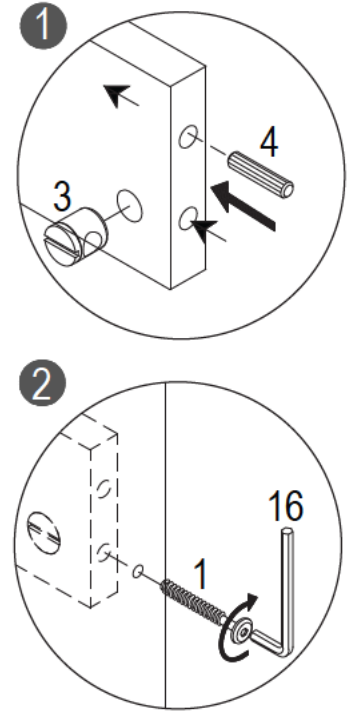


PLEASE BE CAREFUL DO NOT DAMAGE THE HOLE POSITION WHEN YOU USE POWER TOOLS !

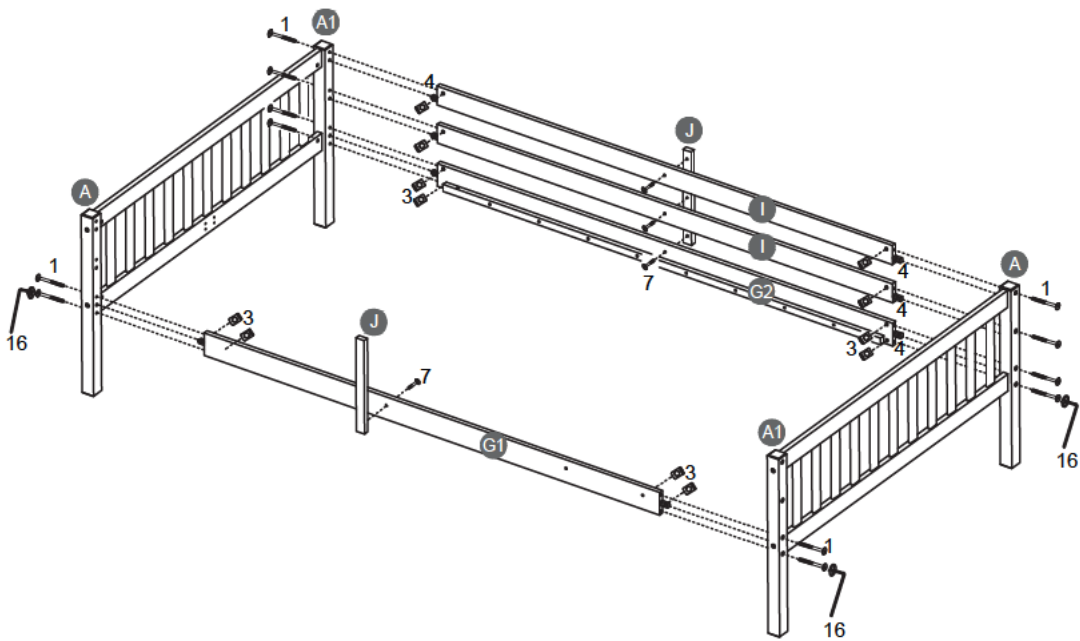
STEP 1:



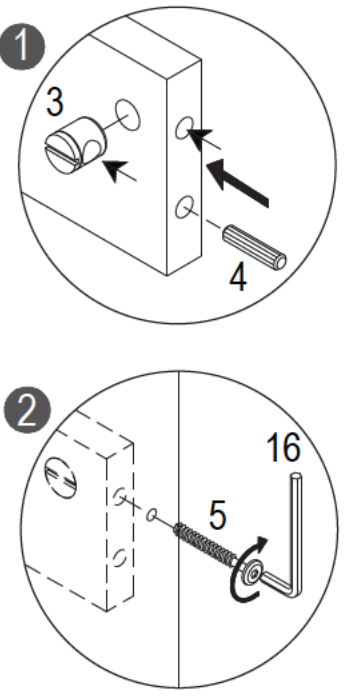
1		3		4	
8PCS		8PCS		8PCS	



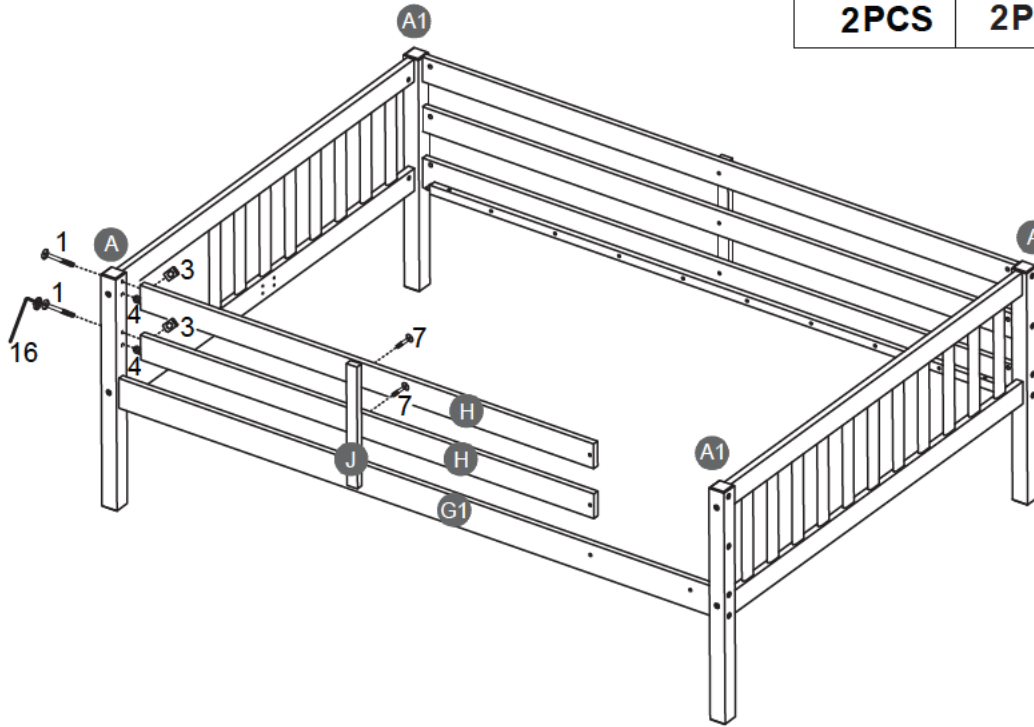
STEP 2:







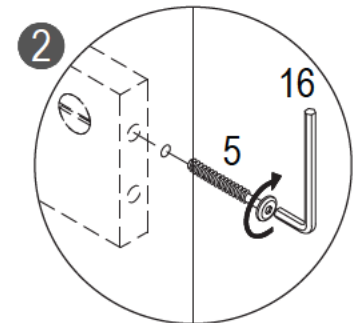
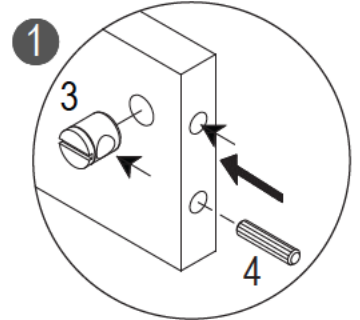
1		3		4		7	
12PCS		12PCS		8PCS		4PCS	



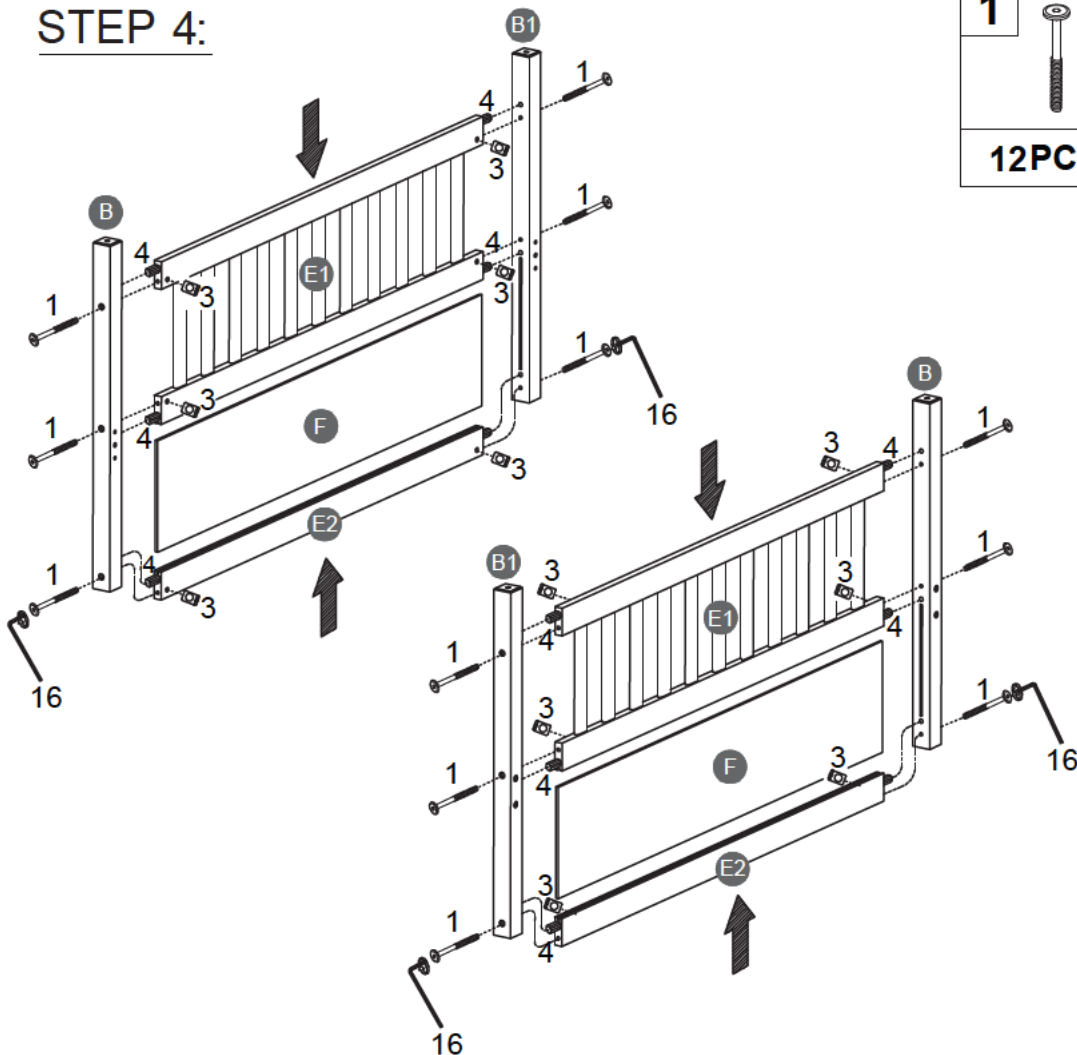
STEP 3:






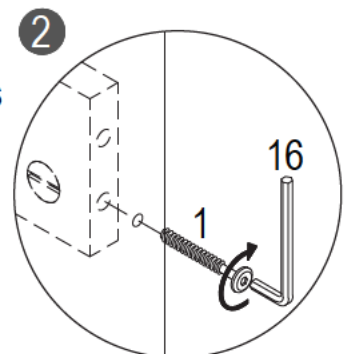
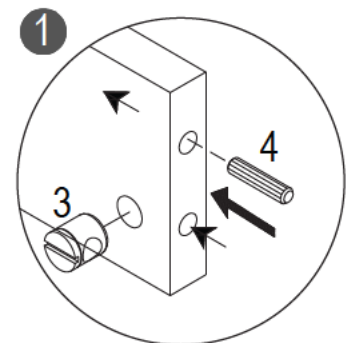
1		3		4		7	
2PCS		2PCS		2PCS		2PCS	






STEP 4:

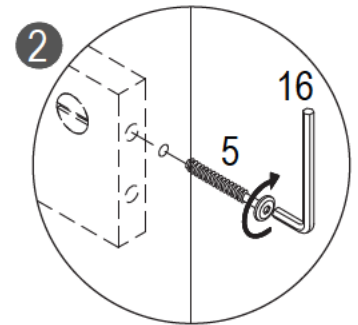
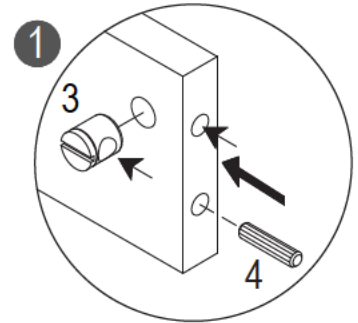
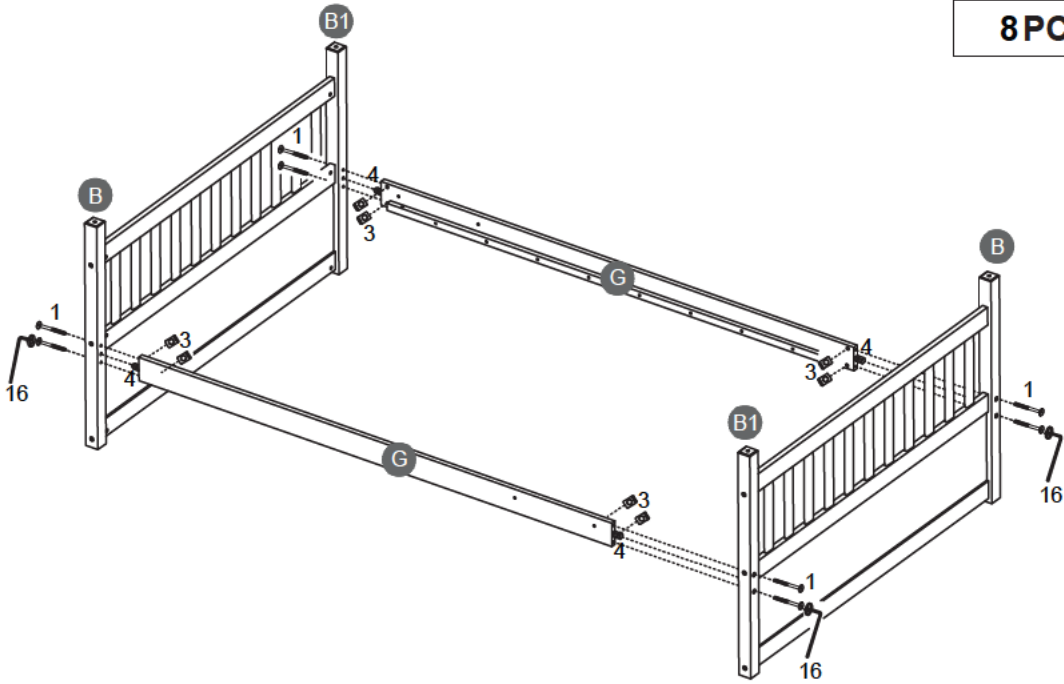


1		3		4	
12PCS		12PCS		12PCS	




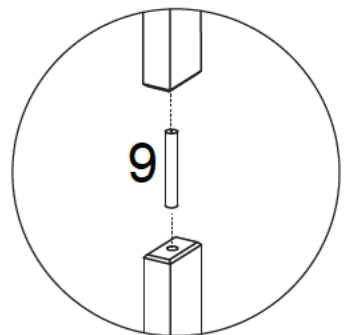
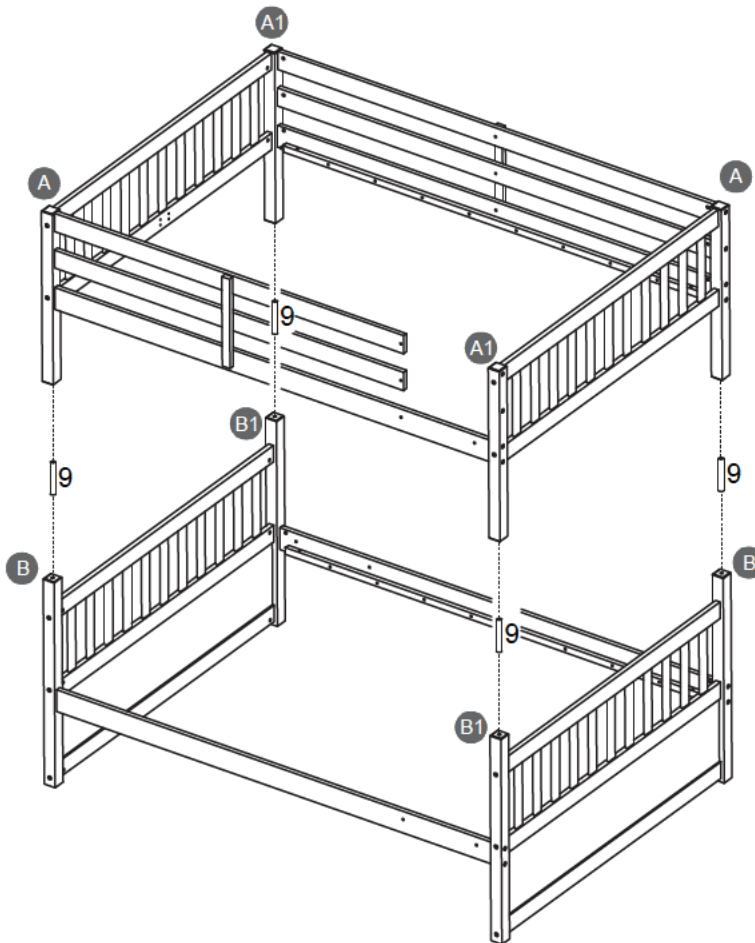
STEP 5:

1		3		4	
8PCS		8PCS		4PCS	





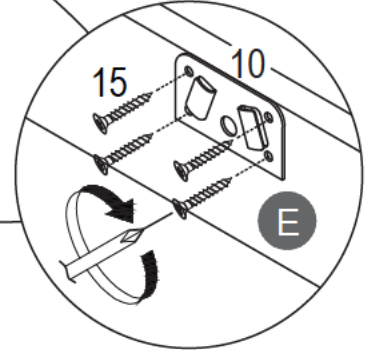
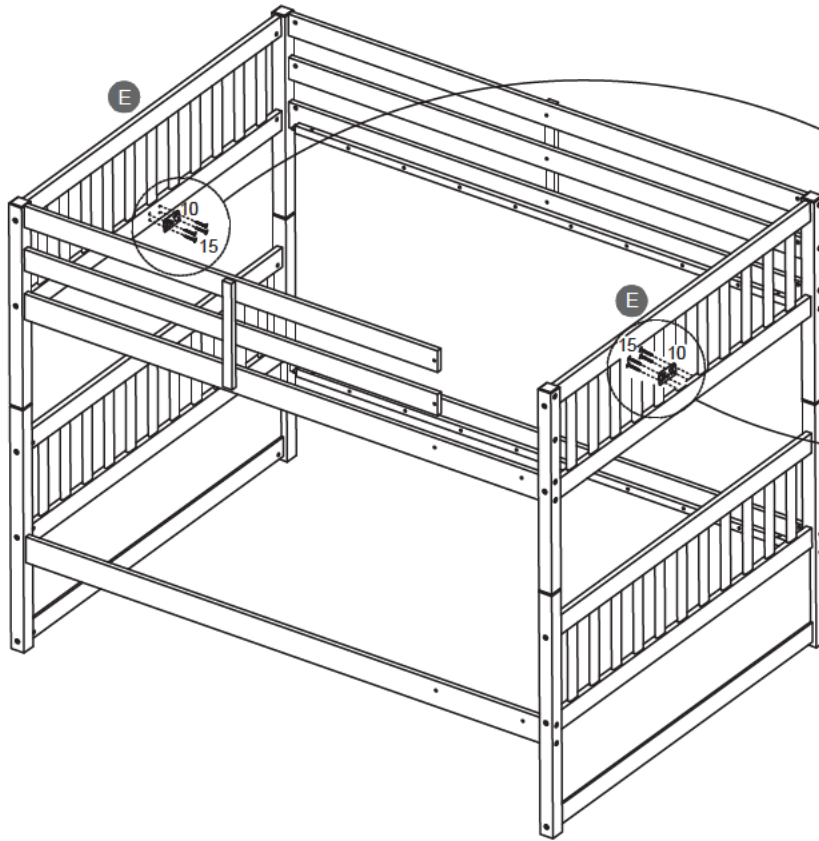
STEP 6:

9	
4PCS	

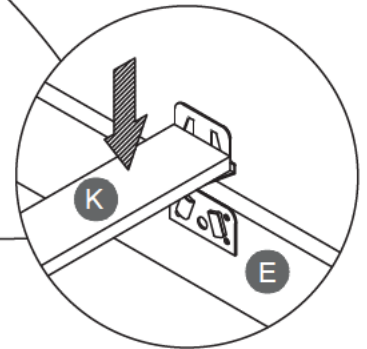
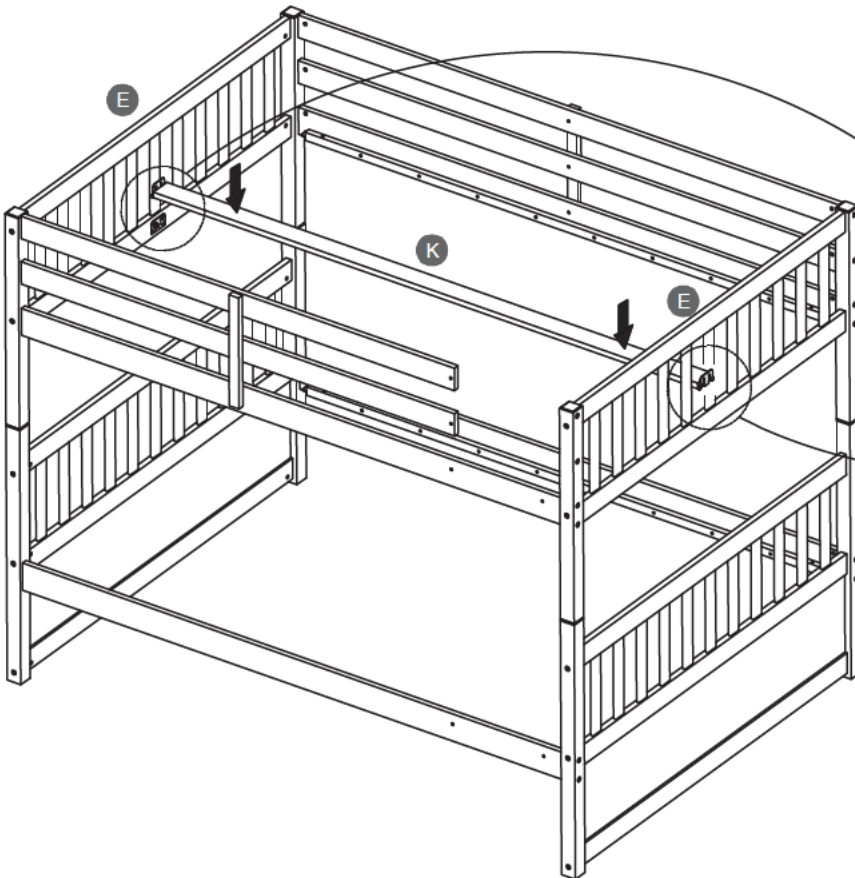


STEP 7:

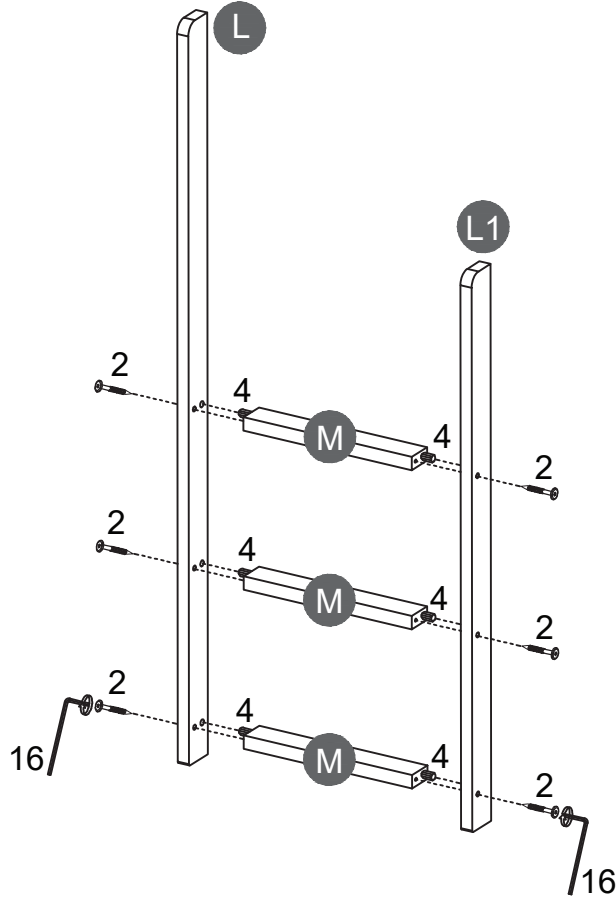
15	10
	
8PCS	2PCS

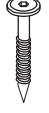



STEP 8:

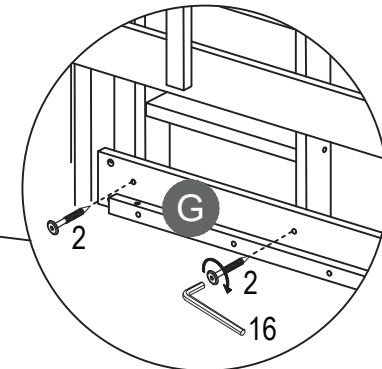
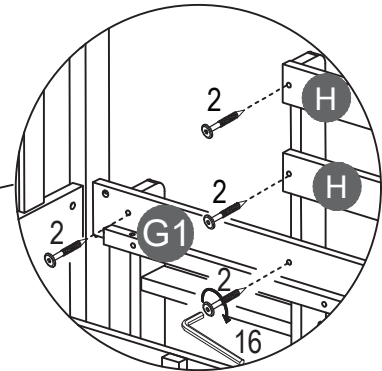
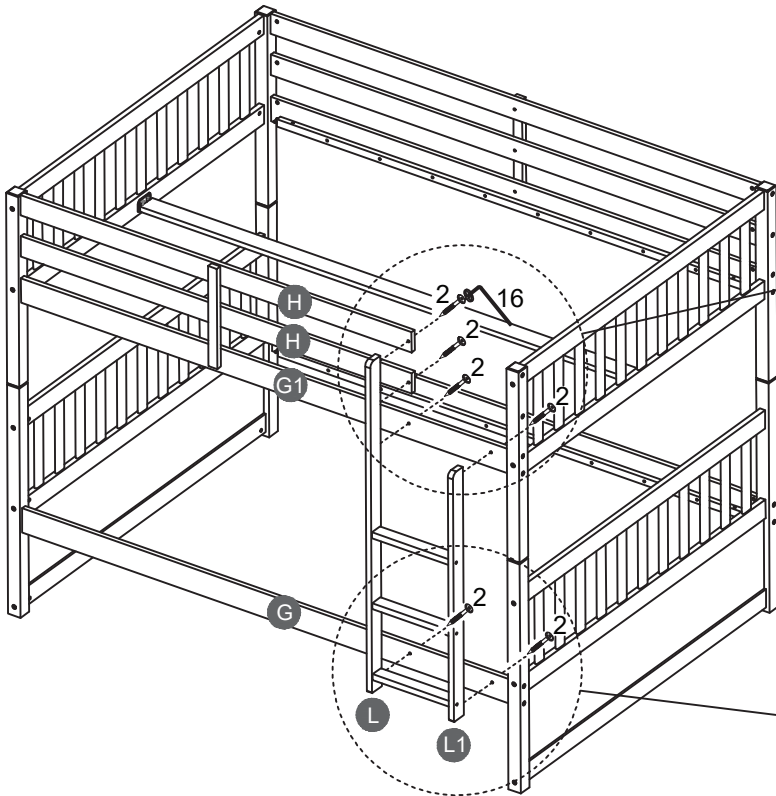



STEP 9:





2		4	
6PCS		6PCS	

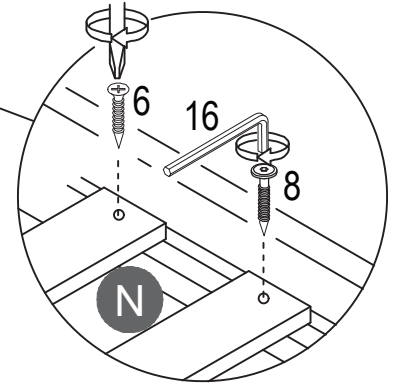
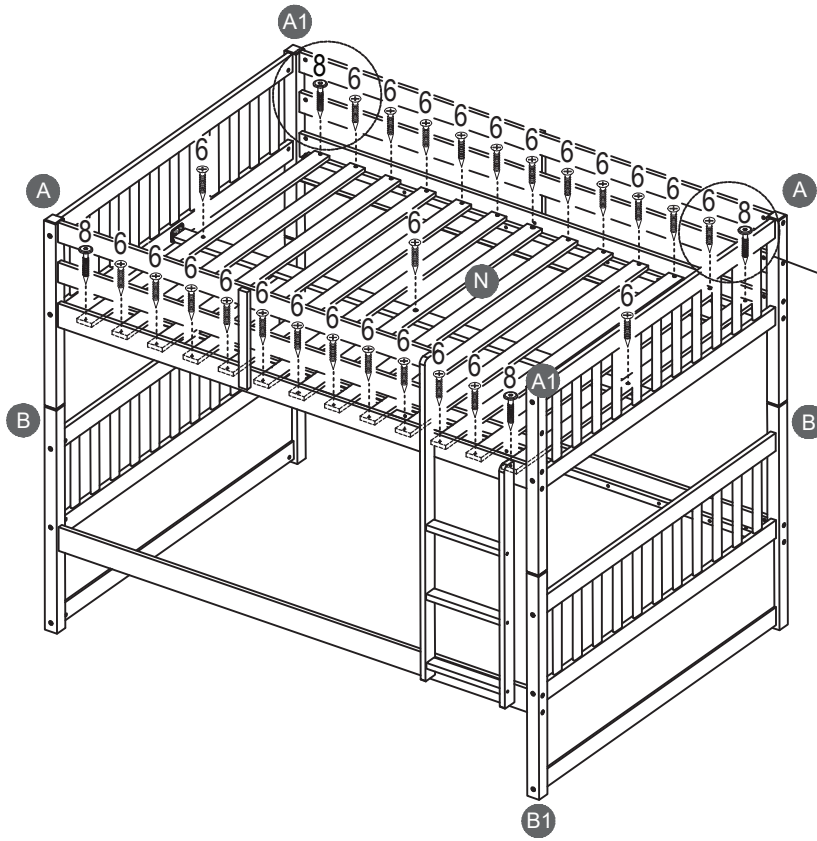
STEP 10:





2	
6PCS	

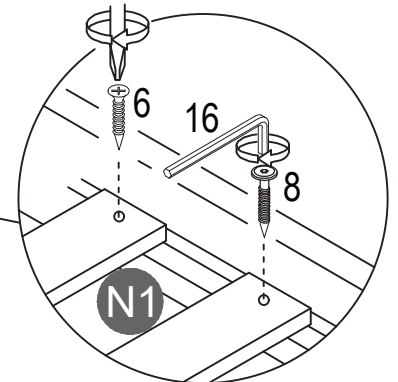
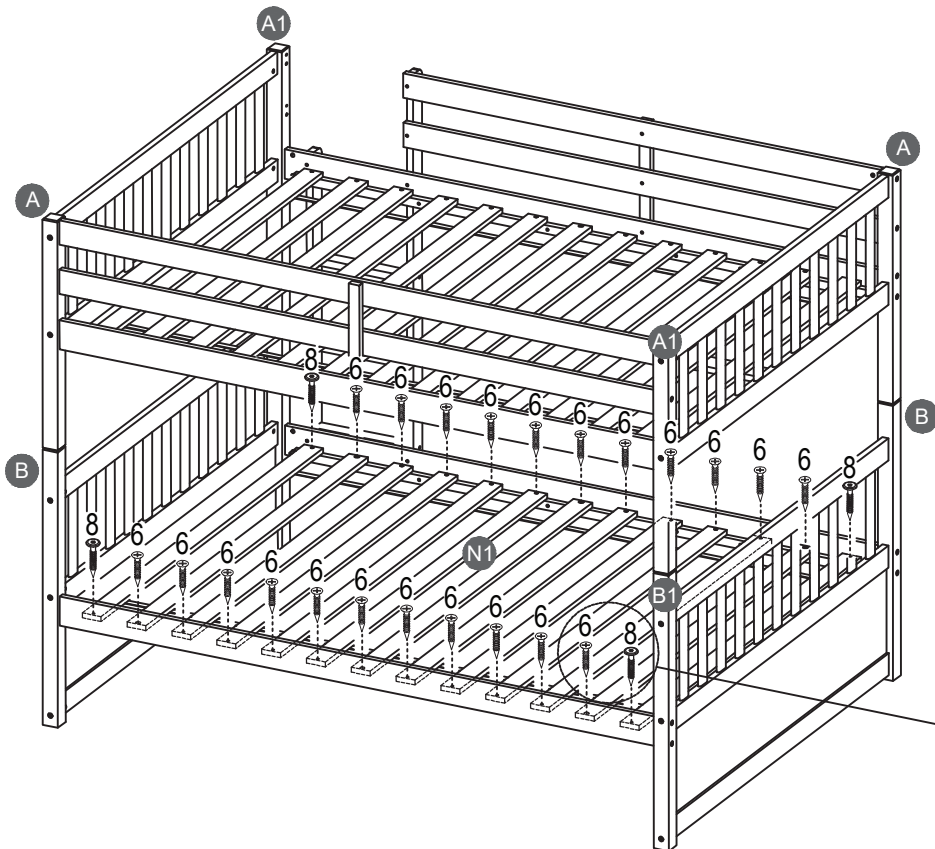
STEP 11:

6		8	
25PCS		4PCS	







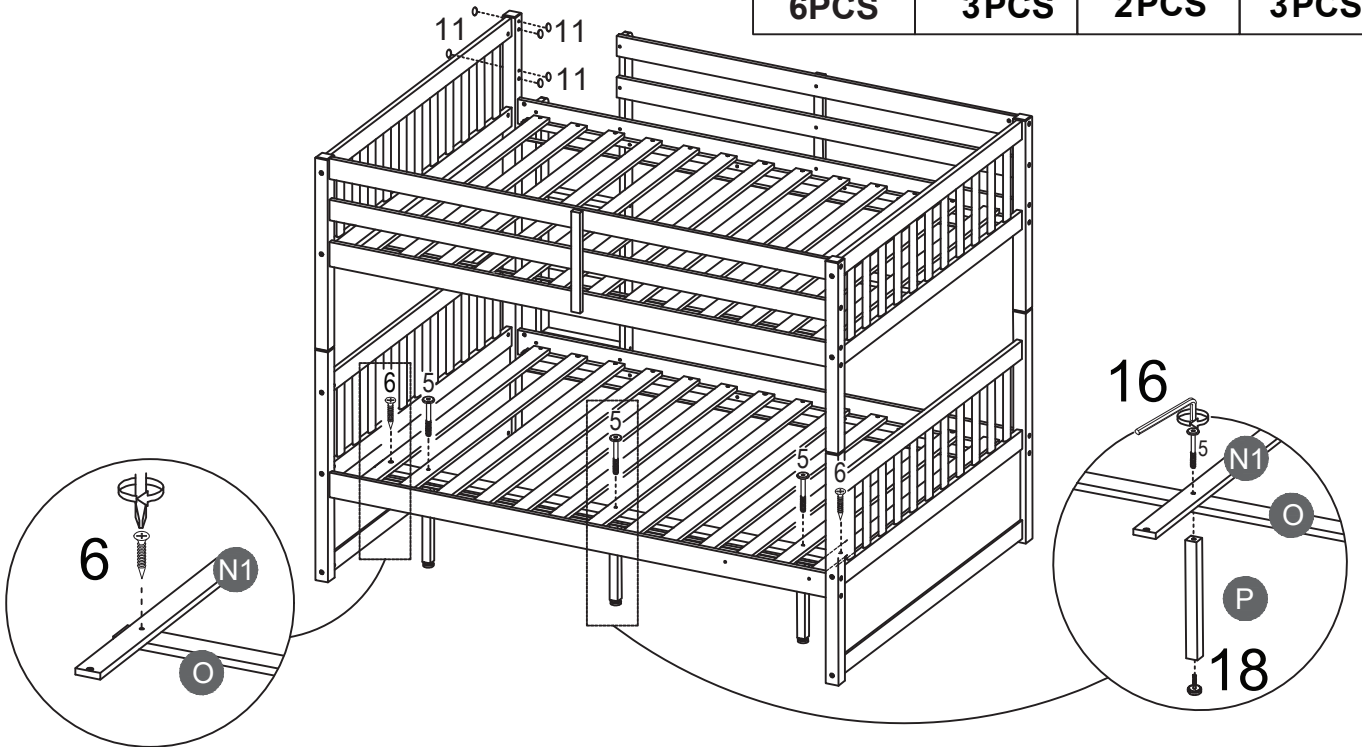
STEP 12:

6		8	
22PCS		4PCS	





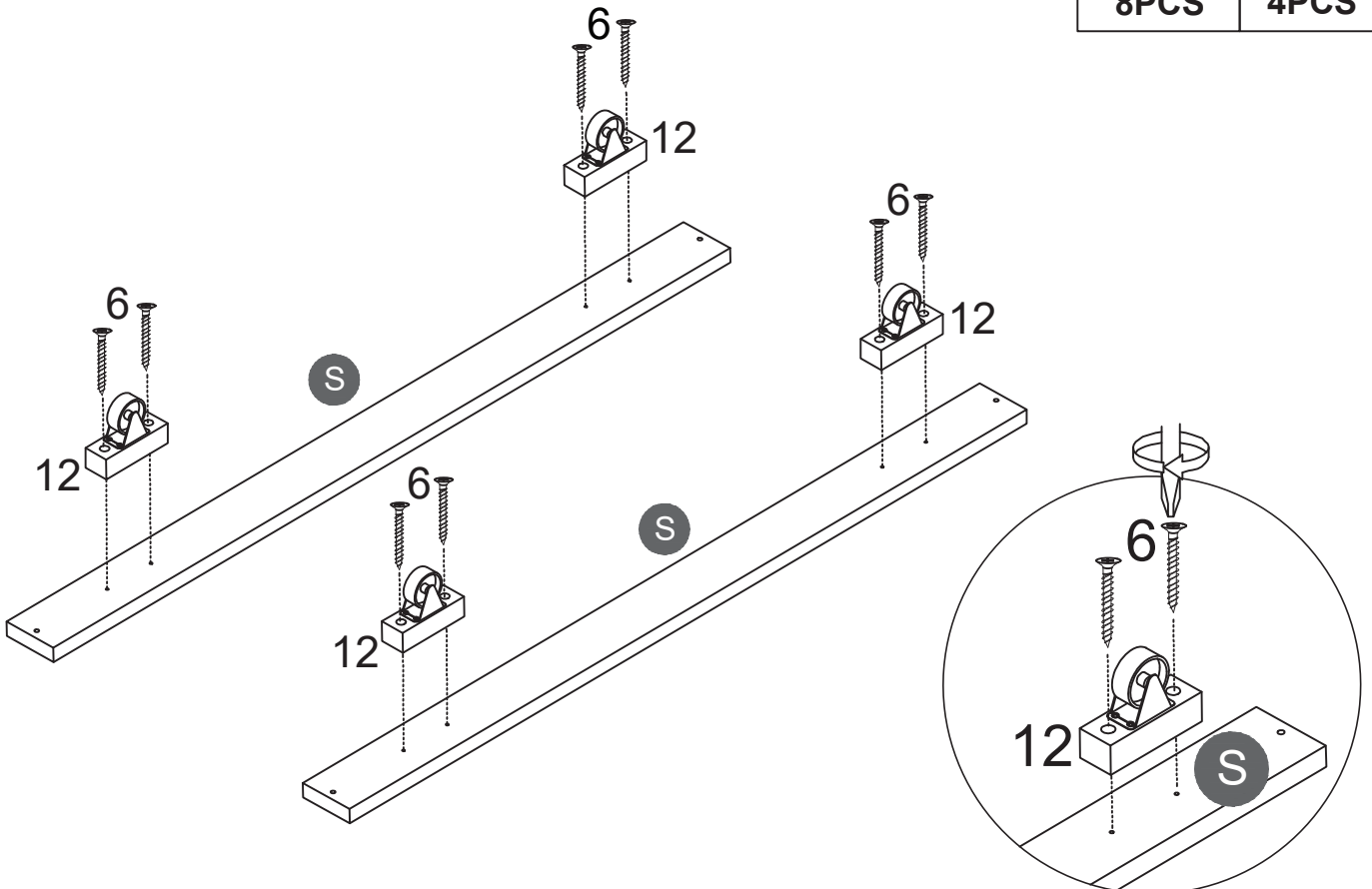
STEP 13:

11 	5 	6 	18 
6PCS	3PCS	2PCS	3PCS



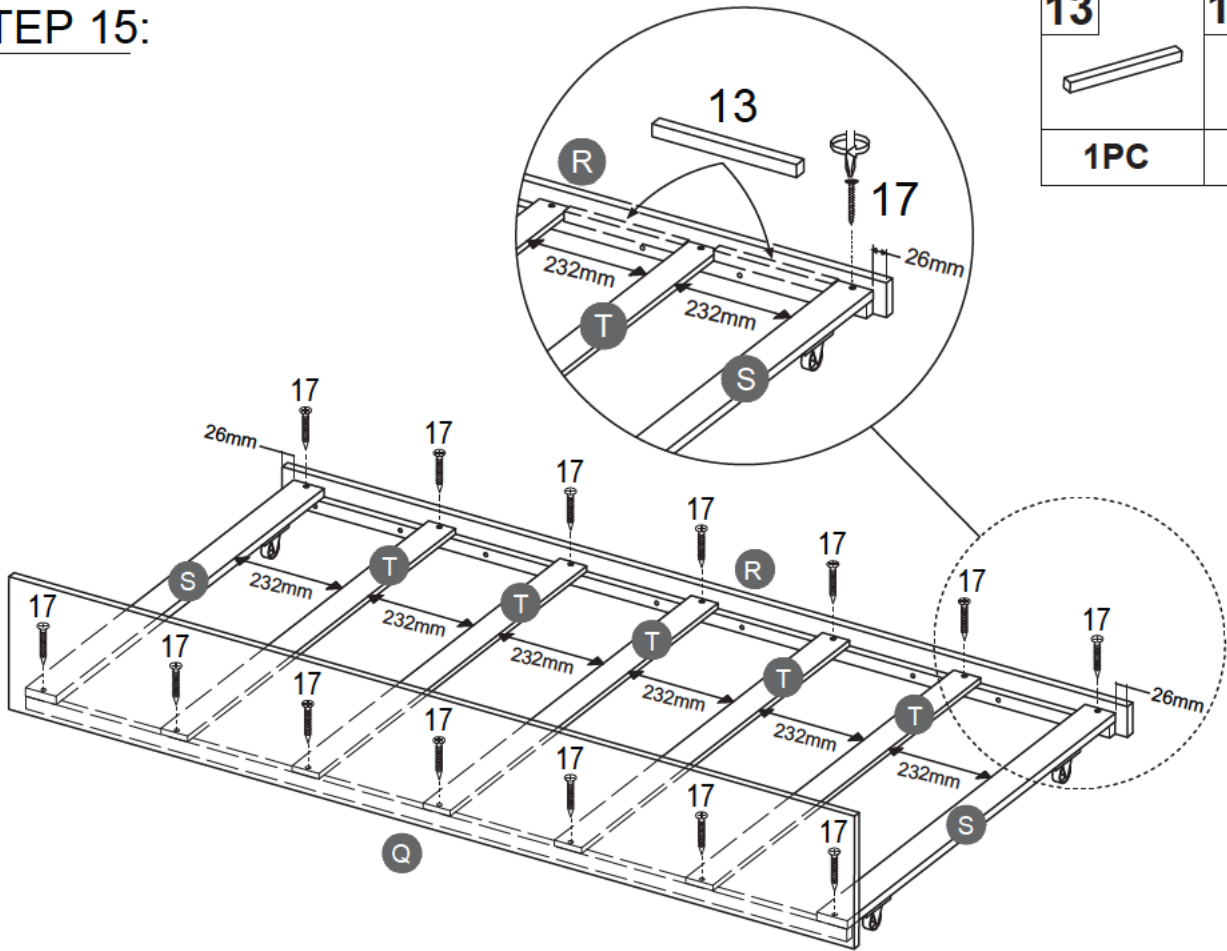
STEP 14:

6 	12 
8PCS	4PCS



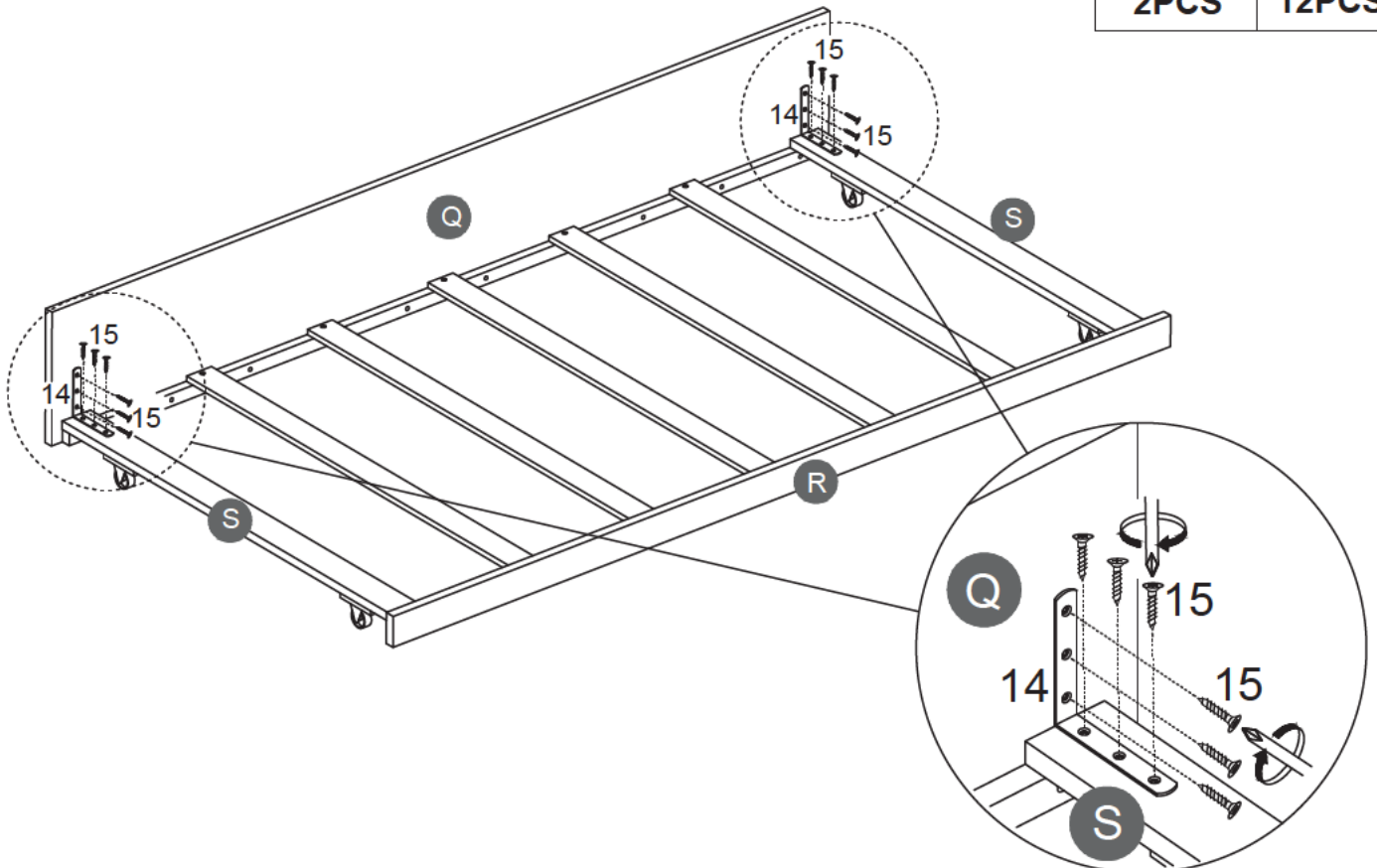
STEP 15:

13	17
1PC	14PCS

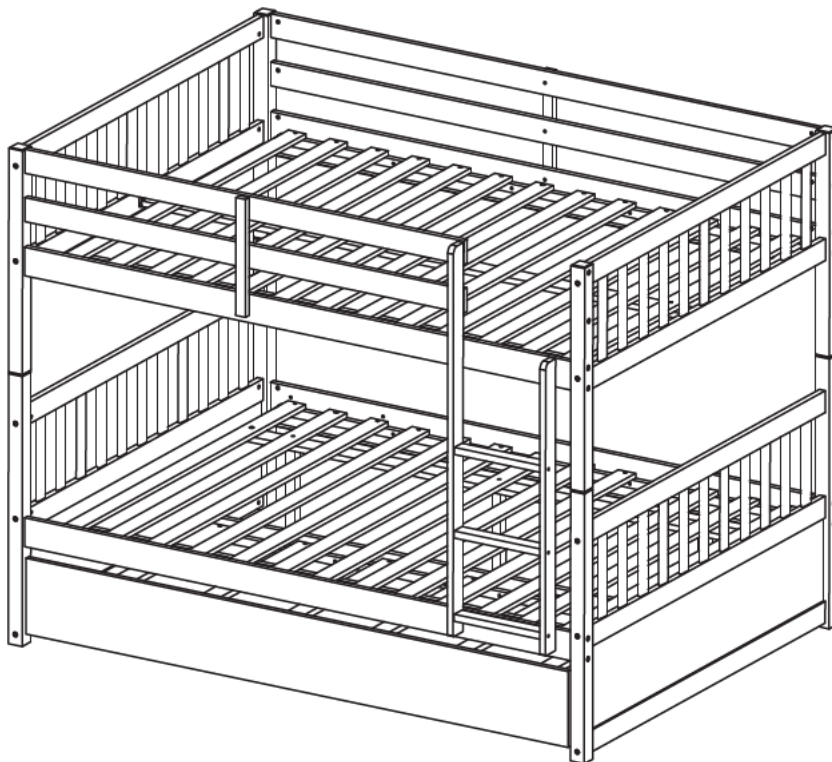
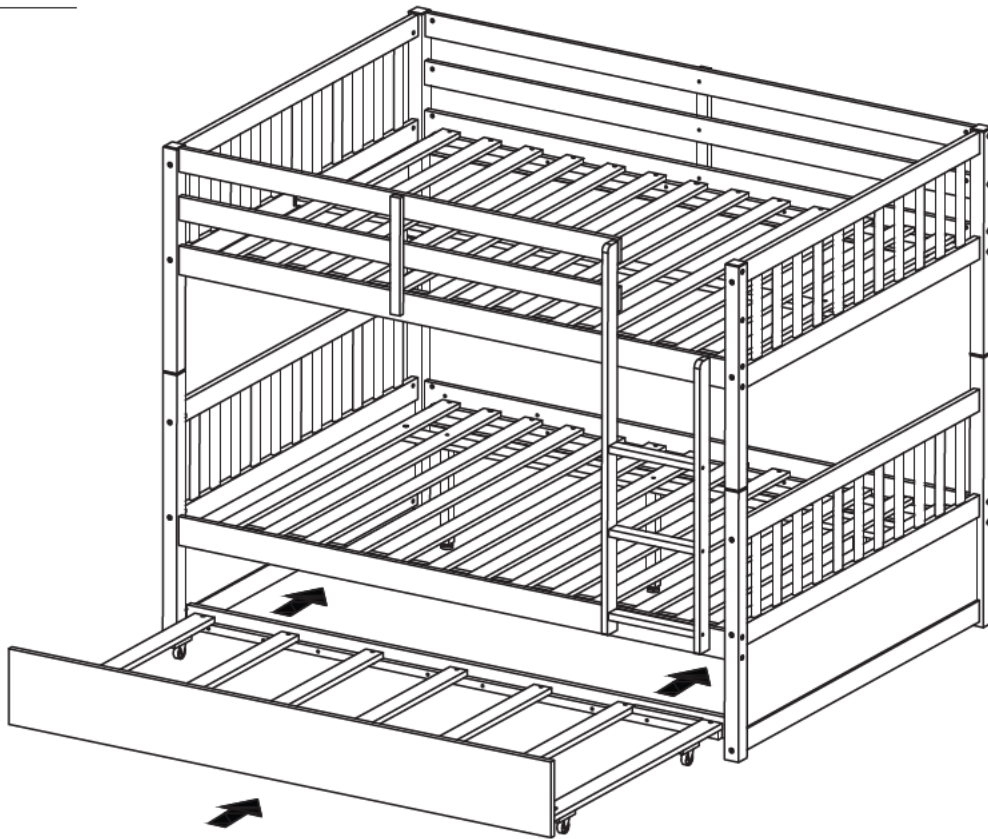


STEP 16:

14	15
2PCS	12PCS



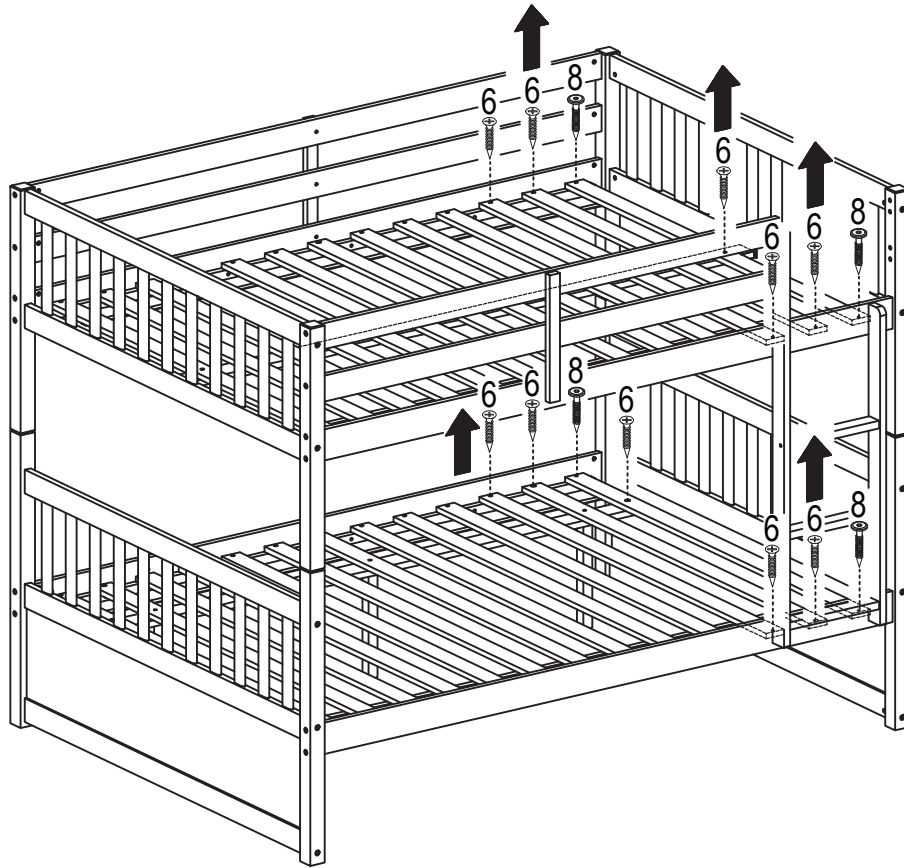
STEP 17:



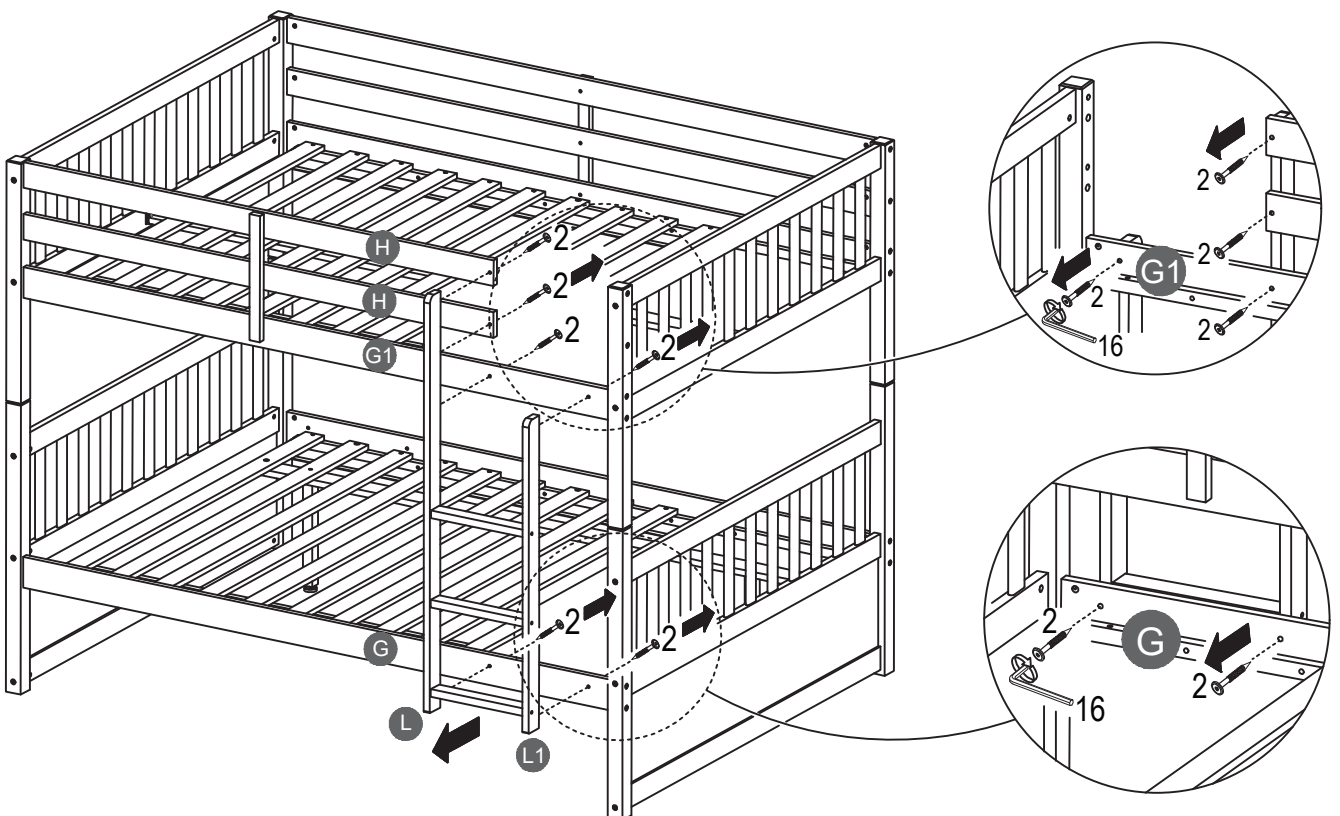
Push Trundle under the bottom of Bunkbed.

STEP 1:

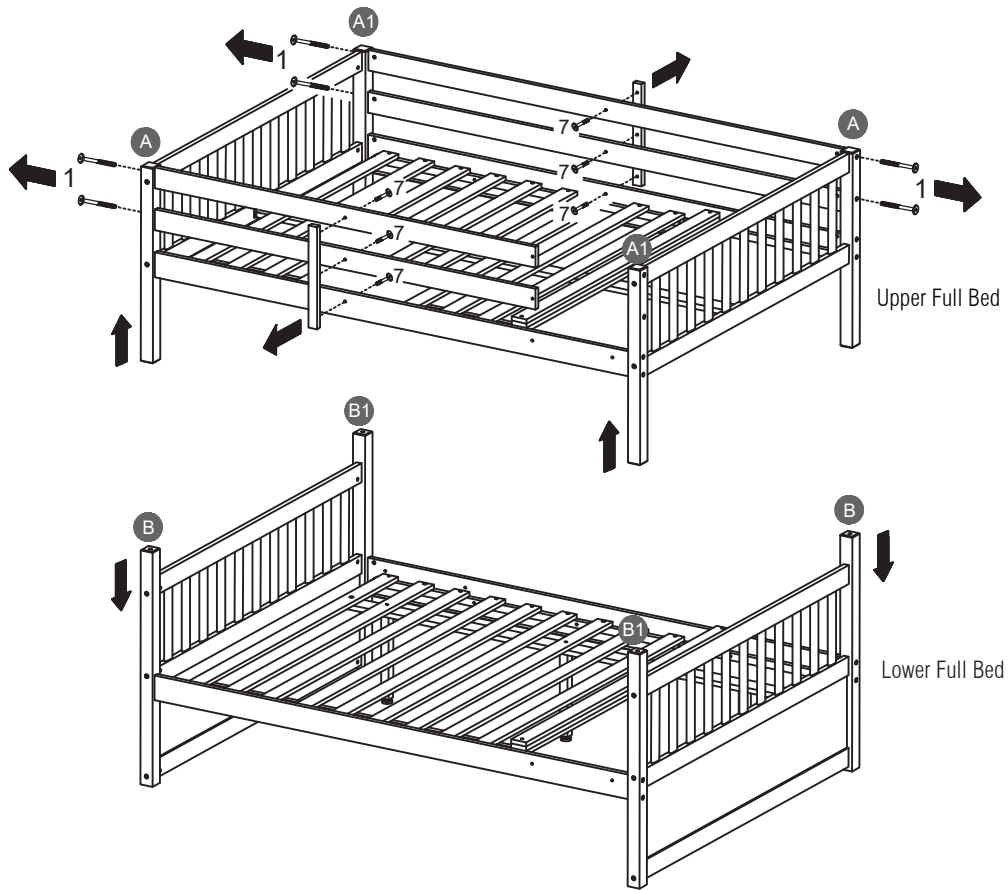
Converting the Bunk Bed into 2 Full Beds



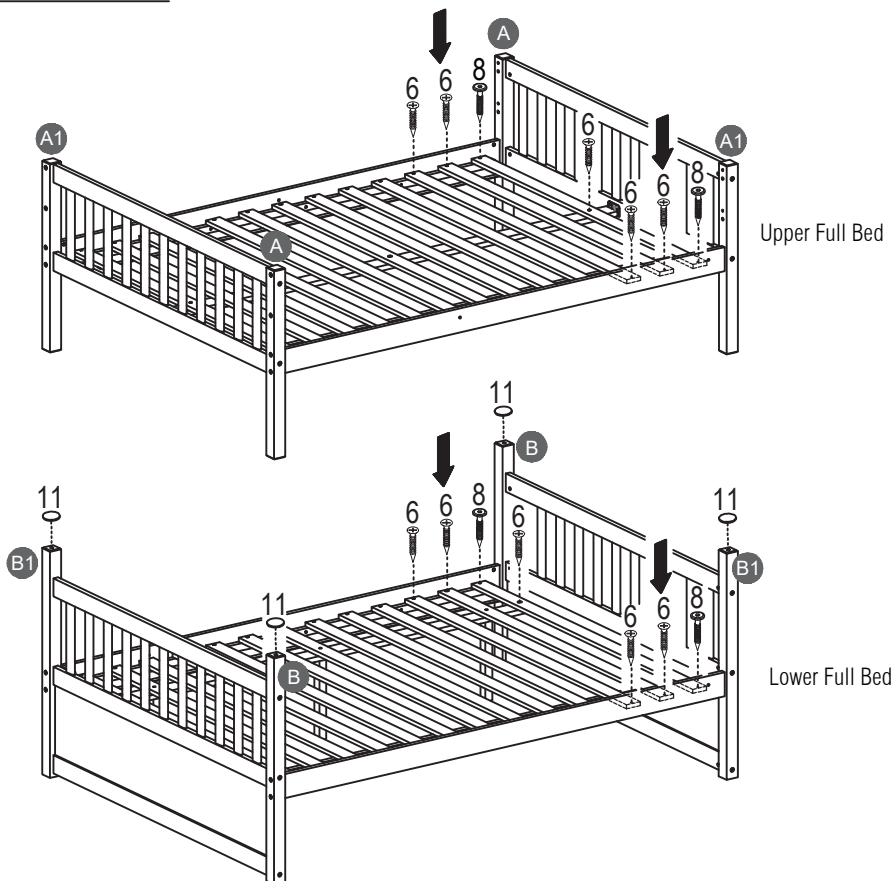
STEP 2:



STEP 3:



STEP 4:



11



4PCS

