

#### IV. ASSEMBLY OF HANDHELD REMOTE CONTROL

[NOTE: If you have already installed the wall control but do not wish to use the handheld remote control, please proceed to Part V.]

- A. Gently pull on remote control cover to separate top and bottom parts. (See Fig. 6)
- B. In order to use wall control as a handheld remote control, cut each wire on one of the wall controls--use wire cutters to cut off each wire as close to the wall control as possible. (See Fig. 7)
- C. Install one 12-volt battery (included) in wall control. (See Fig. 7)
- D. The dimmer switch (labeled **DIM** and **ON**) has been pre-set to the "ON" position (**DIM**). If you do not wish to have dimming capability or are using bulbs that are not capable of being dimmed, please move the switch to the "OFF" position (**ON**). (See Fig. 7)  
**NOTE:** Most LED and compact fluorescent bulbs are not compatible for use with dimmer controls.
- E. Attach **black faceplate** to front of wall control; press down firmly. (See Fig. 8)
- F. Align holes in wall control with posts located on inside of TOP part of remote control cover and press together firmly. Place wall control into BOTTOM part of remote control cover, aligning posts in top of remote control cover with post holes in the bottom. (**NOTE:** Make sure to align narrower ends of remote control cover before closing.) Squeeze top and bottom of remote control cover together until you hear a click at each end, indicating that the remote control cover has closed completely. (See Fig. 8)

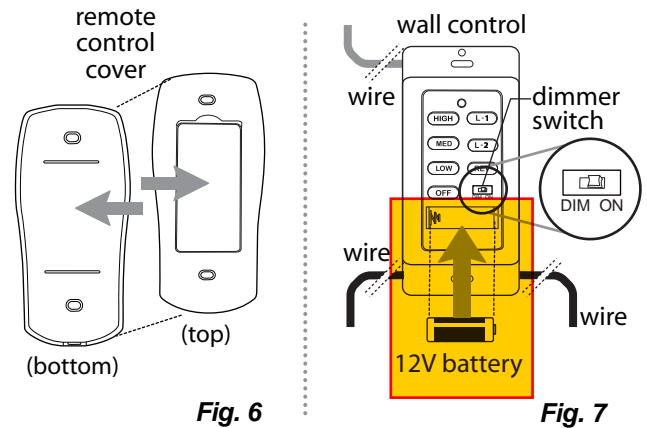


Fig. 6

Fig. 7

#### V. AUTOMATED LEARNING PROCESS/ACTIVATING CODE

**CAUTION:** The wall control/handheld remote control can be programmed to multiple receivers or fans. If this is **not** desired, turn wall switch off to any other programmable receiver or fan.

- A. Restore electrical power and then, if using wall control, set slider switch on wall control to the ON position. Within 60 seconds of turning on the wall control, press and hold the **OFF** button on the wall control for 5 seconds or until the fan switches to MEDIUM speed (or, if applicable, until the light blinks twice).
- B. **Turn power off again for at least 5 seconds** and then turn power back on. Within 60 seconds of restoring the power, press and hold the **OFF** button on the handheld remote control for 5 seconds or until the fan switches to MEDIUM speed (or, if applicable, until the light blinks twice).
- C. Test the fan function (and, if applicable, the light function) to confirm the learning process is complete.

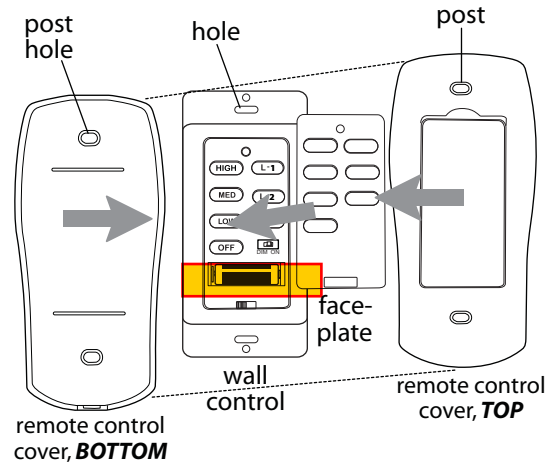


Fig. 8

#### VI. REMOTE CONTROL--CARE AND OPERATION

- A. Store the remote control away from excess heat or humidity.
- B. To prevent damage to remote control, remove the battery if not used for long periods of time.
- C. Operation buttons on front panel of remote/wall control (See Fig. 9):

	<b>button</b>	for fan speed HIGH
	<b>button</b>	for fan speed MEDIUM
	<b>button</b>	for fan speed LOW
	<b>button</b>	for fan speed OFF
	<b>button</b>	for lighted housing (or up-light) BRIGHTNESS and ON/OFF [not applicable on all fan models]
	<b>button</b>	for light kit BRIGHTNESS and ON/OFF [light kit sold separately]
	<b>button</b>	for blade direction, REVERSE (fan must be set on <b>low</b> before reversing blade direction)
	<b>slider switch</b>	for wall control ON/OFF (switch not functional on handheld remote)

The light function is controlled by pressing the L1 or L2 button. Hold the L1 or L2 button down to increase or decrease light. Tap button quickly to turn light(s) off or on. If you press button in excess of 0.7 seconds it becomes a dimmer. The light varies cyclically in 0.8 seconds. The light button has auto resume, so the light will stay at the same brightness as the last time it was turned off.

#### VII. TROUBLESHOOTING GUIDE

Remote and/or wall control fail(s) to operate:

1. Make sure there is power to the receiver.
2. Make sure the switch housing has been re-wired correctly.
3. Make sure the battery in the handheld remote control and/or the wall control is good.
4. The learning process between fan, handheld remote control and, if applicable, wall control may not have been successful. Turn power off and repeat Part V (Automated Learning Process) above.

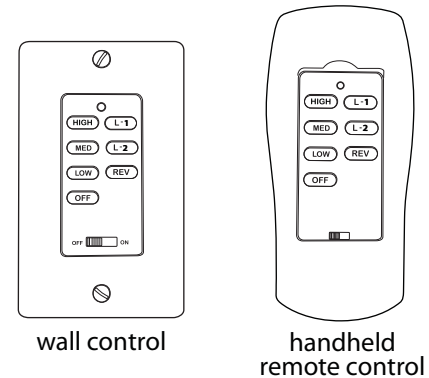


Fig. 9

**CAUTION:**  
 TO REDUCE THE RISK OF FIRE OR ELECTRIC SHOCK, DO NOT USE THE FAN WITH ANY SOLID STATE SPEED CONTROL DEVICE OR CONTROL FAN SPEED WITH A FULL RANGE DIMMER SWITCH.