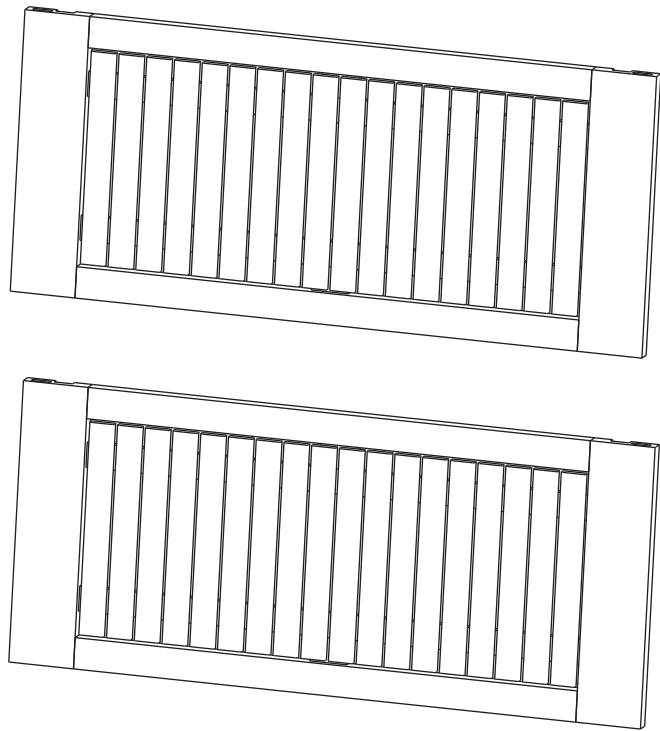
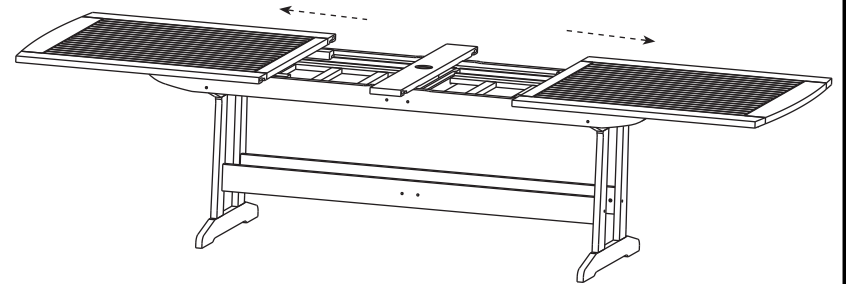


COMPONENTS

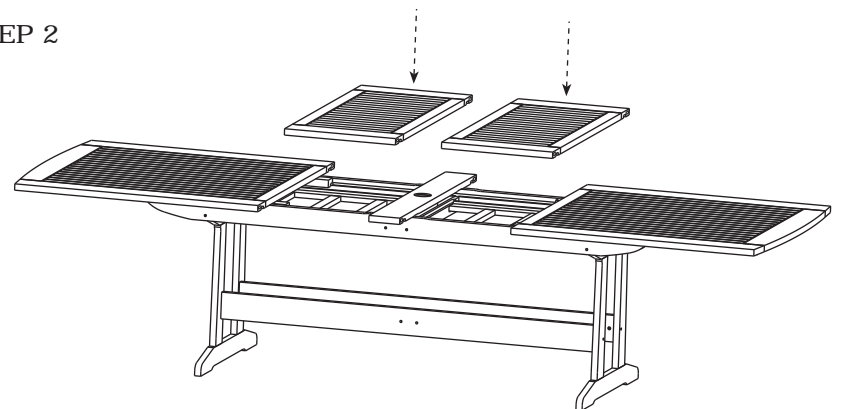


101

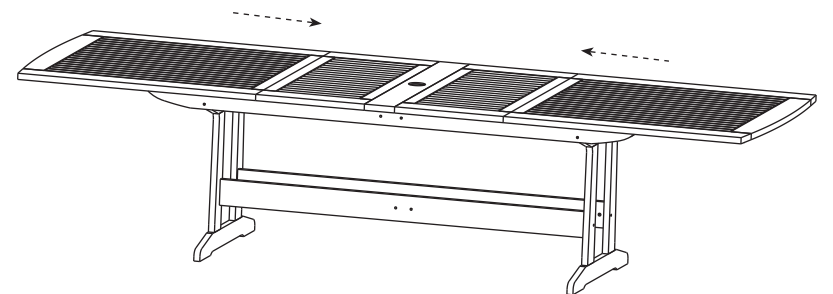
STEP 1



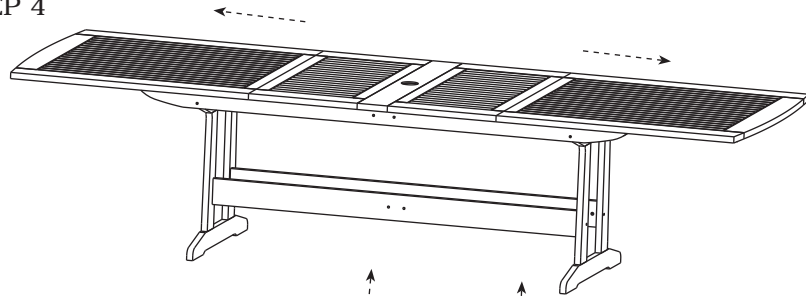
STEP 2



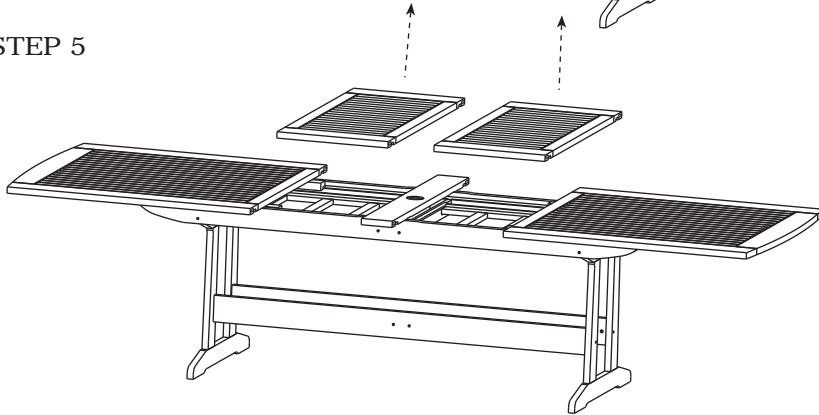
STEP 3



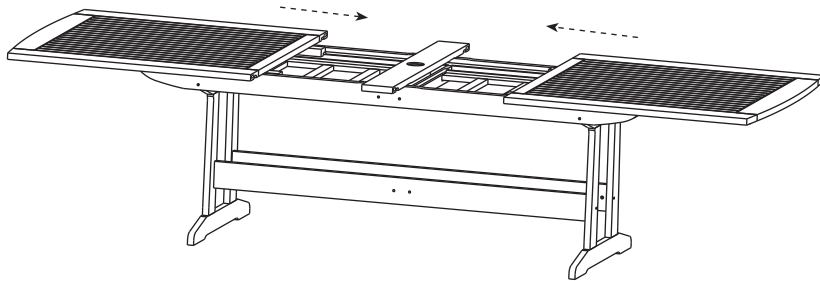
STEP 4



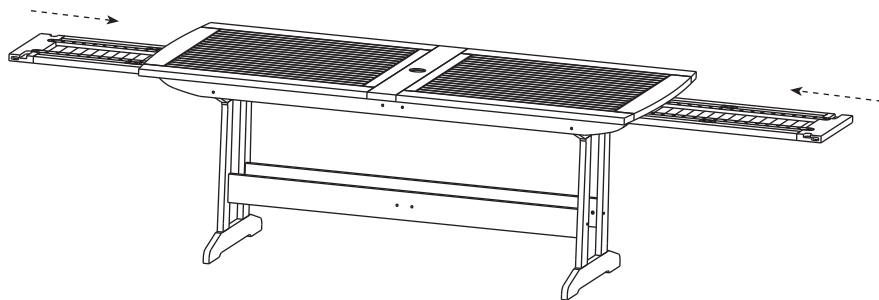
STEP 5



STEP 6



STEP 7



RICHMOND SMALL EXTENSION
2 PCS 12" (#6494S)

65260

Assembly Instructions

