

INSTALLATION

Product Manual



IMPORTANT INFORMATION!

please read the entire manual before starting to assemble and/or using this product, follow the manual thoroughly and keep it for further reference.



AVOID SCRATCHES!

In order to avoid scratching this furniture should be assembled on a soft layer-could be a rug.



IMPROVE EFFICIENCY !

Try to find a partner to install with you, which can speed up the installation efficiency and shorten the time.



ANTI-TOPPLE WARNING !

Overturnd furniture can cause serious or fatal crush injuries. To prevent tipping over, be sure to use the wall attachment, if not included with this product. Please purchase the wall attachment that fit your wall. If unsure, seek professional advice. Please read and follow each step of the instructions carefully.

IMPORTANT !

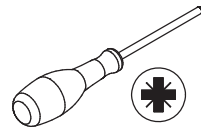
It is important that any product which is assembled using any kind of screw is re-tightened 2 weeks after assembly, and once every 3 months - in order to assure stability through-out the lifespan of the product.

For regular maintenance and cleaning of the product, for the frame, please use a rag dipped in neutral detergent to fully wipe it, and then dry it with a clean rag. For glass materials, wipe with a rag dampened with water glass cleaner, and then dry with a dry rag.

Do not use an electric screwdriver, and do not use too much force when installing, because the board is easy to break.

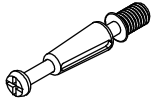


Please prepare the following tools



When installing, please carefully confirm whether each screw corresponds to the manual, accessories with similar shapes can be distinguished by size

A x 32



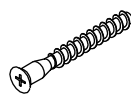
∅6 x 40 mm

B x 32



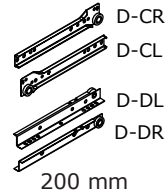
∅15 x 9.5 mm

C x 29



M5 x 40 mm

D x 2



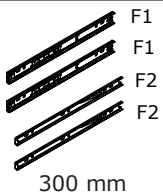
200 mm

E x 44



M4 x 14 mm

F x 1



300 mm

G x 5



M5 x 30 mm

H x 4

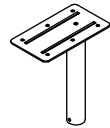


M4 x 12 mm

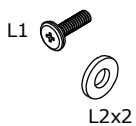
J x 8



K x 1



L x 9



M6 x 16 mm

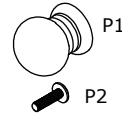
M x 1



N x 4



P x 3



Q x 12



M3.5 x 12 mm

R x 8



M3.5 x 18 mm

S x 2



T x 2

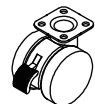


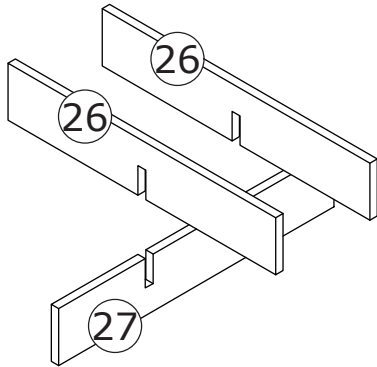
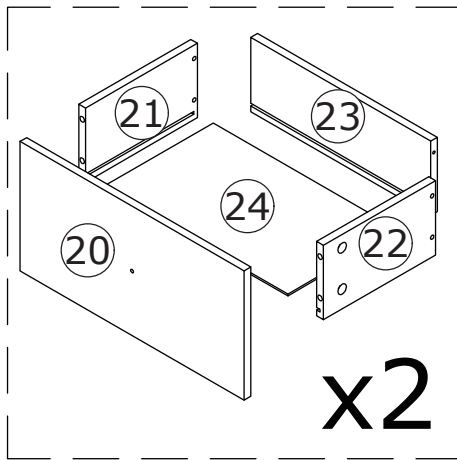
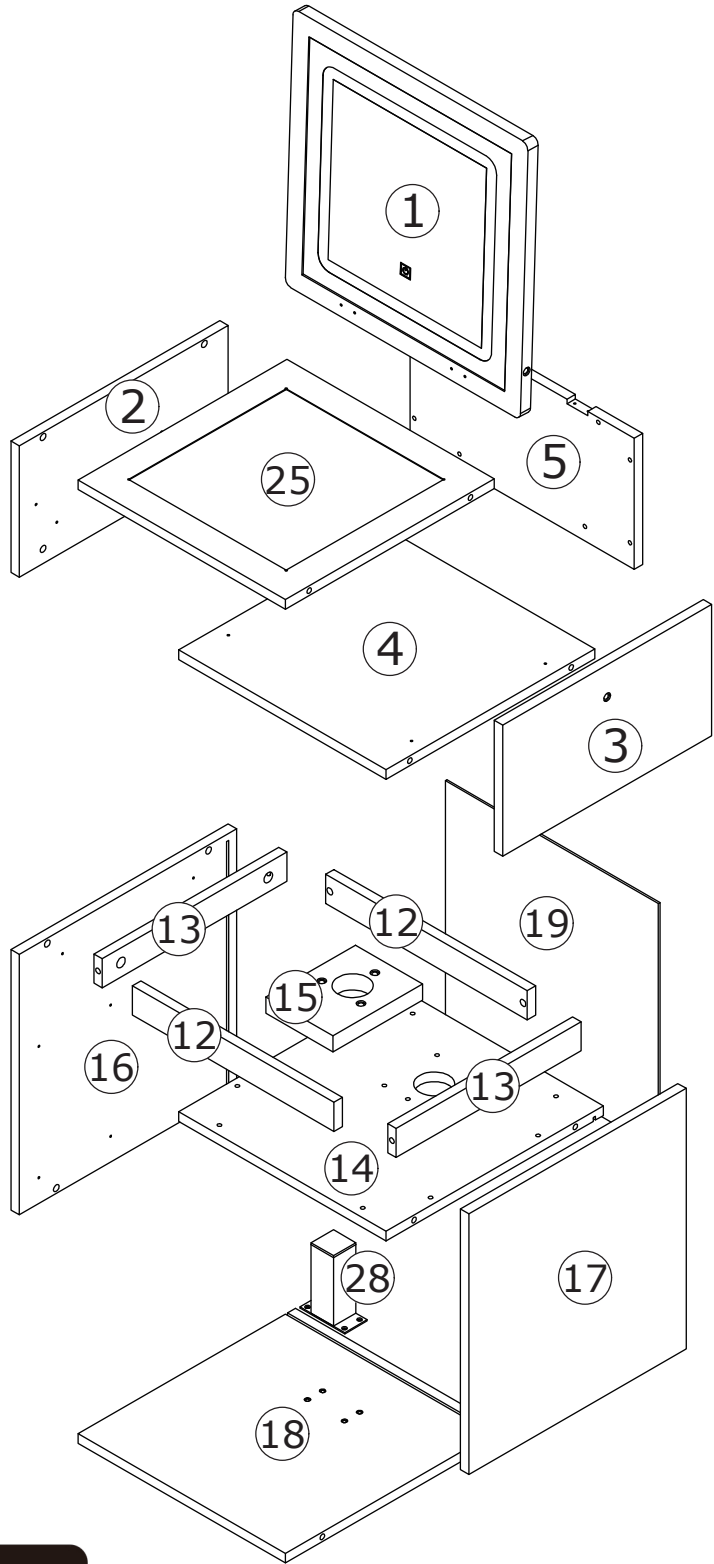
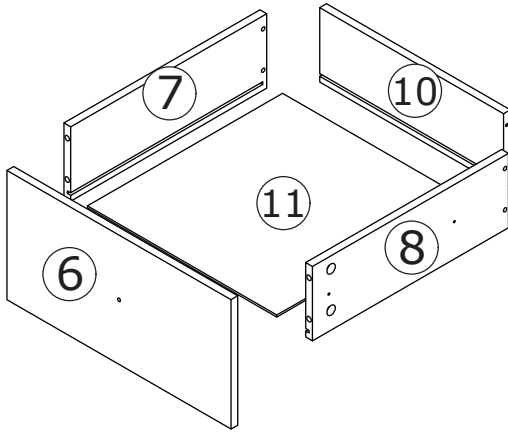
M6 x 8 mm

U x 1



V x 4





⚠ WARNING

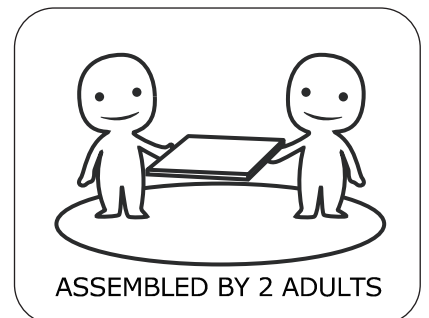


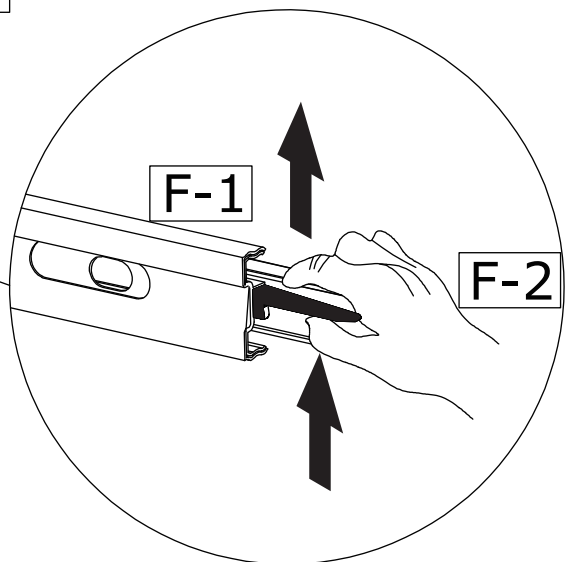
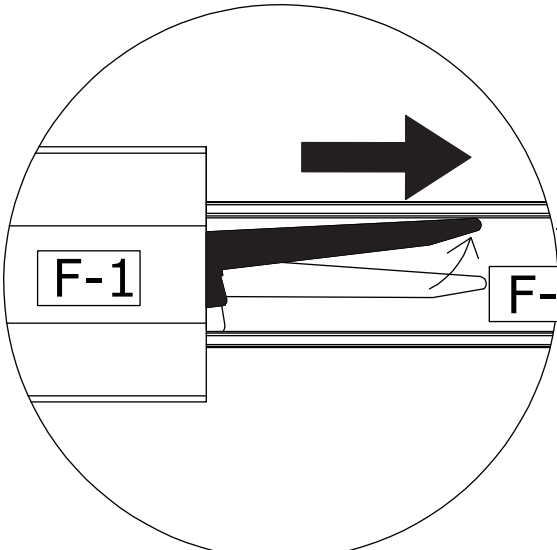
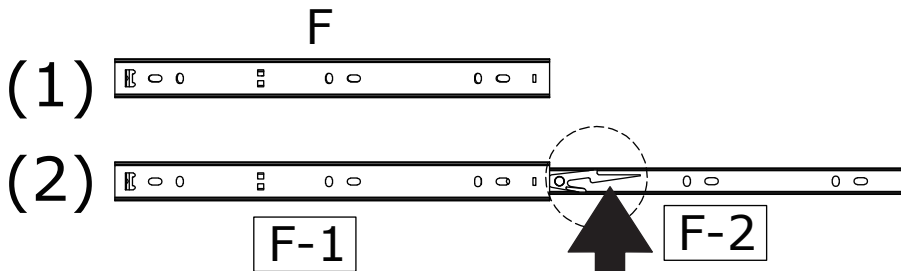
Children have died from furniture tipover. To reduce the risk of furniture tipover:

- ALWAYS install Anti-tip device provided.
- NEVER put a TV on this product.
- NEVER allow children to stand, climb or hang on drawers, doors, or shelves.
- NEVER open more than one drawer at a time.
- Place heaviest items in the lowest drawers.

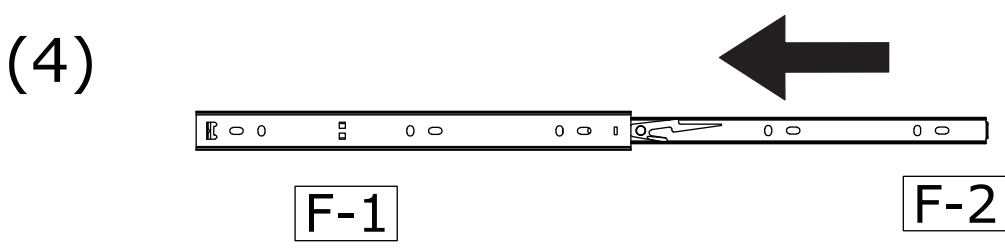
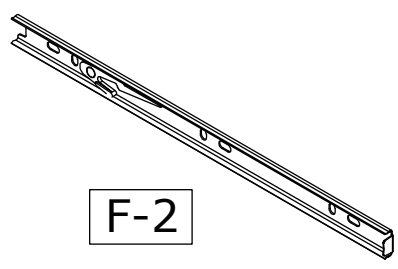
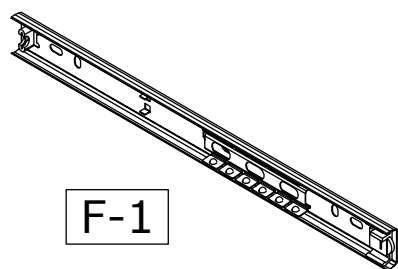
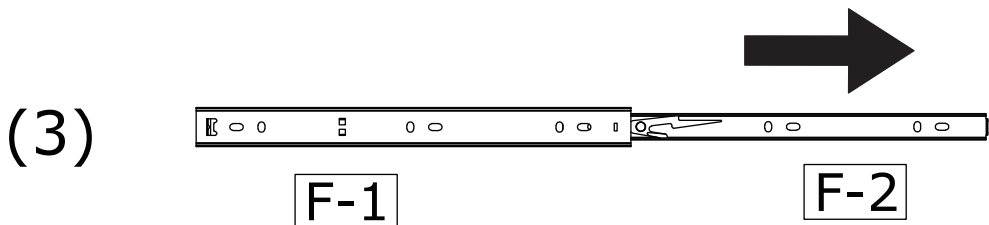


*This is a permanent label.
Do not remove!*

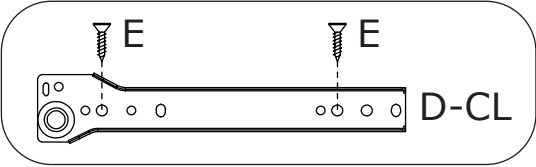
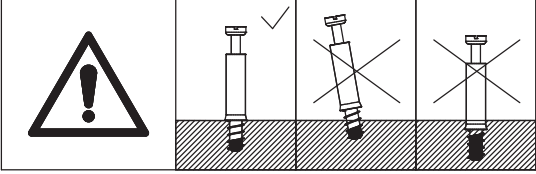
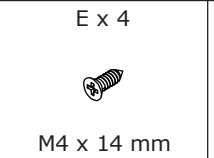
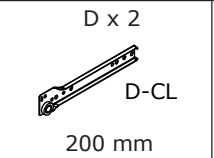
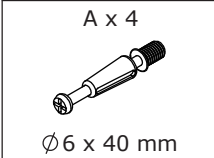




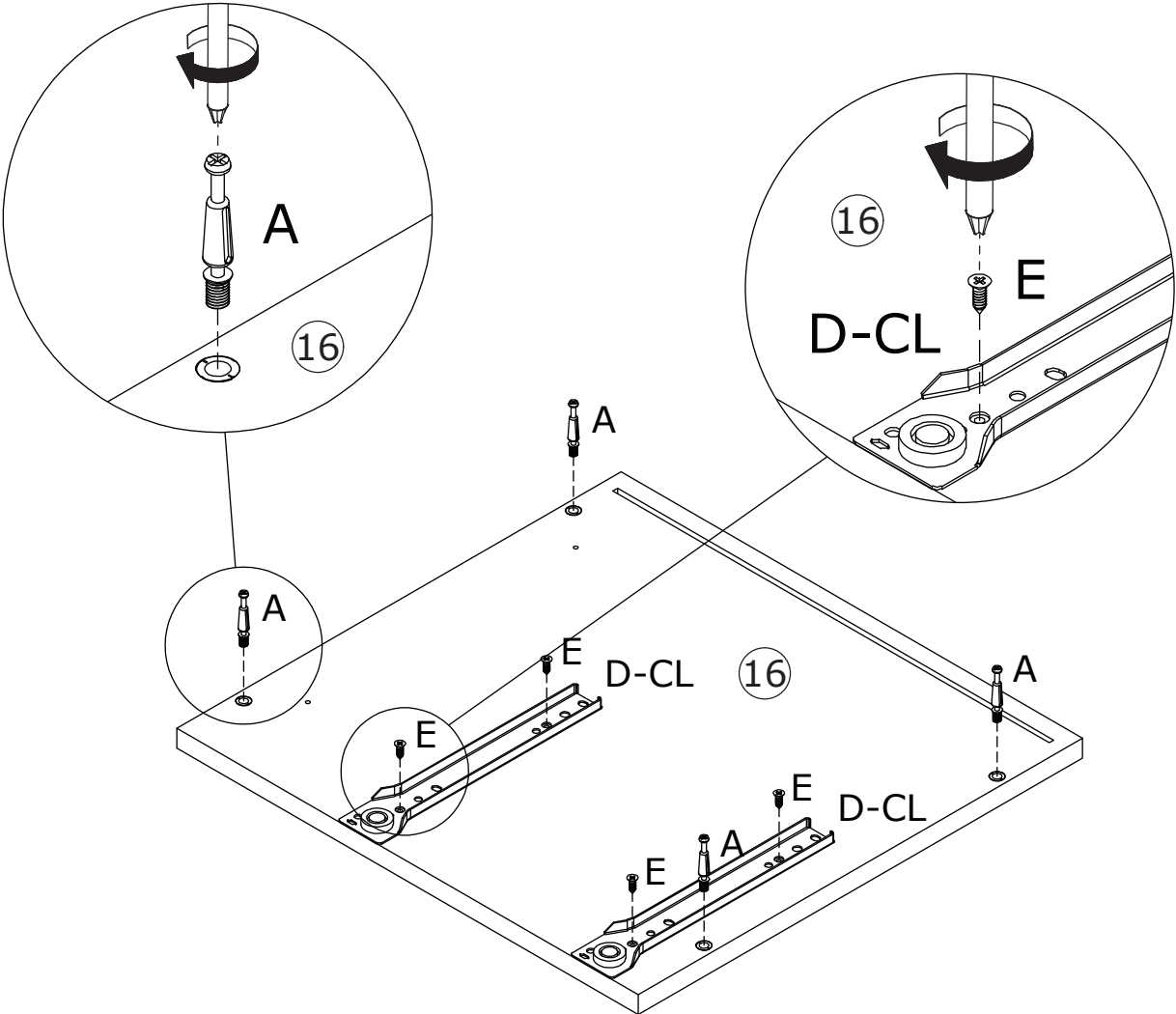
Move the black paddle upward and pull out (F-2) to the right.



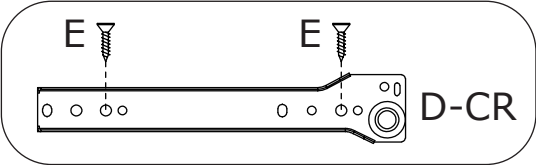
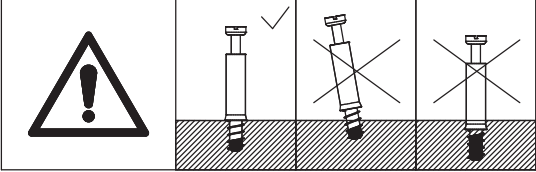
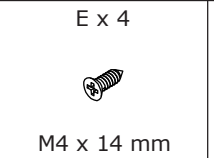
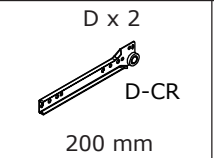
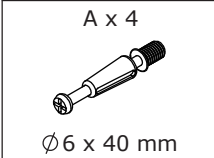
1



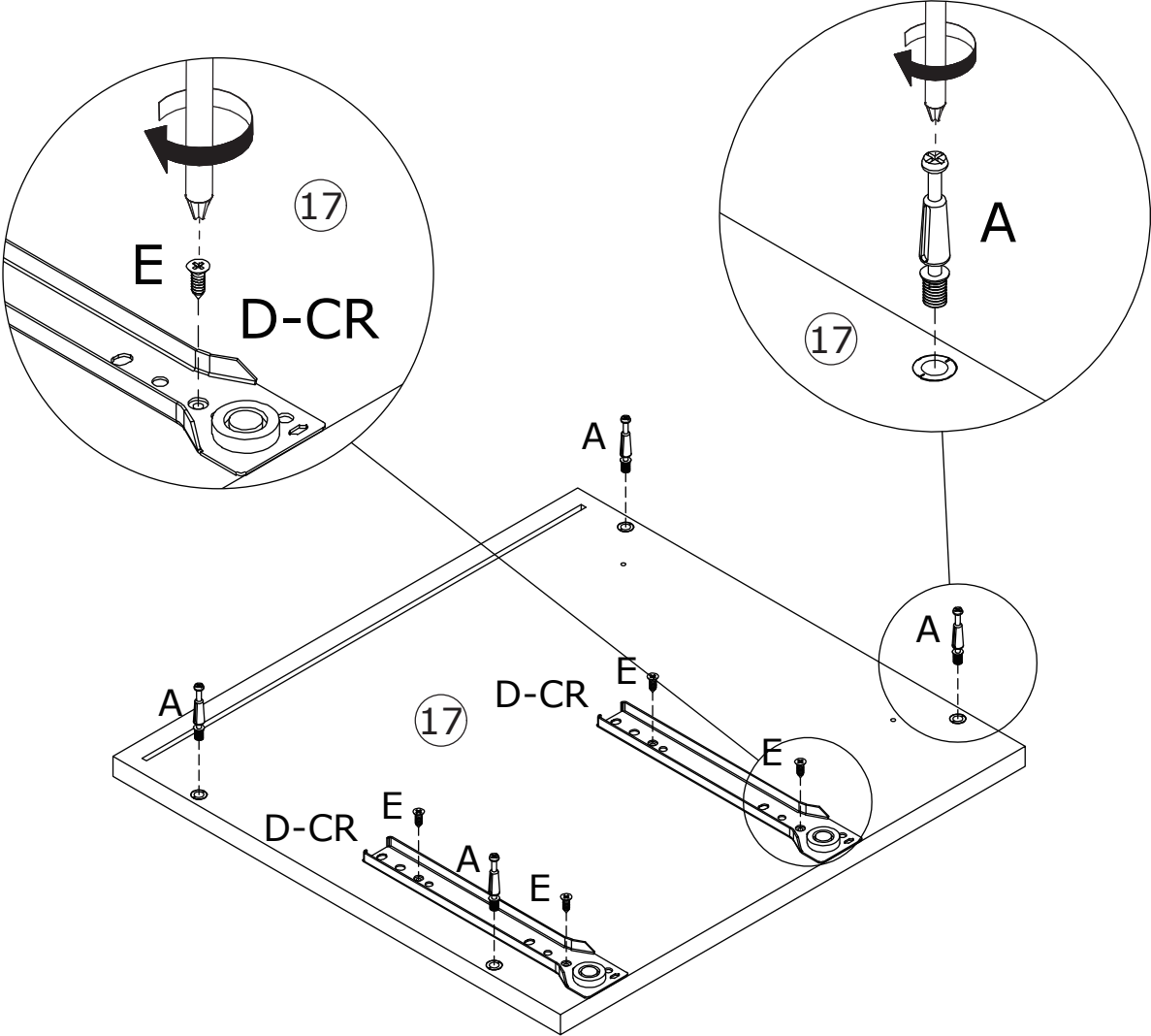
Use screw E to fix slid rail (D-CL) to the wooden board 16, and then install the screw rod A onto the wooden board 16.



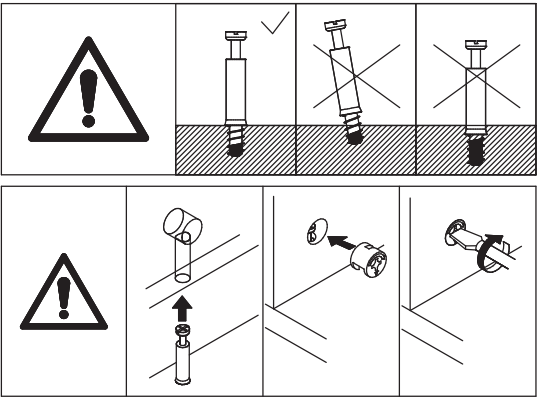
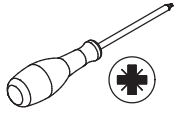
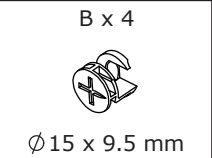
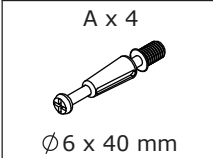
2



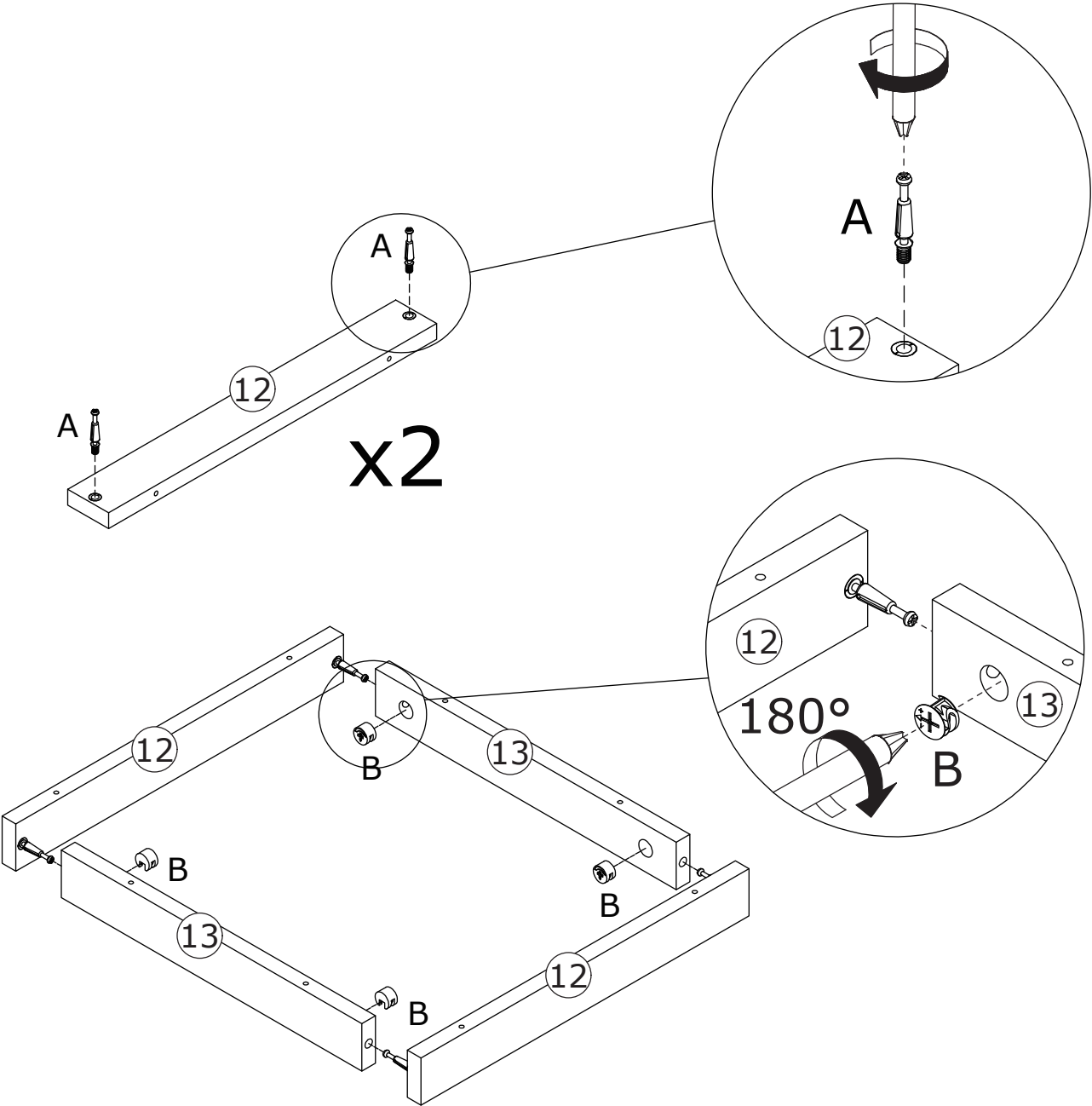
Use screw E to fix the sliding rail D (D-CR) to the wooden board 17, and then install the screw rod A.



3



Install the screw rod A onto wooden board 12.
Connect wooden boards 12 and 13, then insert the eccentric wheel B and tighten it.

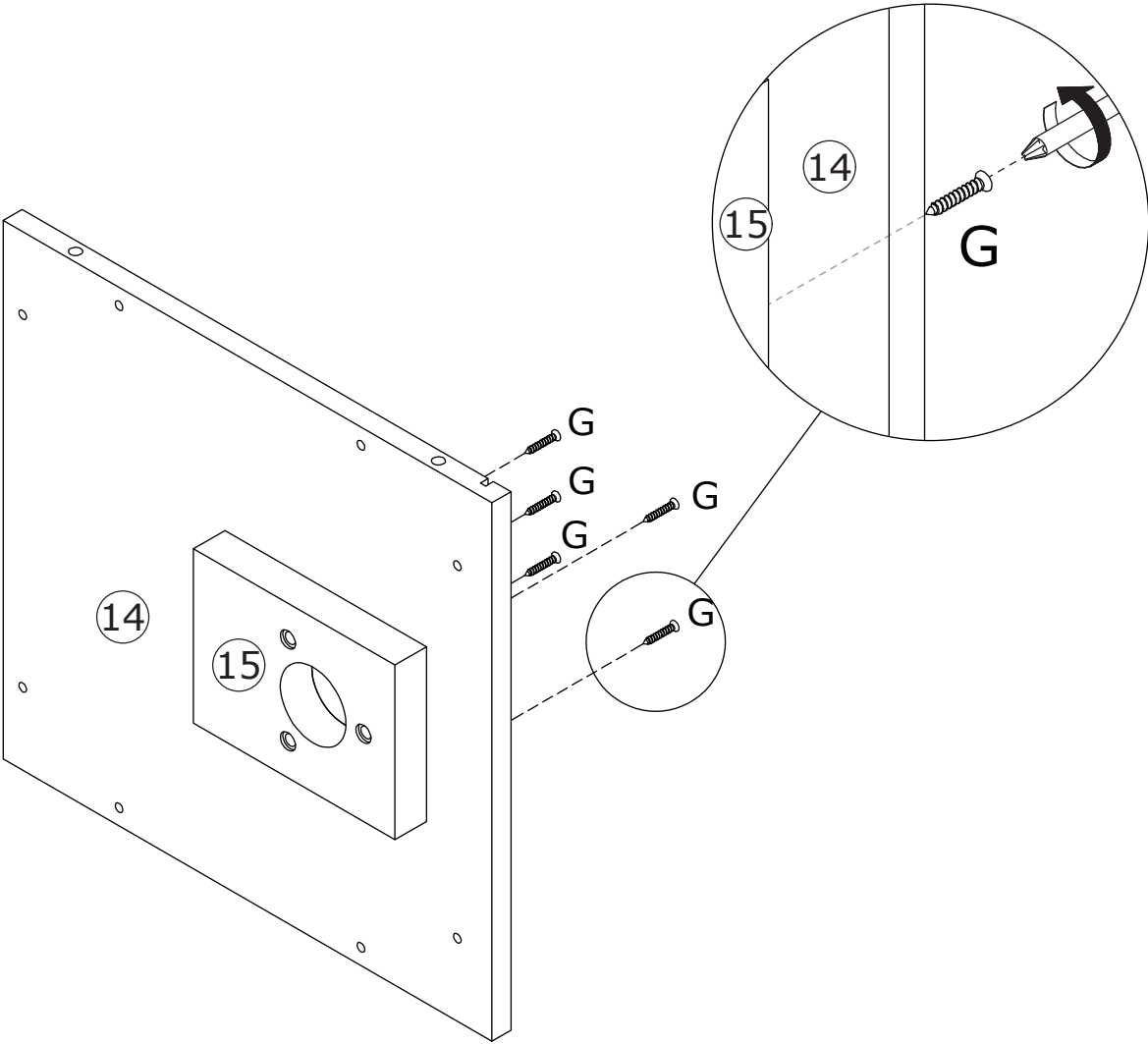


4

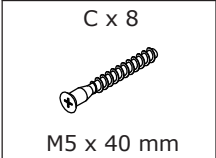
G x 5
M5 x 30 mm



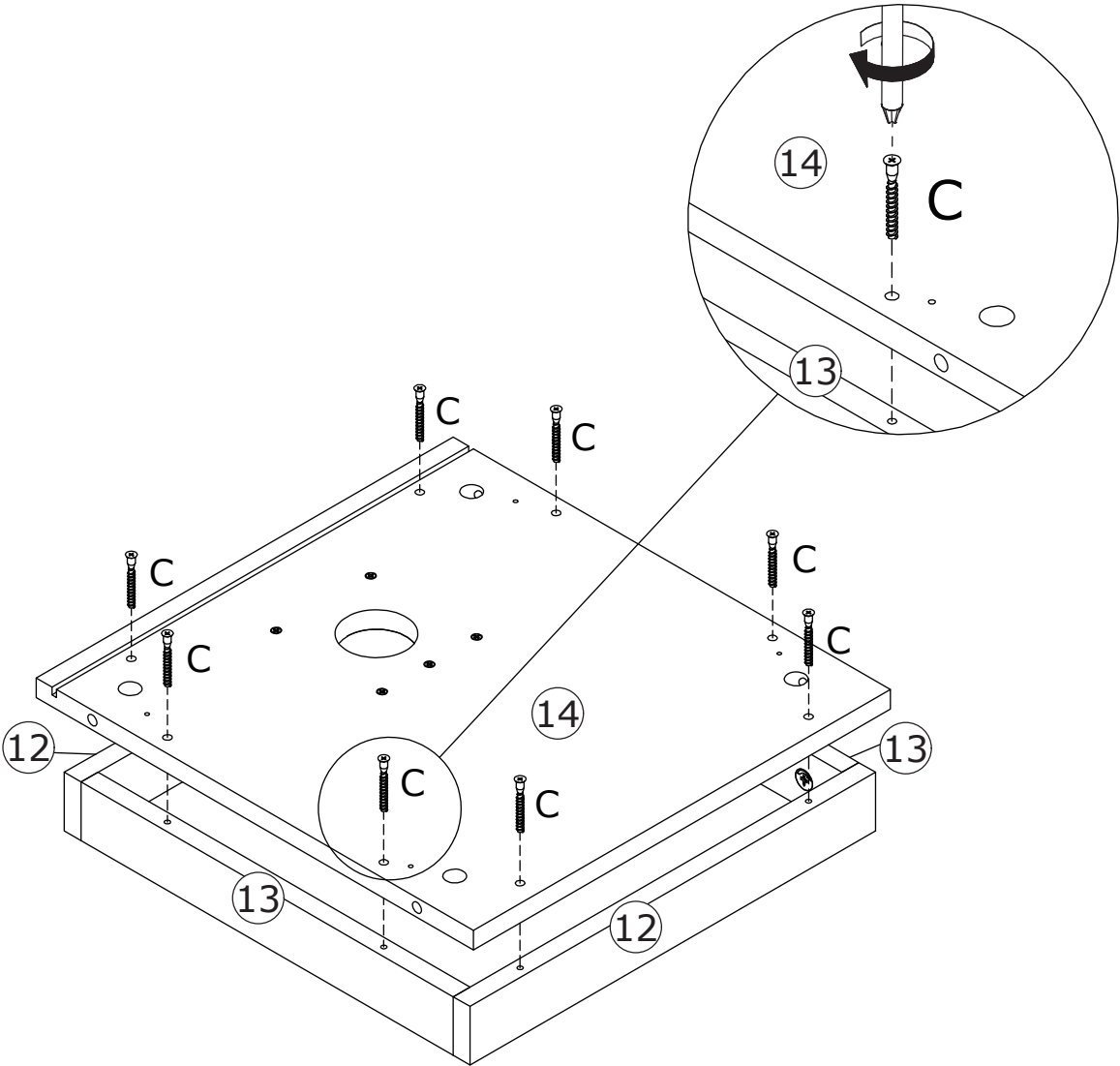
Use screw G to the wooden board 15 to wooden board 14.



5



Use screw C to fix wooden boards 12 and 13 to wooden board 14.

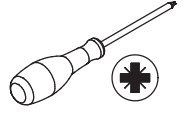


6

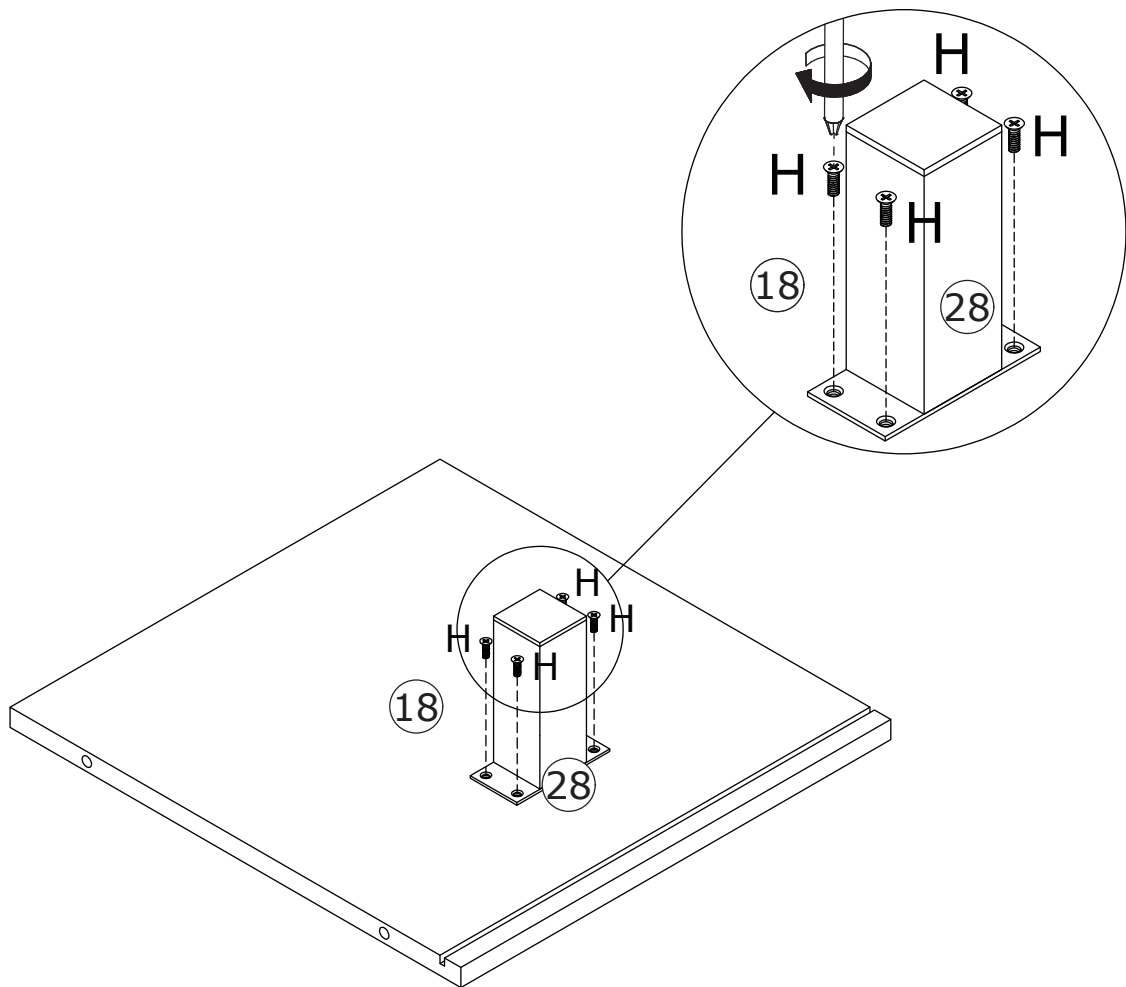
H x 4



M4 x 12 mm

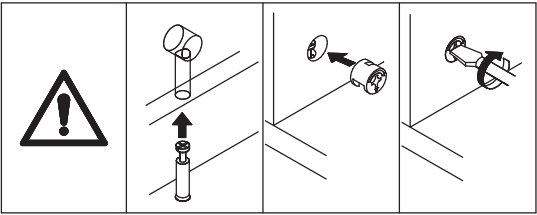
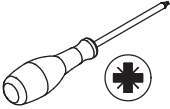


Use screw H to fix the iron pipe 28 to wooden board 18.

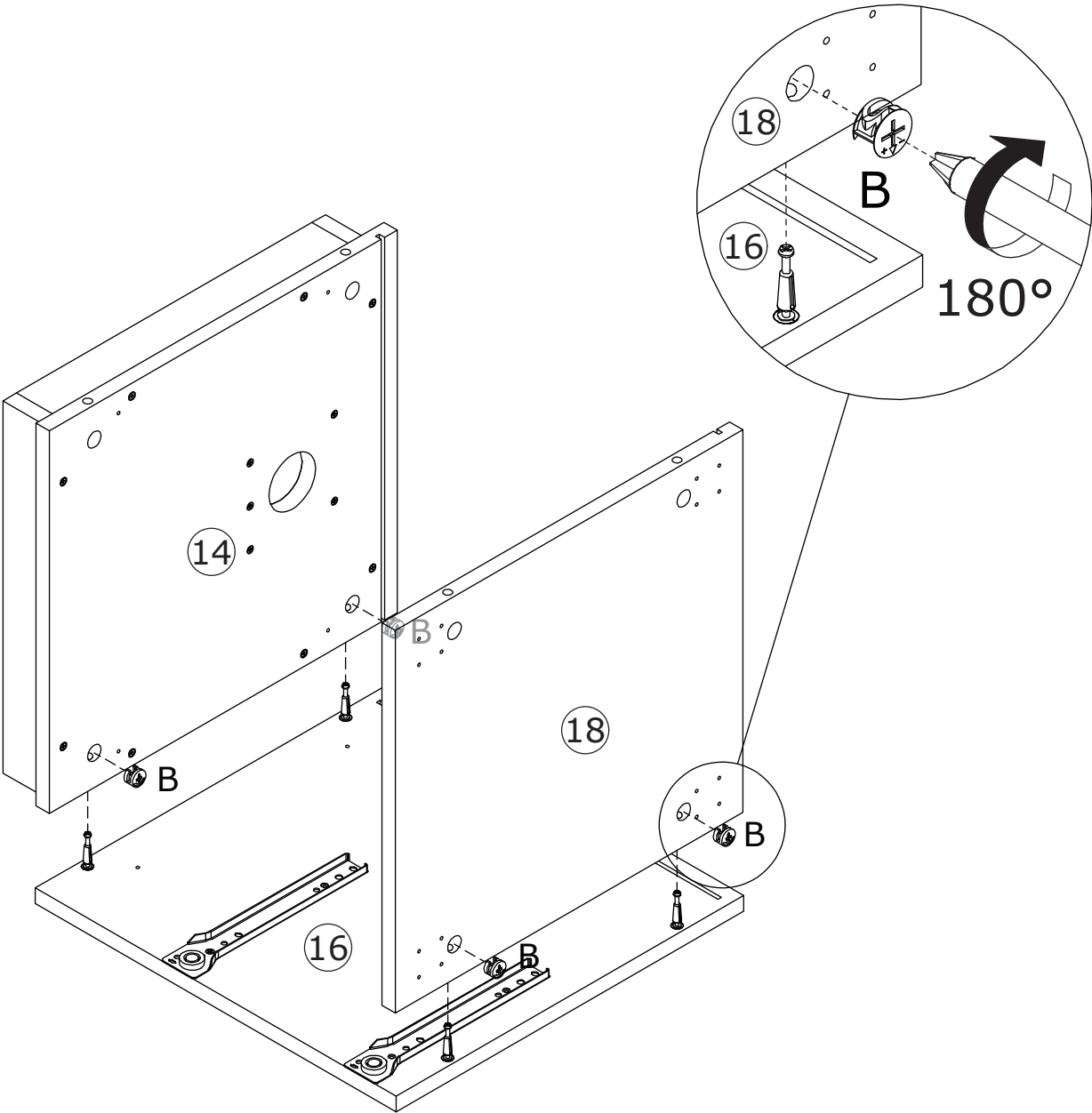


7

B x 4
Ø15 x 9.5 mm



Connect wooden boards 14, 18 to wooden board 16, then insert the eccentric wheel B and tighten it.



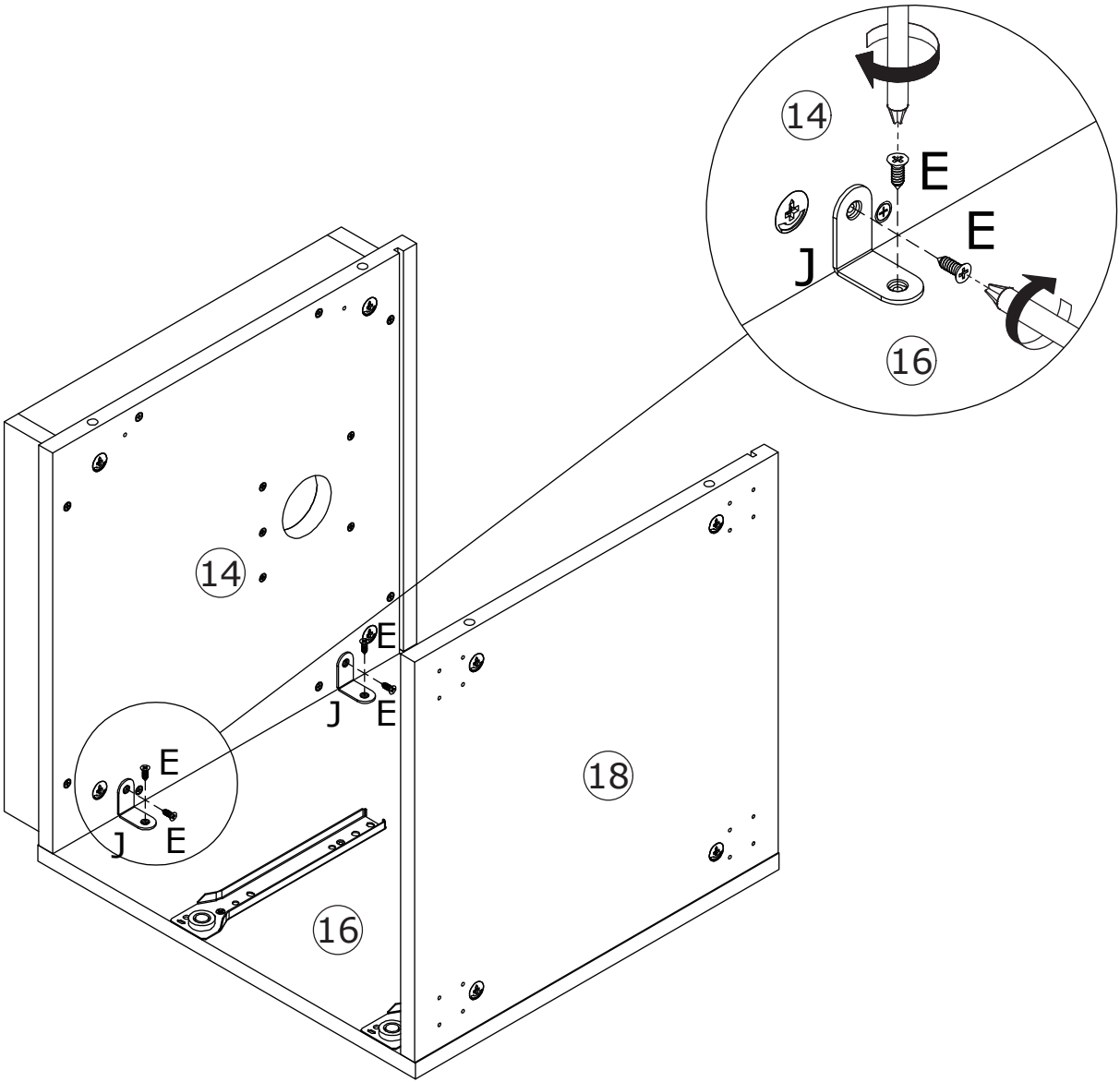
8

E x 4
M4 x 14 mm

J x 2

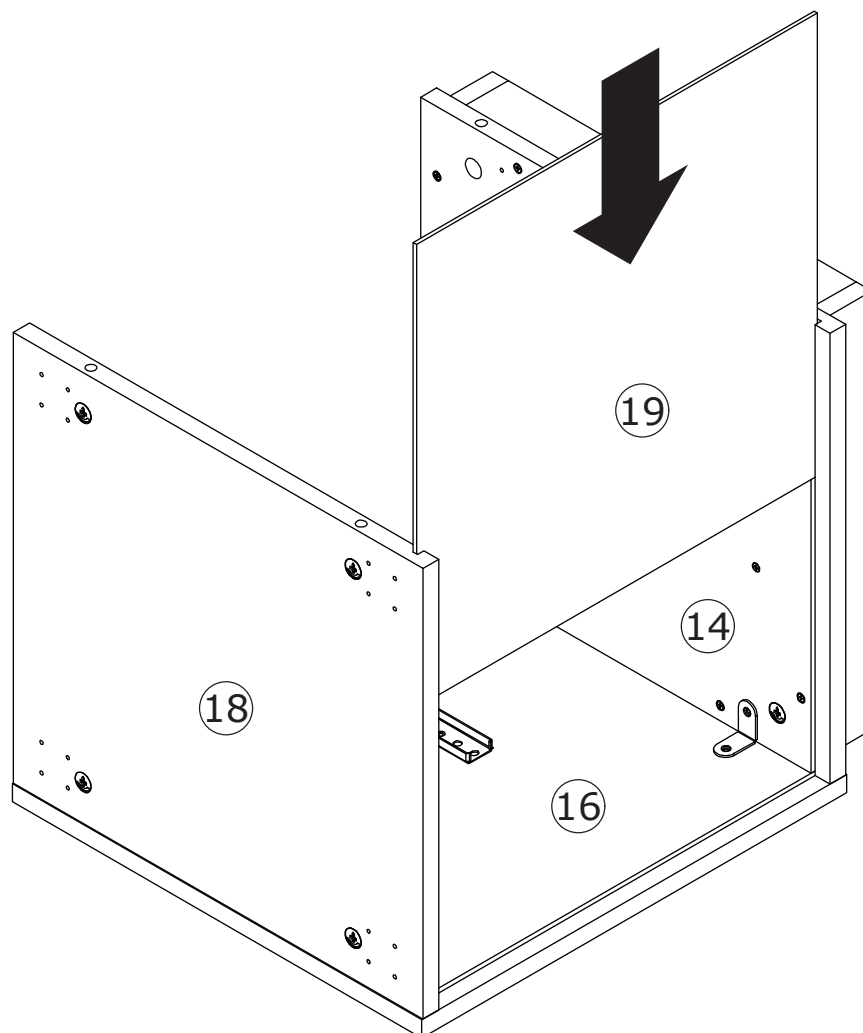


Use screw E to fix the angle iron J to wooden boards 14 and 16.



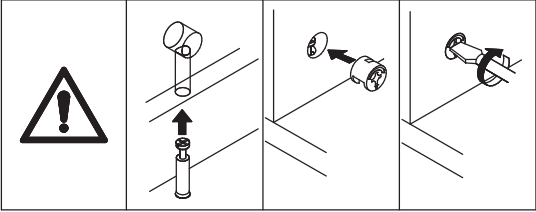
9

Insert the wooden board 19 into the grooves of the wooden boards 14, 16 and 18.

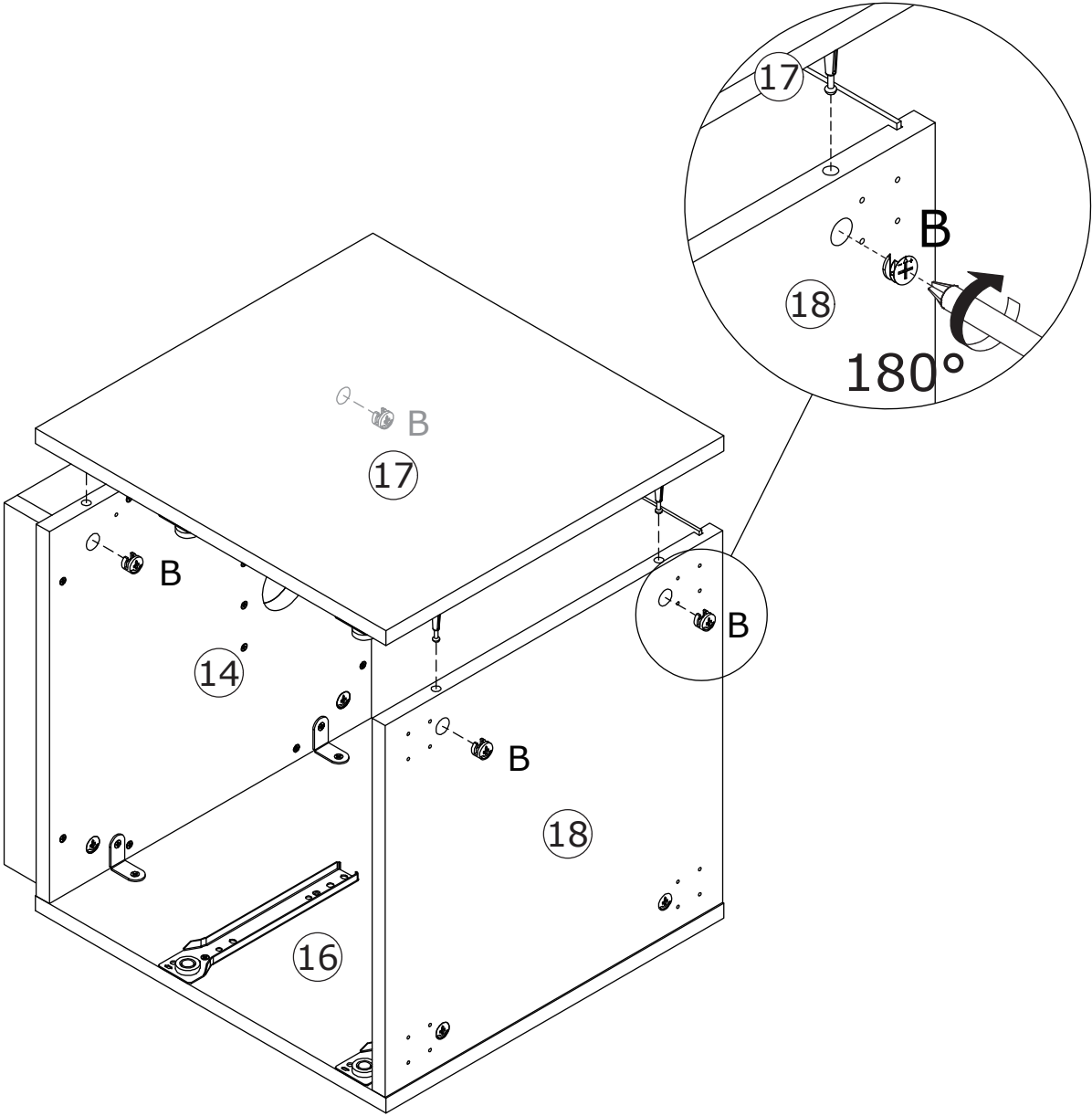


10

B x 4
Ø15 x 9.5 mm



Connect wooden boards 14, 18 to wooden board 17, then insert the eccentric wheel B and tighten it.



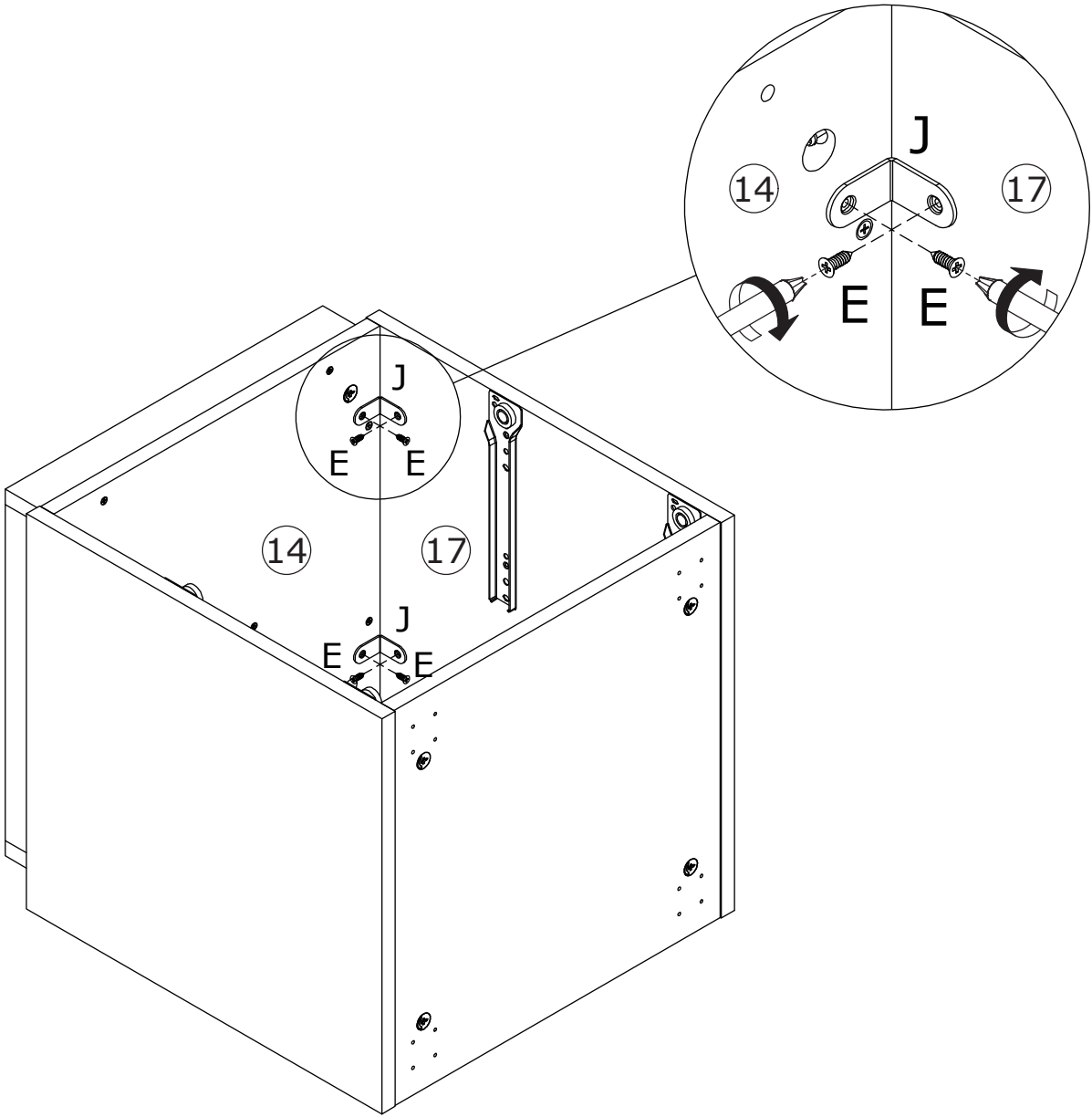
11

E x 4
M4 x 14 mm

J x 2



Use screw E to fix the angle iron J to wooden boards 14 and 17.



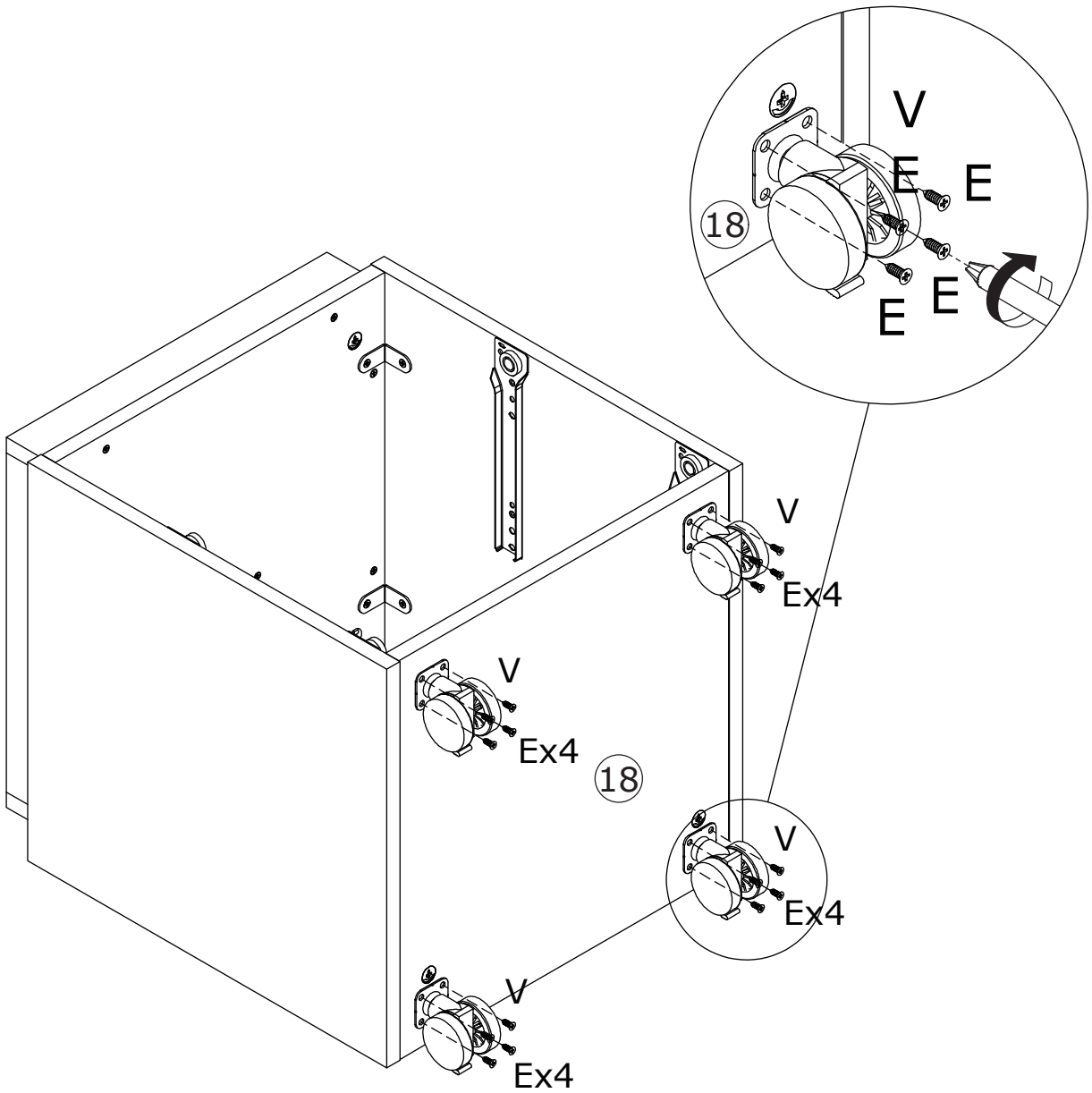
12

E x 16
M4 x 14 mm

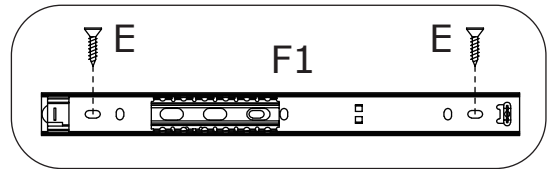
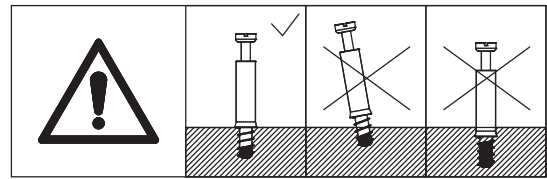
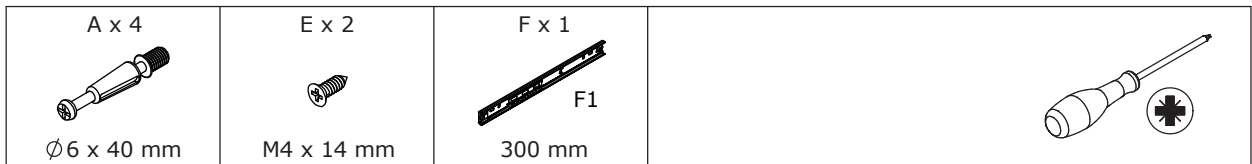
V x 4



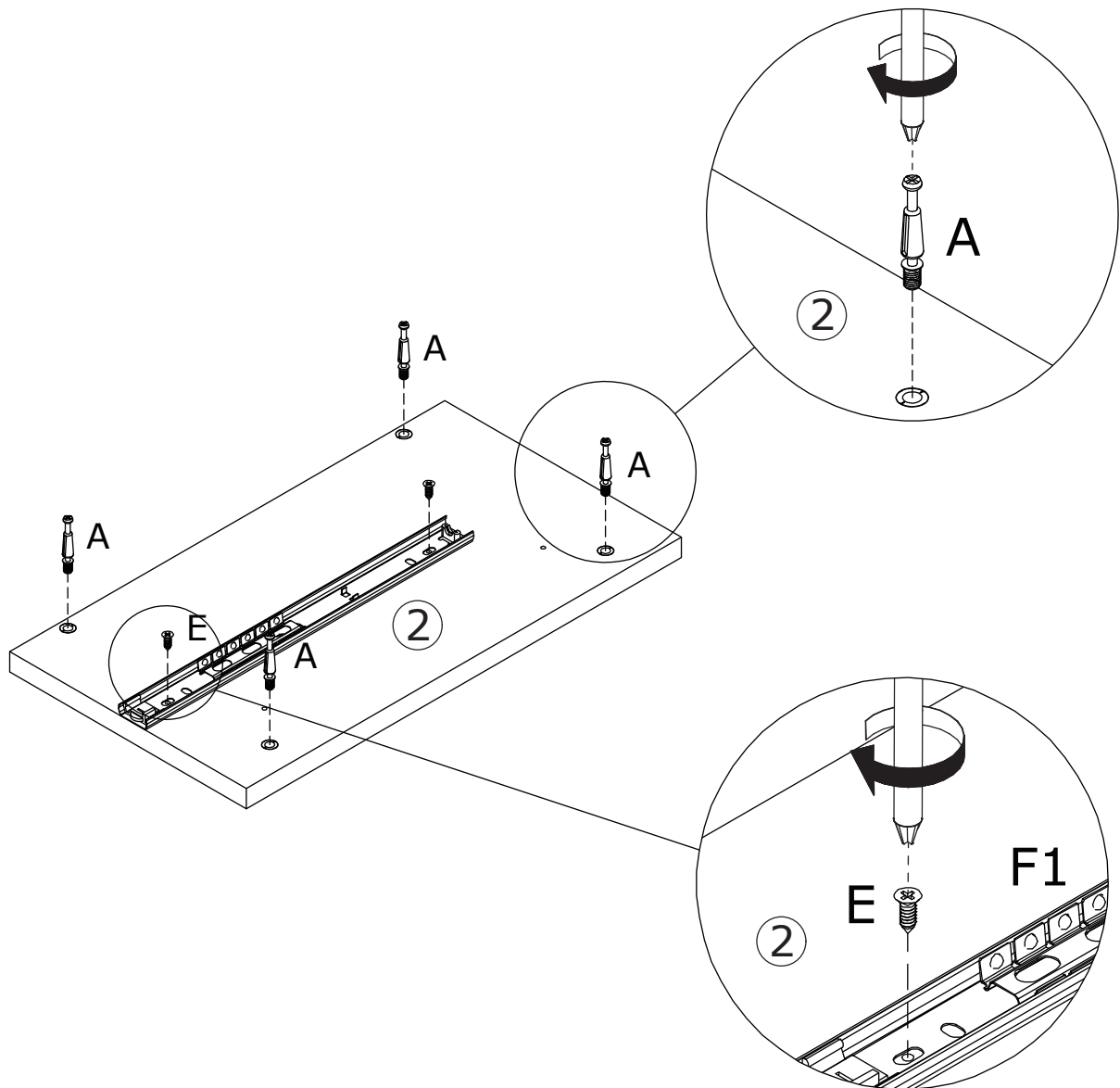
Use screw E to fix the caster V to wooden board 18.



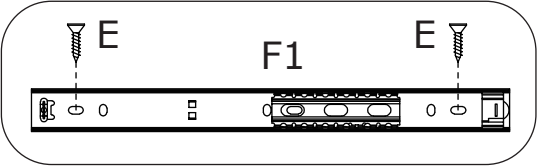
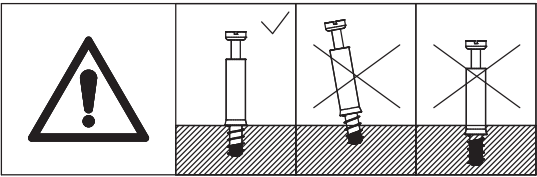
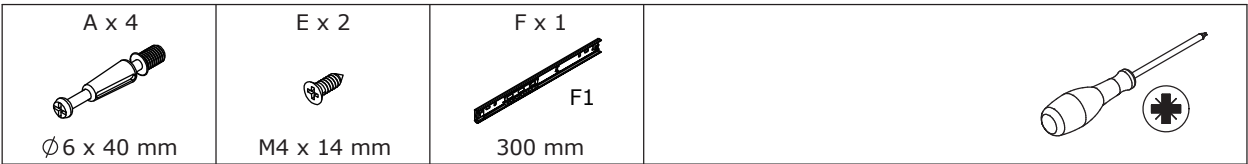
13



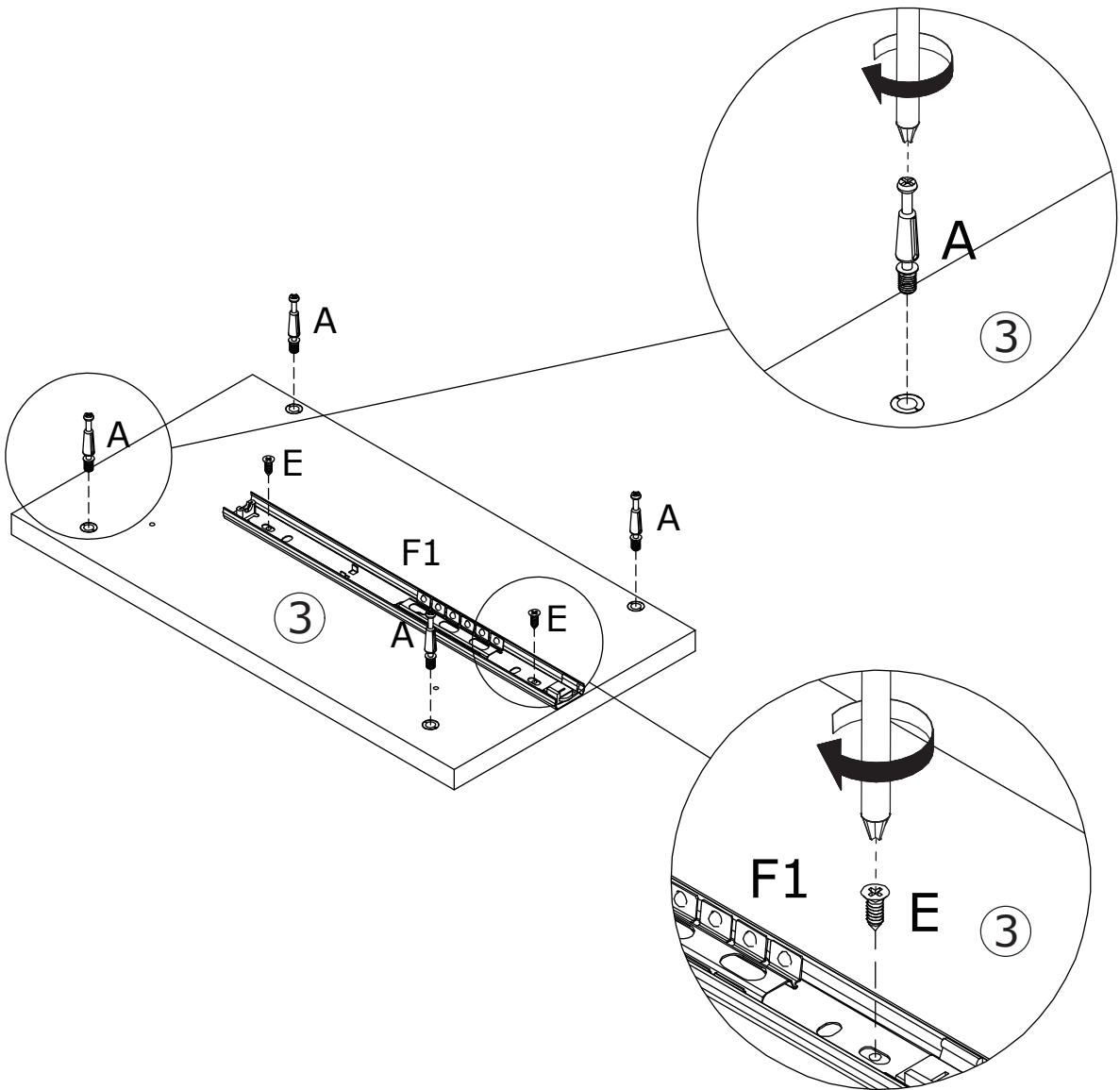
Use screw E to fix slide rail F (F1) to wooden board 2.
Then install the screw rod A onto.



14



Use screw E to fix slide rail F (F1) to wooden board 3.
Then install the screw rod A onto.



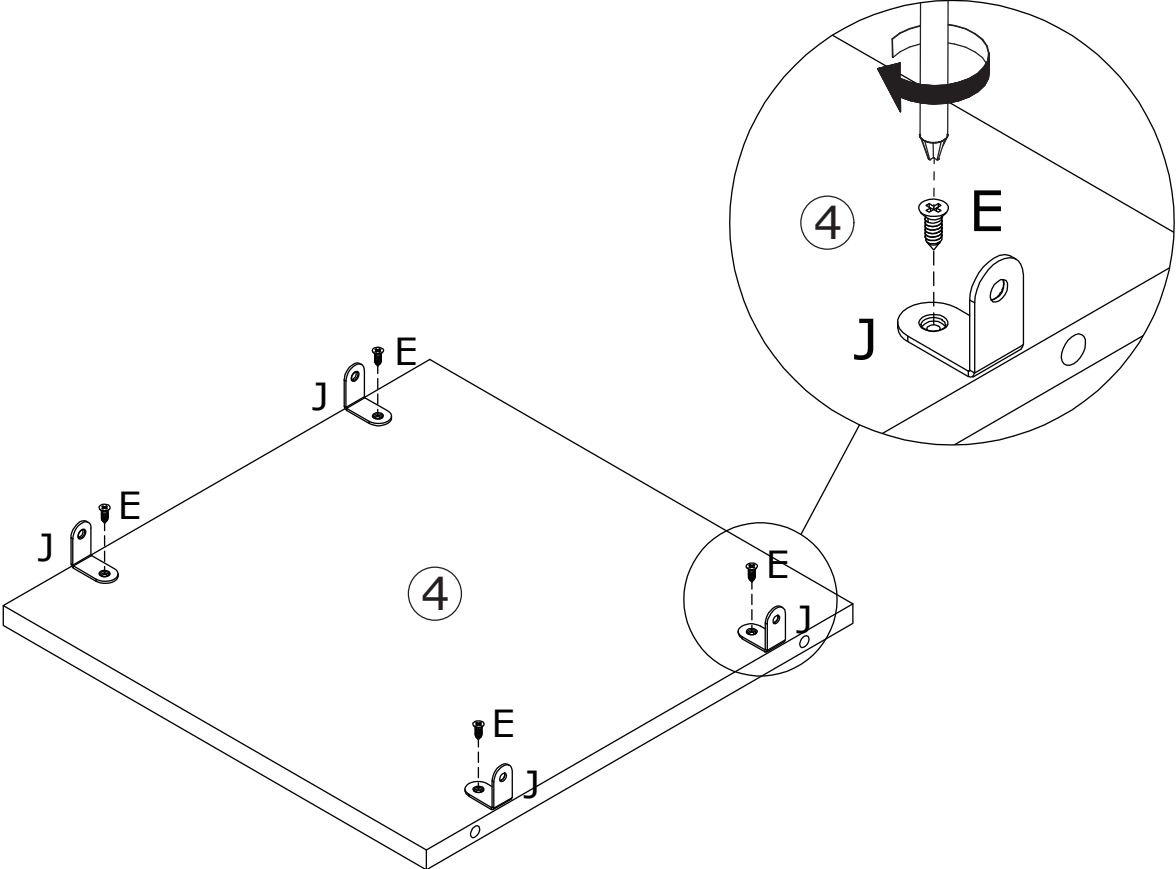
15

E x 4
M4 x 14 mm

J x 4



Use screw E to fix the angle iron J to wooden board 4.

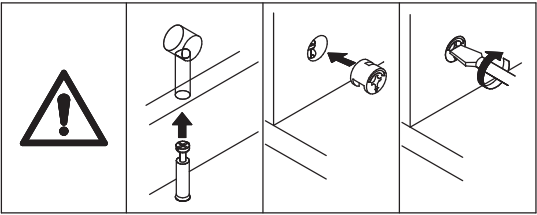


16

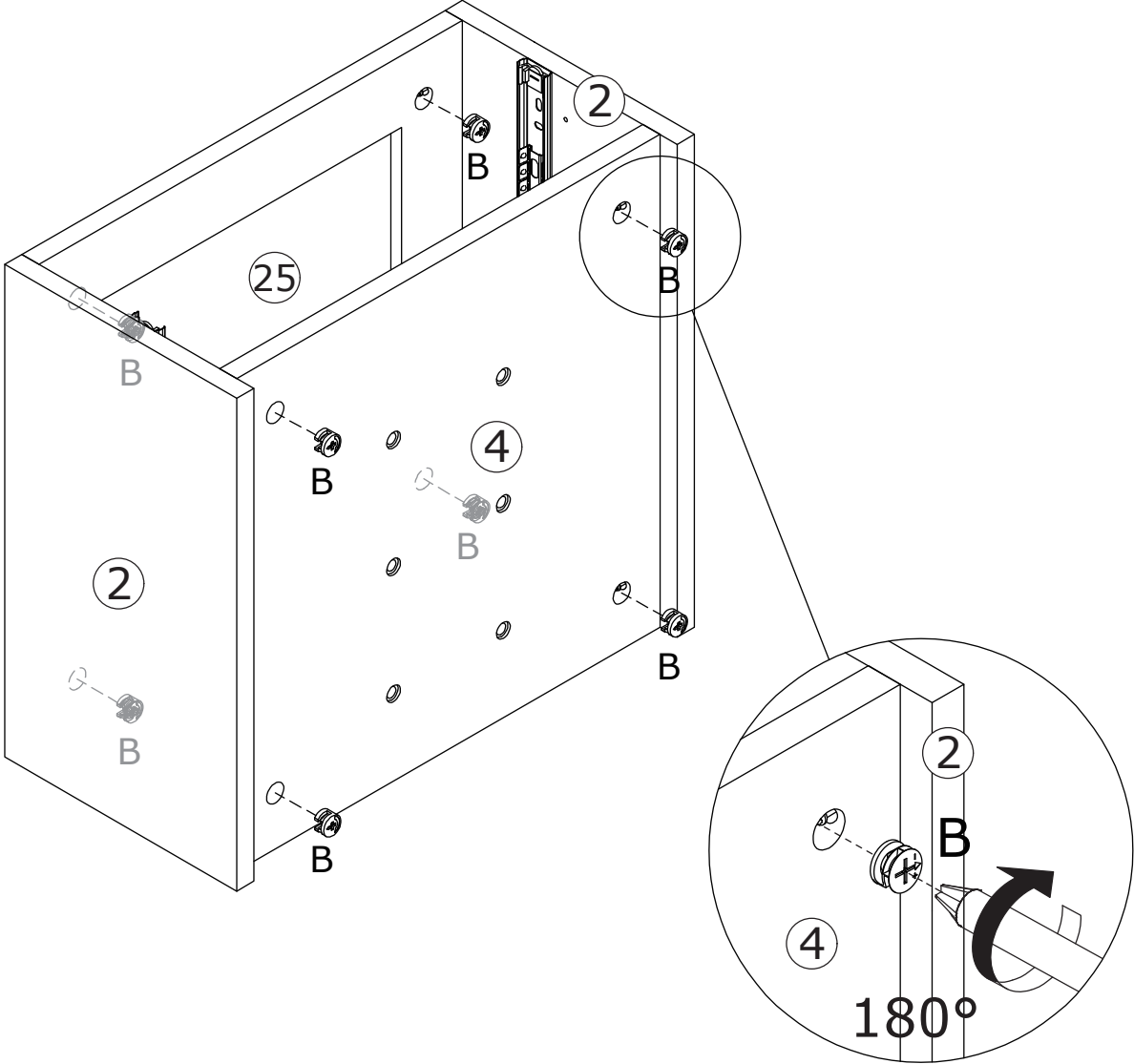
B x 8



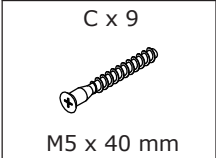
Ø 15 x 9.5 mm



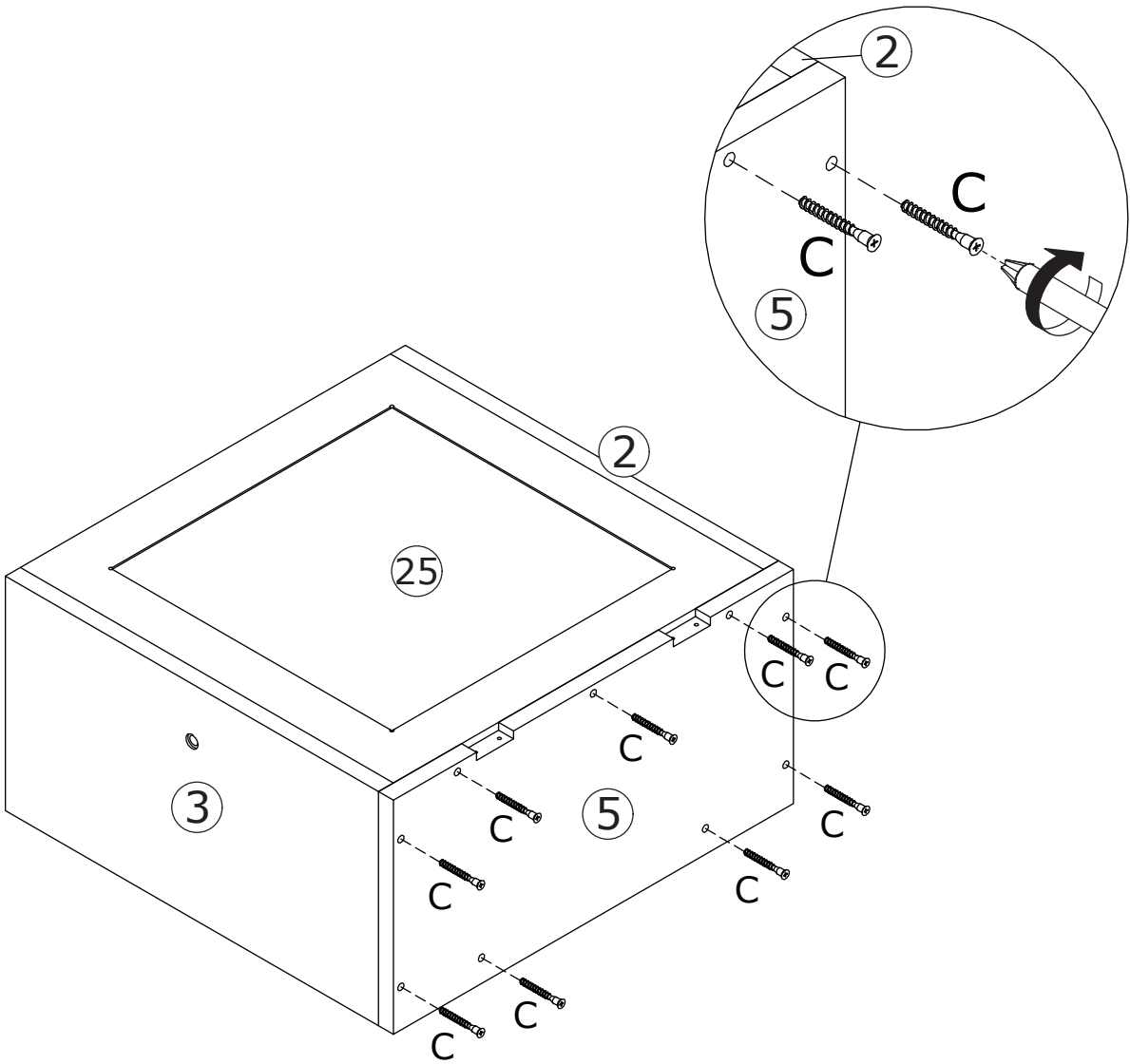
Connect the wooden boards 2, 3, 4 and 25, then insert the eccentric wheel B and tighten it. Please pay attention to the installation directions of the wooden boards.



17



Use screw C to fix wooden board 5 to wooden boards 2, 3, 4 and 25.

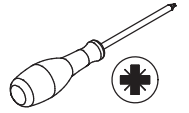


18

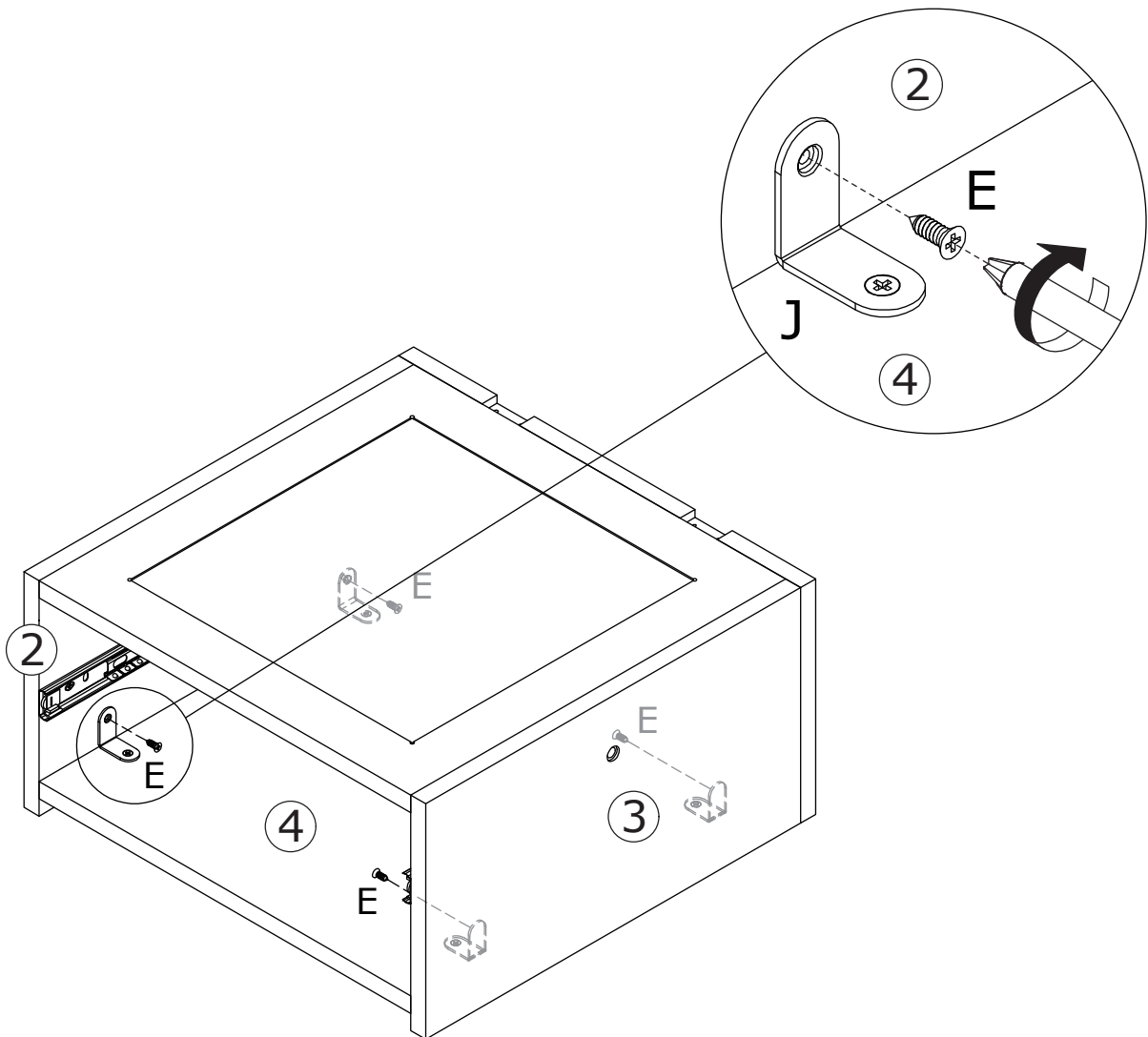
E x 4



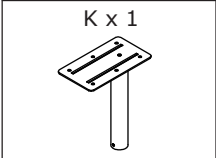
M4 x 14 mm



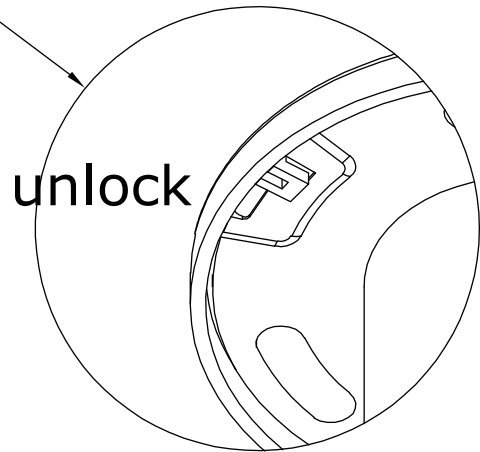
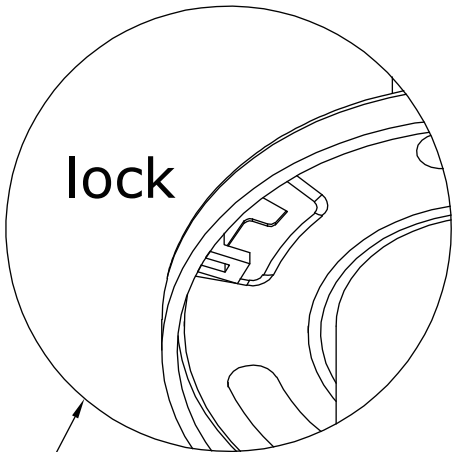
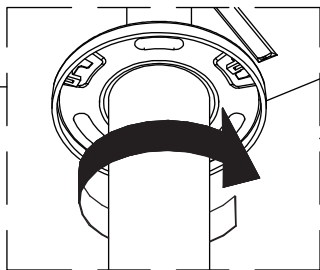
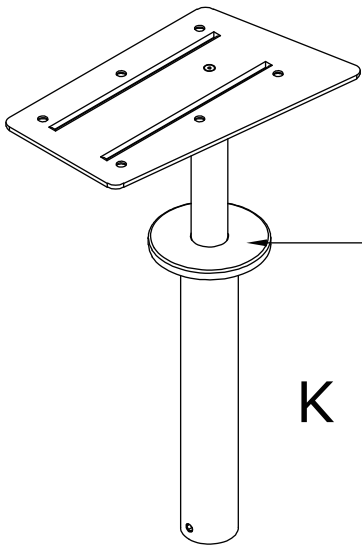
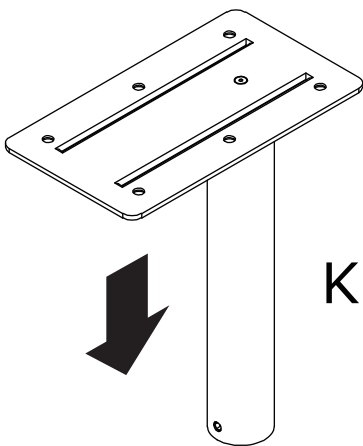
Use screw E to connect the angle iron J with wooden boards 2 and 3.



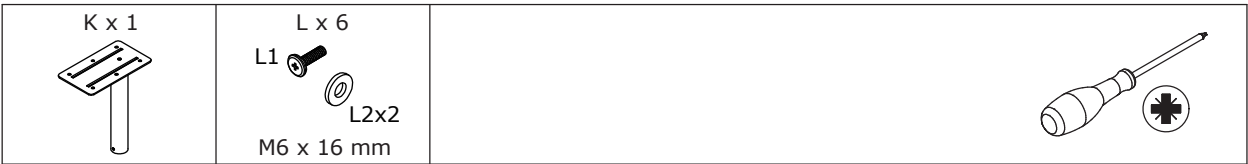
19



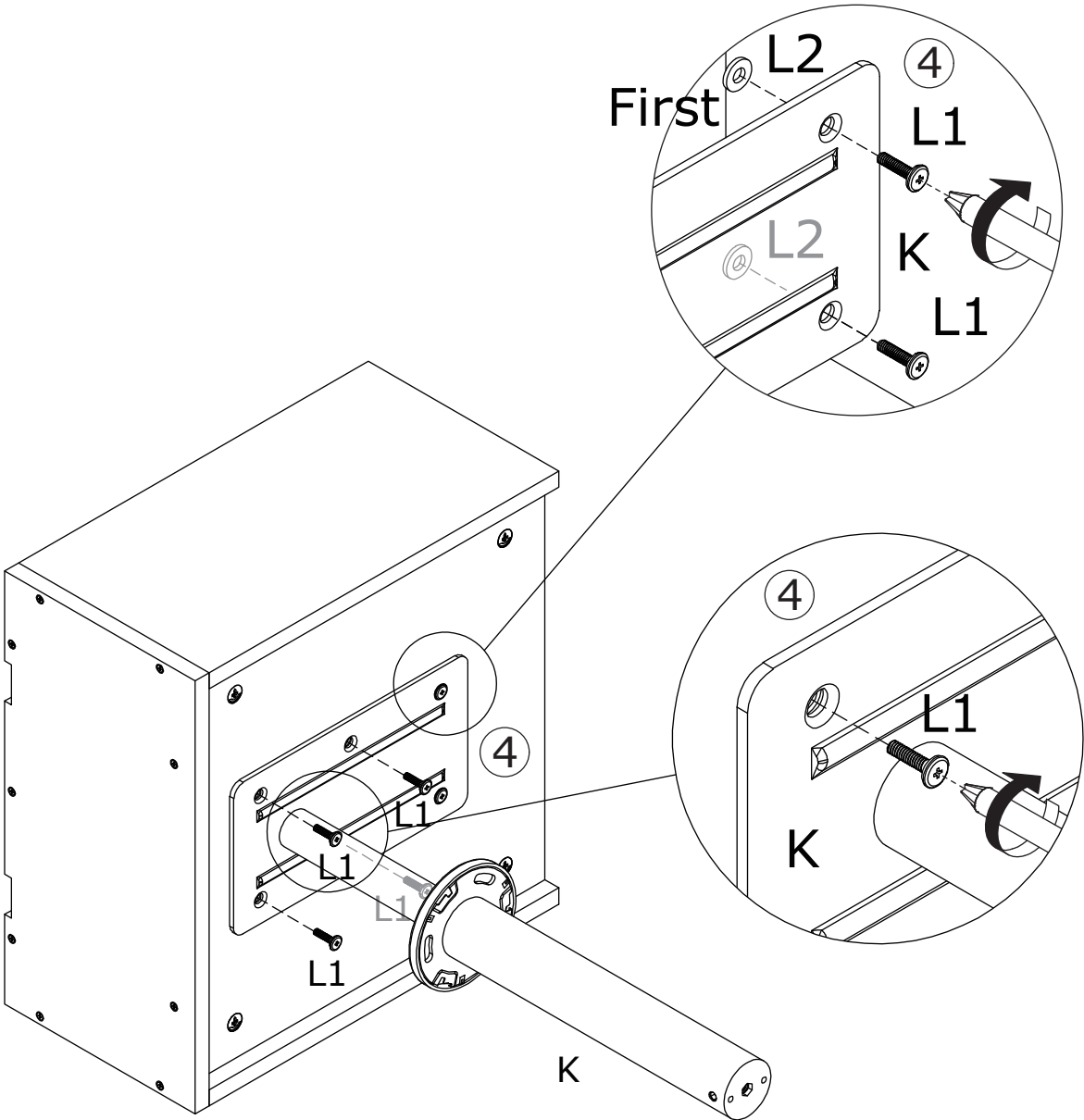
Press the lifting rod K firmly by hand to extend it. Then, rotate the bright silver disc cover to unlock it, revealing the screw holes below.




20

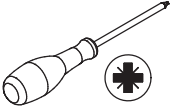


Fix the lifting rod K to the wooden board 4 with the screw L1. Note that washers L2 should be installed in the two screw holes.



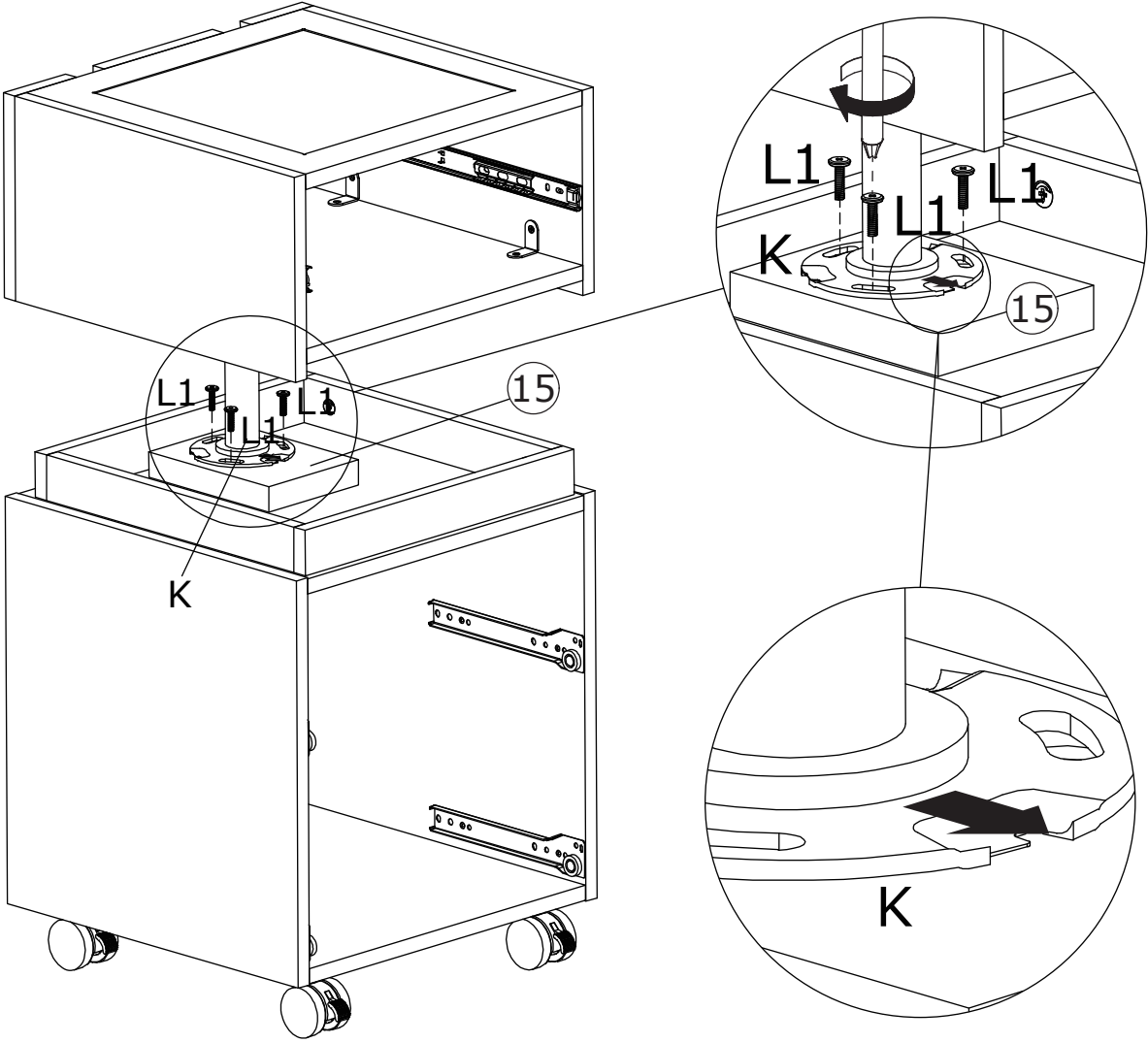
21

L x 3
L1 
M6 x 16 mm

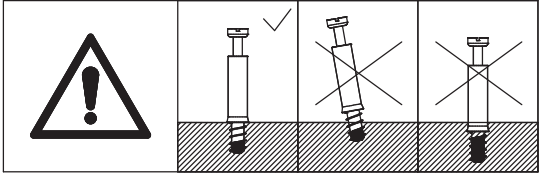
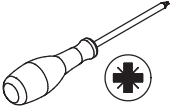
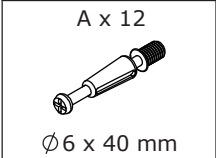


Use screw L1 to fix the lifting rod K to wooden board 15.

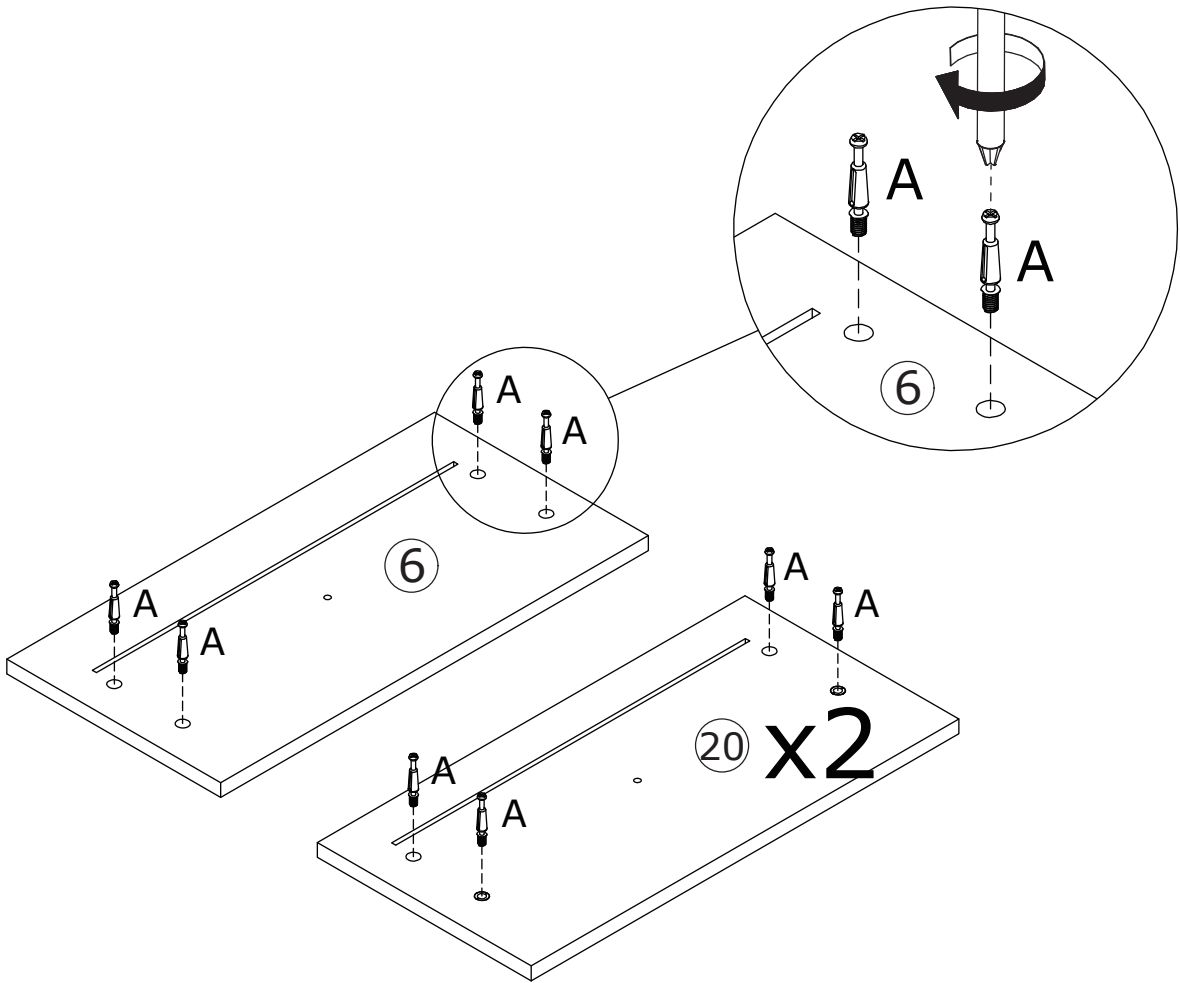
Note that the drawer outlet should face the direction of the arrow sticker.



22

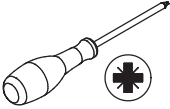


Install the screw rod A onto wooden boards 6 and 20.

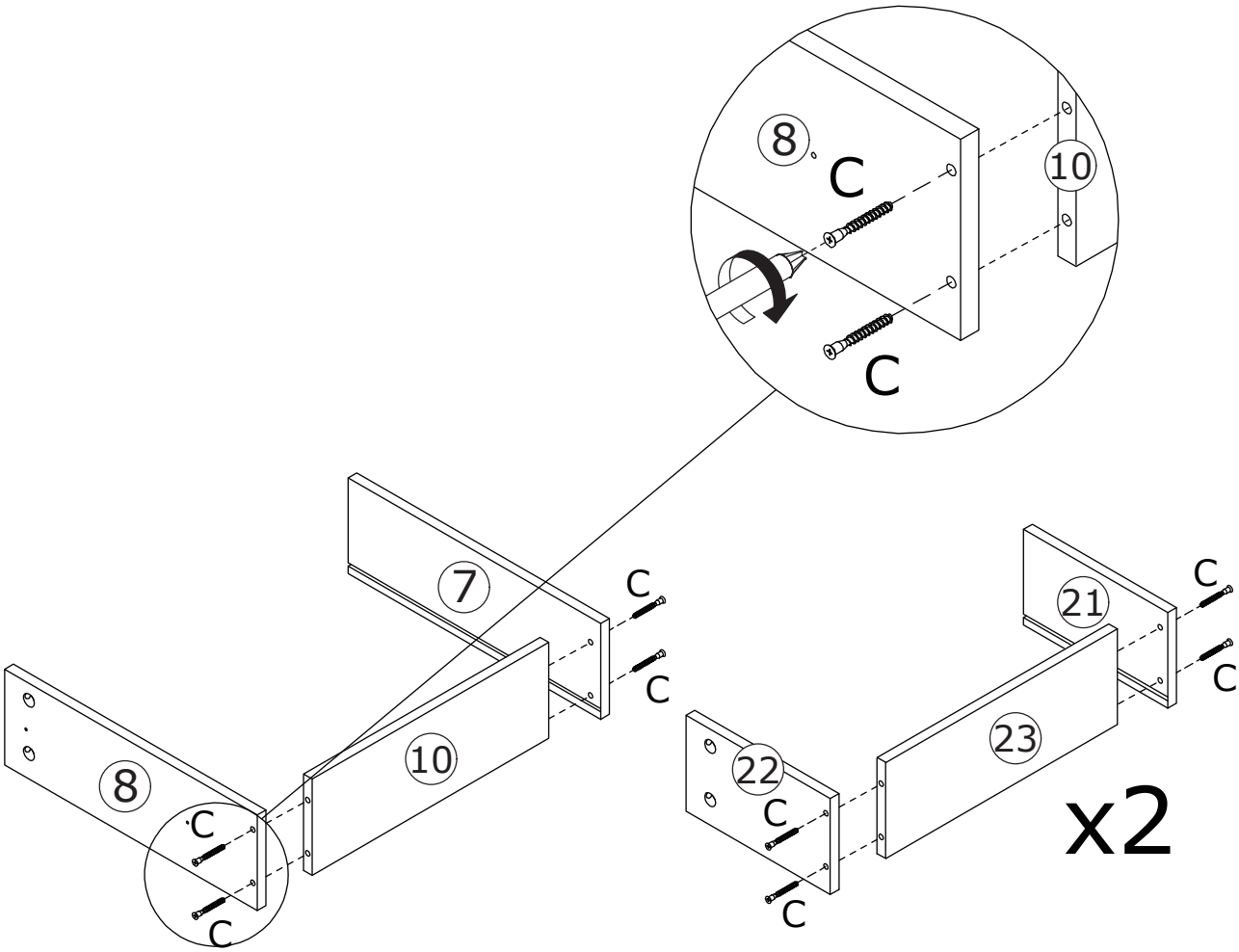


23

C x 12
M5 x 40 mm

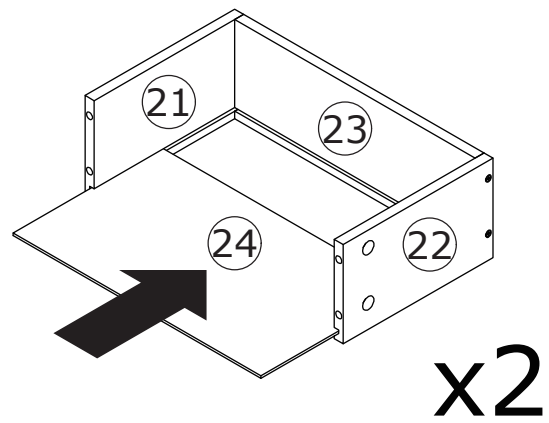
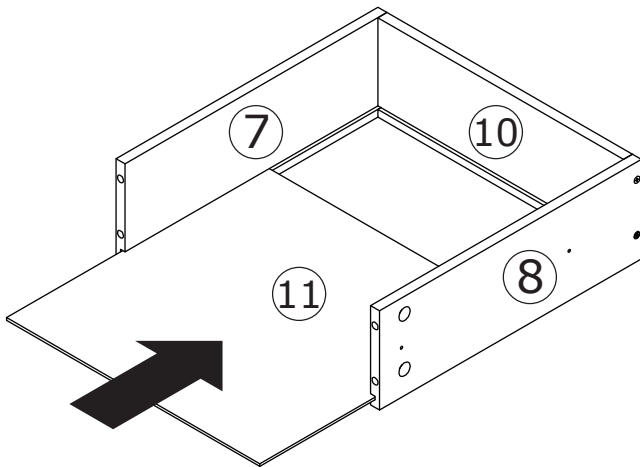


Use screw C to fix wooden boards 7 and 8 to wooden board 10, and then use screw C to fix wooden boards 21 and 22 to wooden board 23.



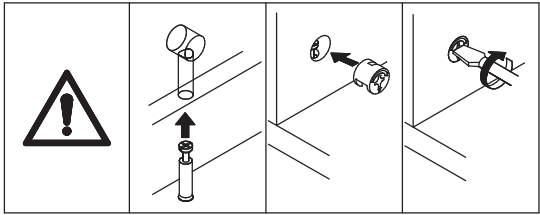
24

Insert the wooden board 11
and 24 into the grooves.

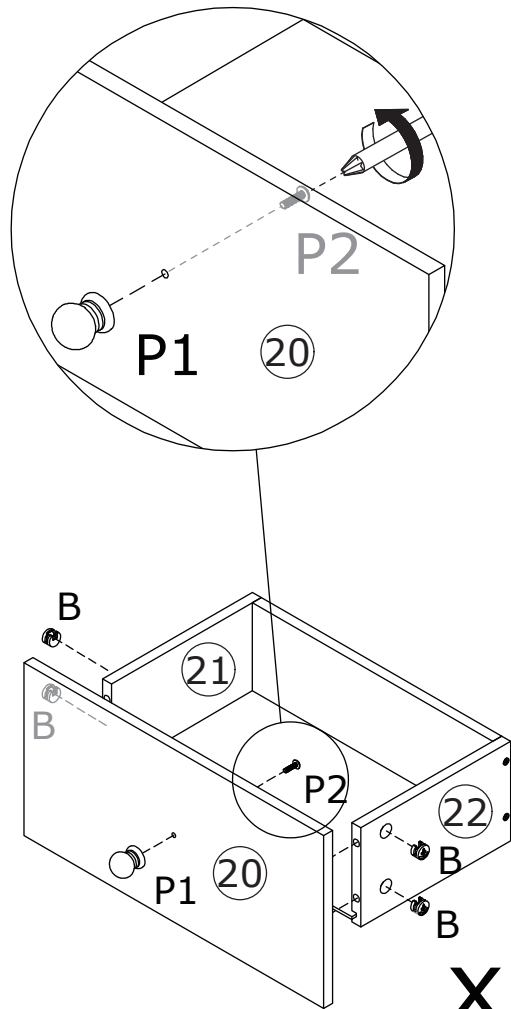
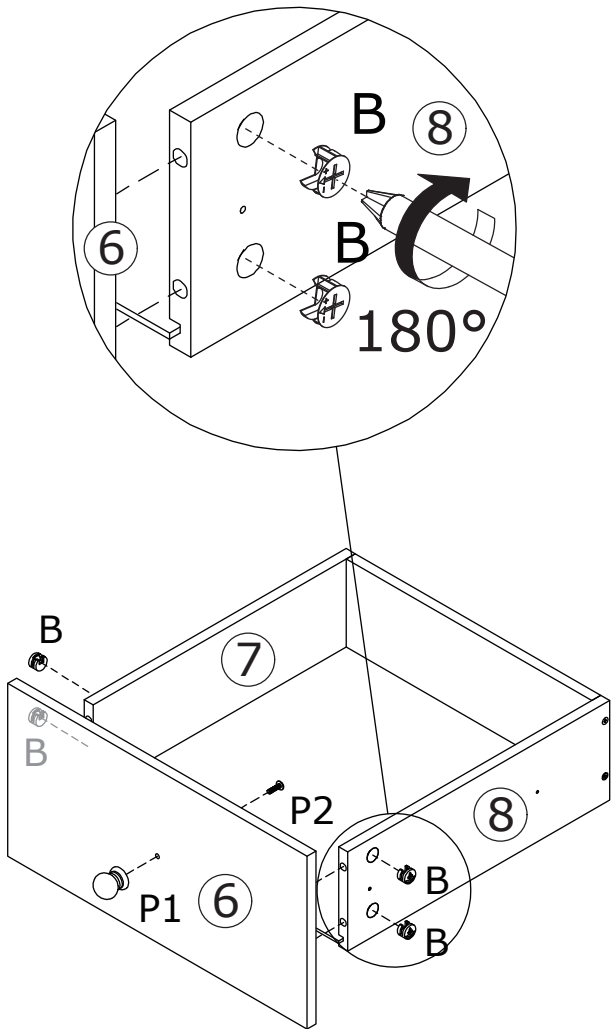


25

<p>B x 12</p>  <p>Ø 15 x 9.5 mm</p>	<p>P x 3</p>  <p>P1</p>  <p>P2</p>	
--	--	---

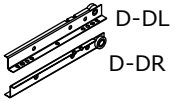


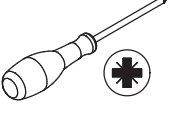


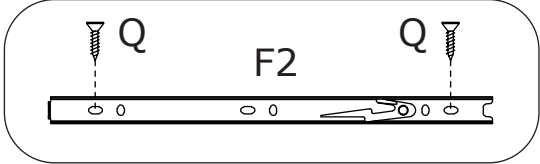
Connect wooden board 6 with wooden boards 7 and 8, and connect wooden board 20 with wooden boards 21 and 22. Then insert the eccentric wheel B and tighten it. Finally, use screw P2 to install knob P1.



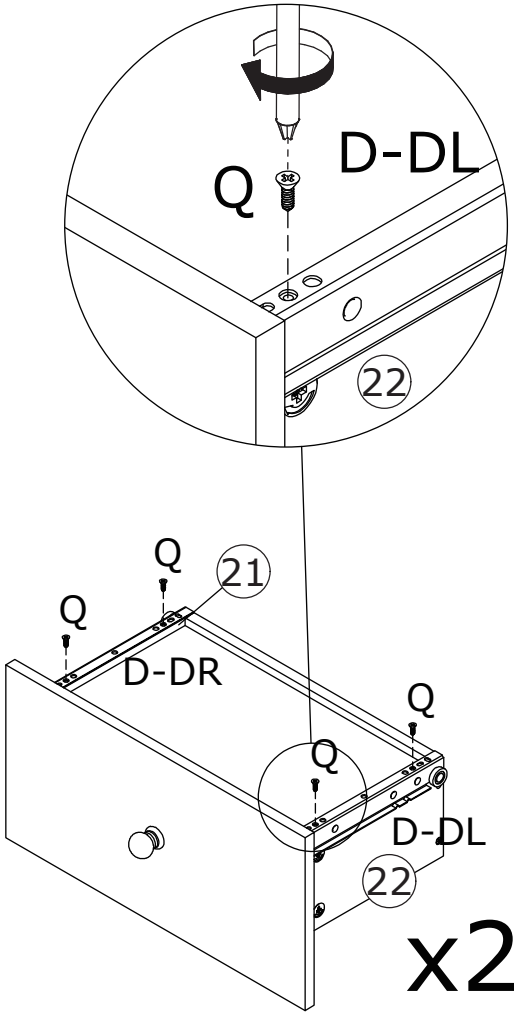
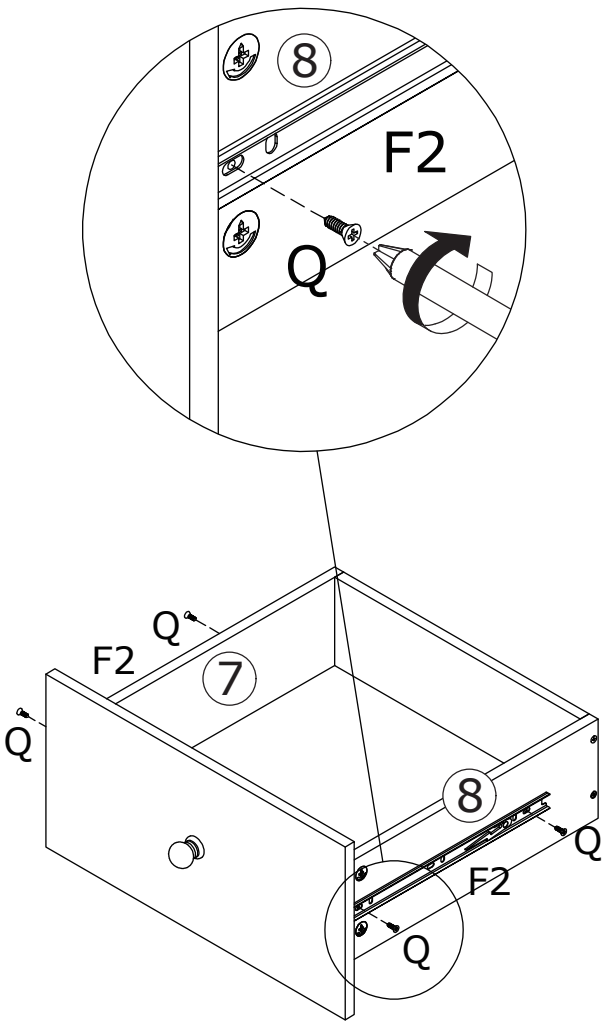
x2

26

<p>D x 2 D-DL D-DR 200 mm</p> 	<p>F x 1 F2 F2 300 mm</p> 	<p>Q x 12 M3.5 x 12 mm</p> 	
---	---	--	---



Use screw Q to fix slide rail F (F2) to wooden boards 7 and 8, and then use screw Q to fix slide rails D (D-DR and D-DL) to wooden boards 21 and 22.

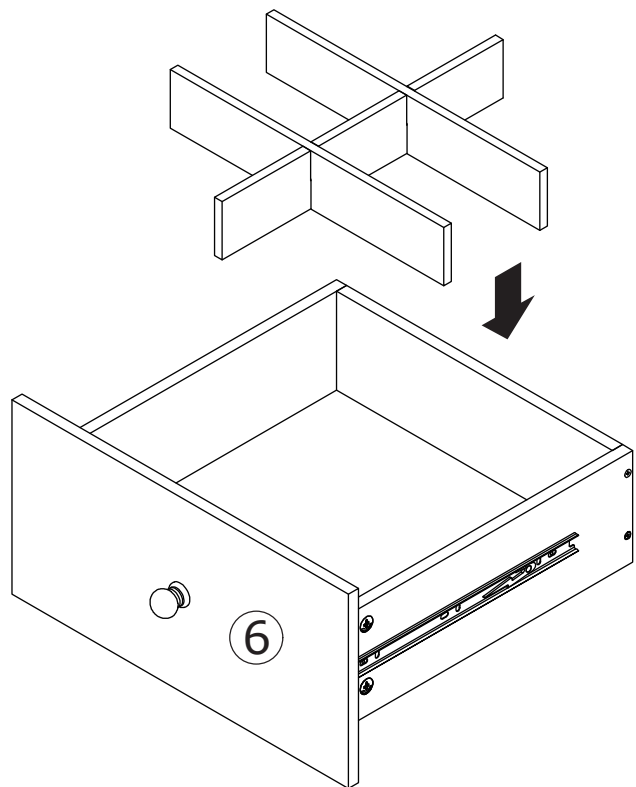
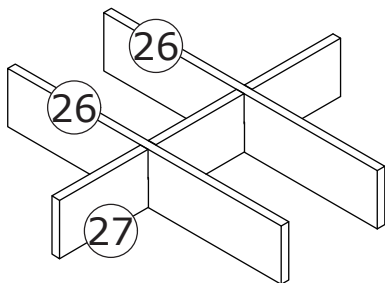
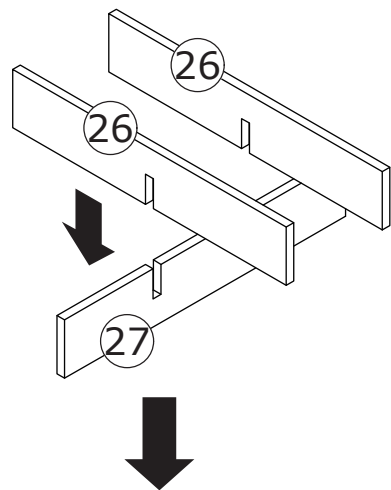


x2

27

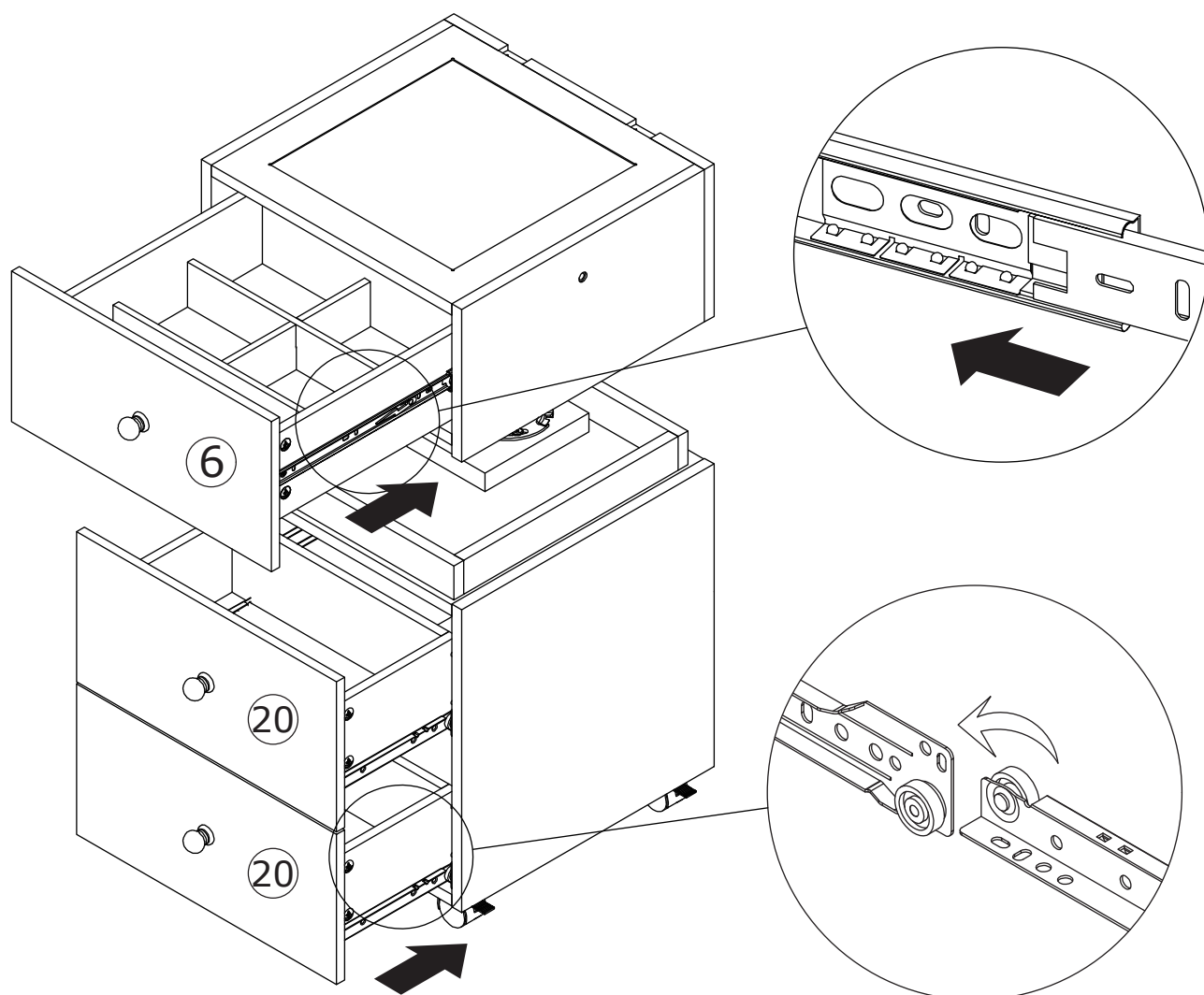


Insert the wooden board 26 into the groove of the wooden board 27, and then put it into the assembled drawer.



28

Insert the previously assembled drawer into the cabinet through the sliding rails.



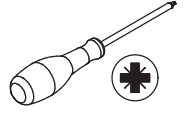
29

R x 4

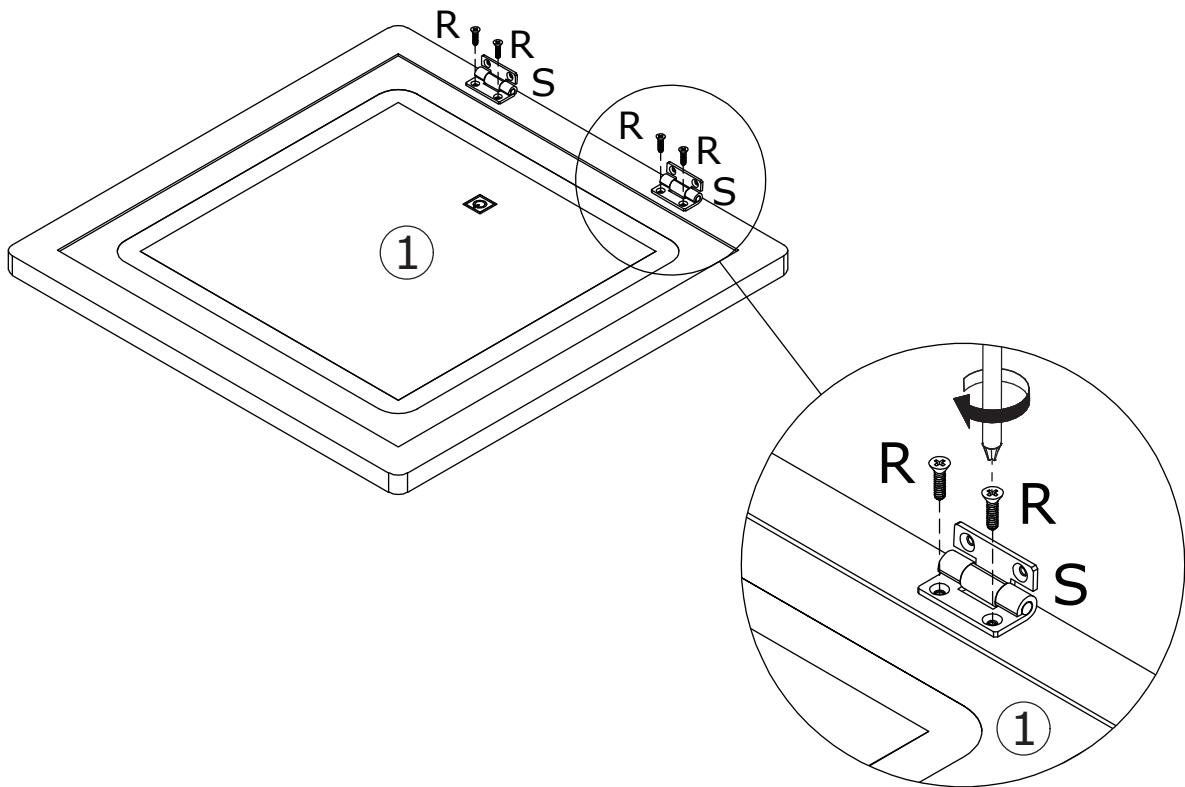


M3.5 x 18 mm

S x 2



Use screw R to fix the hinge S to plate 1.



30

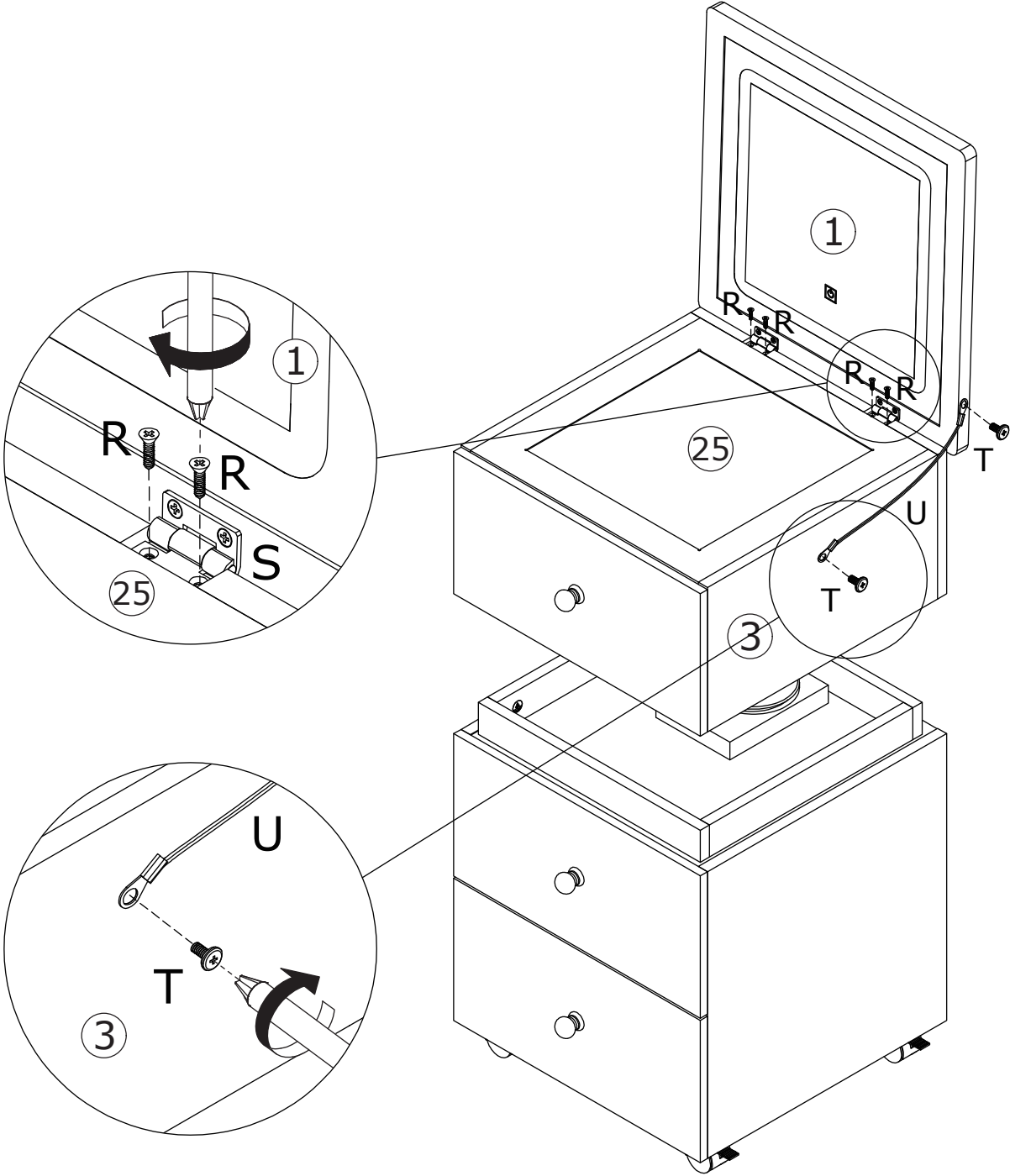
R x 4
M3.5 x 18 mm

T x 2
M6 x 8 mm

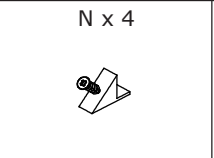
U x 1



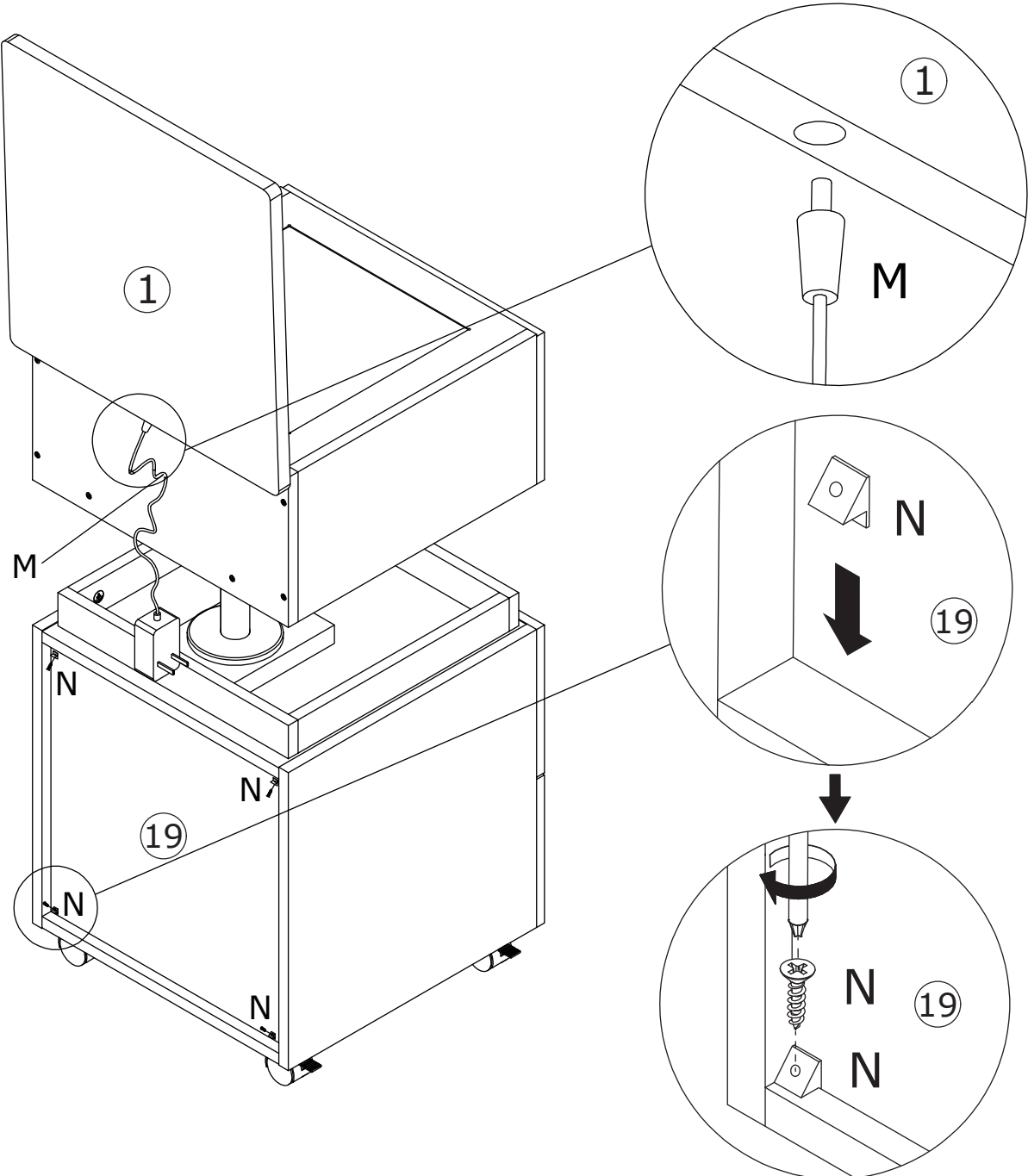
Use screw R to fix the hinge S to the wooden board 5, and then use screw T to fix the pull rope U to the wooden boards 3 and plate 1.



31



Install the backboard sockets N at the four corners of the wooden board 19, and then insert the power plug M into the reserved interface on plate 1.



WARRANTY

WARRANTY CLAIMS

- There is a 30-day warranty for broken furniture or any other problems that do not work properly. The warranty will start from the date of purchase which must be verified by proof of purchase.
- Before making a claim, we may be able to answer your query, simply call us. Please leave your purchase order number, along with some details of the problem, if you want a replacement part. We will arrange within 48 hours. If there is out of stock, we will reply with a shipping date.
- The product must be used in accordance with the instructions provided. For health reasons.
- For other reasons, if the furniture needs to be returned, it must be cleaned and dried and operated within 30 days of receipt.

Type of Warranty Claim

- Failure to follow the furniture instructions will invalidate the warranty. Attention please.
- Does not include damage during installation, but includes damage during transportation.

Scope of responsibility

- Shall not bear any responsibility for misuse or user damage and / or loss of parts during the installation of furniture.
- After using, the damage and scratches of the furniture are not covered by the warranty.

The Warranty Relates to All Bought in The Us and Covers The Following Areas

- Sheet parts: 1 month from the date of purchase.
- Electrical parts: 1 month from the date of purchase.

RETURNS

CHANGED YOUR MIND AND NEED TO RETURN YOU ITEM?

PLEASE FOLLOW THE BELOW INSTRUCTIONS:

- If you have purchased and have simply changed your mind, follow the retailer's instructions for returns.

DEFECTIVE ITEMS

- If your item is defective in any way, i.e. it doesn't work but you can't identify why, in the first instance, please call us.

DAMAGED ITEMS

- If you receive an order with obvious shipping damage from the retailer, then we suggest the delivery is refused. If the delivery has been accepted and then shipping damage is found, please follow the specific instructions advised by the retailer.
In all circumstances please save all packaging material and paperwork for the order. Please be aware that if you dispose of packaging material or attempt to return the merchandise without contacting the fulfiller, you jeopardise your chances of making a claim, and you may not receive a credit for the return.