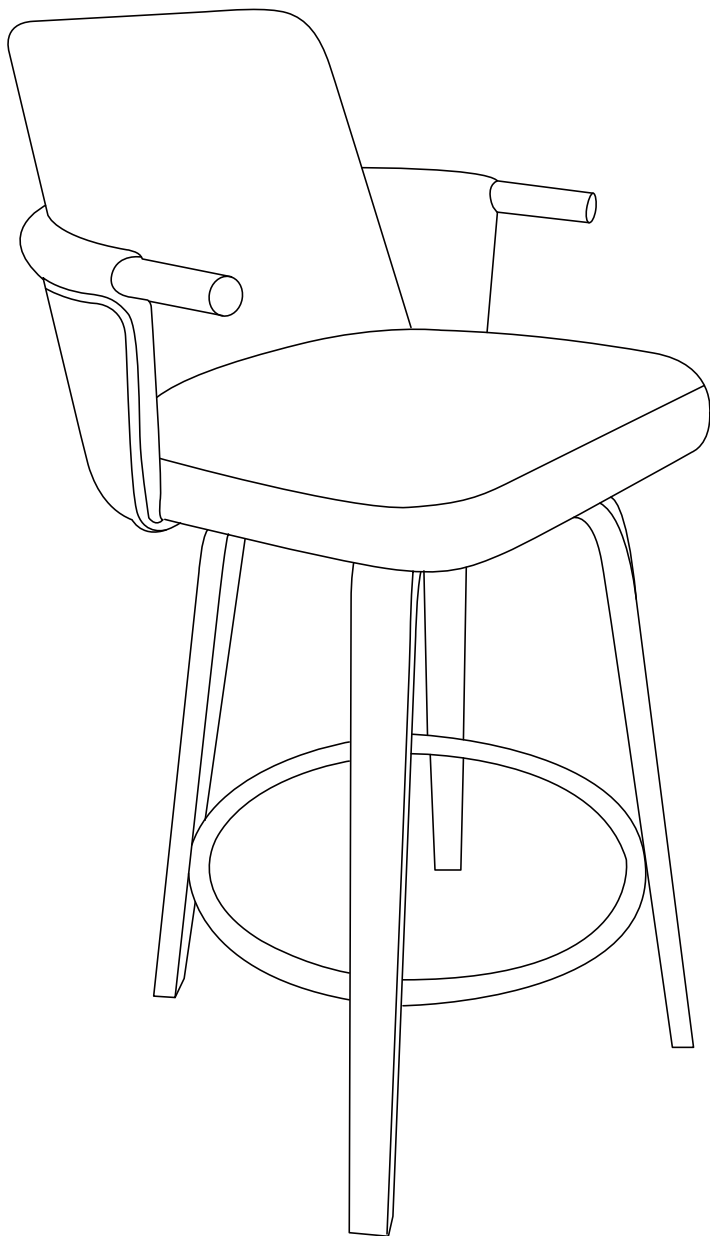
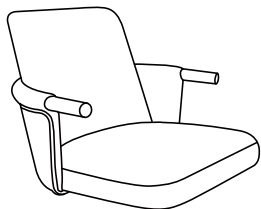


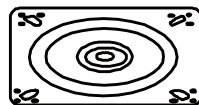
ASSEMBLY INSTRUCTIONS



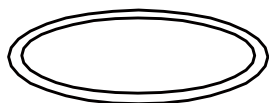
SPARE PARTS



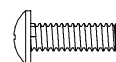
A×1



B×1



E×1



M6*30MM

F×4 + 1EXT

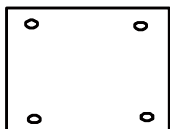


I×2



M6

J×1



C×1



D×4



M6*20MM



M6*16MM

G×10 + 1EXT

H×2 + 1EXT



K×1

1



C×1



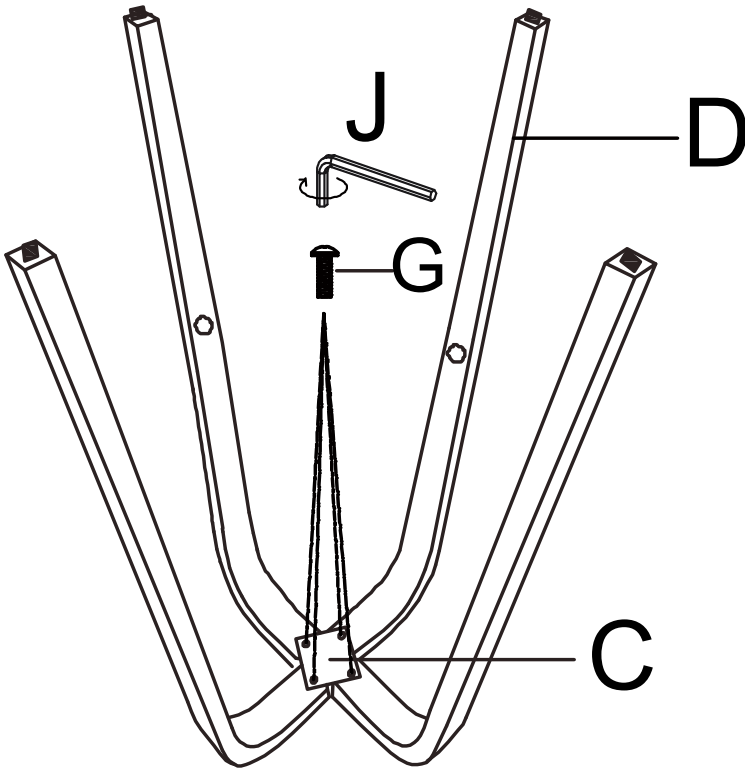
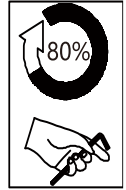
D×4



M6*20MM
G×4



M6
J×1

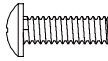


**Install the 4 screws G to 50% in sequence.
After all the four screws are installed,tighten them to 80%.**

2



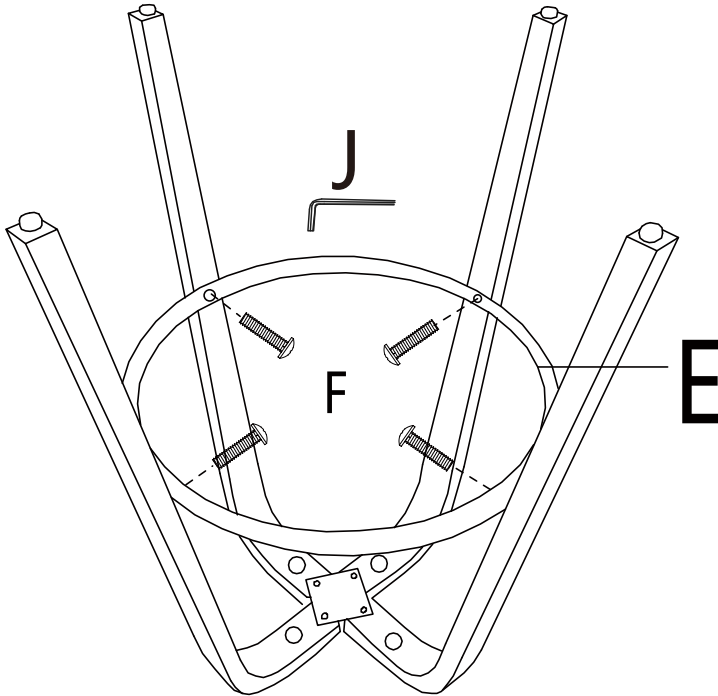
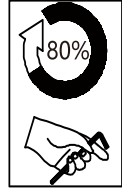
E×1



M6*30MM
F×4

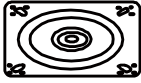


M6
J×1



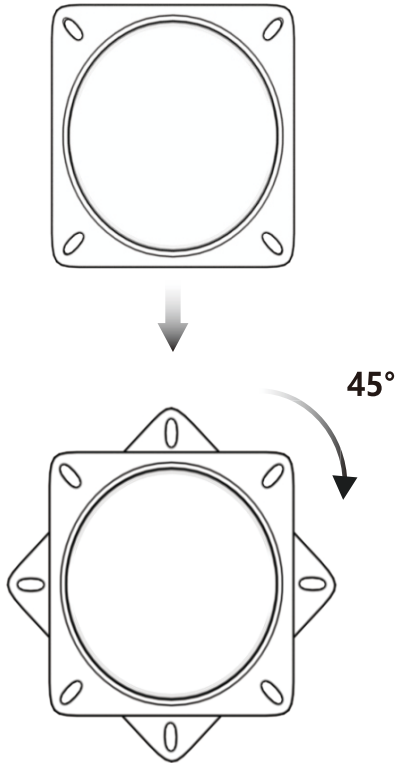
**Install the 4 screws F to 50% in sequence.
After all the four screws are installed, tighten them to 80%.**

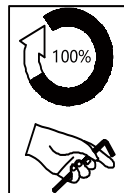
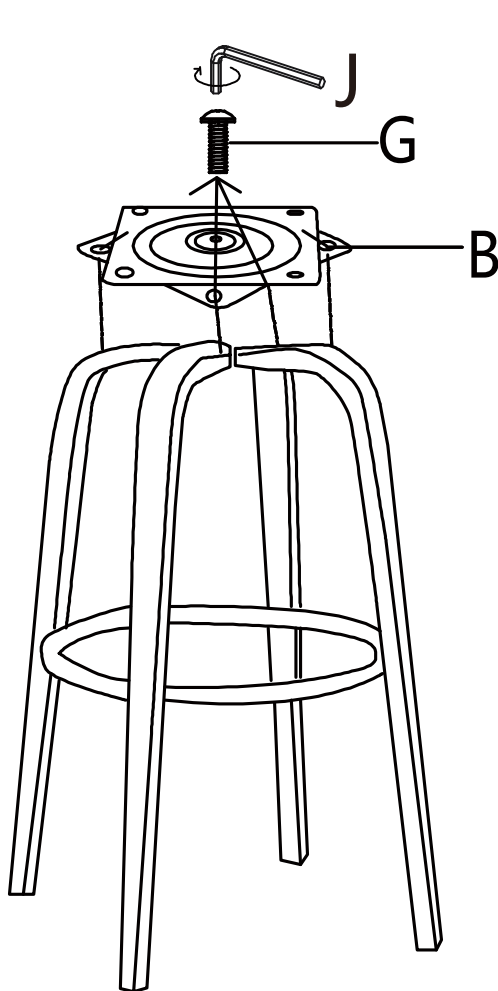
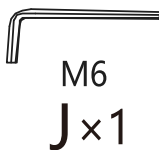
3



B×1

Note:When installing the turntable, please rotate the turntable 45 degrees.





**Install the 4 screws G to 50% in sequence.
After all the four screws are installed,tighten them to 100%.**

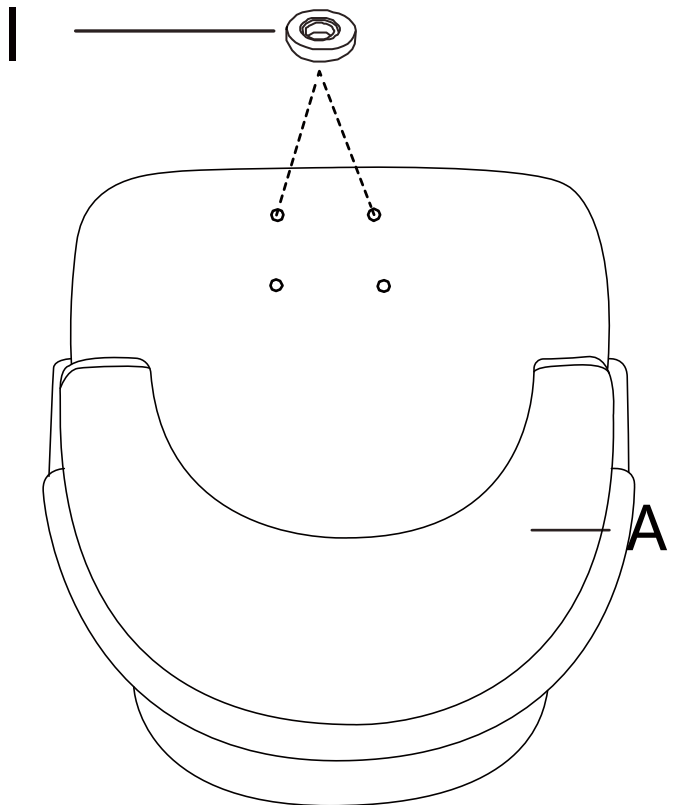
Fasten All screws indicate on Step 1& Step2.

5



1x2

Note:Accessories I should be placed at the front end,not at the back end



6



A×1



M6*20MM

G×2



M6*16MM

H×2

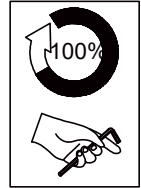
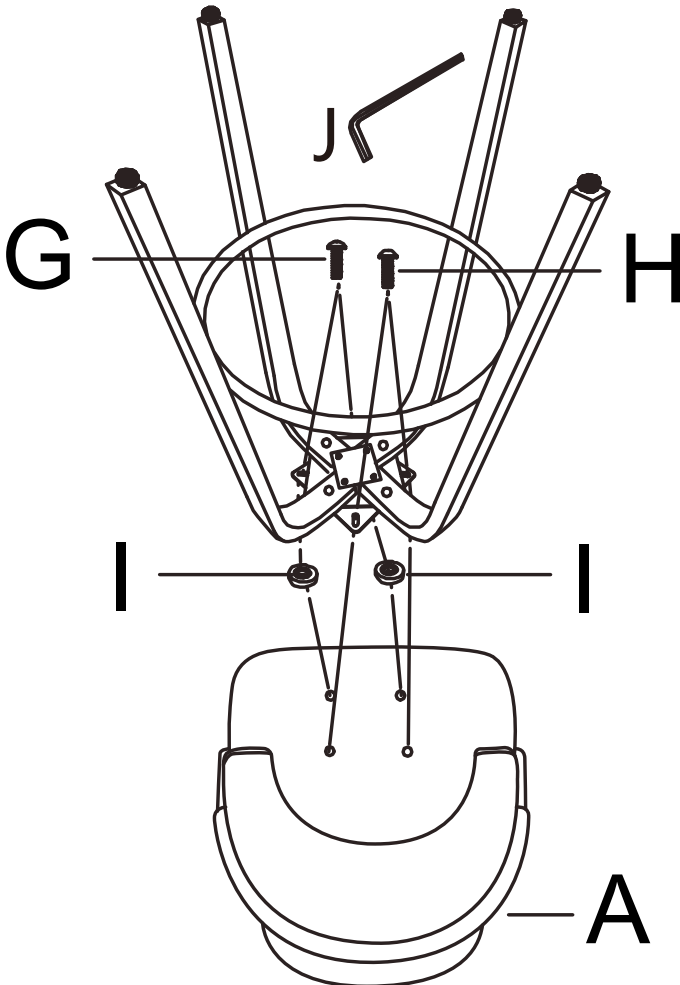


I×2



M6

J×1



Install the 4 screws G and H to 50% in sequence.
After all the four screws are installed,tighten them to 100%

7



Kx1

If you feel that the chair is not balance you can adjust the foot nails to level according to your needs.

