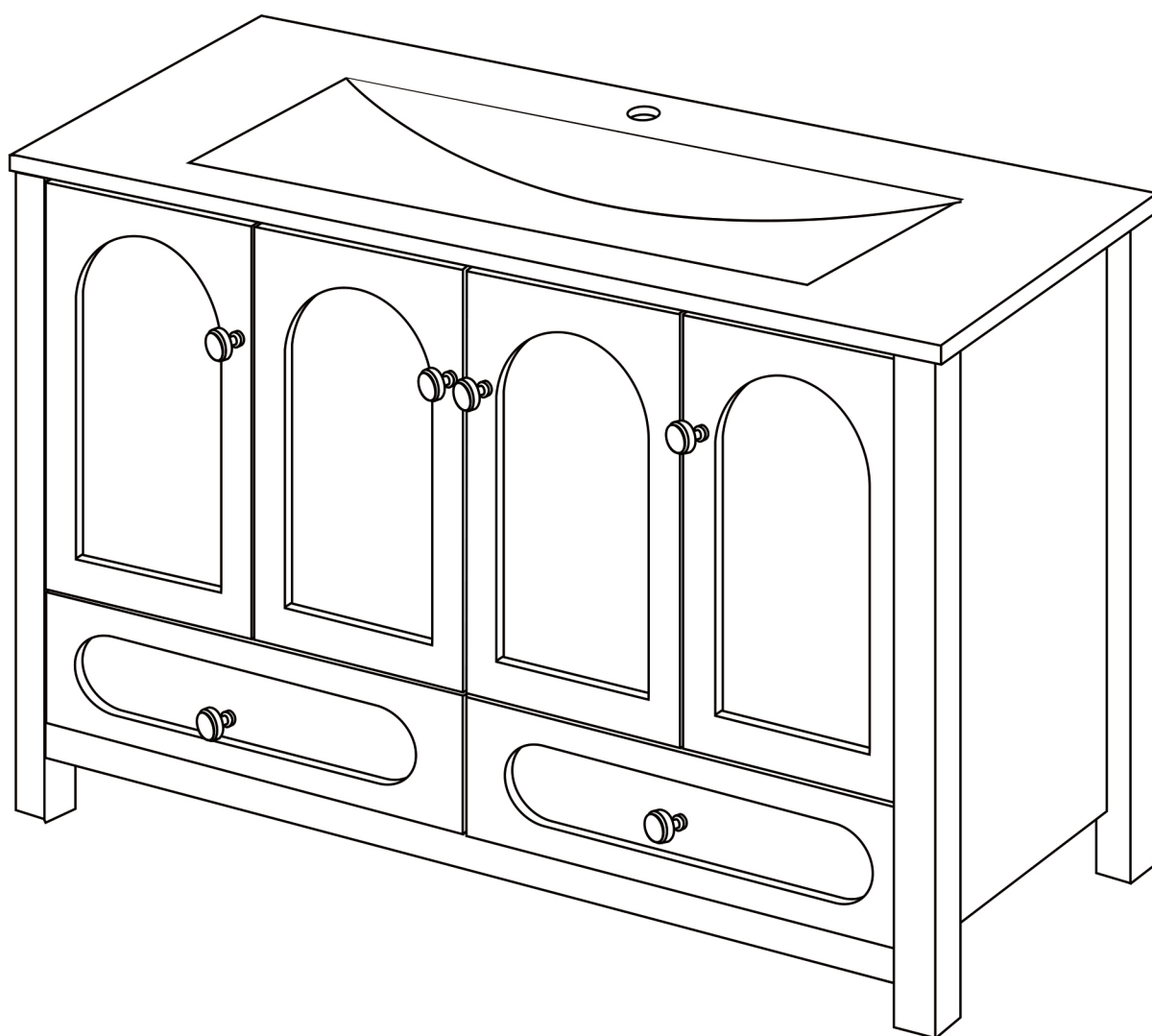
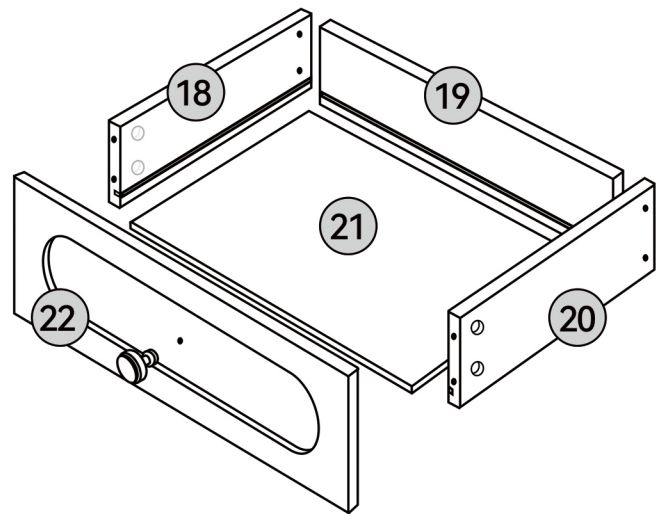
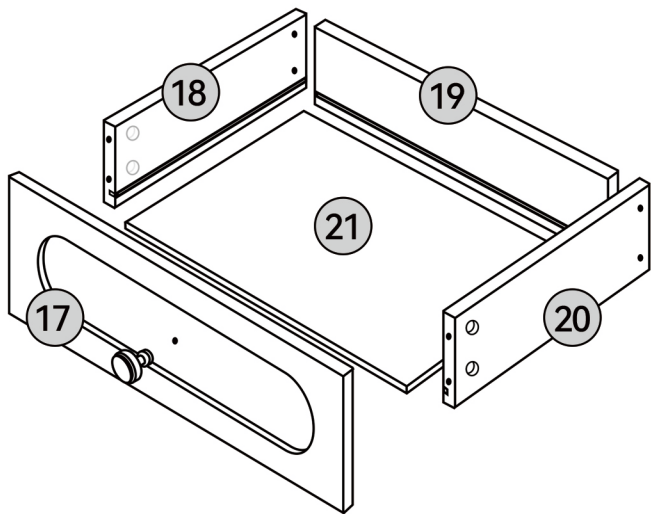
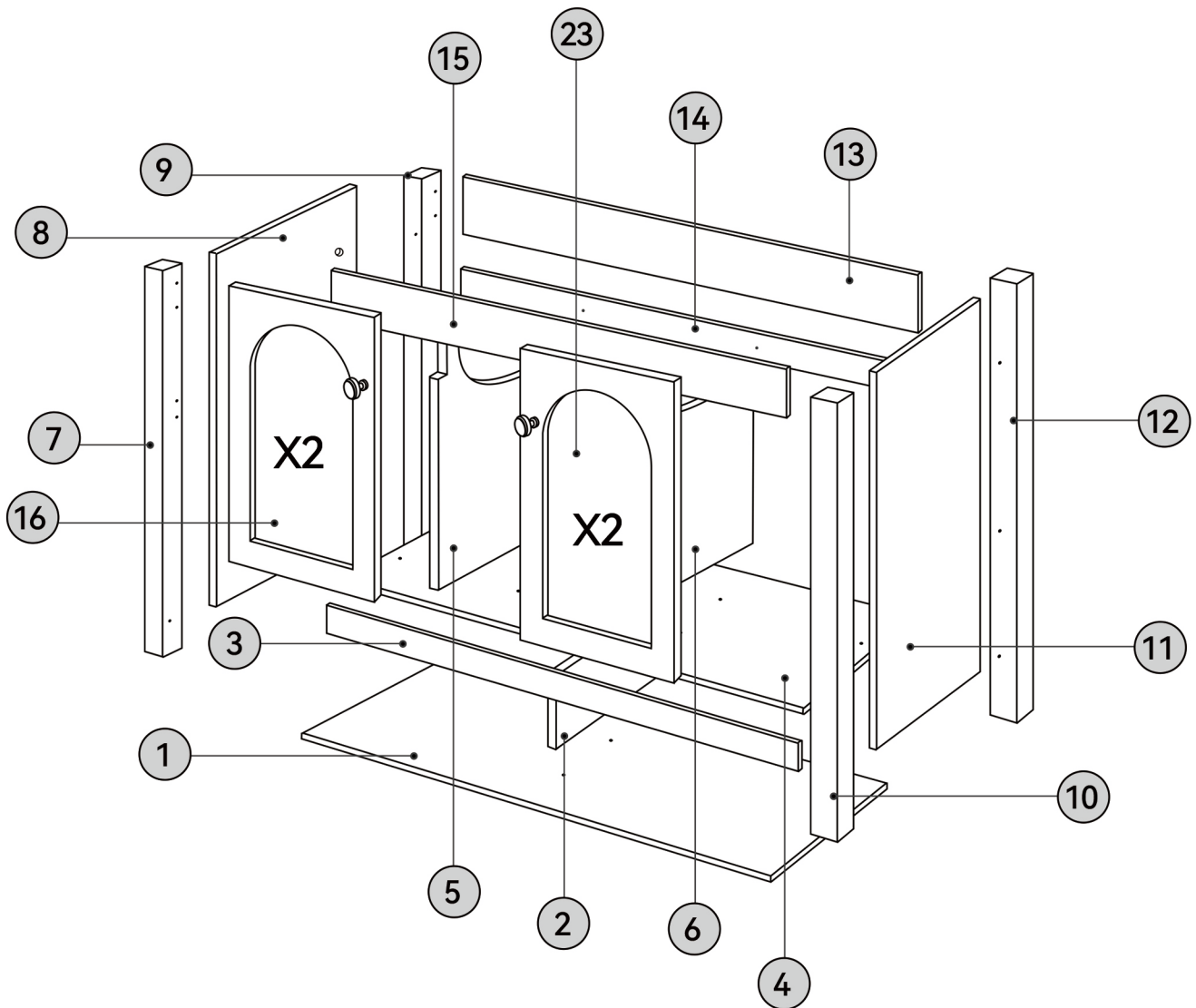


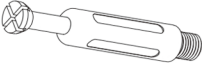


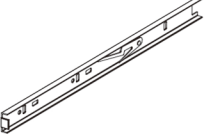



Installation instructions for bathroom cabinet


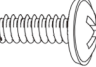



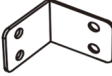
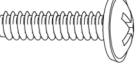


PRODUCT LIST

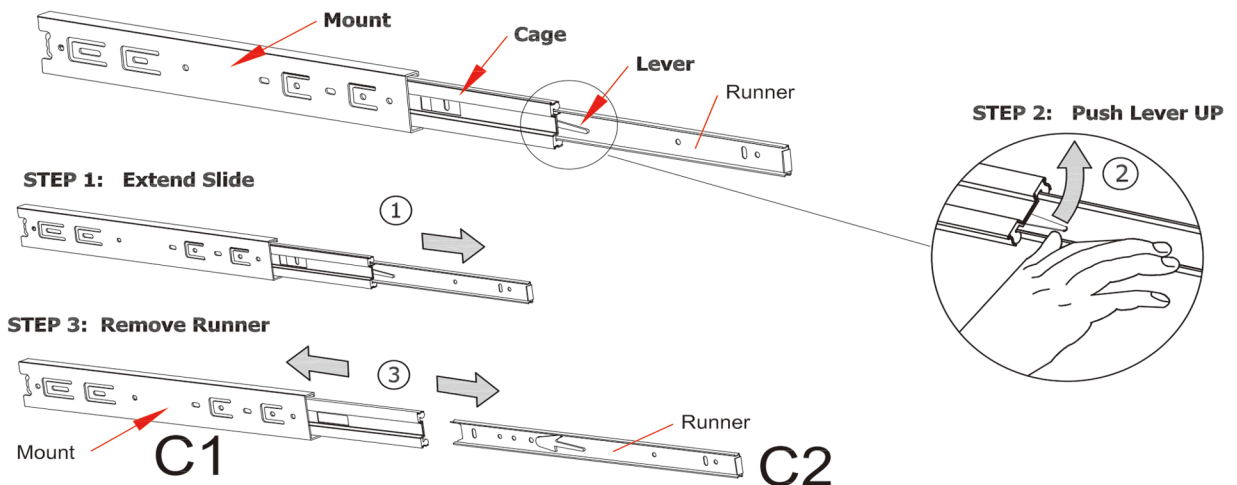


PRODUCT LIST 1

Name	Part	Qty.
A		53
B		53
C1		4
C2		4
D	 3.5*12	36
E	 Large bend hinge	8
F	 4*14	48

Name	Part	Qty.
G		6
H	 4*18	2
I	 3.5*30	10
K		2
L		2
M		2
N	 4*24	4

**Slides Must Be Separated Before Assembly.
After Separated, Set Aside Until Needed for Assembly.**

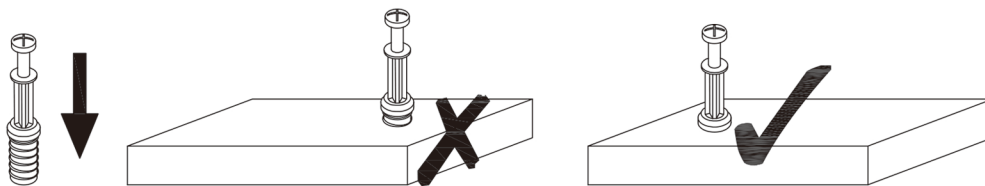


The guide rail needs to be divided into two parts: C1 and C2.

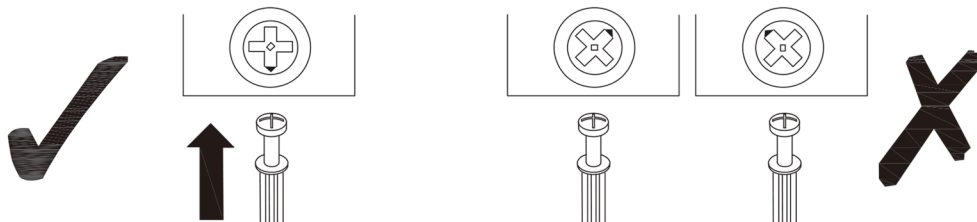


IMPORTANT INFORMATION PLEASE READ CAREFULLY

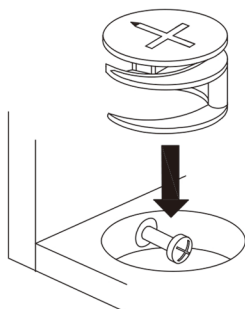
- *Please follow the assembly instructions precisely and use the product accordingly
- *Please wear gloves, open the item slowly and cautiously to avoid pinching your hands by metal joints.
- *After receiving the product, please check the quantity of plates and accessories first. If you find any missing items, please contact customer service as soon as possible;
- *During installation, all accessories cannot be disassembled and mixed together at one time. It is recommended to take out the required number of accessories from the bag according to each step in the instructions;



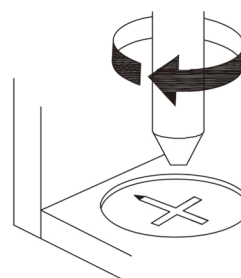
Tighten quickfit until shoulder is flush with panel. Do not overtighten or undertighten.



When fitting cam lock, ensure starting position is correct before you insert connecting quickfit.

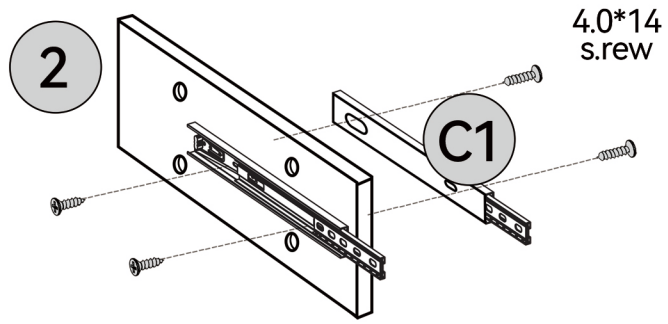


head should be in the centre of the cam lock when the two panels are joined.

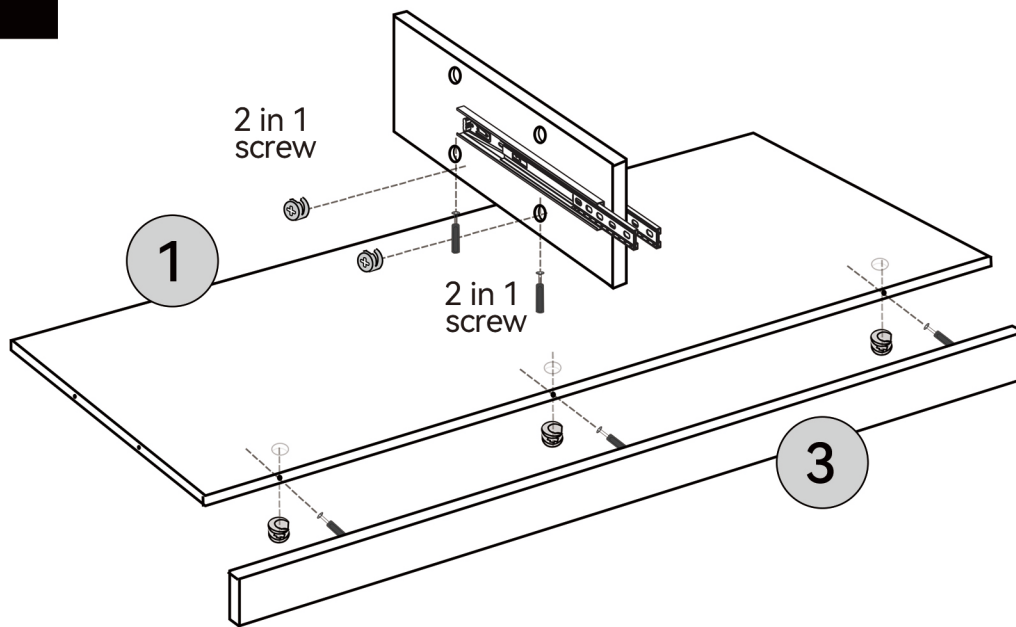


Turn cam lock clockwise to tighten.

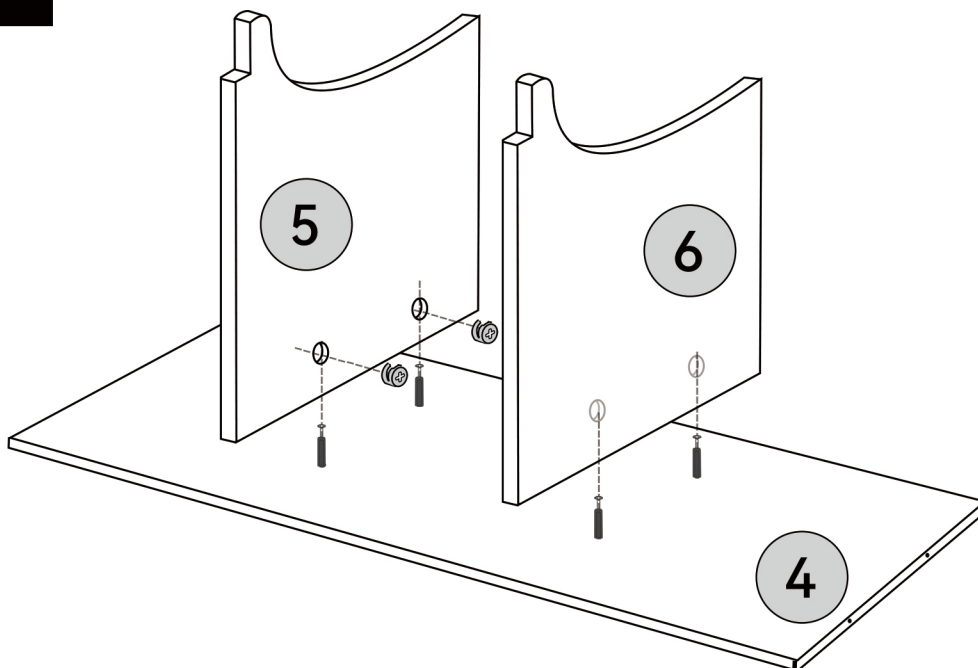
Step 1



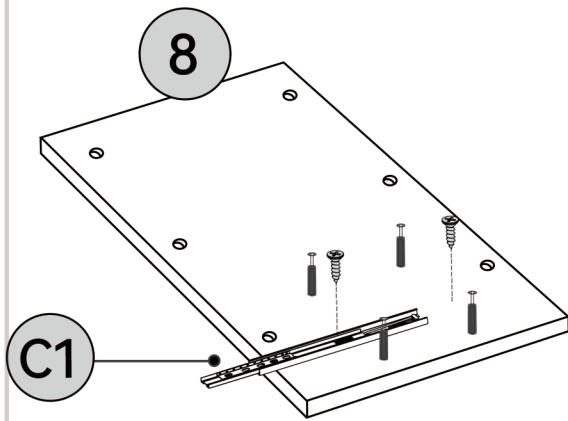
Step 2



Step 3

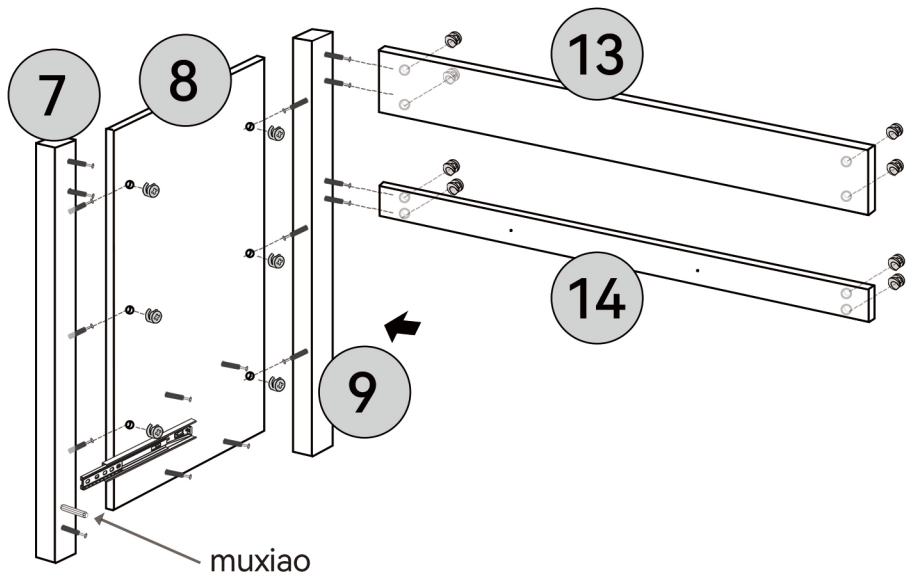


Step 4

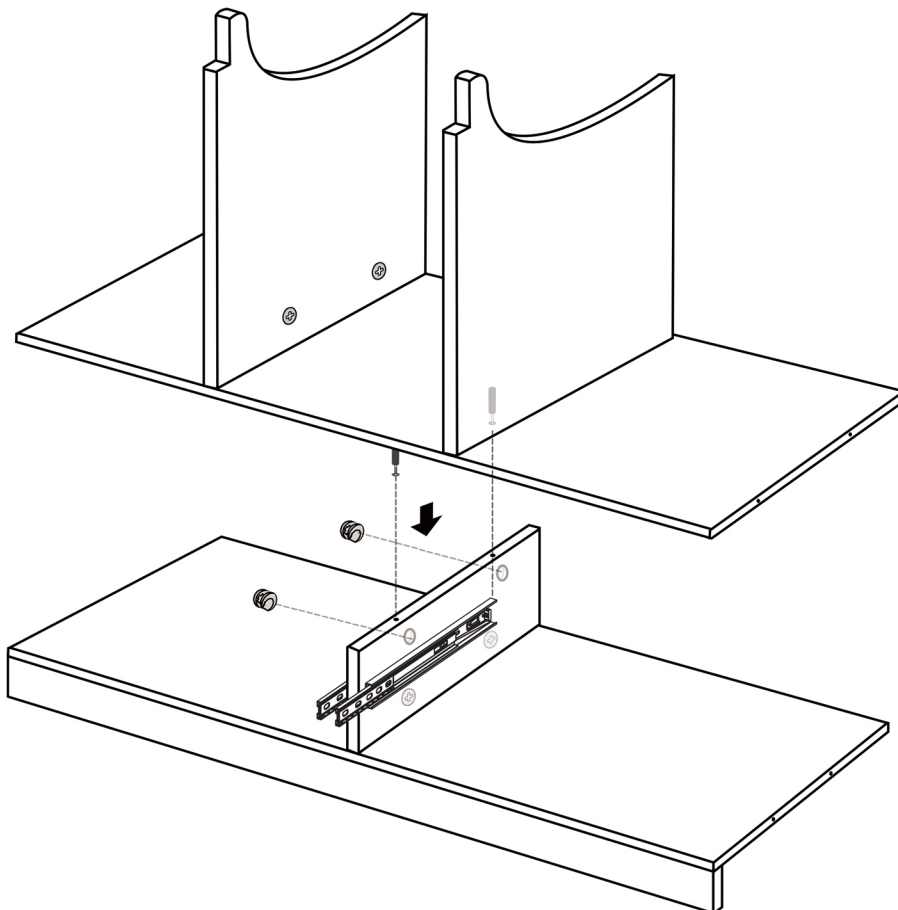


Lock with 4.0x14
self-correcting screws

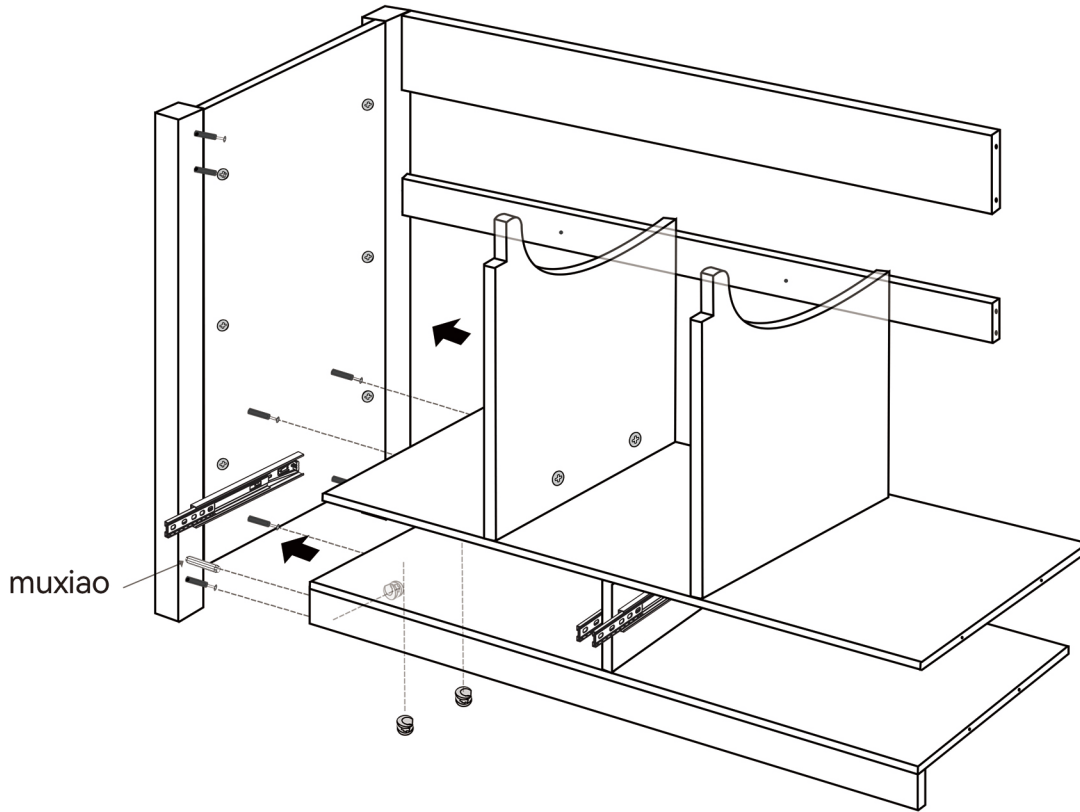
Step 5



Step 6

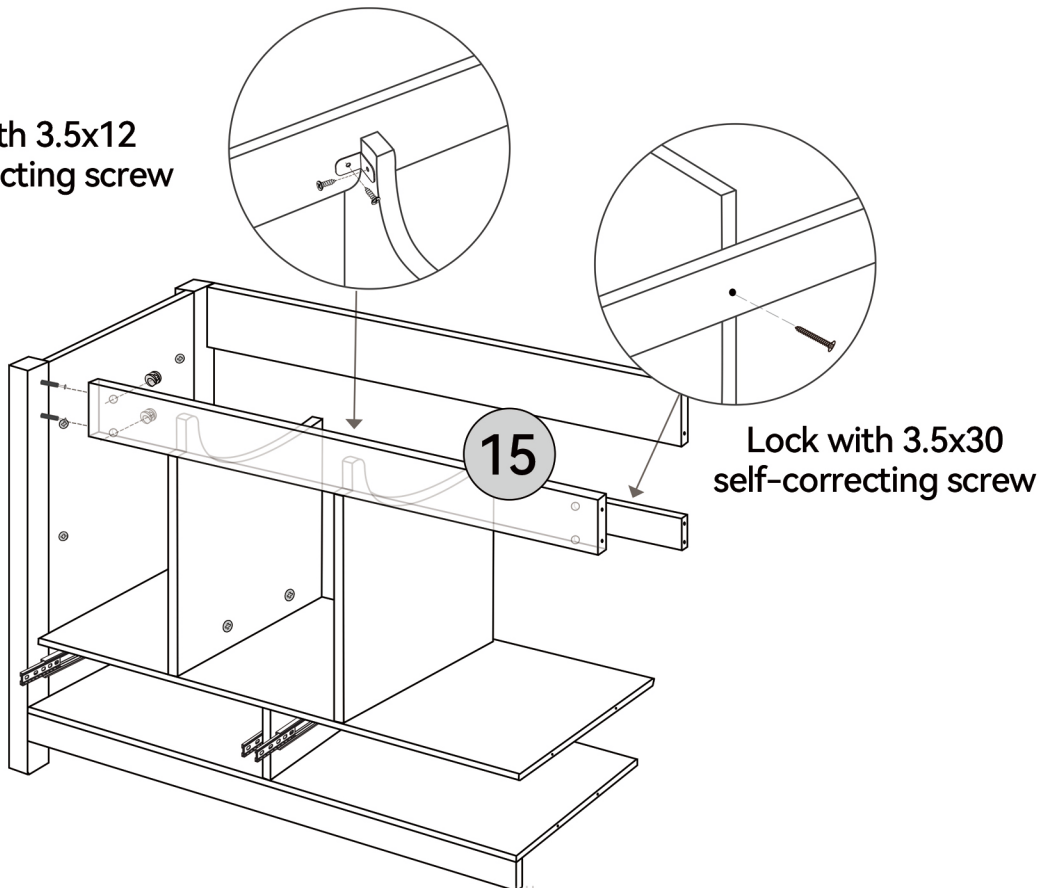


Step 7

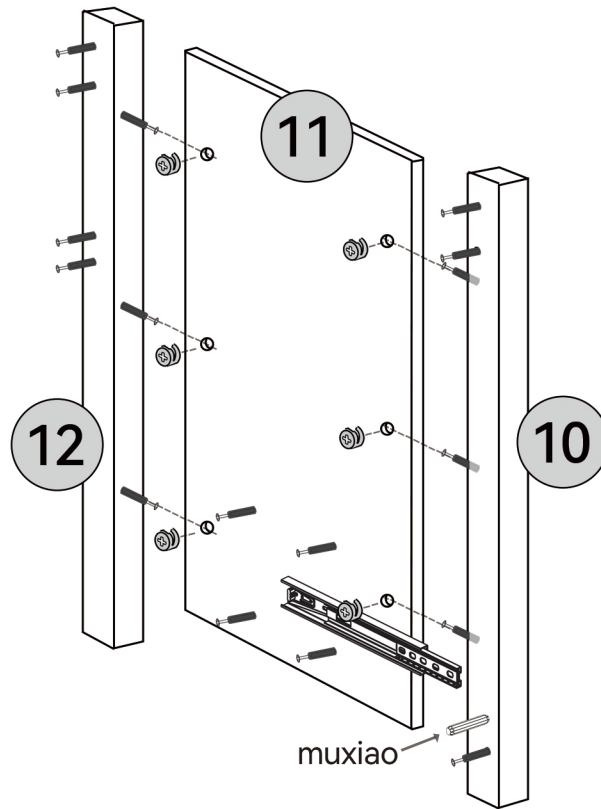


Step 8

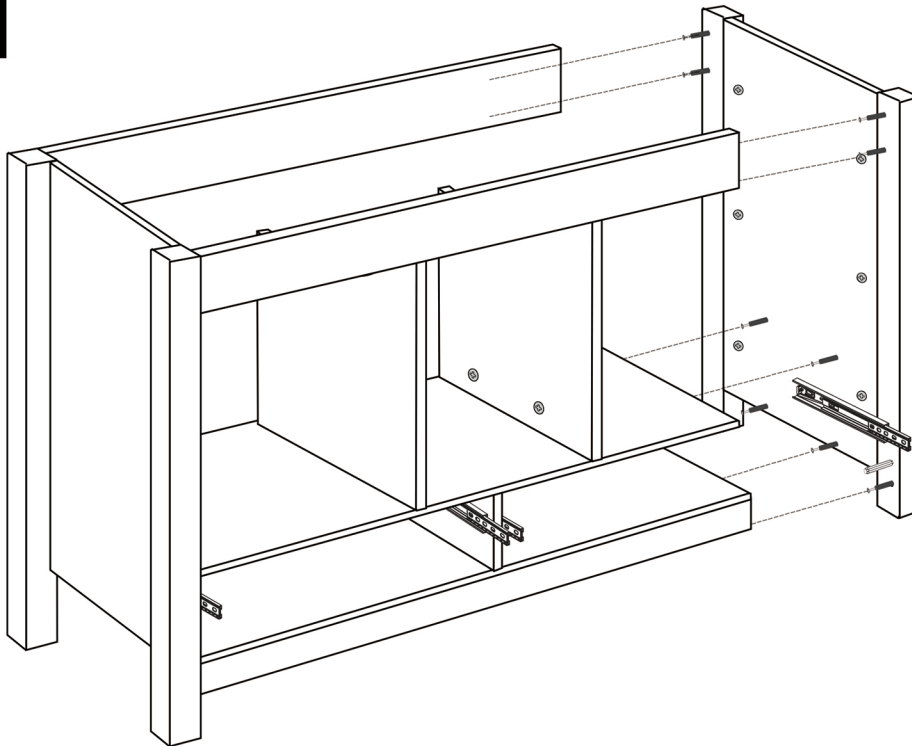
Lock with 3.5x12
self-correcting screw



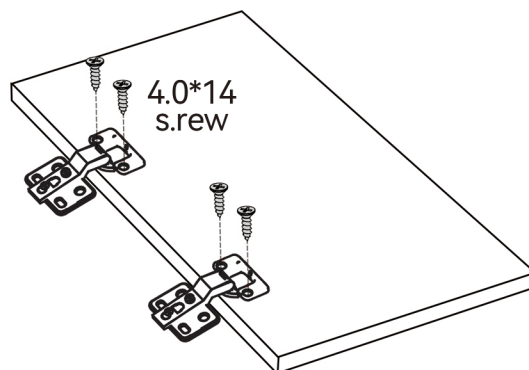
Step 9



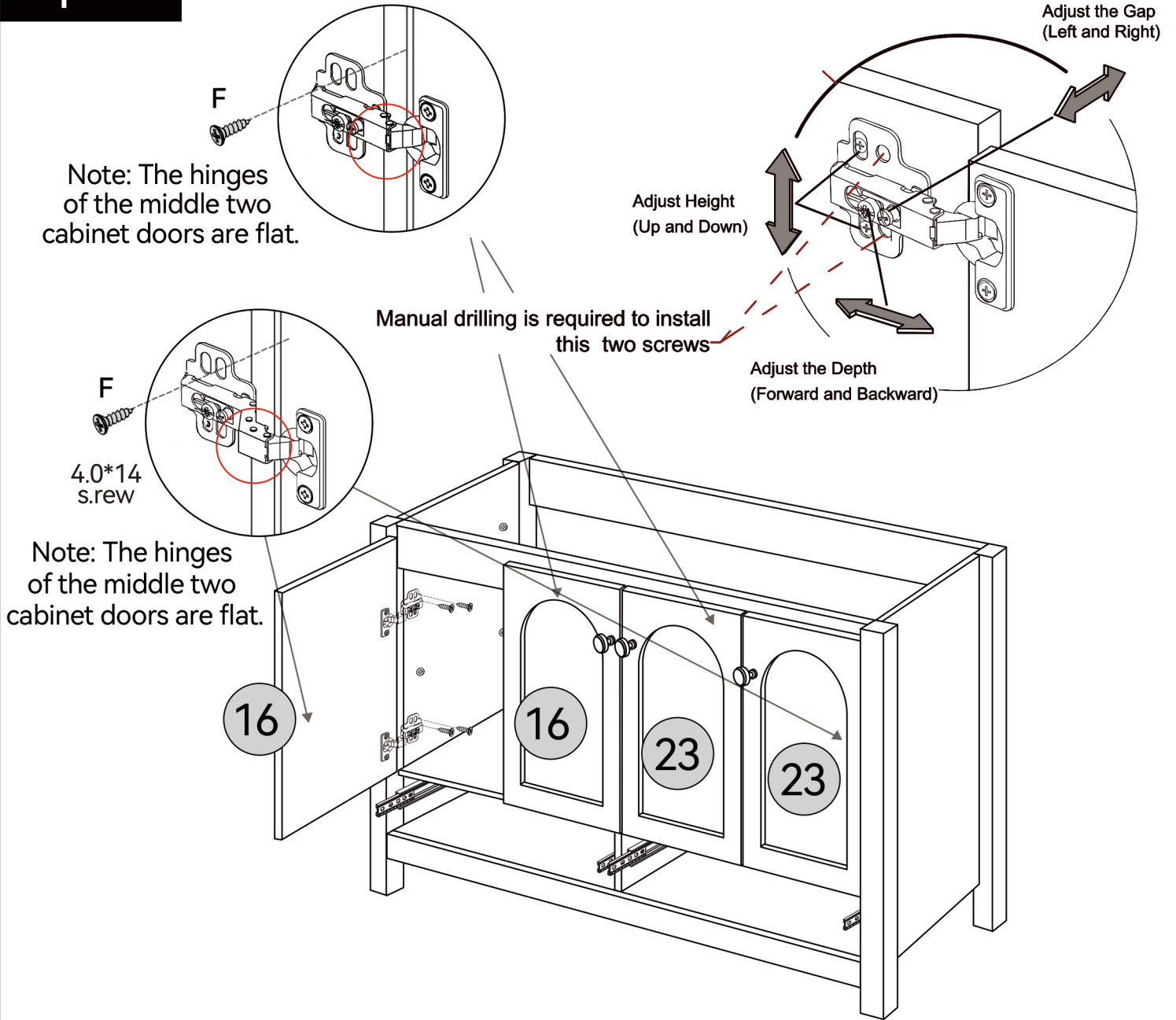
Step 10



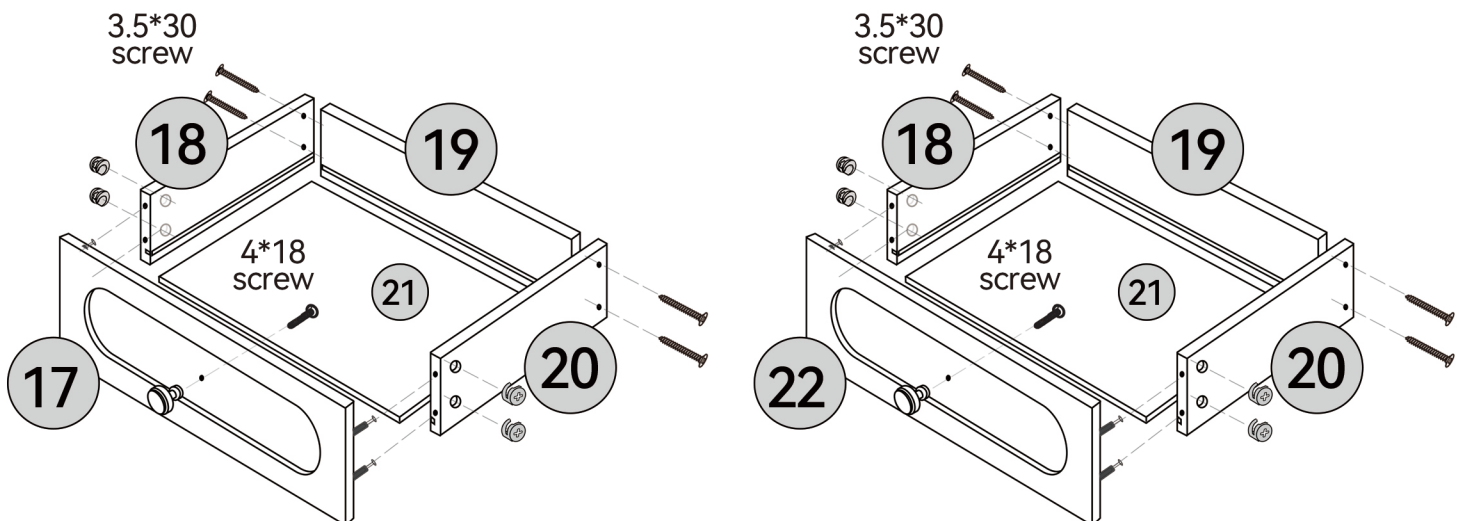
Step 11



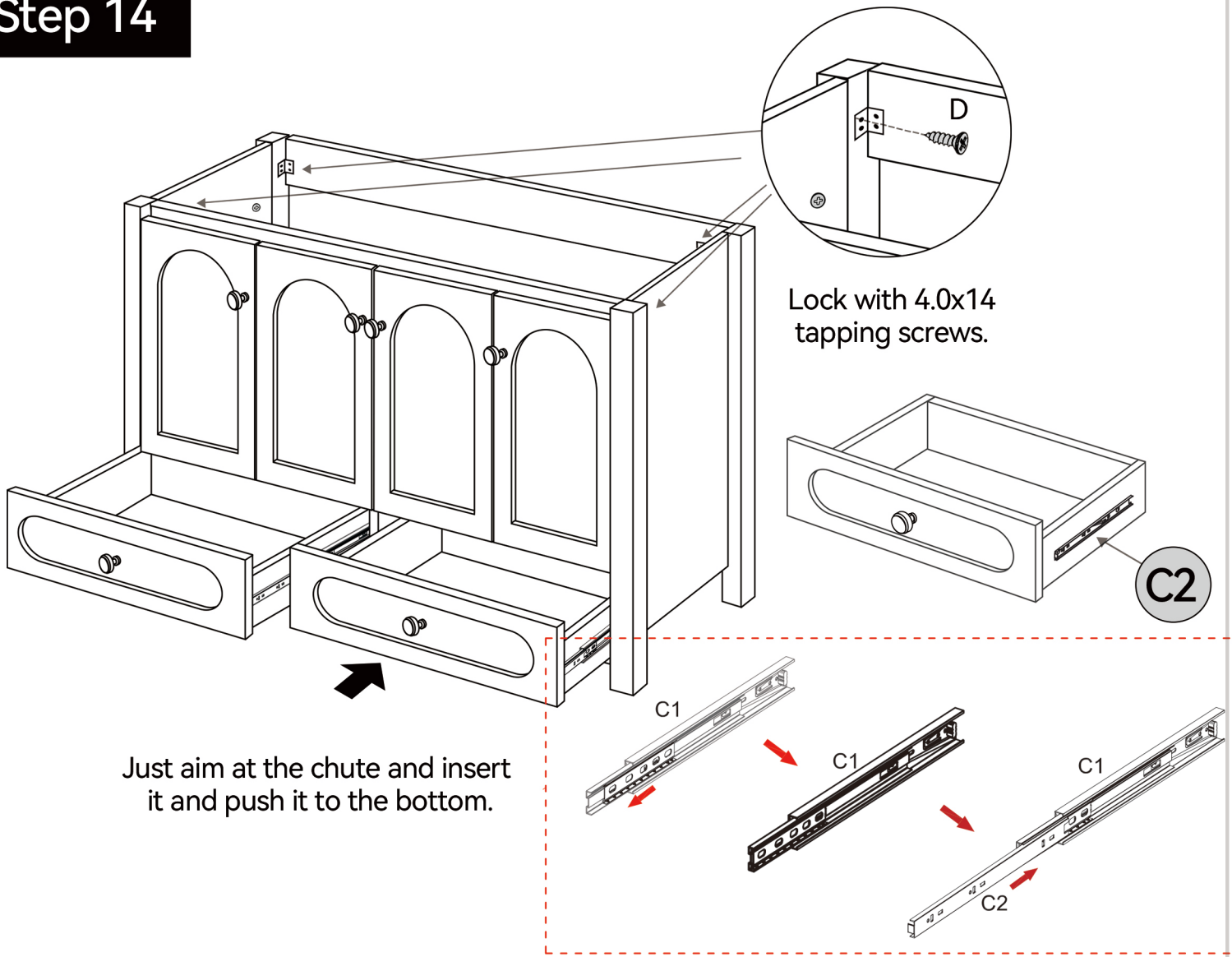
Step 12



Step 13

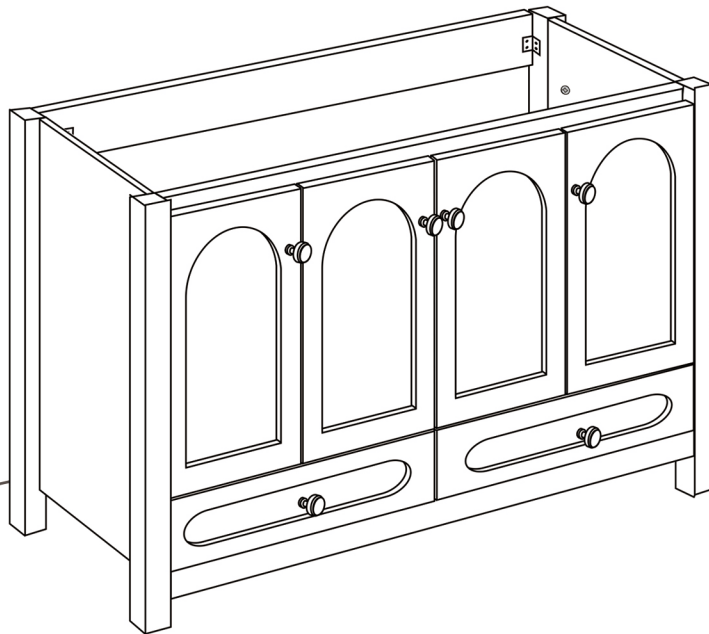


Step 14

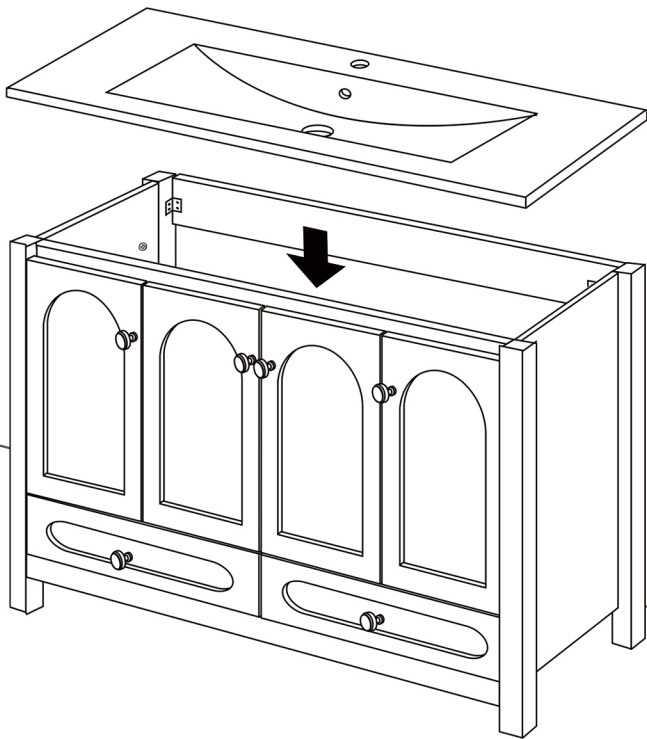


Just aim at the chute and insert it and push it to the bottom.

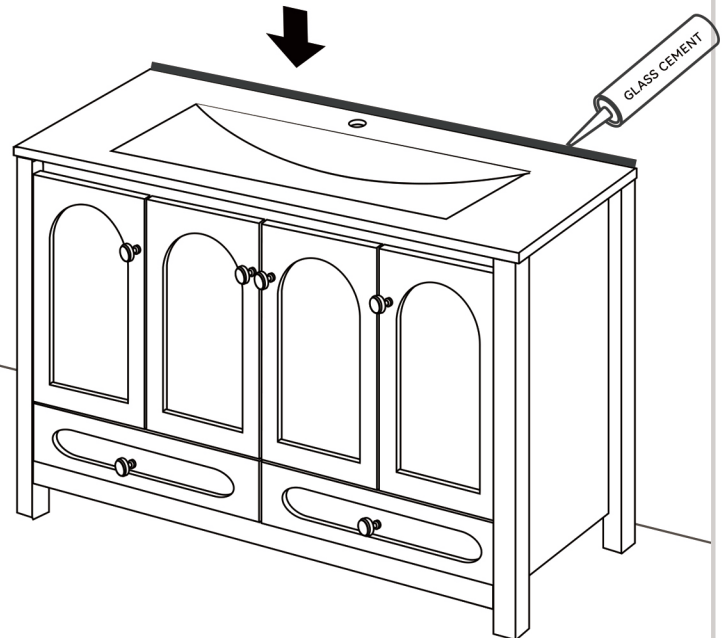
Step 15



Step 16



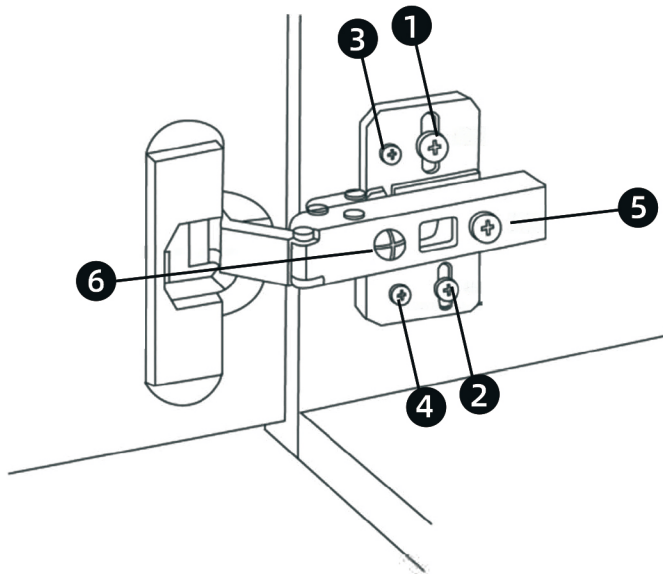
Step 17



CARE CLEANING AND MAINTENANCE

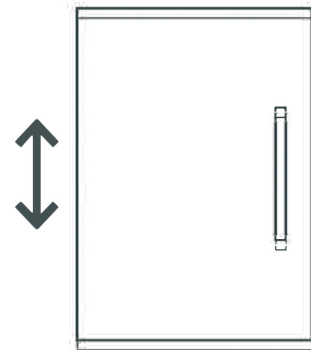
1. Dust regularly with a soft, dry cloth.
2. Avoid the use of all chemicals household cleaners, abrasives, or cleaners that contain lemon, vinegar, or other acids that may damage the finish.
3. Excessive exposure to sunlight and extreme changes in temperature and moisture can damage wood furniture.
4. The sink top is resilient, but care needs to be taken to preserve its appearance.
5. Do not place hot appliances, such as curling irons and hot hair dryers directly on the countertop. Wipe spills immediately.

HINGE ADJUSTMENTS



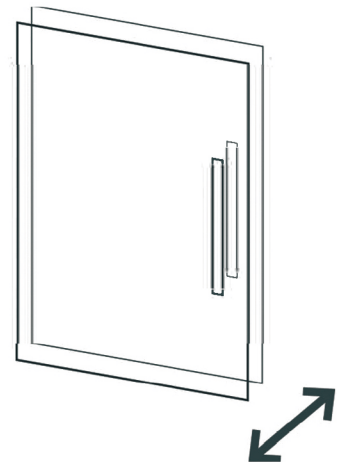
1 Height Adjustment by Screws No. 1,2, 3, and 4.

- Loosen all screws located on the sideboards.
- Move the door to the desired height.
- Tighten all screws securely.



2 Forward and Backward Adjustment by Screw No. 5:

- Loosen the screw found on the hinge.
- Position the door in the appropriate location.
- Tighten the screw to secure the door.



3 Sideways/Tilt Adjustment by Screw No. 6:

- Turn the screw clockwise to shift the door further away from the cabinet sideboard.
- Turn the screw counterclockwise to bring the door closer to the cabinet sideboard.

