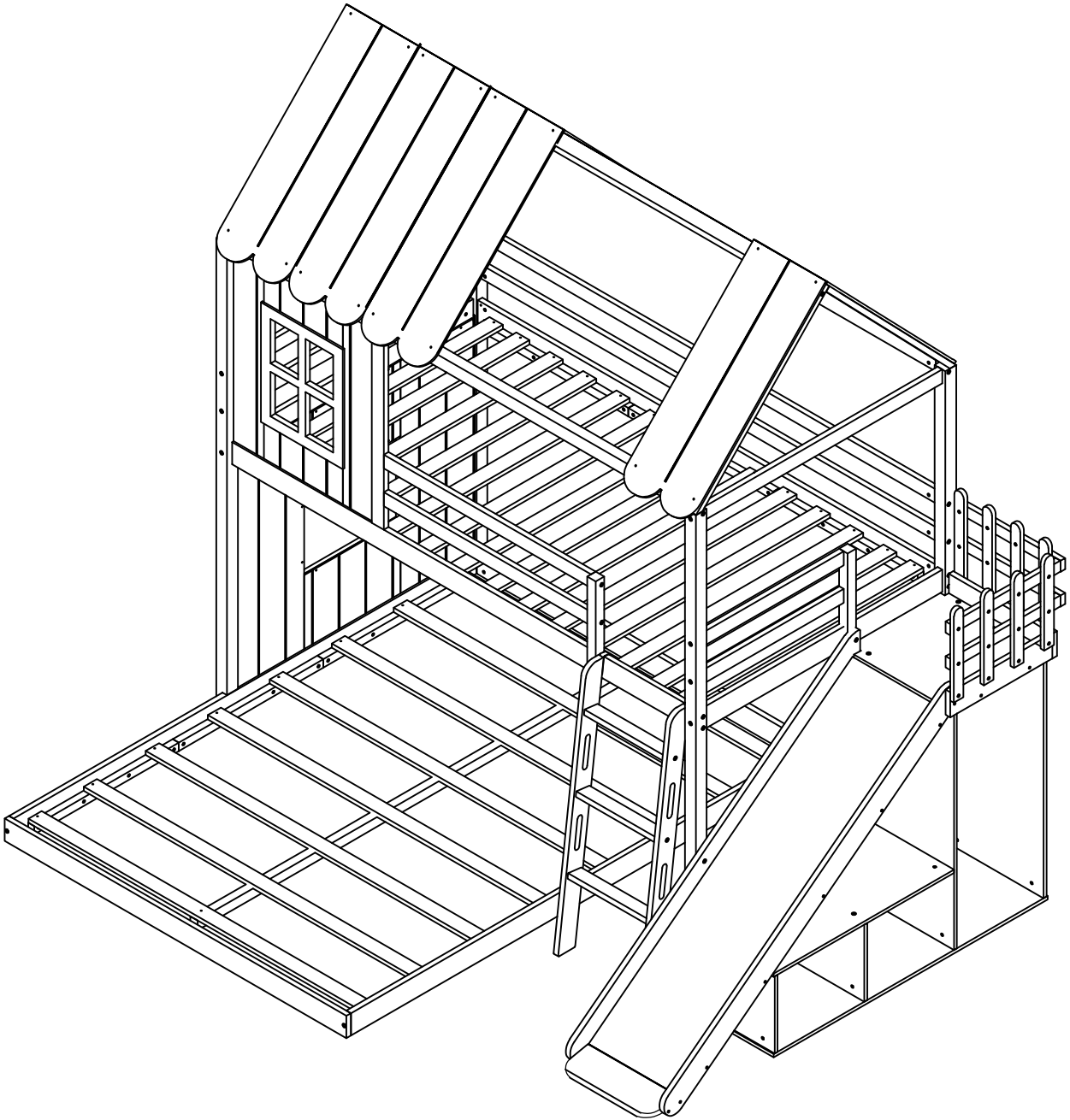


ASSEMBLY INSTRUCTION

SKU CODE: (H00040)





SAFETY WARNING



1. This bed is designed for use only mattress (es) meeting the following specifications on the upper bunk:

Upper bunk (bunk bed and tribed included)

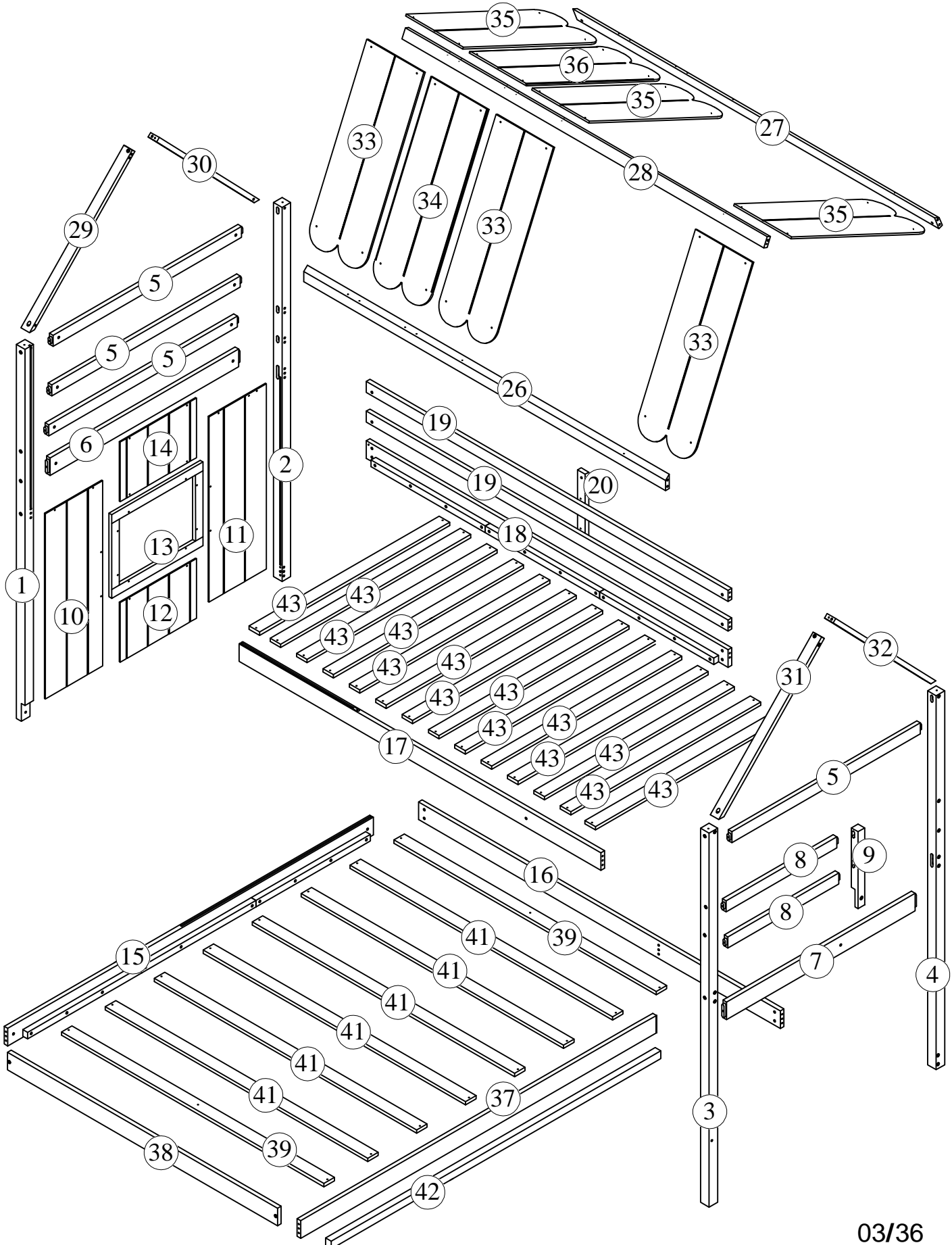
Bed type	Length	Width	Thickness
Twin Standard	75"	38"	6" max

Lower bunk

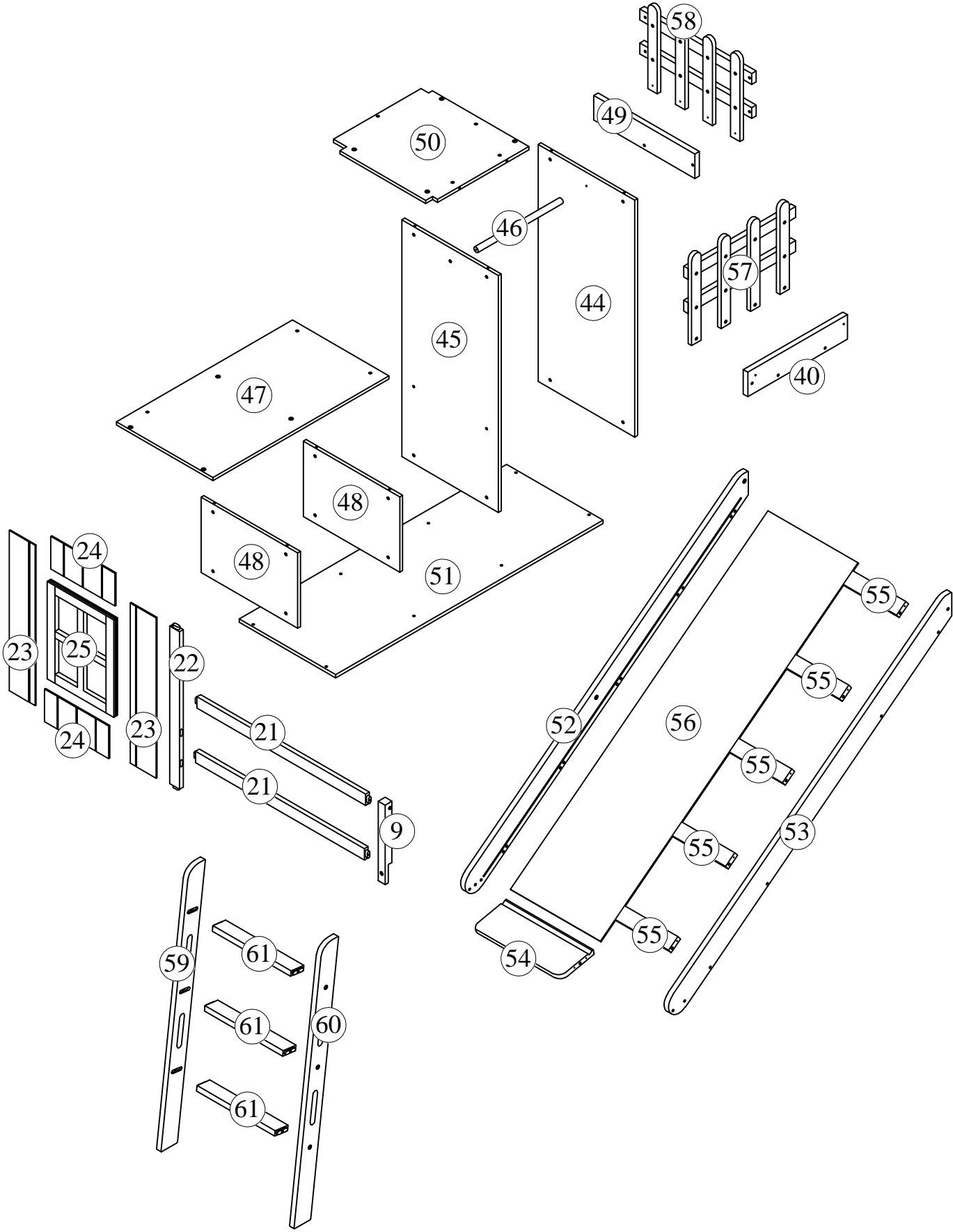
Bed type	Length	Width	Thickness
Full Standard	75"	54"	8" max

2. Replacement parts, including additional guardrails, maybe obtained from any of our (YEUK FUNG GQ INTERNATIONAL LIMITED . FLAT/RM 1602, 16/F MULTIFIELD COMMERCIAL CENTRE, 426 SHANGHAI STREET MONGKOK KL)dealers
3. Follow the information on the warnings appearing on the upper bunk bed end structure and on the carton. Do not remove warning label from bed.
4. Always use the recommended size mattresses or mattress supports, or both, to help prevent the likelihood of entrapment or falls.
5. Surface of mattress must be at least 5" (127mm) below the upper edge of guardrails.
6. Do not allow children under 6 years of age to use the upper bunk.
7. Periodically check and ensure that the guardrail, ladder, and other components are in their proper position, free from damage, and that all connectors are tight.
8. Do not allow horseplay on or under the bed and prohibit jumping on the bed.
9. Always use the ladder for entering and leaving the upper bunk.
10. Do not use substitute part. Contact the manufacture or dealer for replacement part.
11. Use of a night light may provide added safety precaution for a child using the upper bunk.
12. Always use guardrails on both long sides of the upper bunk. If the bunk bed will be placed next to the wall, the guardrail that runs the full length of the bed should be placed against the wall to prevent entrapment between the bed and wall.
13. The use of water or sleep flotation mattresses is prohibited.
14. STRANGULATION HAZARD - Never attach or hang items to any part of the bunk bed that are not designed for use with the bed; for example, but not limited to, hook, belts and jump ropes.
15. Keep these instruction for future reference.
16. Prohibit more than one person on upper bunk
17. We recommend assembling your bunk bed on the shipping carton to protect your floor or carpet.
18. Be certain all staples are out of the box before beginning assembly on the shipping carton.


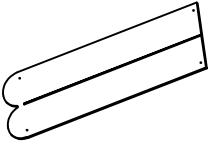
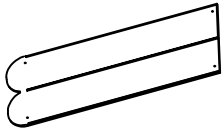
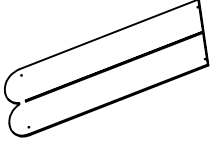


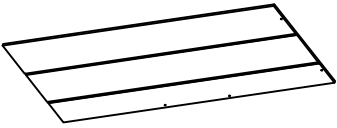
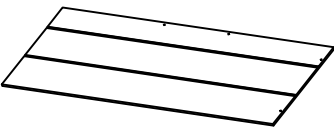
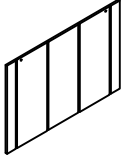
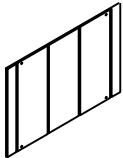
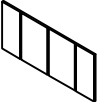
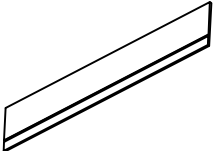


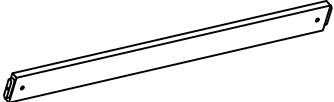
ASSEMBLY INSTRUCTION





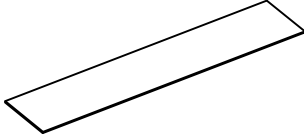
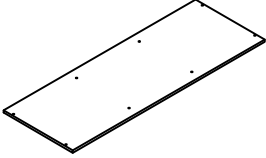
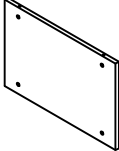
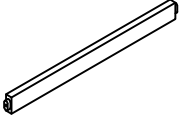
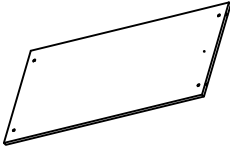
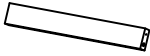

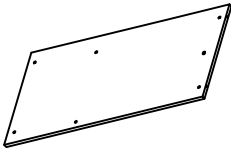
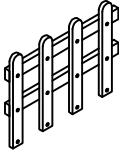
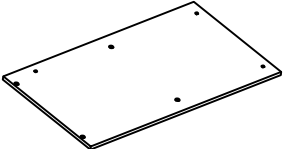

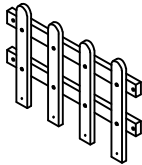
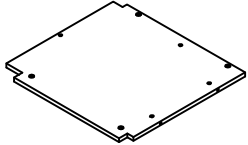
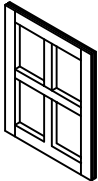

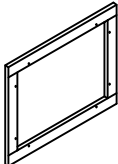
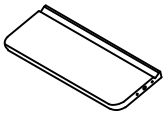
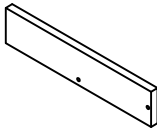
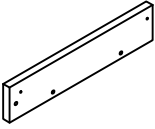
ASSEMBLY INSTRUCTION



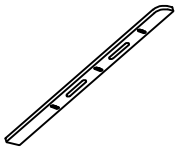
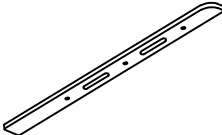
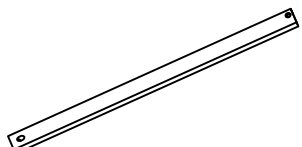
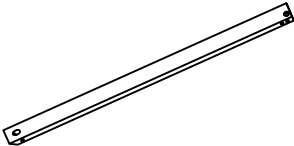
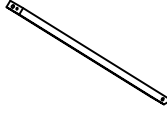
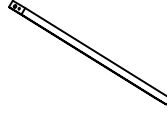
Part List (Box 1/3)-Hardware in box

<p>43</p>  <p>Slats - 14pcs</p>	<p>33</p>  <p>Front roof-3pcs</p>	<p>34</p>  <p>Front roof-1pc</p>
<p>35</p>  <p>Rear roof-3pcs</p>	<p>36</p>  <p>Rear roof-1pc</p>	<p>5</p>  <p>Upper Horizontal hip bar - 4pcs</p>
<p>10</p>  <p>Front left hip panel -1pcs</p>	<p>11</p>  <p>Rear left hip panel -1pcs</p>	<p>12</p>  <p>Lower left hip panel -1pcs</p>
<p>14</p>  <p>Upper left hip panel -1pcs</p>	<p>24</p>  <p>Window - bottom -2pcs</p>	<p>23</p>  <p>Window -2pcs</p>
<p>22</p>  <p>Standing front -1pc</p>	<p>21</p>  <p>Front railing -2pcs</p>	<p>6</p>  <p>Lower left hip bar -1pc</p>

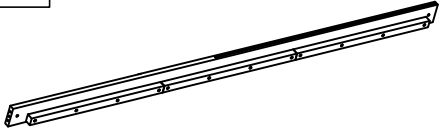


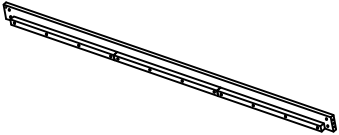
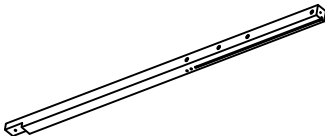
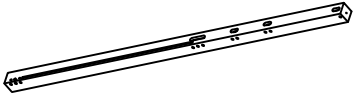
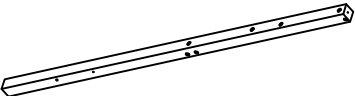
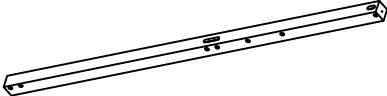
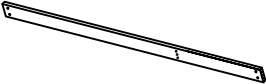

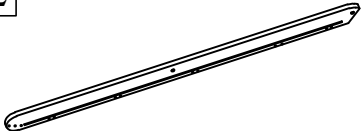
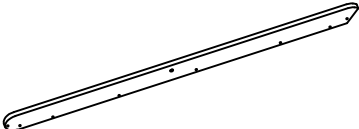
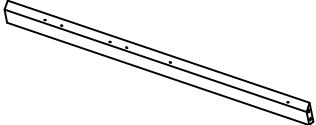
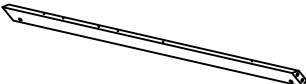
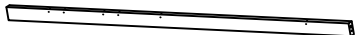


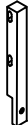
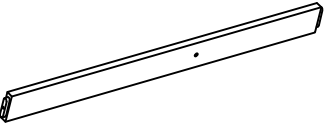
Part List (Box 2/3)

<p>39</p>  <p>Slats - 2pcs</p>	<p>41</p>  <p>Slats - 6pcs</p>	<p>56</p>  <p>Top panel - slide - 1pc</p>
<p>51</p>  <p>Bottom of shelf - 1pc</p>	<p>48</p>  <p>Bottom left shelf - 2pcs</p>	<p>8</p>  <p>Right hip bar - 2pcs</p>
<p>44</p>  <p>Side panel on right shelf - 1pc</p>	<p>55</p>  <p>Support slide - 5pcs</p>	<p>61</p>  <p>Stairs bar - 3pcs</p>
<p>45</p>  <p>Right middle shelf side panel - 1pc</p>	<p>57</p>  <p>Side railing frame - 1pc</p>	<p>47</p>  <p>Shelf roof board - 1pc</p>
<p>20</p>  <p>Rear railing connection - 1pc</p>	<p>58</p>  <p>Rear railing frame - 1pc</p>	<p>50</p>  <p>Roof top shelf- 1pc</p>
<p>25</p>  <p>Front frame - 1pc</p>	<p>46</p>  <p>Hanging frame - 1pc</p>	<p>13</p>  <p>Left panel frame - 1pc</p>
<p>54</p>  <p>Slide bar - 1pc</p>	<p>49</p>  <p>Rear railing frame - 1pc</p>	<p>40</p>  <p>Side railing frame - 1pc</p>












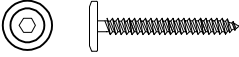
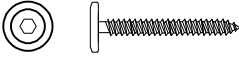
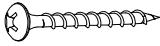
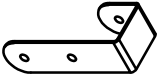
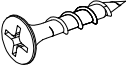
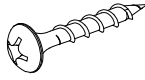
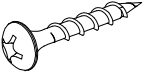
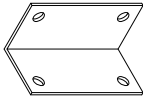
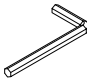
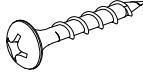
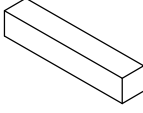
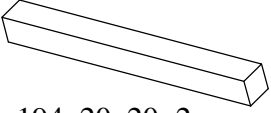
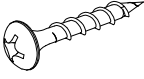
Part List (Box 2/3)

<p>59</p>  <p>Stairs vertical-left - 1pc</p>	<p>60</p>  <p>Stairs vertical-right - 1pc</p>	<p>31</p>  <p>Roof frame front - right - 1pc</p>
<p>29</p>  <p>Roof frame front - left - 1pc</p>	<p>30</p>  <p>Roof frame back- left - 1pc</p>	<p>32</p>  <p>Roof frame back- right - 1pc</p>

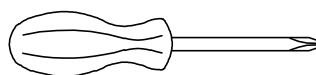
Part List (Box 3/3)

<p>15</p>  <p>Bottom side rail of left side - 1pc</p>	<p>37</p>  <p>Bottom side rail of right side - 1pc</p>	<p>17</p>  <p>Upper side rail of front bed - 1pc</p>
<p>18</p>  <p>Upper side rail of back bed- 1pc</p>	<p>1</p>  <p>Left leg of front side - 1pc</p>	<p>2</p>  <p>Right leg of back side - 1pc</p>
<p>3</p>  <p>Left leg of front side - 1pc</p>	<p>4</p>  <p>Right leg of back side-1pc</p>	<p>16</p>  <p>Rear lower bed shoulder -1pc</p>
<p>19</p>  <p>Rear railing -2pcs</p>	<p>52</p>  <p>Left slide frame - 1pc</p>	<p>53</p>  <p>Right slide frame - 1pc</p>
<p>26</p>  <p>Front horizontal frame - 1pc</p>	<p>27</p>  <p>Rear horizontal frame -1pc</p>	<p>28</p>  <p>Roof frame -1pc</p>
<p>38</p>  <p>Shoulders bed front - 1pc</p>	<p>42</p>  <p>Flap support bar - 1pc</p>	<p>9</p>  <p>Front handrail - 2pcs</p>
<p>7</p>  <p>Lower right hip bar - 1pc</p>		

Hardware List - (H00040)

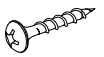
<p>A</p>  <p>Ø8 x 30 mm Wood dowel-38pcs</p>	<p>B</p>  <p>D13 x Ø1/4" x 80 mm Hex-Head bolts-38pcs</p>	<p>C</p>  <p>D13 x Ø1/4" x 70 mm Hex-Head bolts-4pcs</p>
<p>D</p>  <p>D13 x Ø1/4" x 60 mm Horizontal-Hole bolts-12pcs</p>	<p>E</p>  <p>D13 x Ø1/4" x 50 mm Horizontal-Hole bolts-18pcs</p>	<p>F</p>  <p>D13 x Ø1/4" x 45 mm Horizontal-Hole bolts-1pc</p>
<p>G</p>  <p>D13 x Ø1/4" x 30 mm Horizontal-Hole bolts-1pc</p>	<p>H</p>  <p>D13 x Ø1/4" x 25 mm Horizontal-Hole bolts-1pc</p>	<p>I</p>  <p>Horizontal - Hold bolts Ø1/4"x12 - 72pcs</p>
<p>J</p>  <p>Canopy head though / Ø1/4" x15 - 3pcs</p>	<p>L</p>  <p>Hexagonal bolts catch wood D13 x Ø1/4" * 60 - 2pcs</p>	<p>K</p>  <p>Hexagonal bolts catch wood D13 x Ø1/4" * 40 - 21pcs</p>
<p>M</p>  <p>Hexagonal bolts catch wood D13 x Ø1/4" * 30 - 10pcs</p>	<p>N</p>  <p>M4 x 35 mm Wood Screws-48pcs</p>	<p>O</p>  <p>U bracket- 2 pcs</p>
<p>P</p>  <p>M4 x 20 mm Wood Screws-6pcs</p>	<p>Q</p>  <p>M4 x 20 mm Wood Screws 32pcs</p>	<p>R</p>  <p>M4 x 15 mm Wood Screws 18pcs</p>
<p>S</p>  <p>Angle Metal-2pcs</p>	<p>W</p>  <p>Allen Key 2pc</p>	<p>T</p>  <p>M3.5 x 12 mm Wood Screws 8pcs</p>
<p>X</p>  <p>79x20x20=2 Positioning block- 2pcs</p>	<p>Y</p>  <p>194x20x20=2 Positioning block- 2pcs</p>	<p>Z</p>  <p>M4 x 25 mm Wood Screws 8pcs</p>

ASSEMBLY TOOLS REQUIRED (NOT INCLUDED)

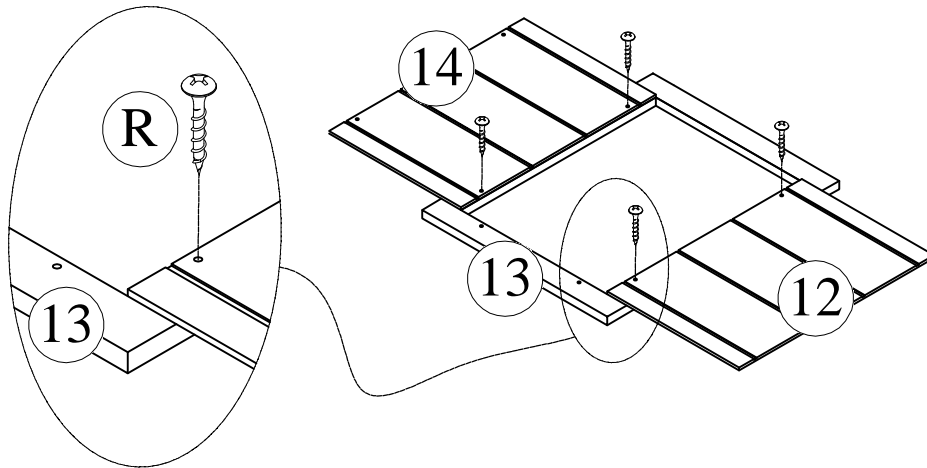


STEP-1:

R

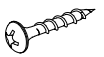


4PCS

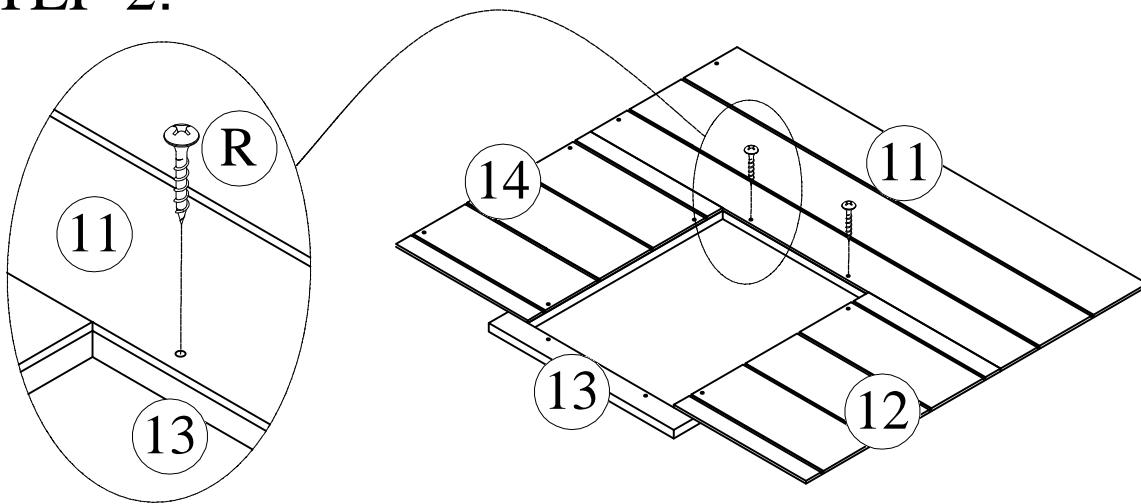


STEP-2:

R

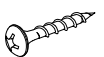


2PCS

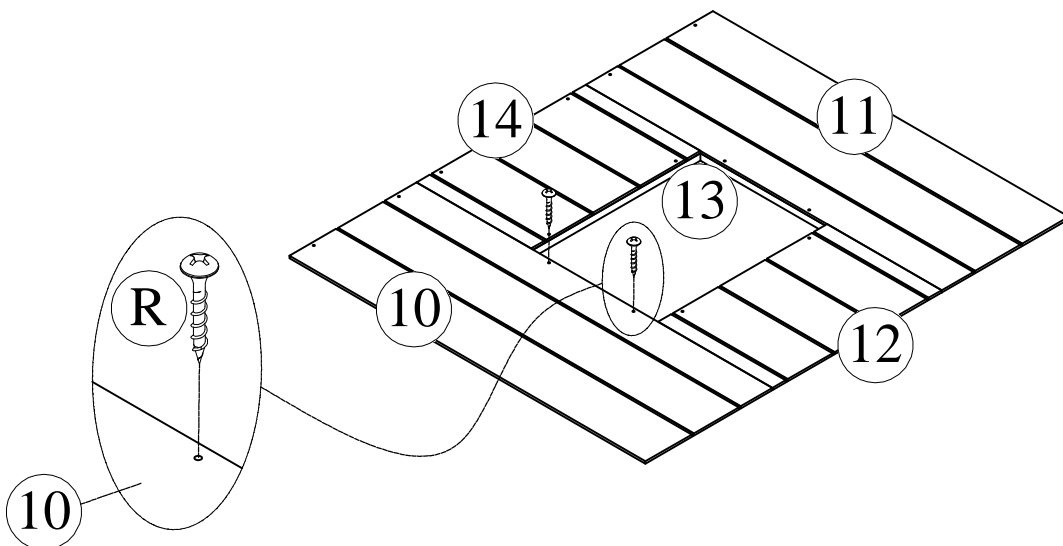


STEP-3:




R

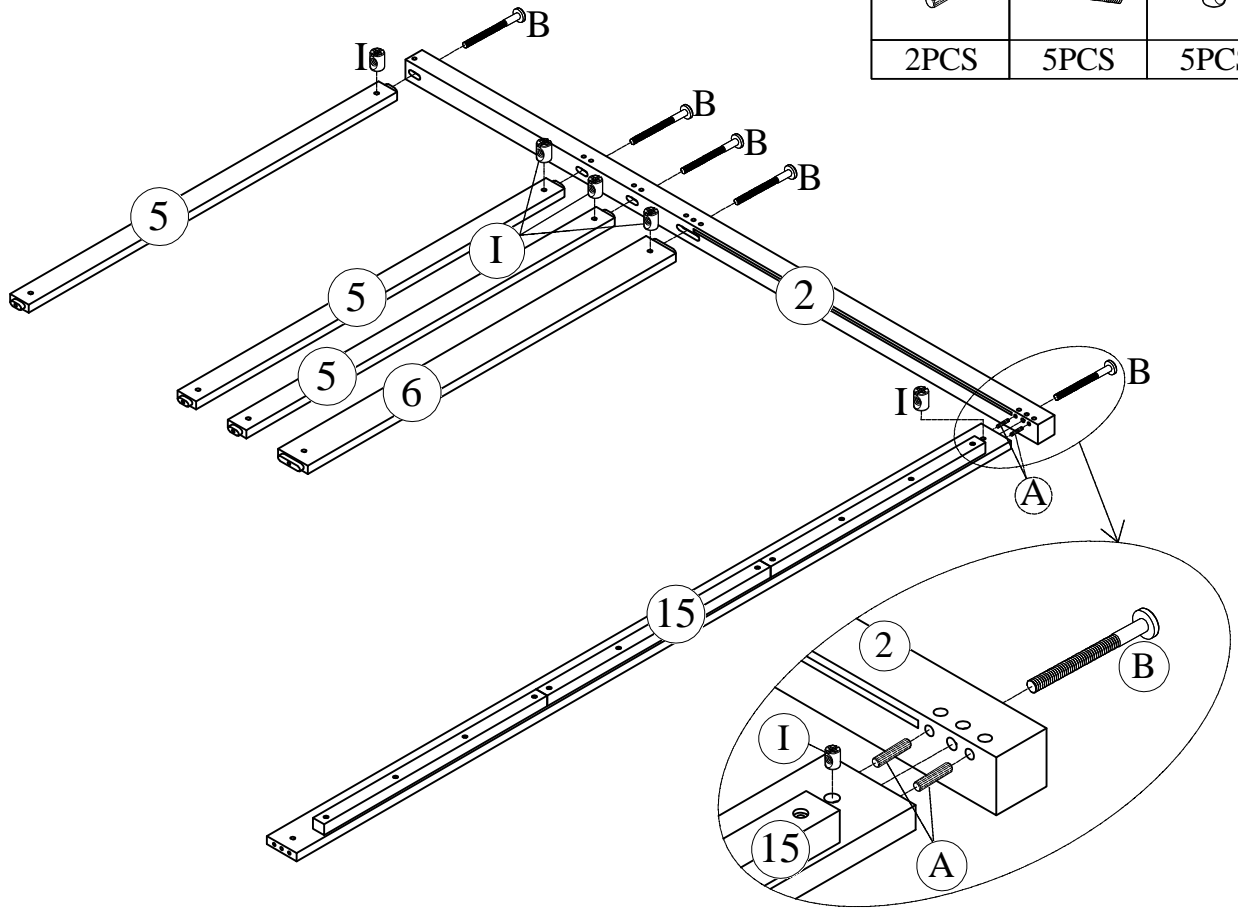


2PCS

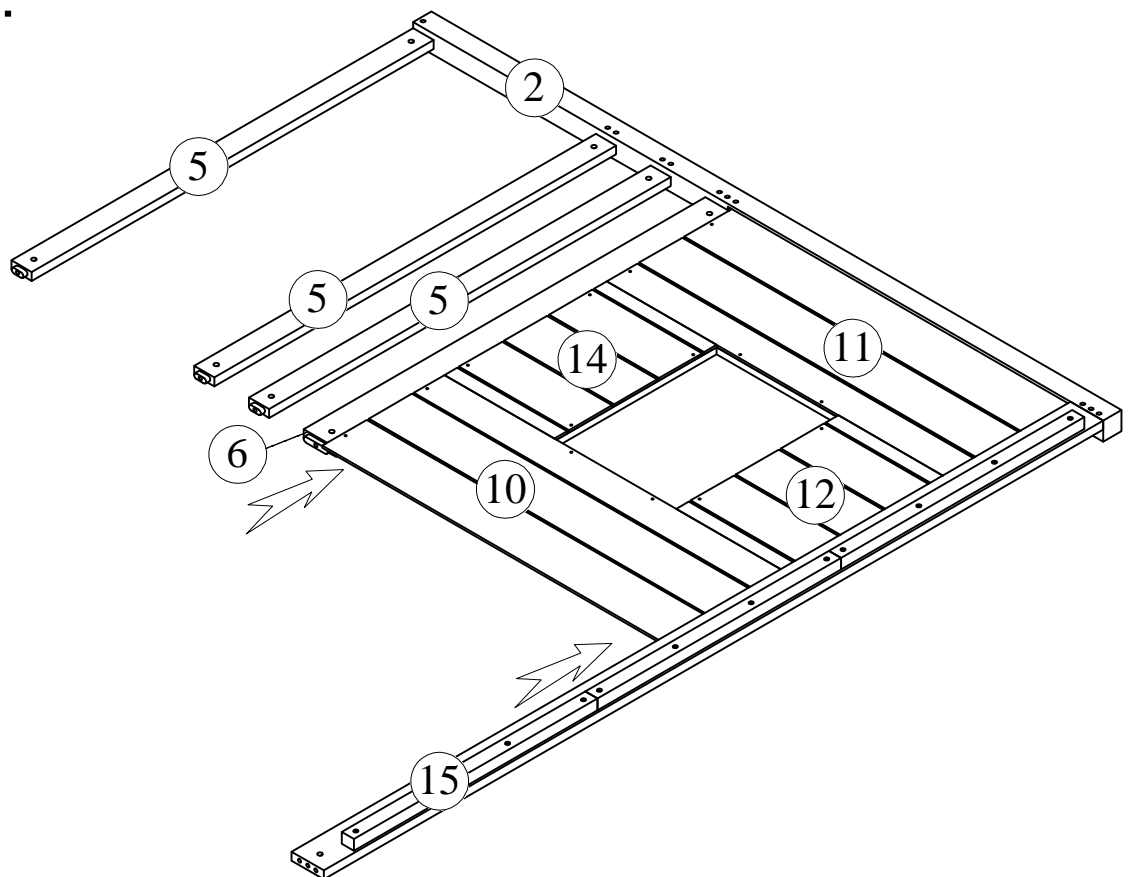


STEP-4:



A	B	I
		
2PCS	5PCS	5PCS

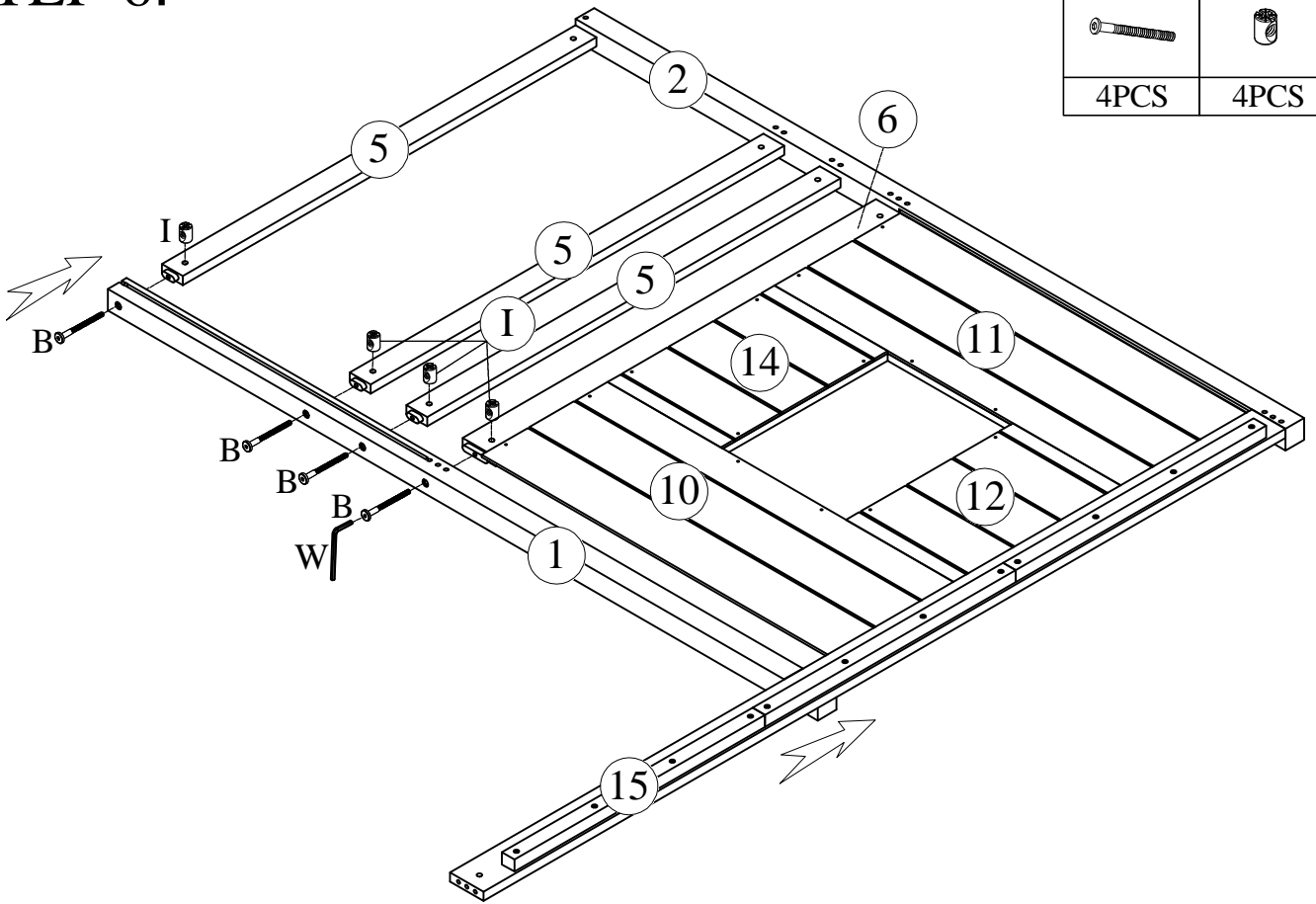


STEP-5:


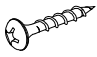


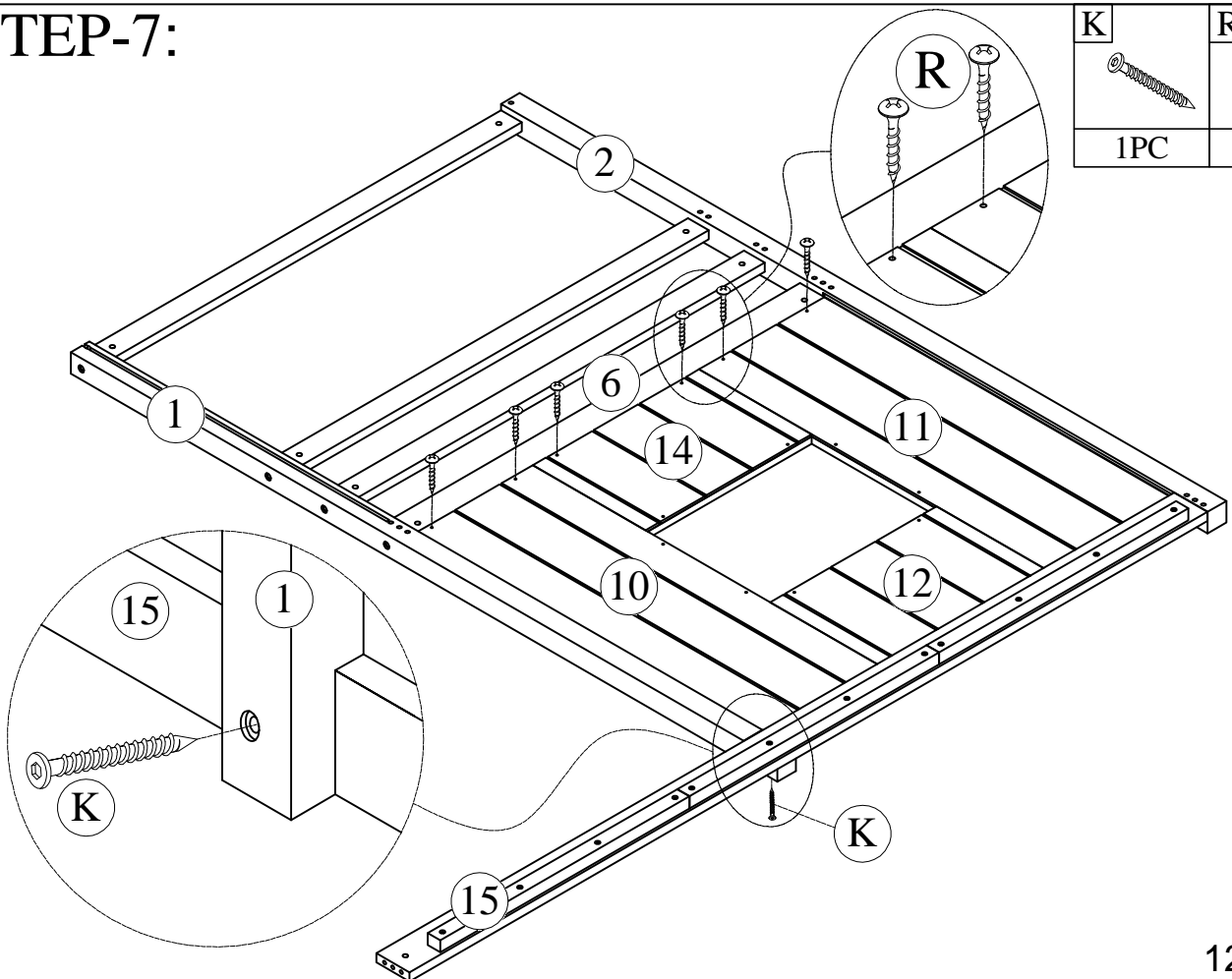
STEP-6:

B	I
	
4PCS	4PCS





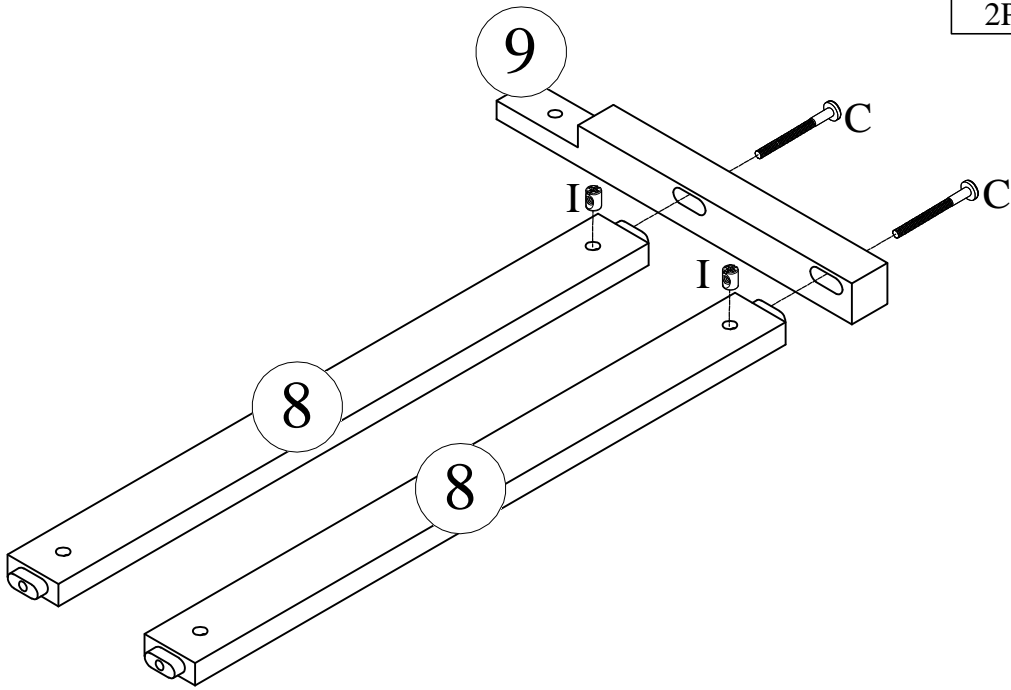
STEP-7:

K	R
	
1PC	6PCS





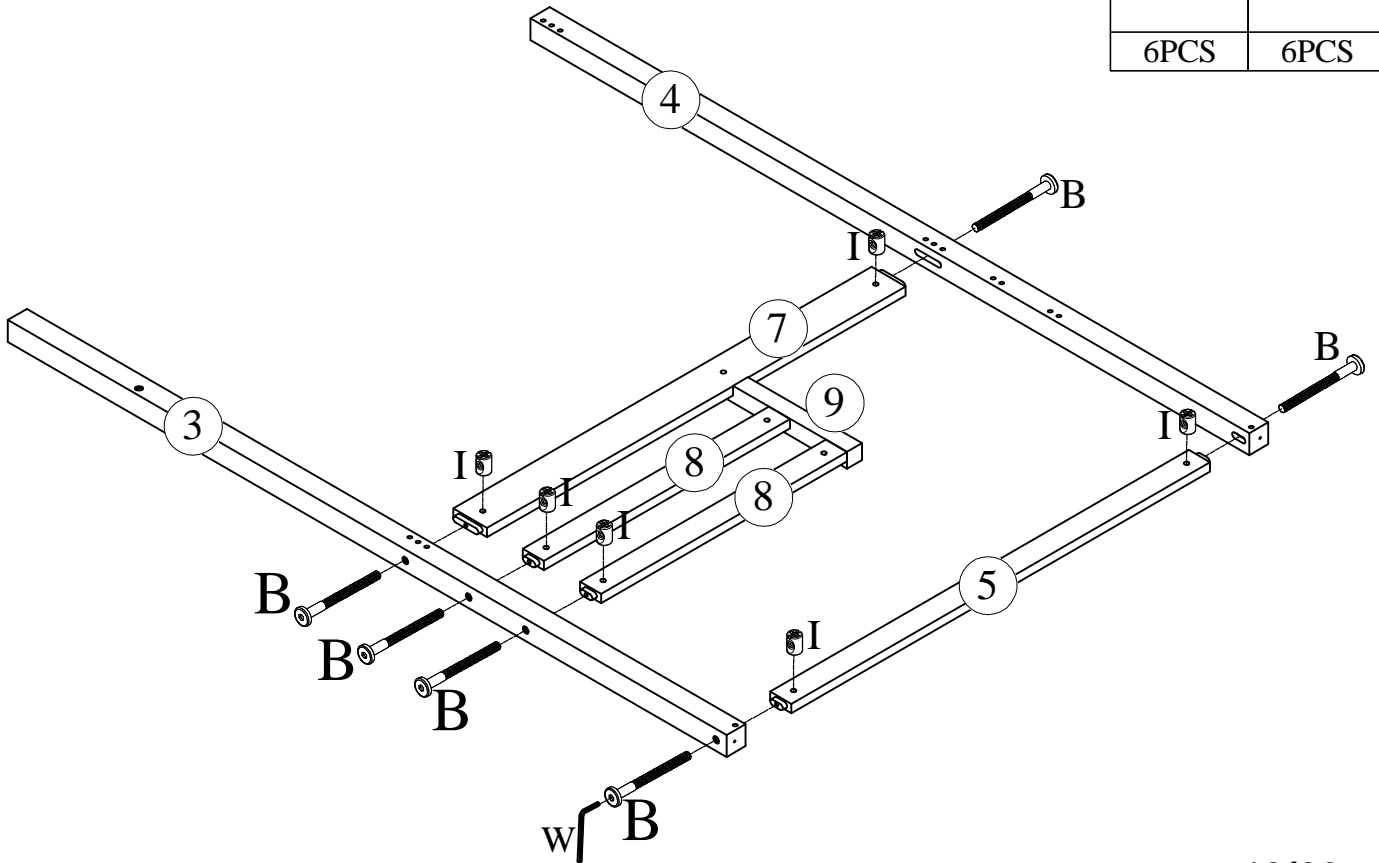
STEP-8:

C	I
	
2PCS	2PCS






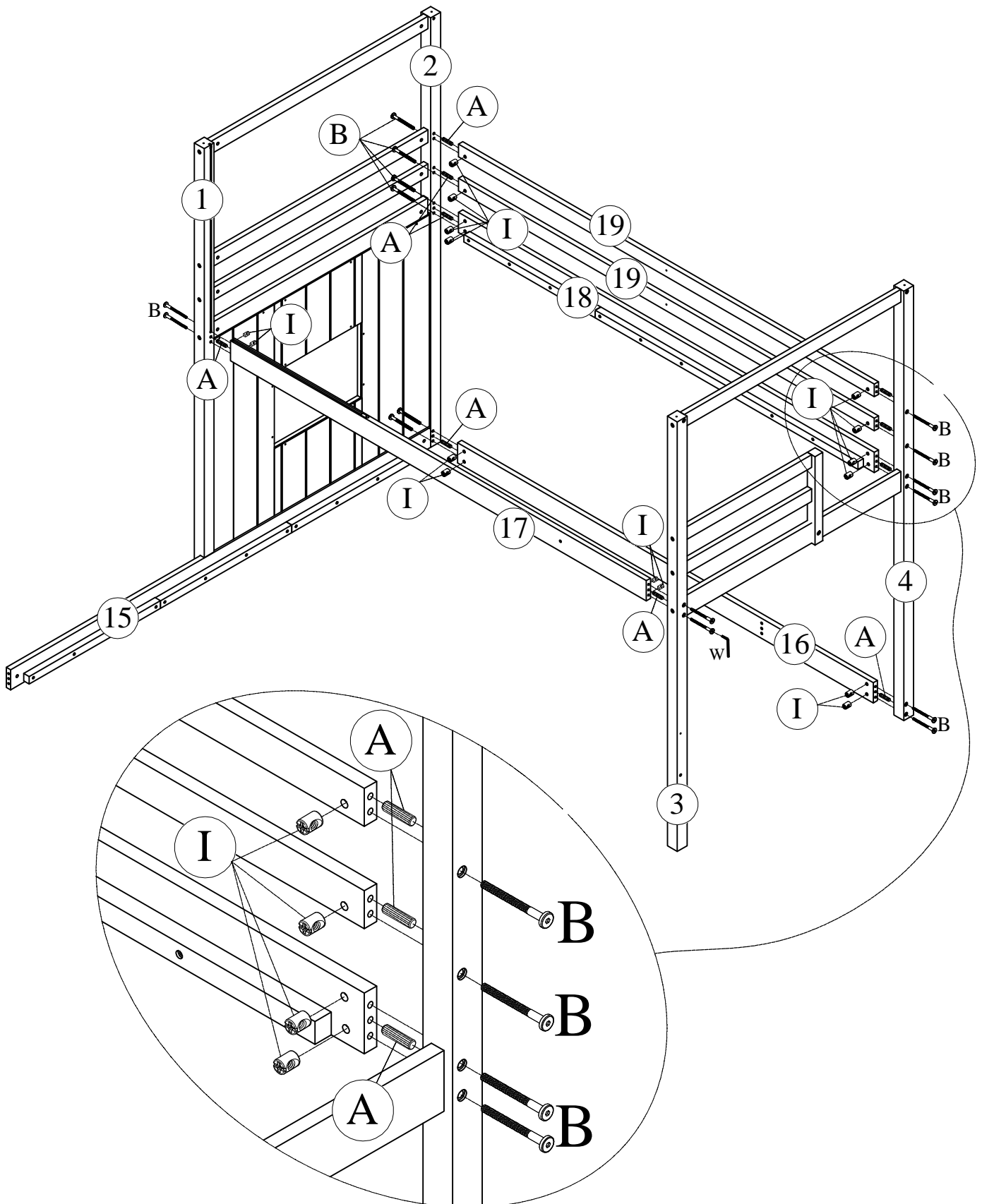
STEP-9:

B	I
	
6PCS	6PCS

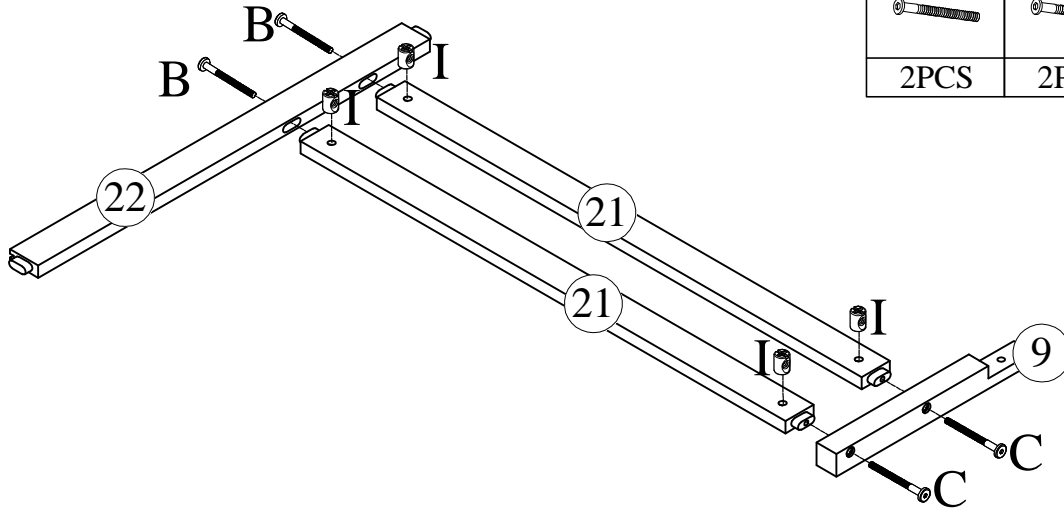





STEP-10:

A	B	I
		
10PCS	16PCS	16PCS

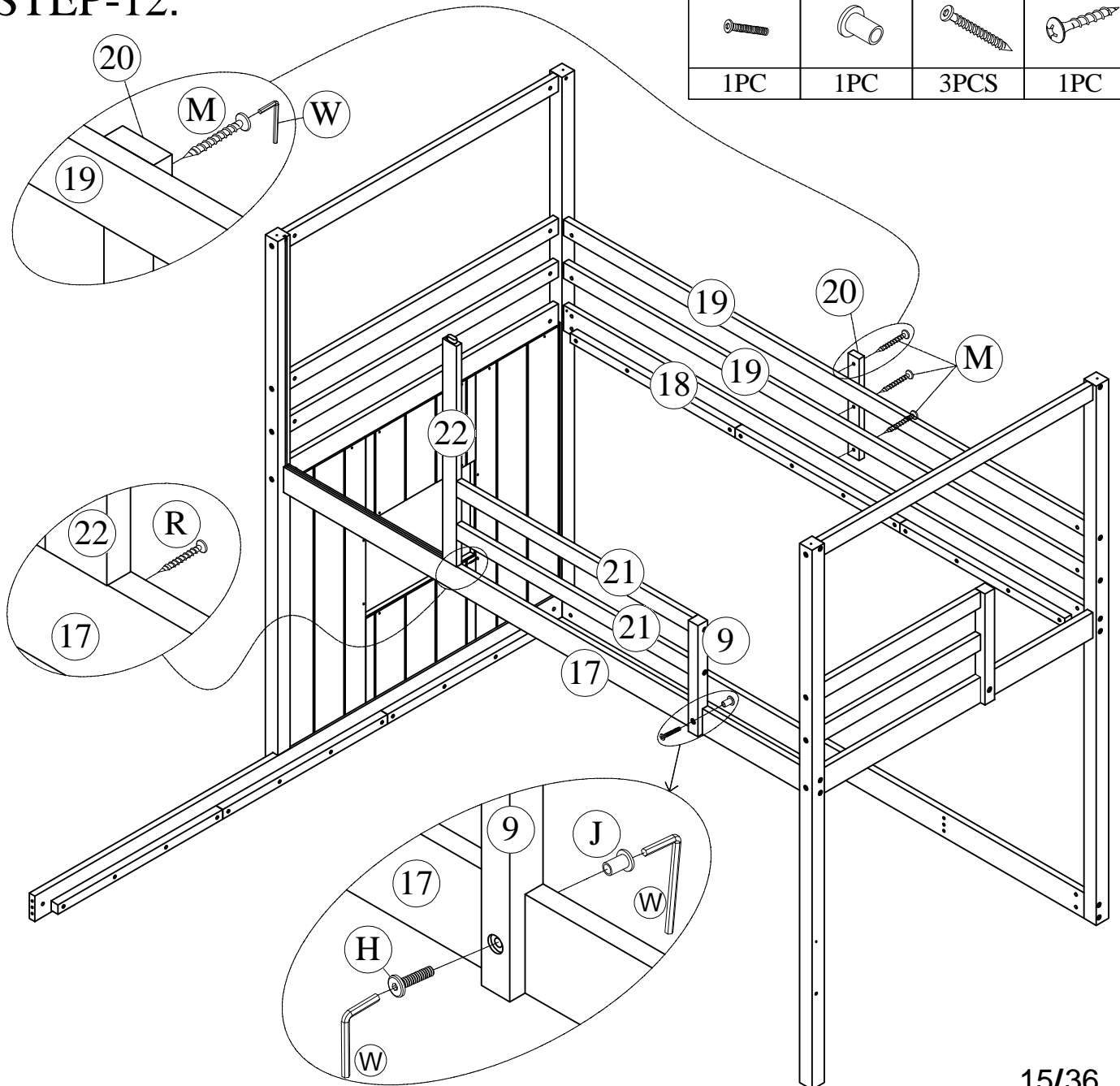





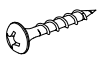
STEP-11:



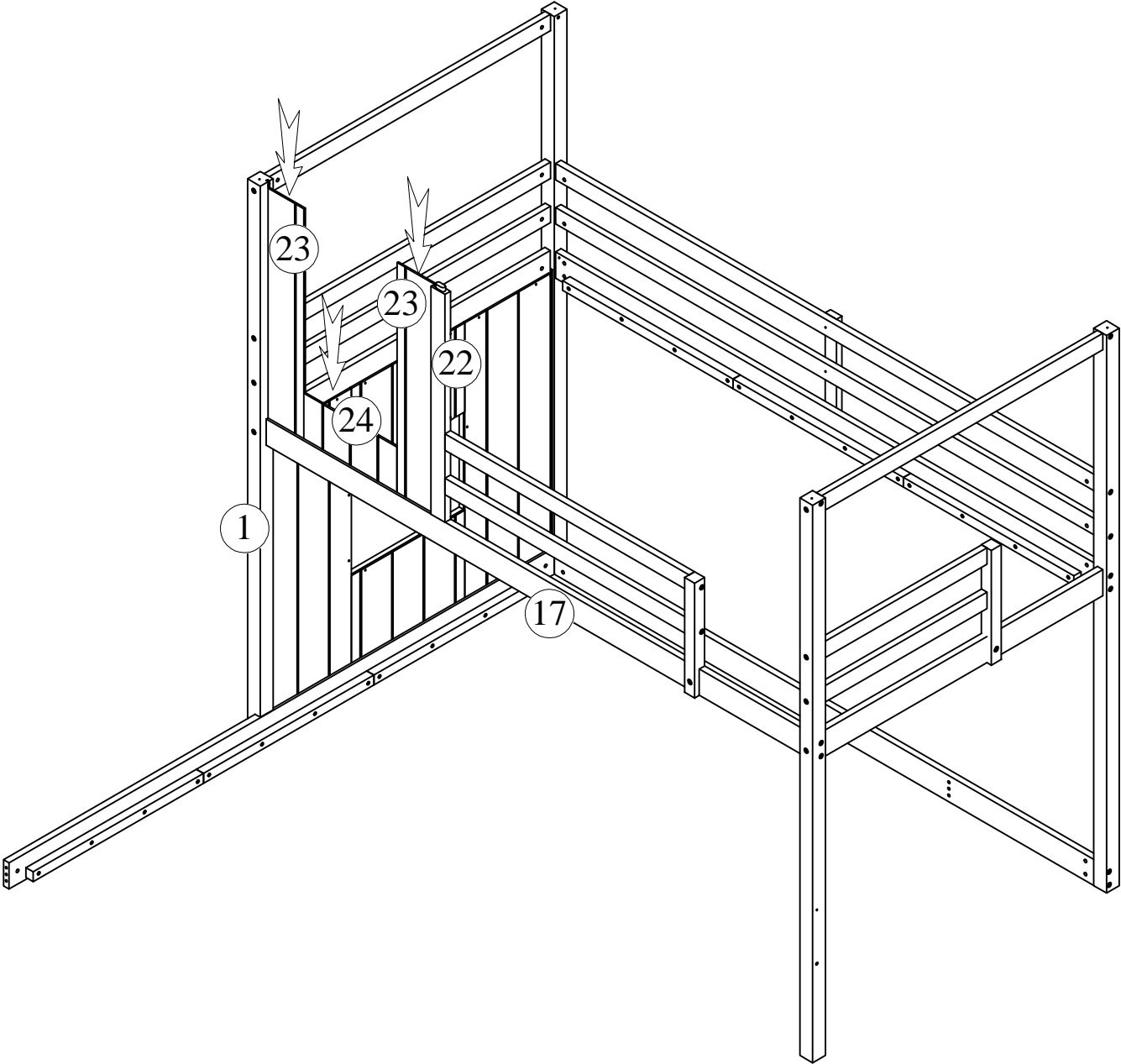
C	B	I
		
2PCS	2PCS	4PCS

STEP-12:

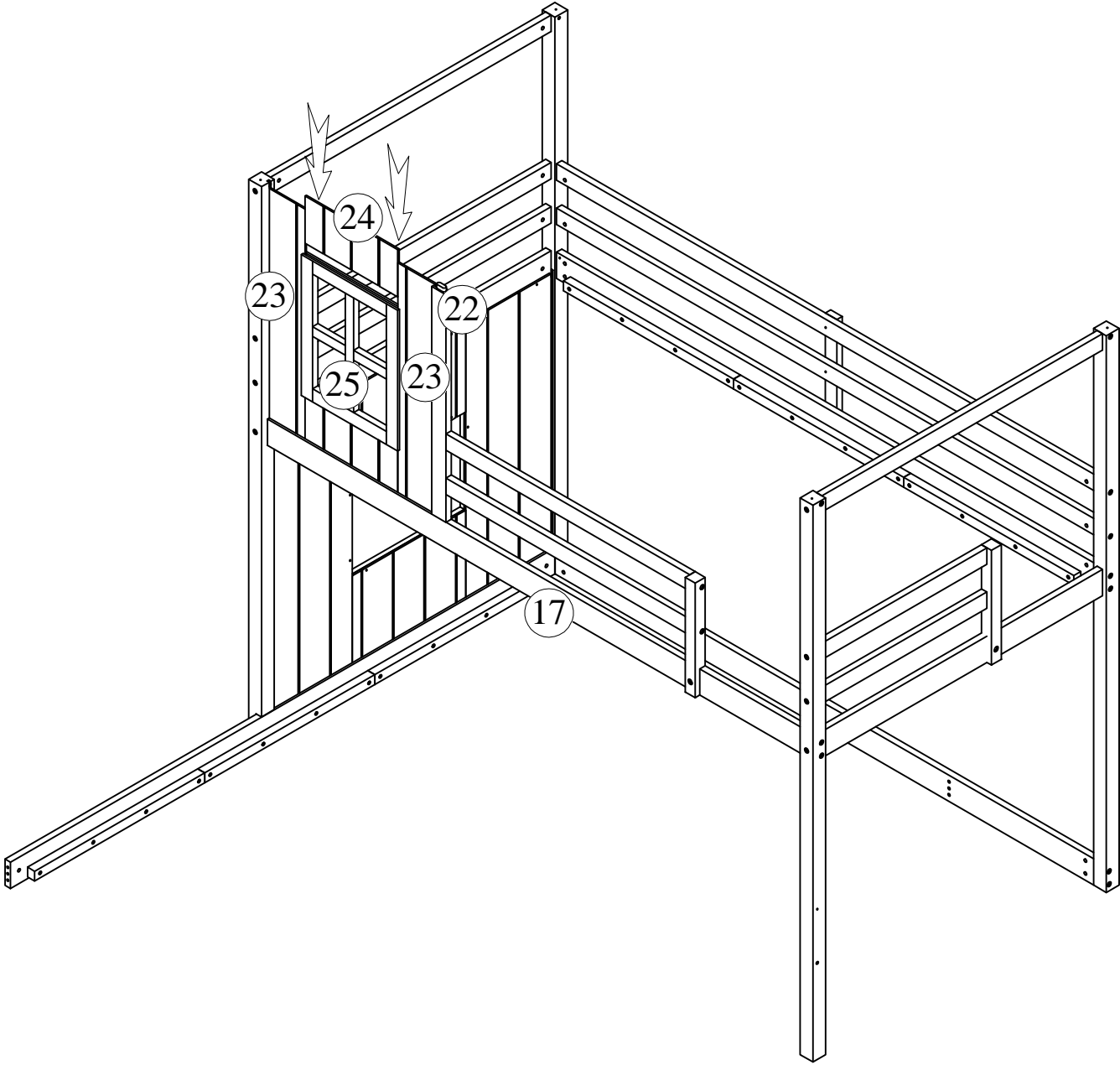


H	J	M	R
			
1PC	1PC	3PCS	1PC

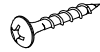


STEP-13:



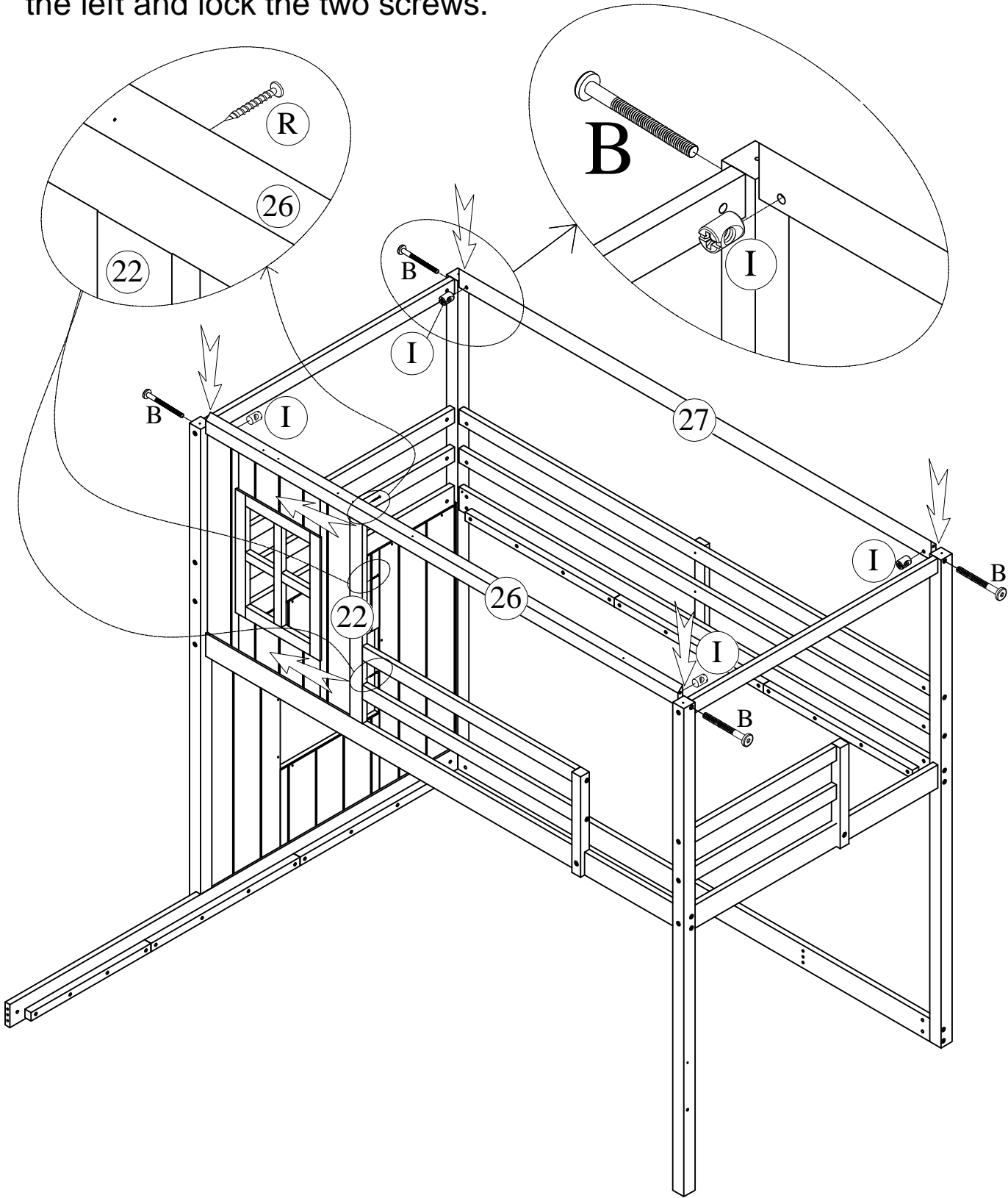
STEP-14:





STEP-15

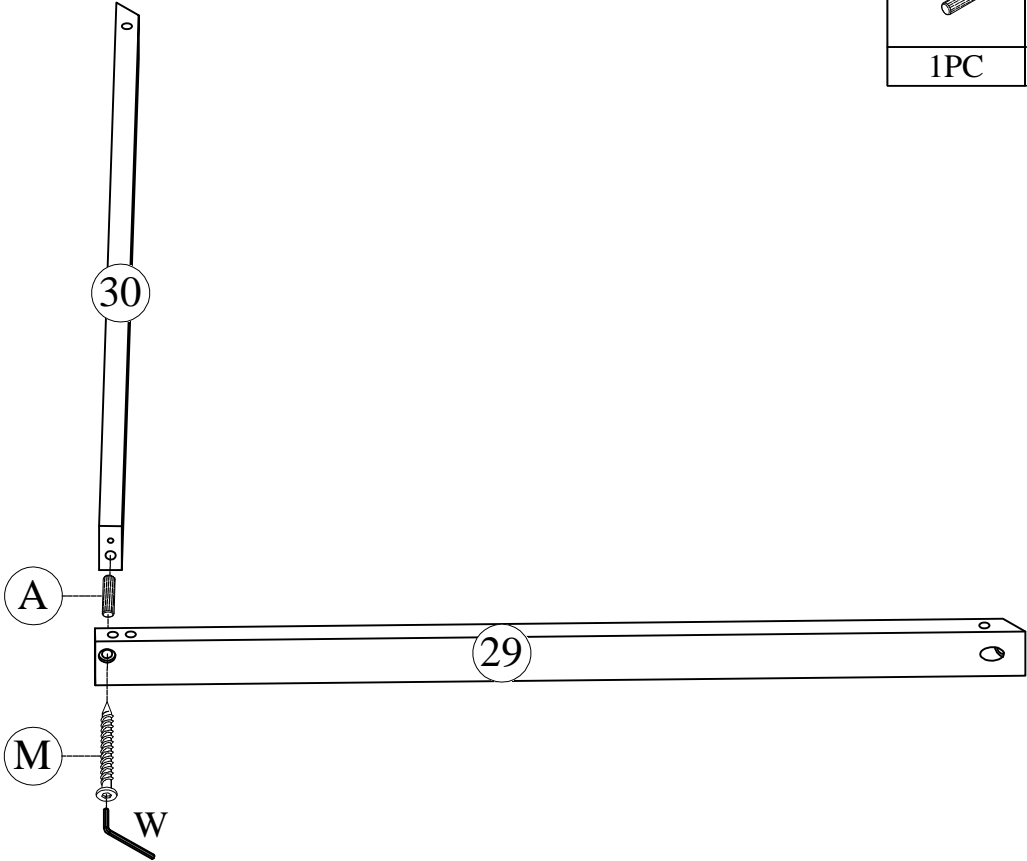
R	B	I
		
3PCS	4PCS	4PCS

- Push the panel and decorative frame to the left and lock the two screws.





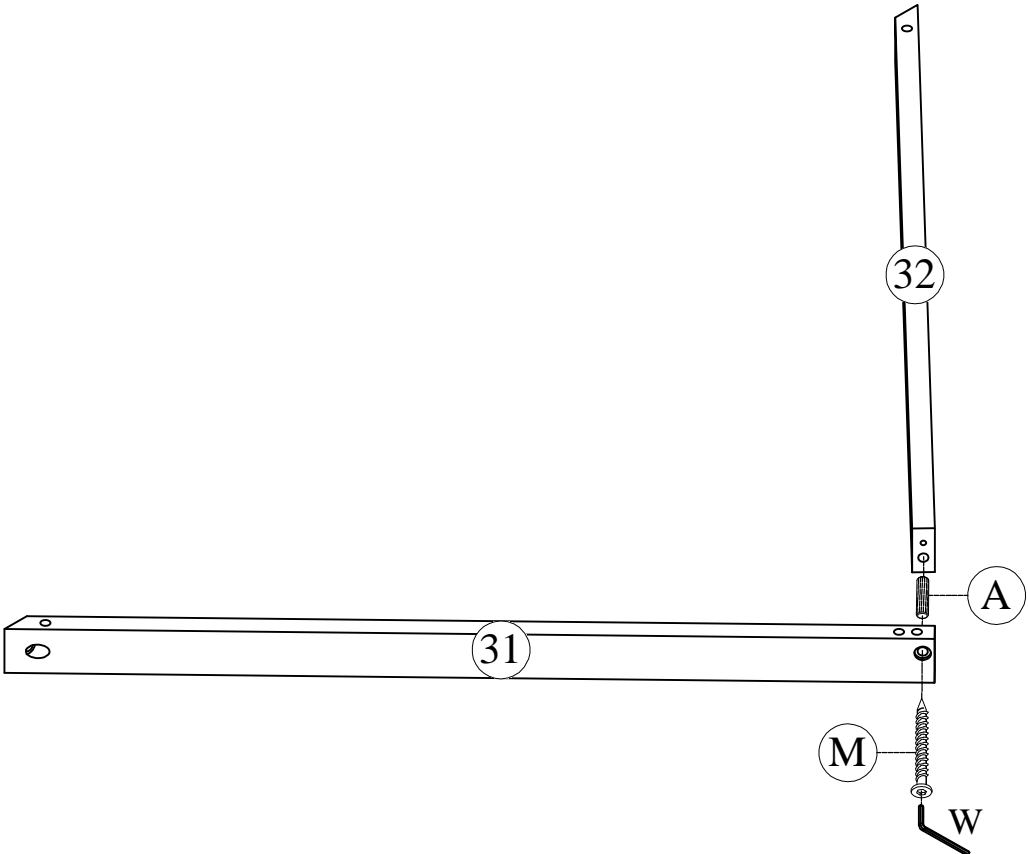
STEP-16:

A	M
	
1PC	1PC





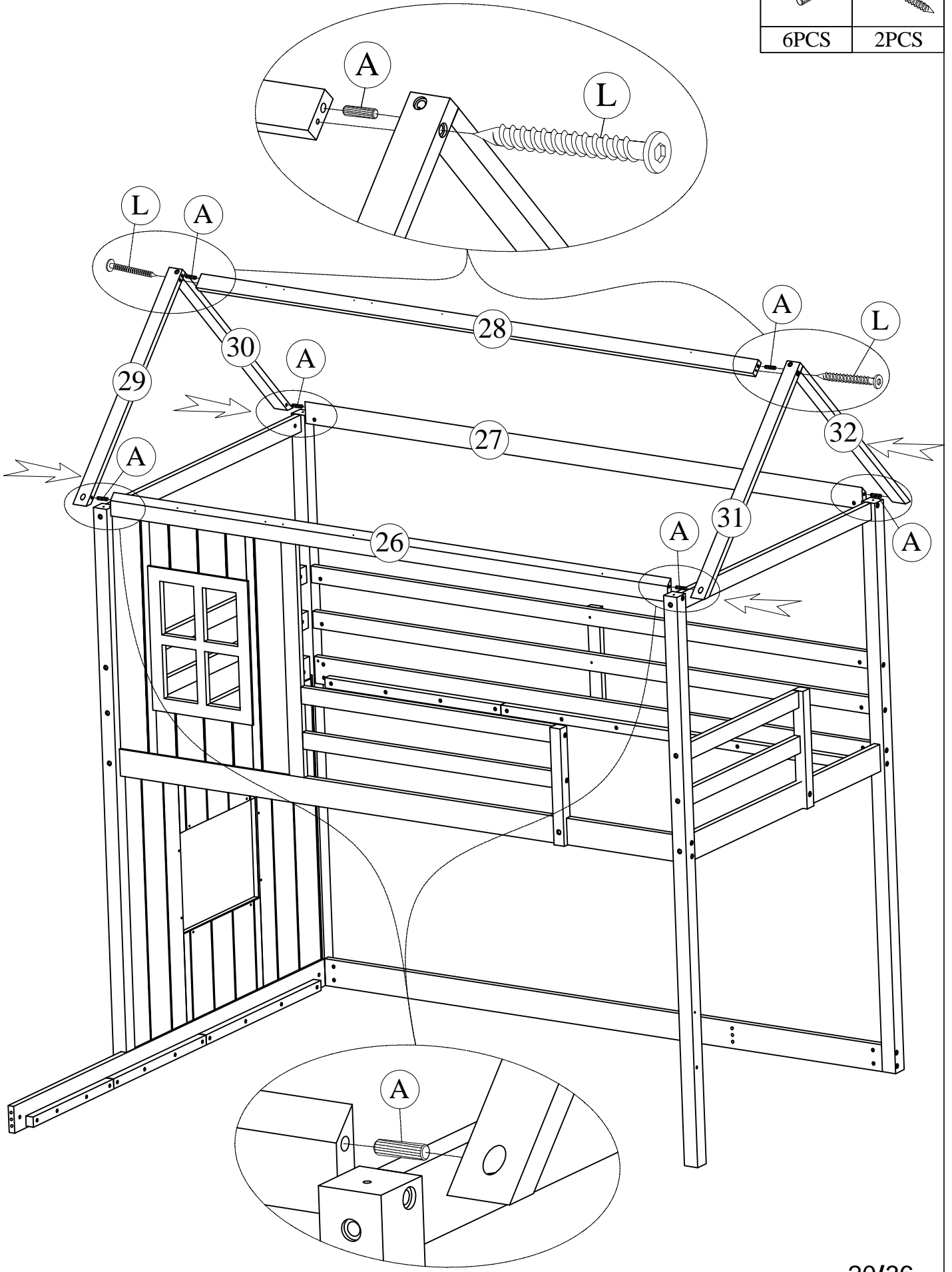
STEP-17:

A	M
	
1PC	1PC



STEP-18:

A	L
	
6PCS	2PCS

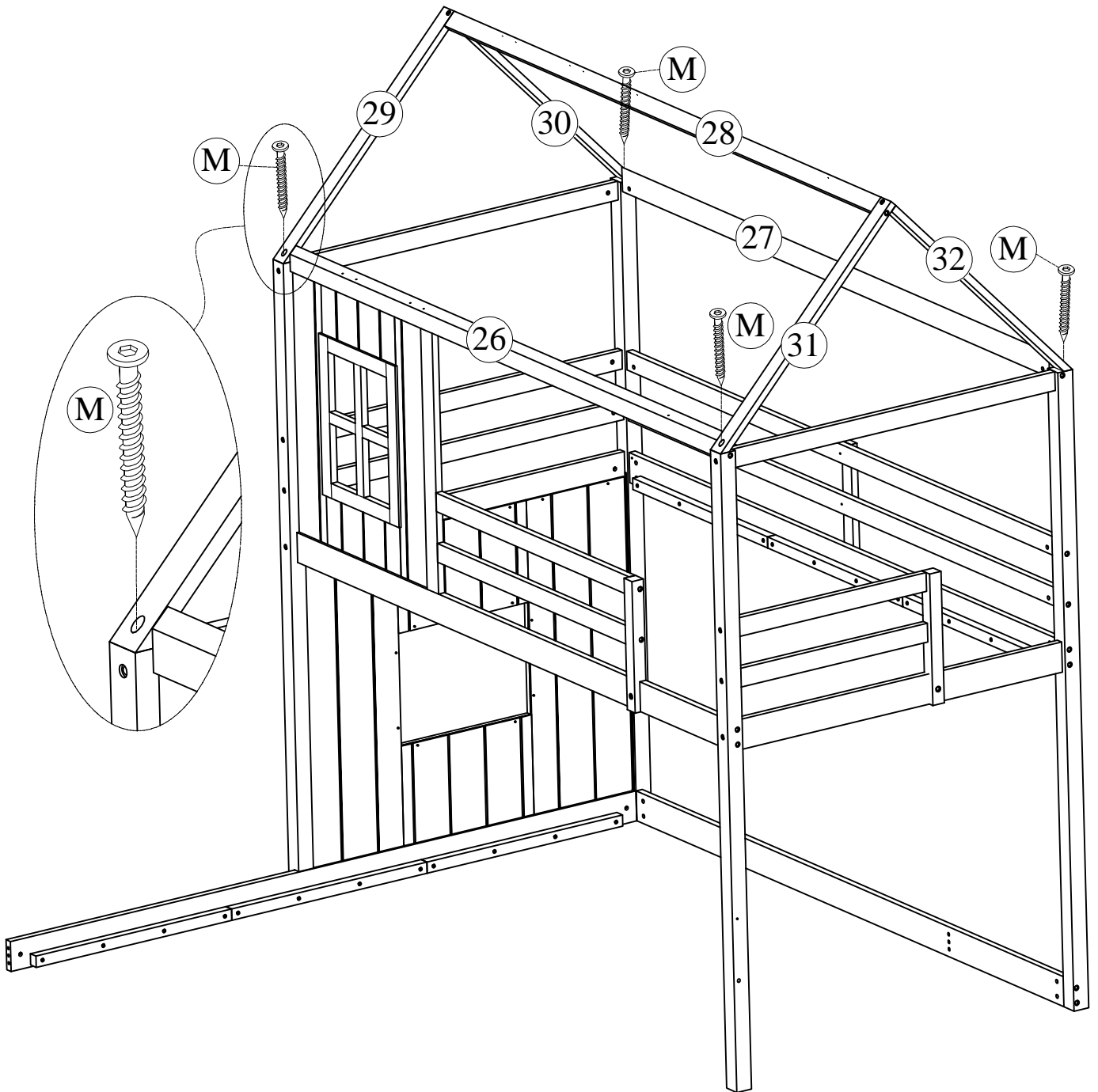


STEP-19

M

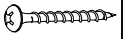


4PCS

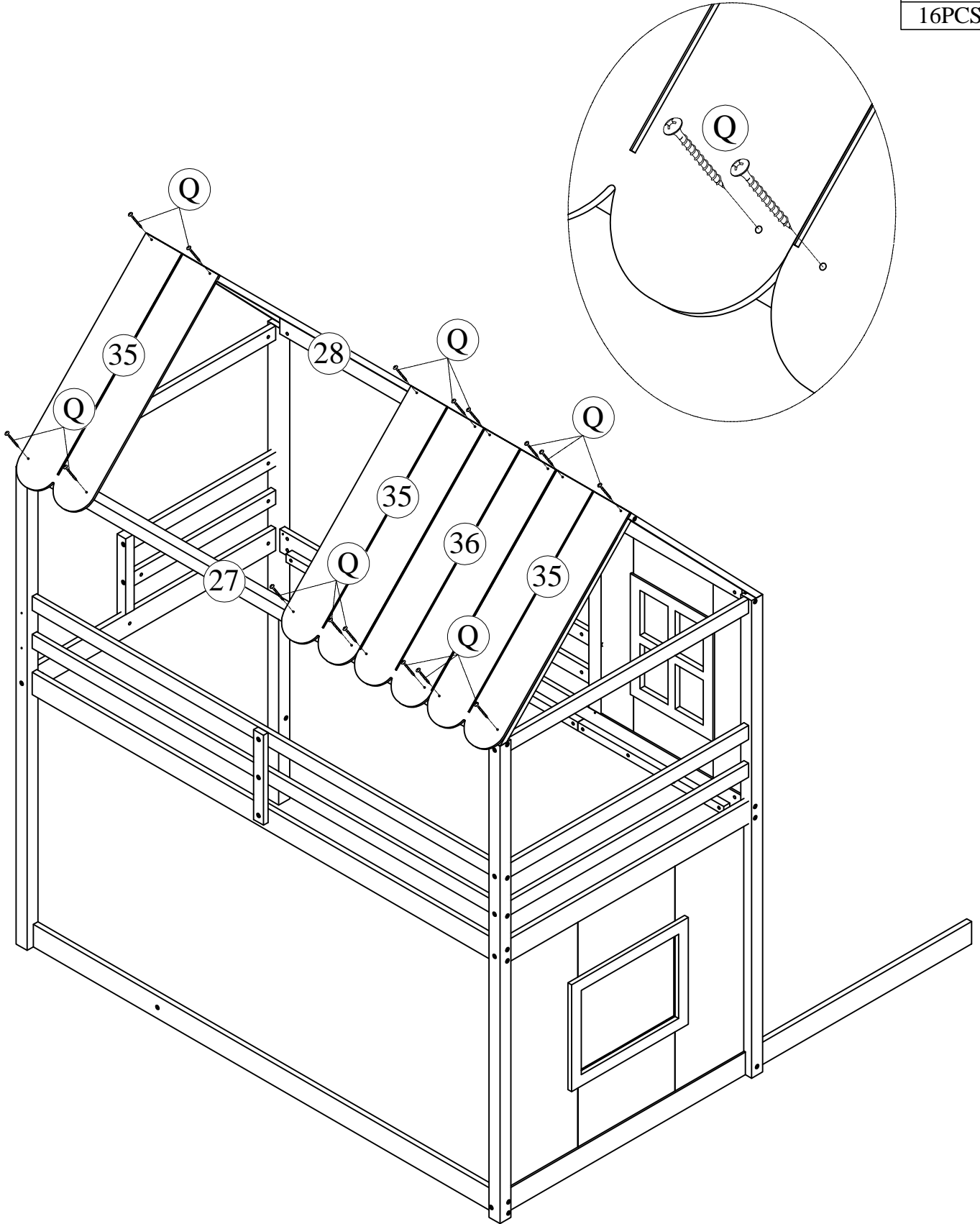


STEP-20

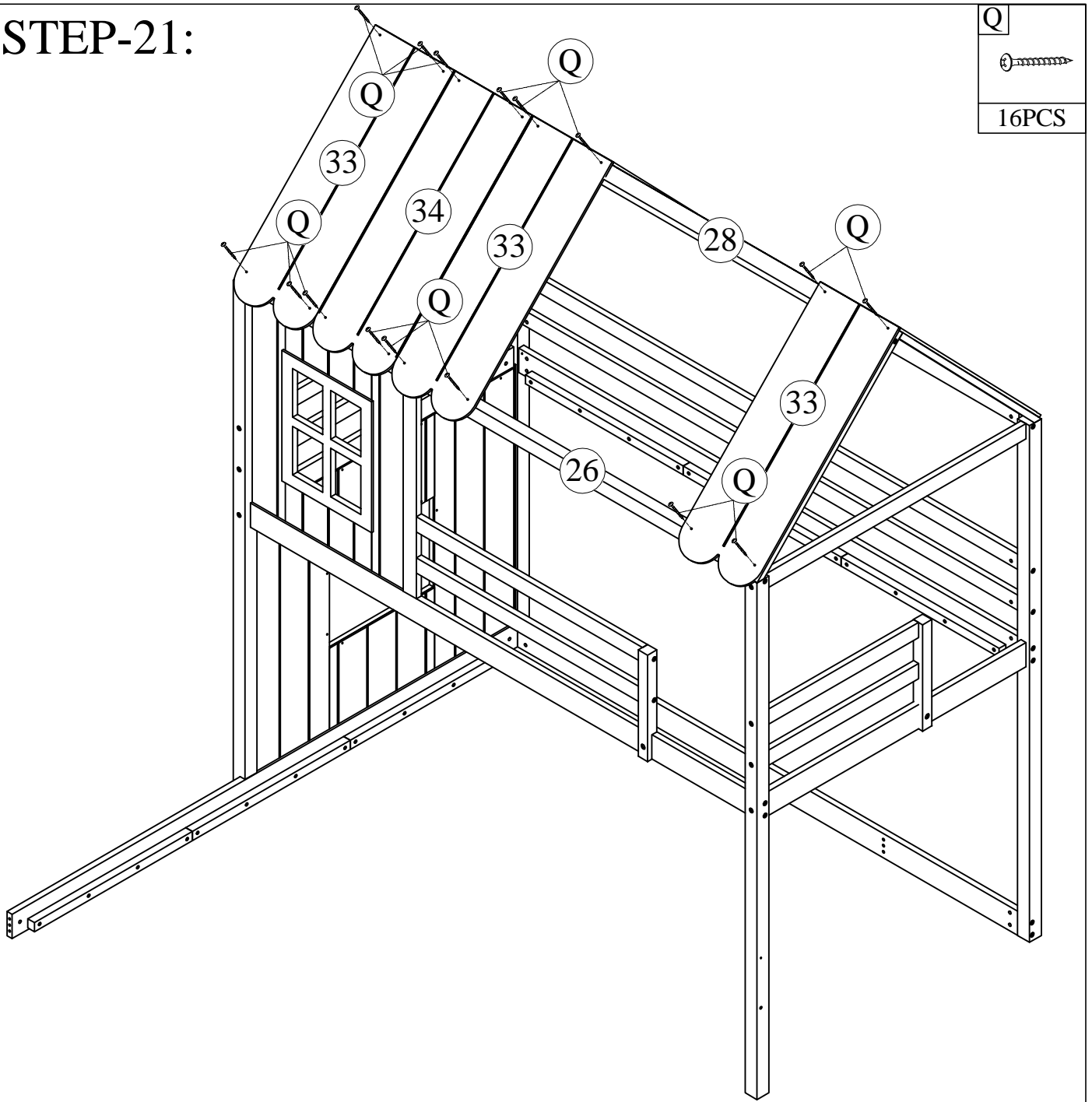
Q



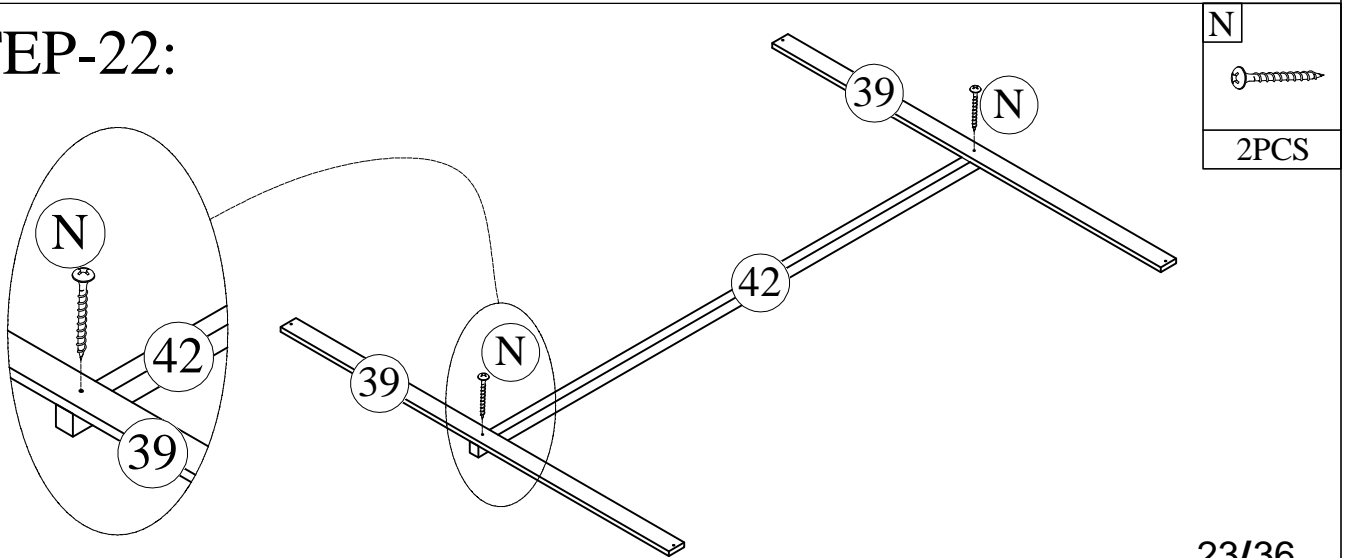
16PCS






STEP-21:

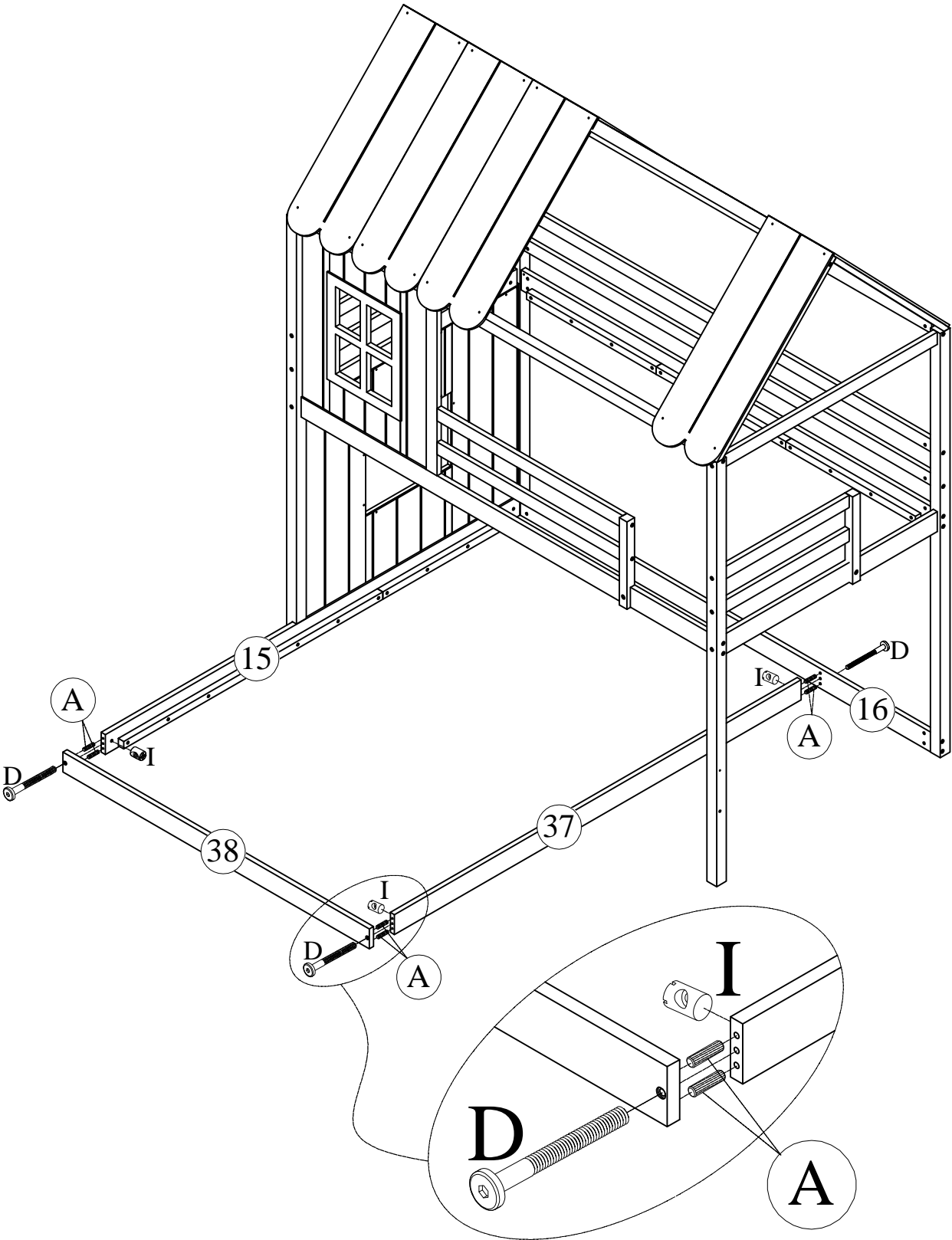


STEP-22:



STEP-23:

A	D	I
		
6PCS	3PCS	3PCS

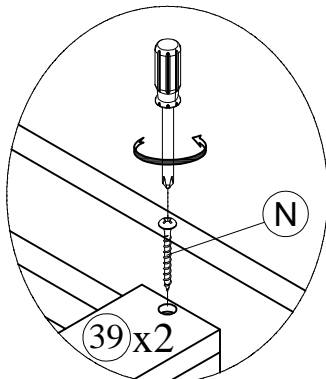
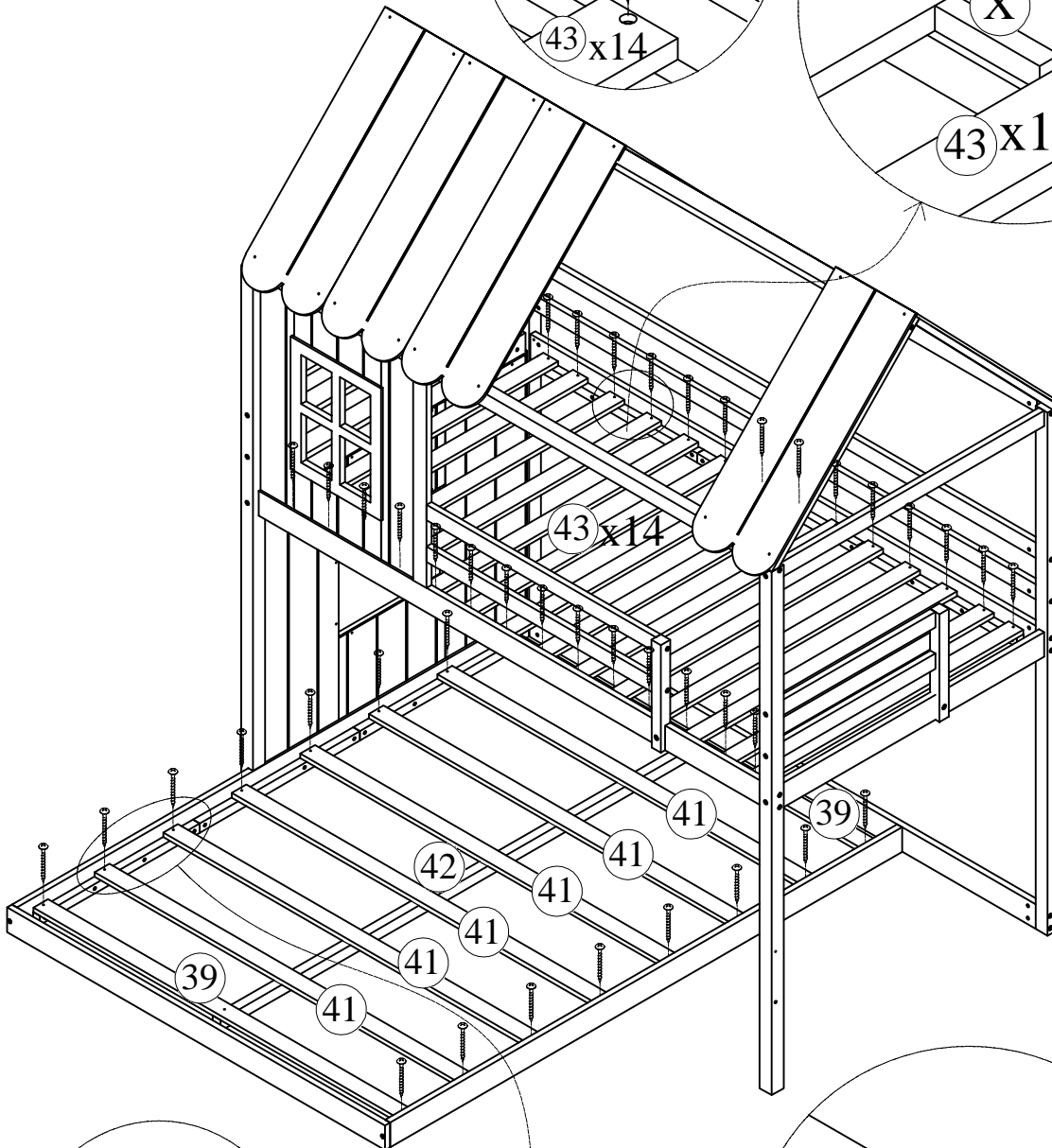
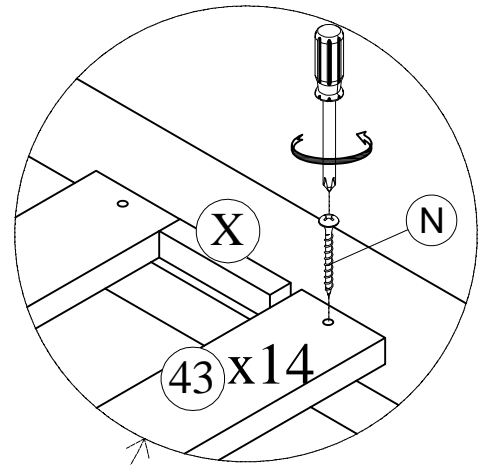
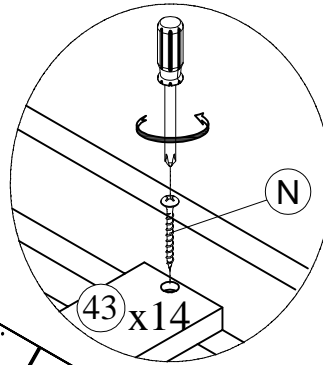
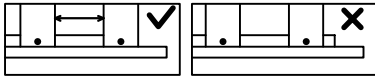


STEP-24:

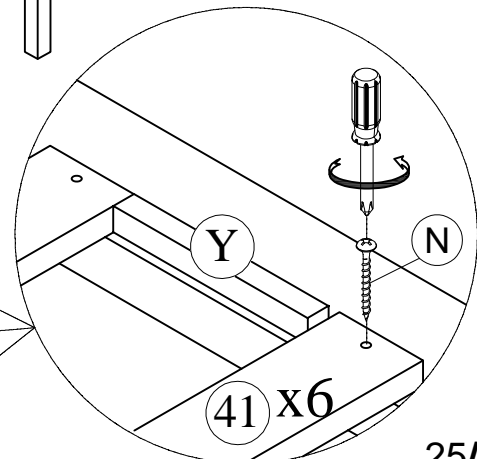
Note: Do not lock the screws of the bed slats to be outmost edge the bed slats, you need to leave a certain space at the edges, otherwise it will cause the board to break

Y	X	N
2PCS	2PCS	44PCS



3-1/8"

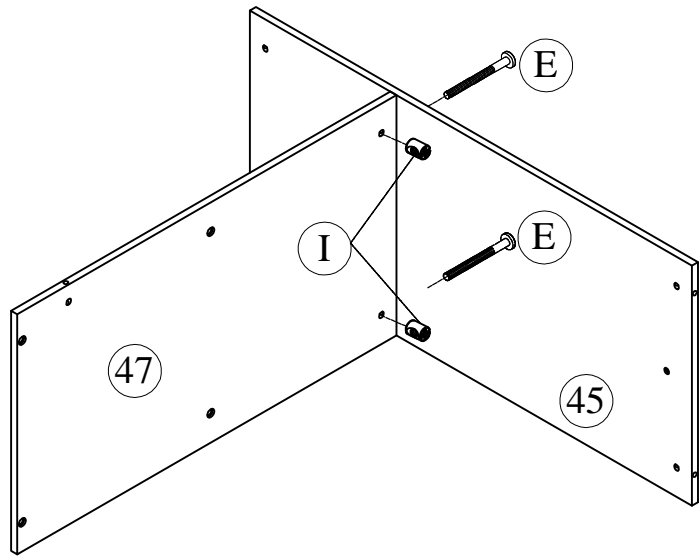


7-2/3"

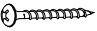


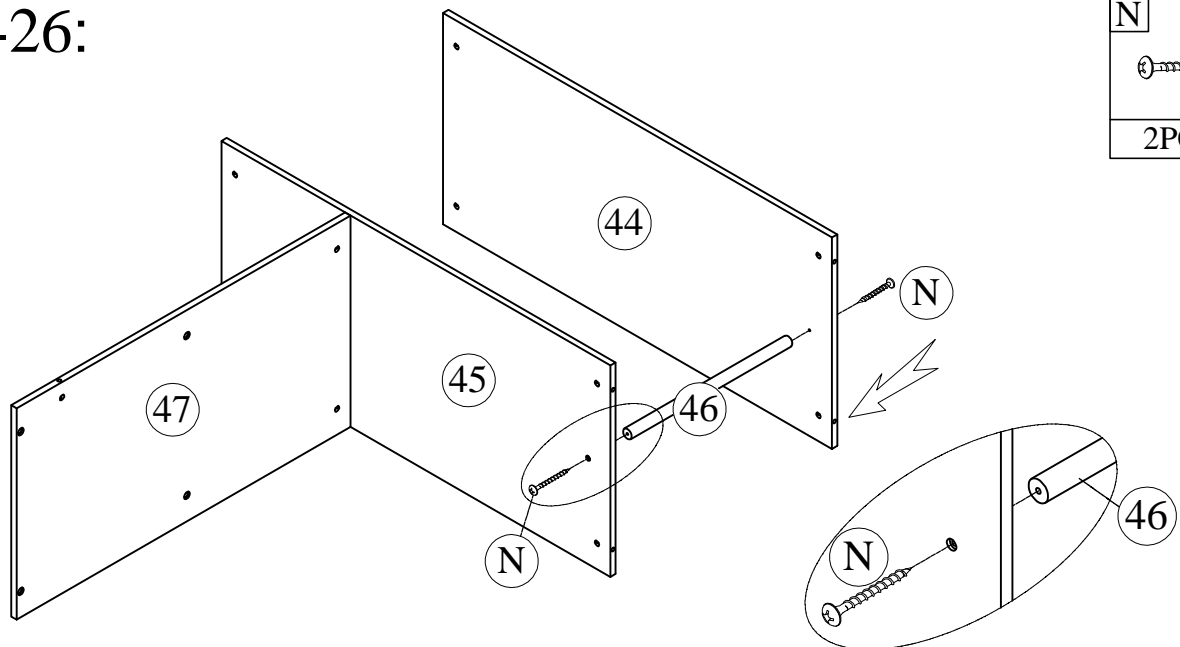
STEP-25:

E 	I 
2PCS	2PCS





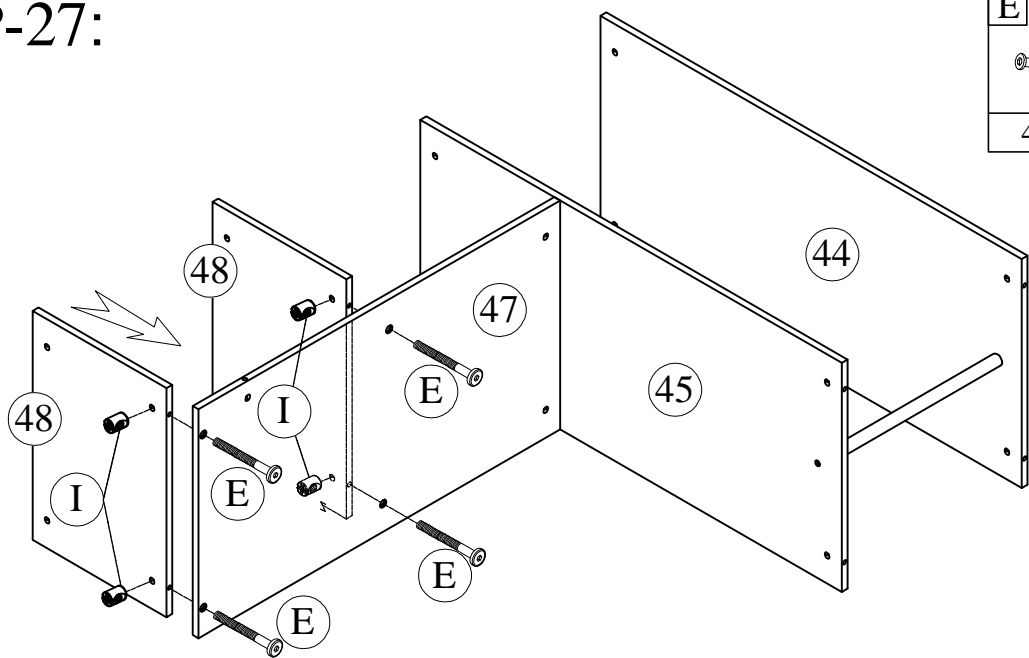
STEP-26:

N 
2PCS

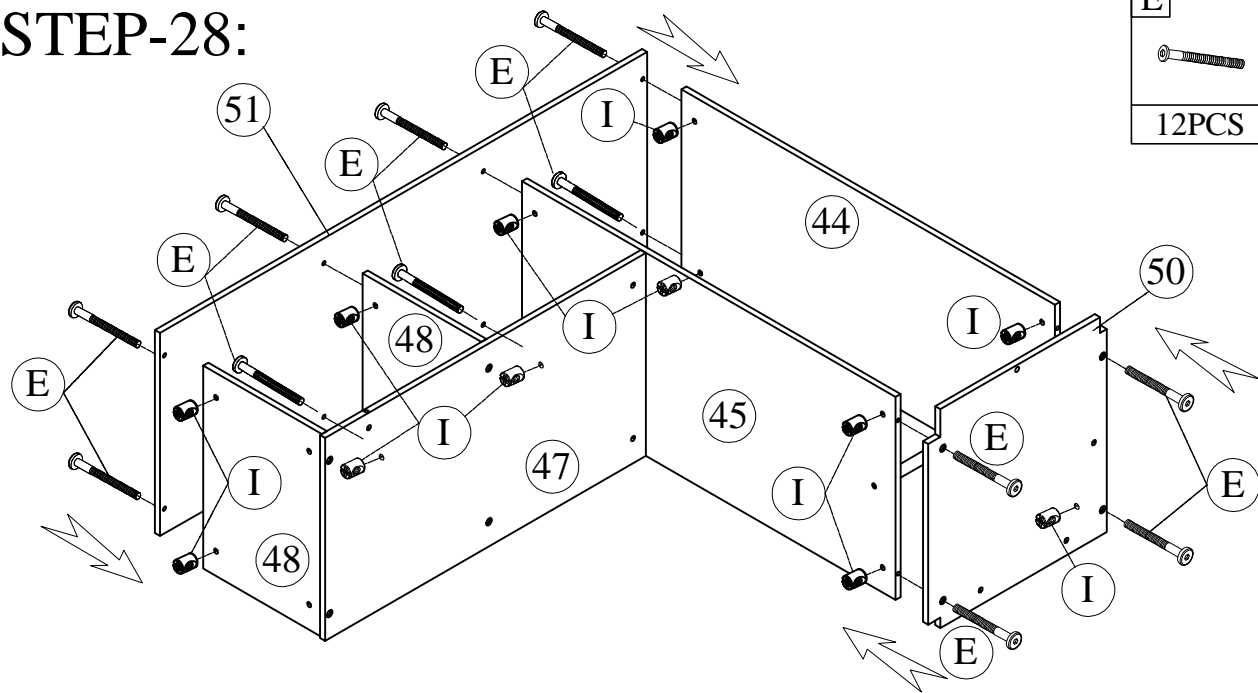




STEP-27:

E 	I 
4PCS	4PCS

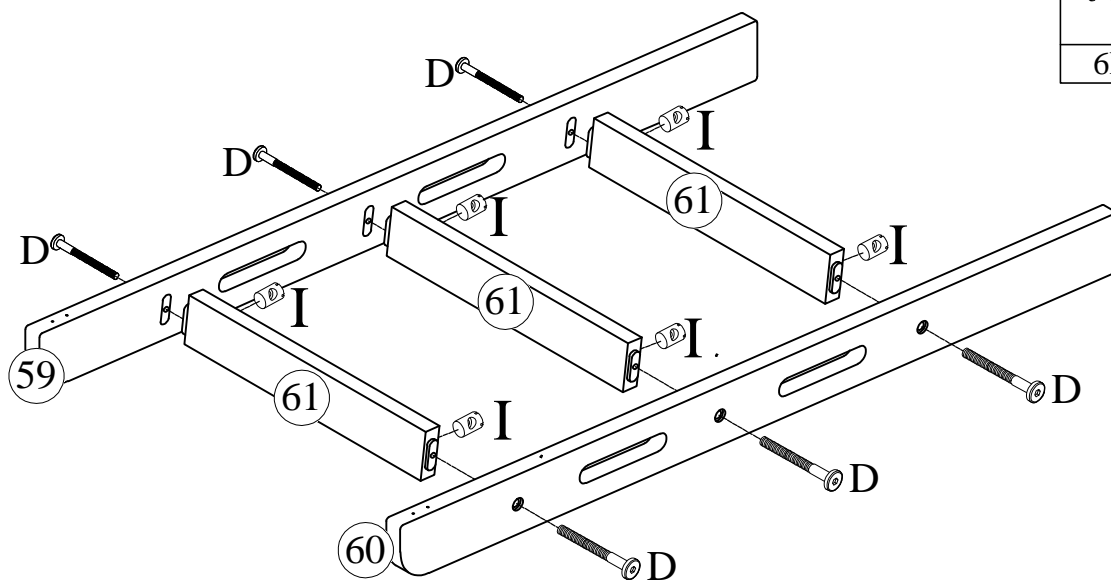




STEP-28:



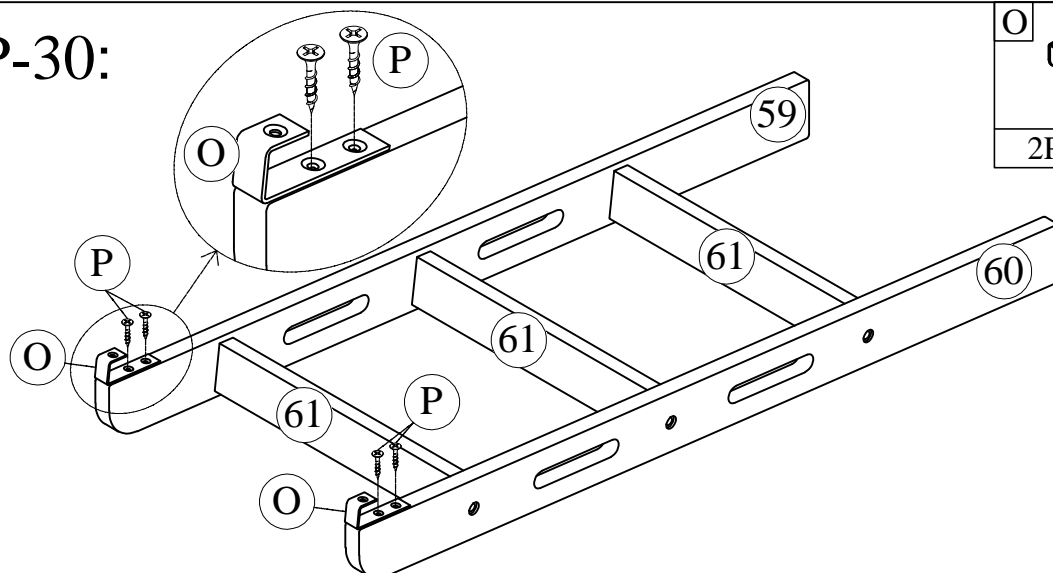
E	I
	
12PCS	12PCS

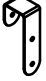

STEP-29:





D	I
	
6PCS	6PCS

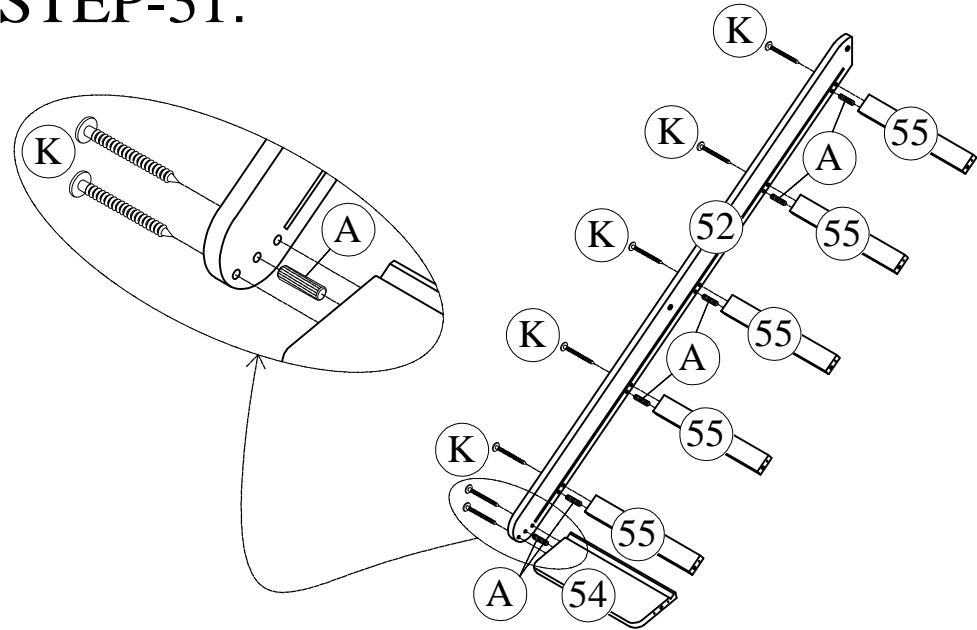
STEP-30:



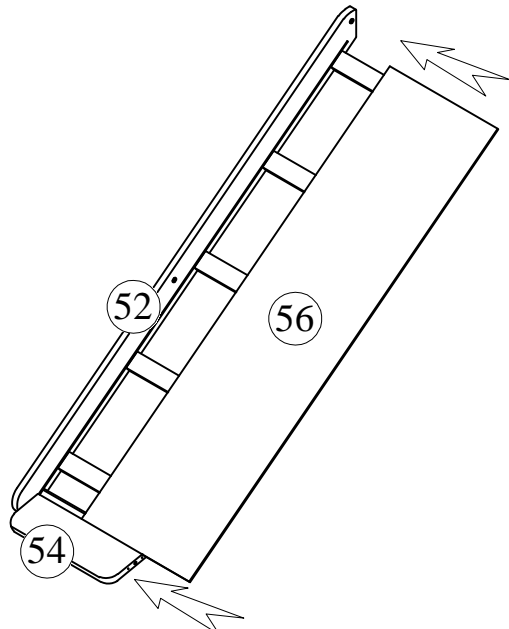
O	P
	
2PCS	4PCS

STEP-31:



A	K
	
6PCS	7PCS

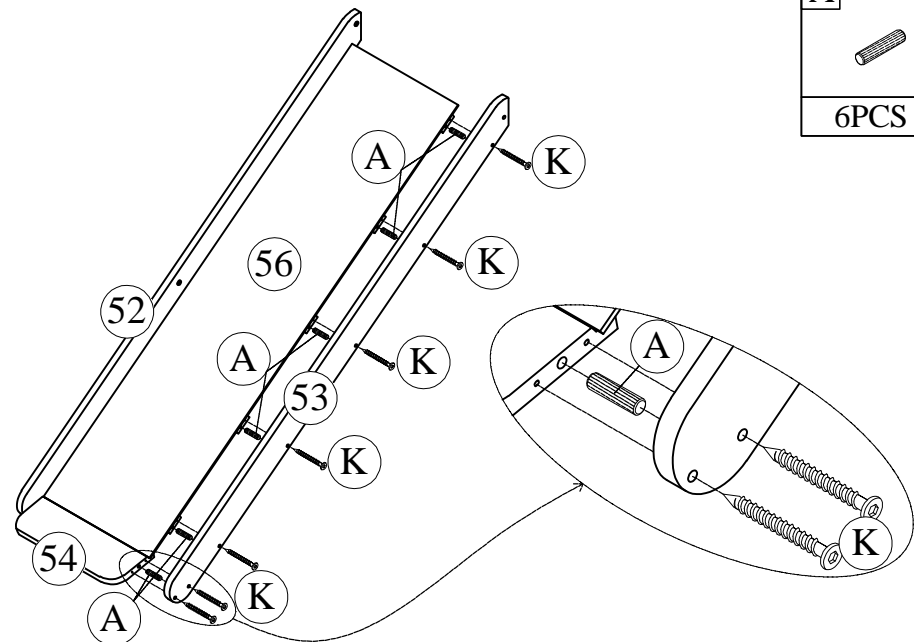


STEP-32:





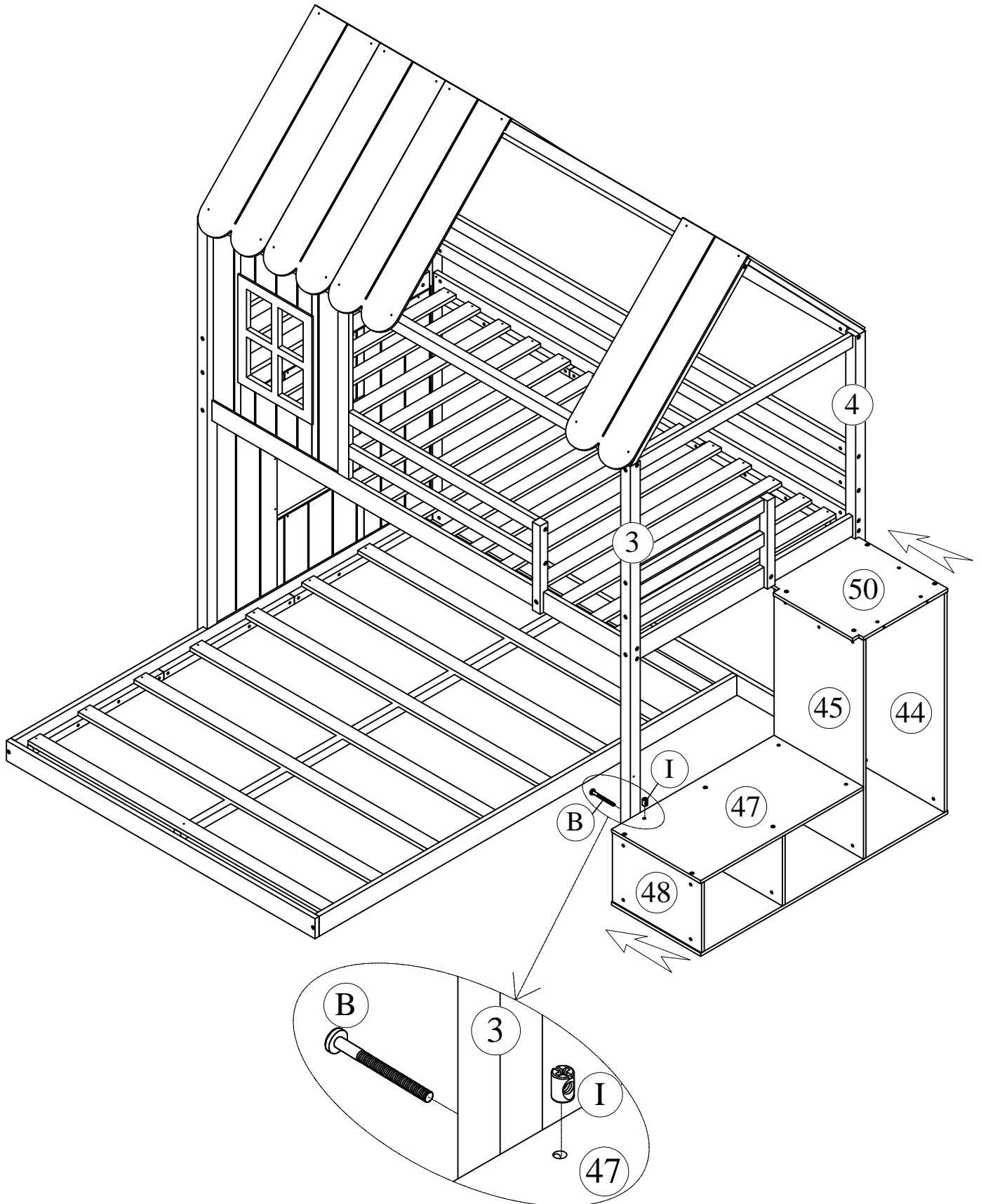
STEP-33:

A	K
	
6PCS	7PCS





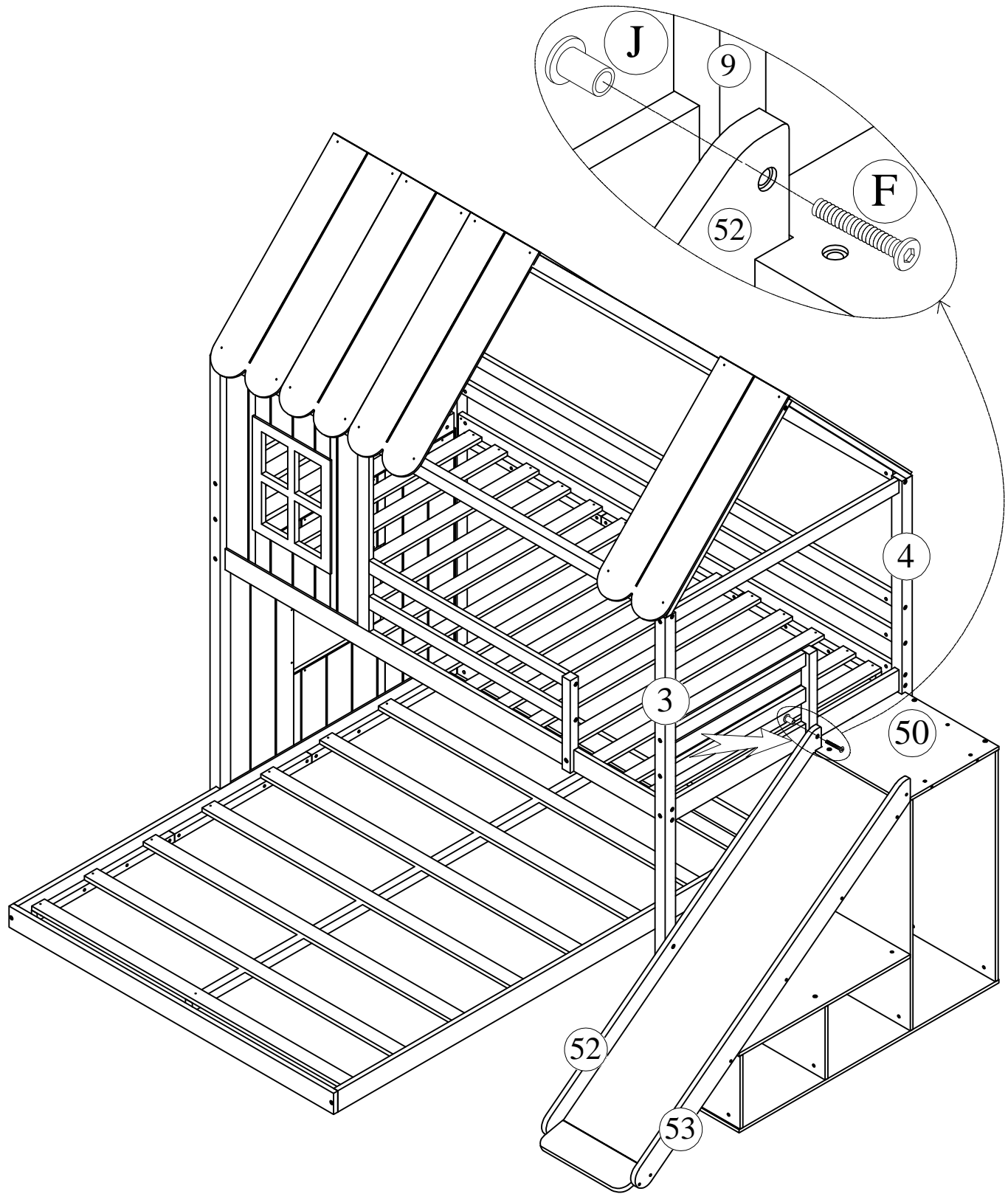
STEP-34:

B 	I 
1PC	1PC







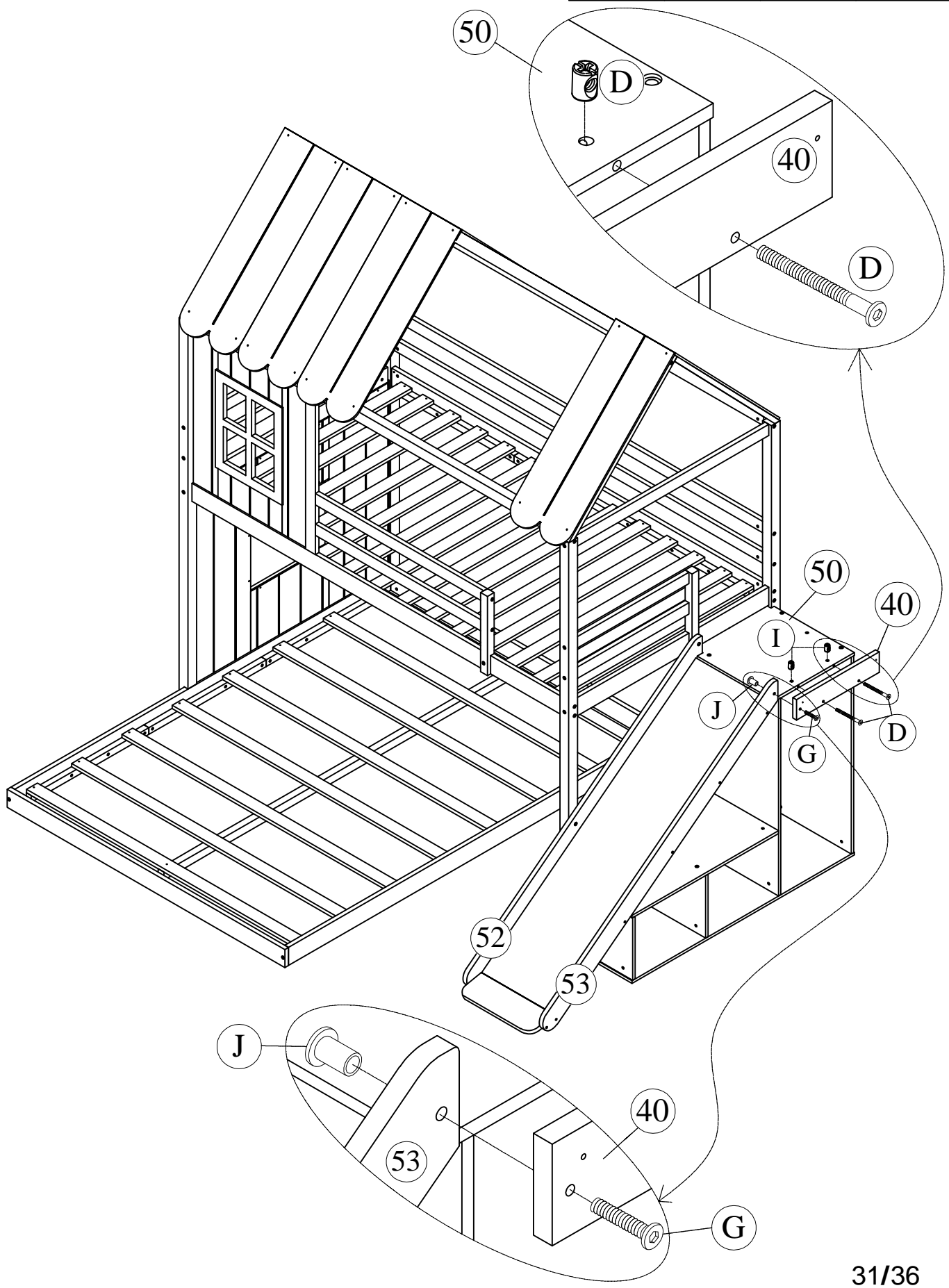
STEP-35:

F 	J 
1PC	1PC






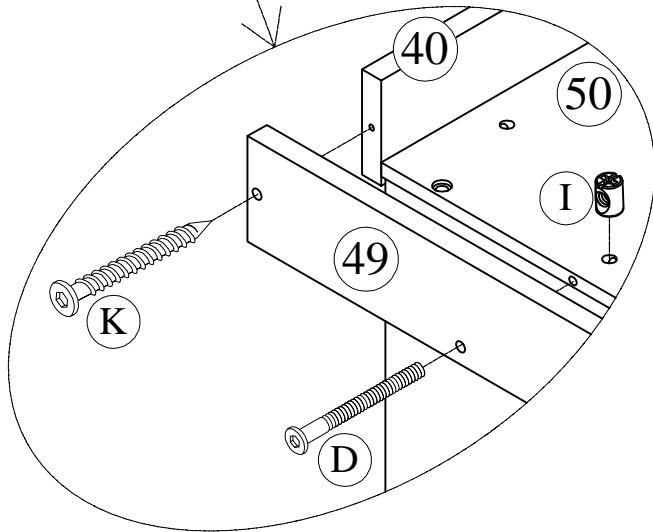
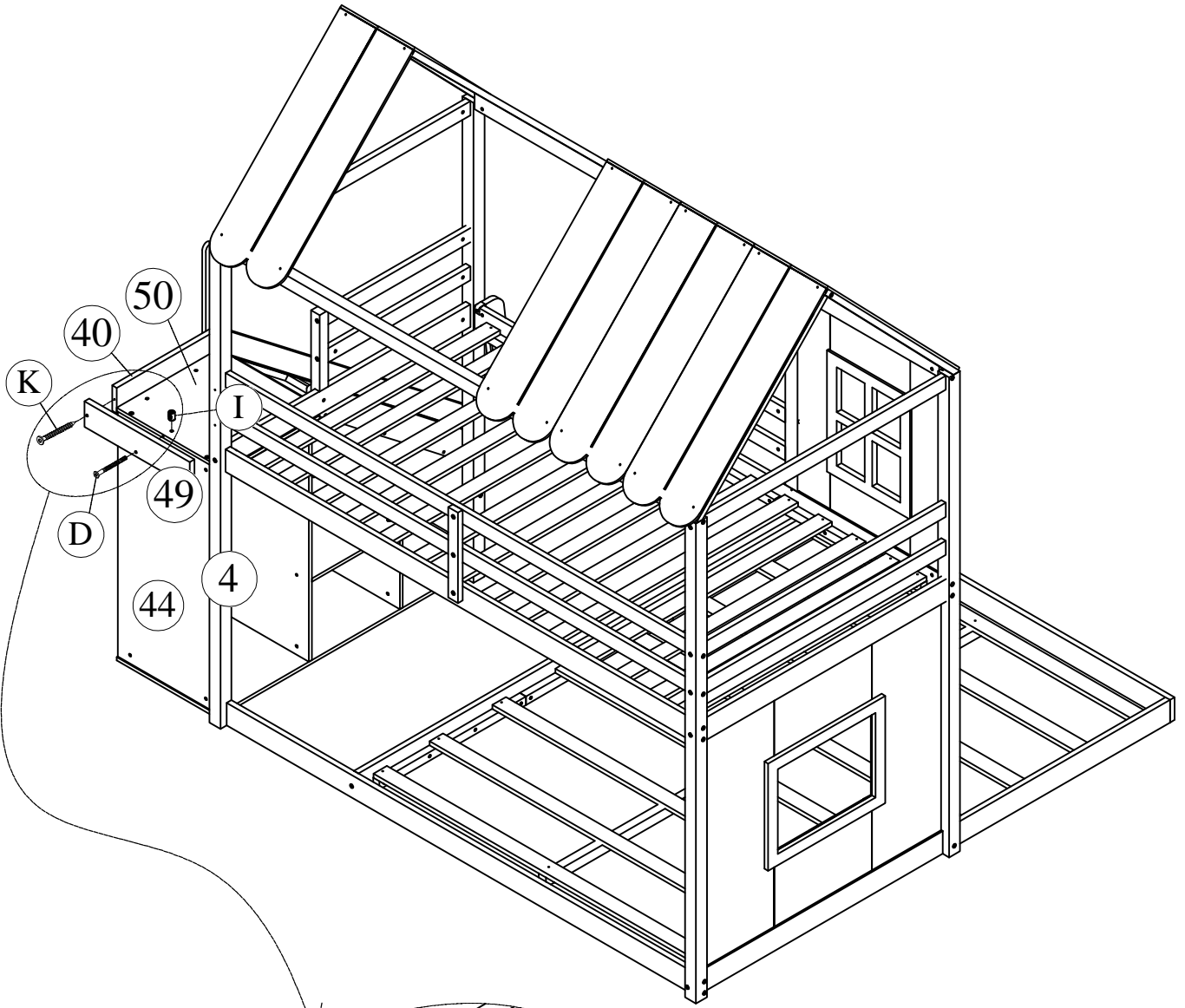
STEP-36:

G	J	D	I
			
1PC	1PC	2PCS	2PCS

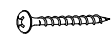





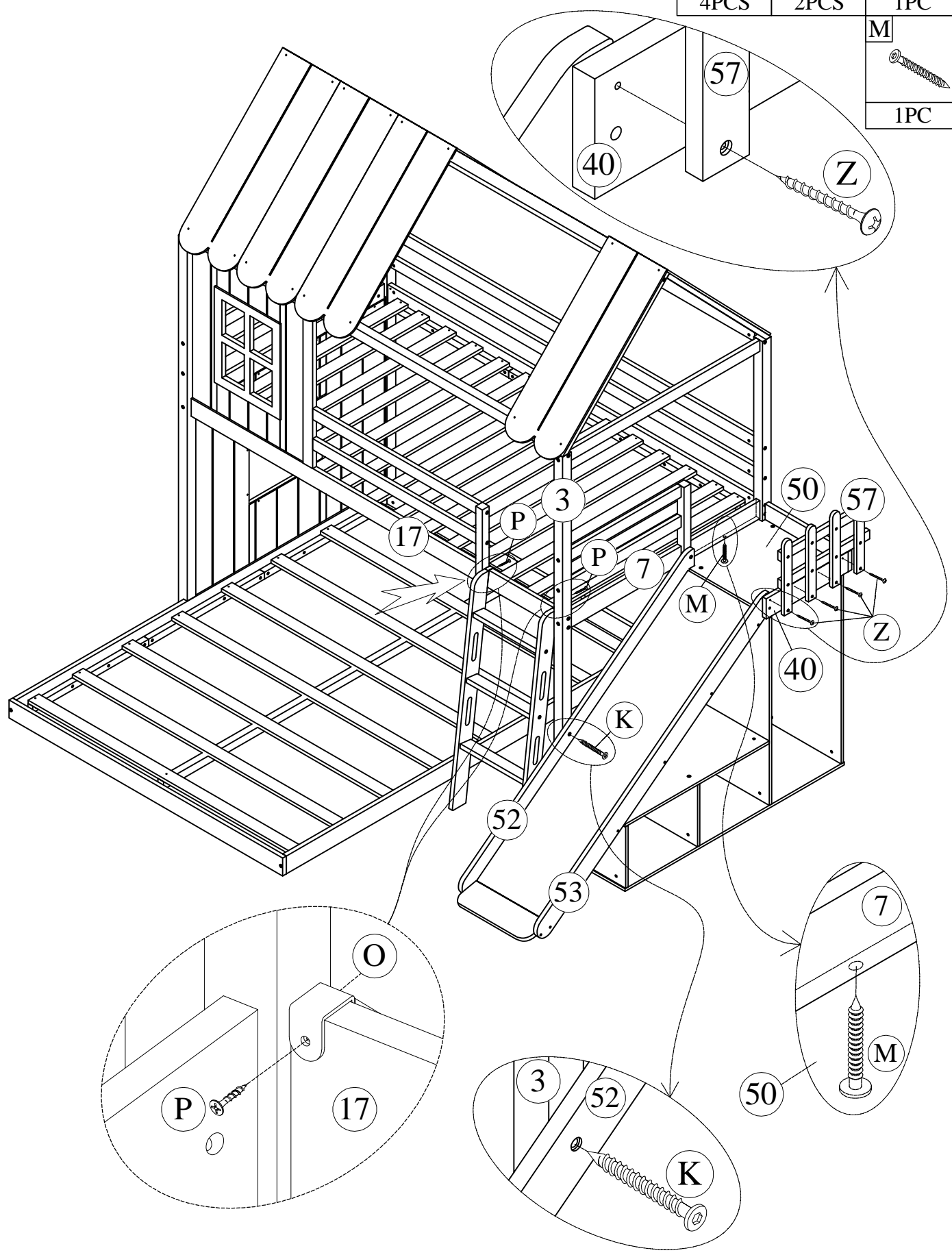
STEP-37:

K	D	I
		
1PC	1PC	1PC

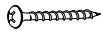



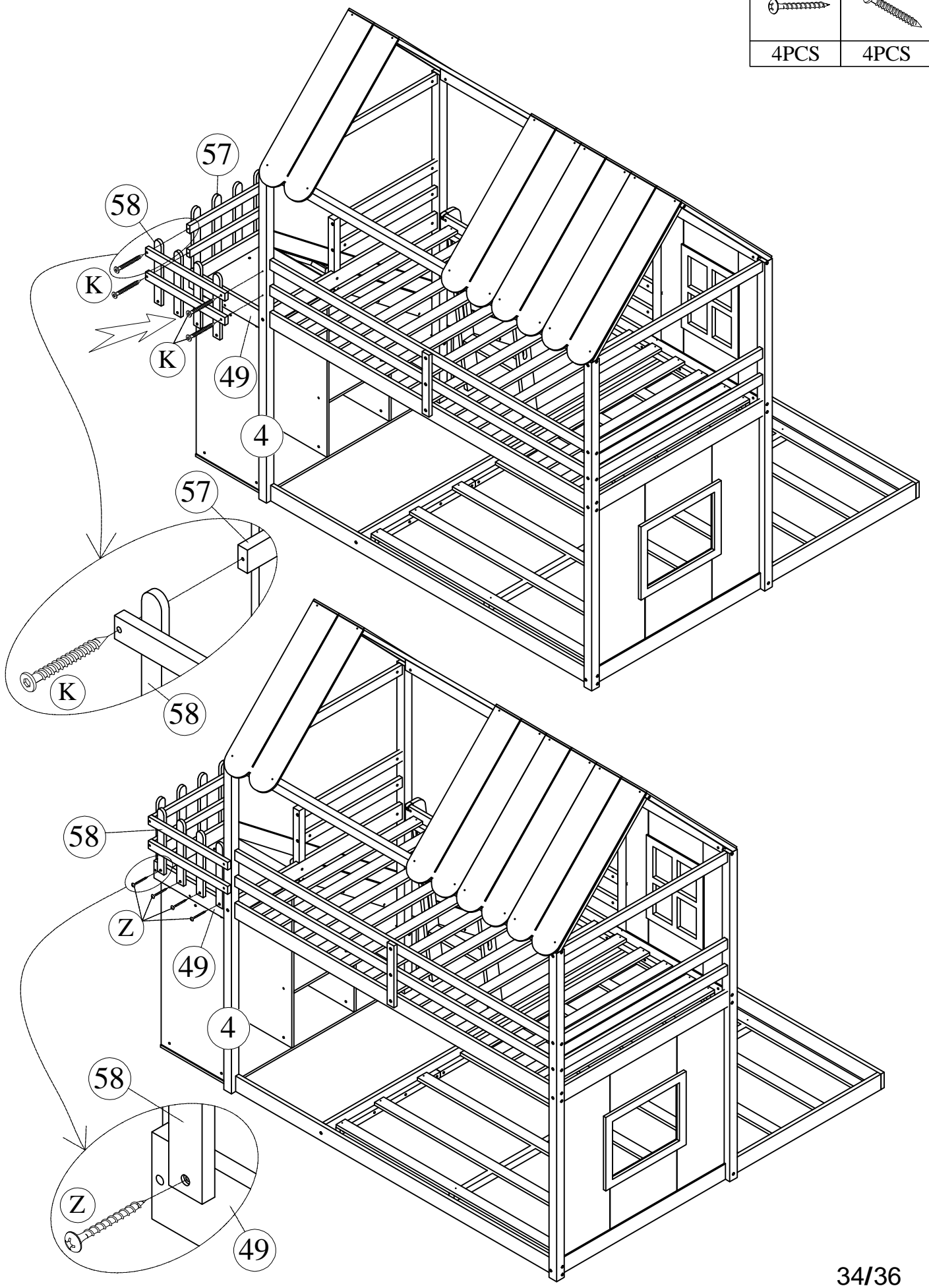
STEP-38:

Z	P	K
		
4PCS	2PCS	1PC
		M
		
		1PC


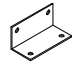


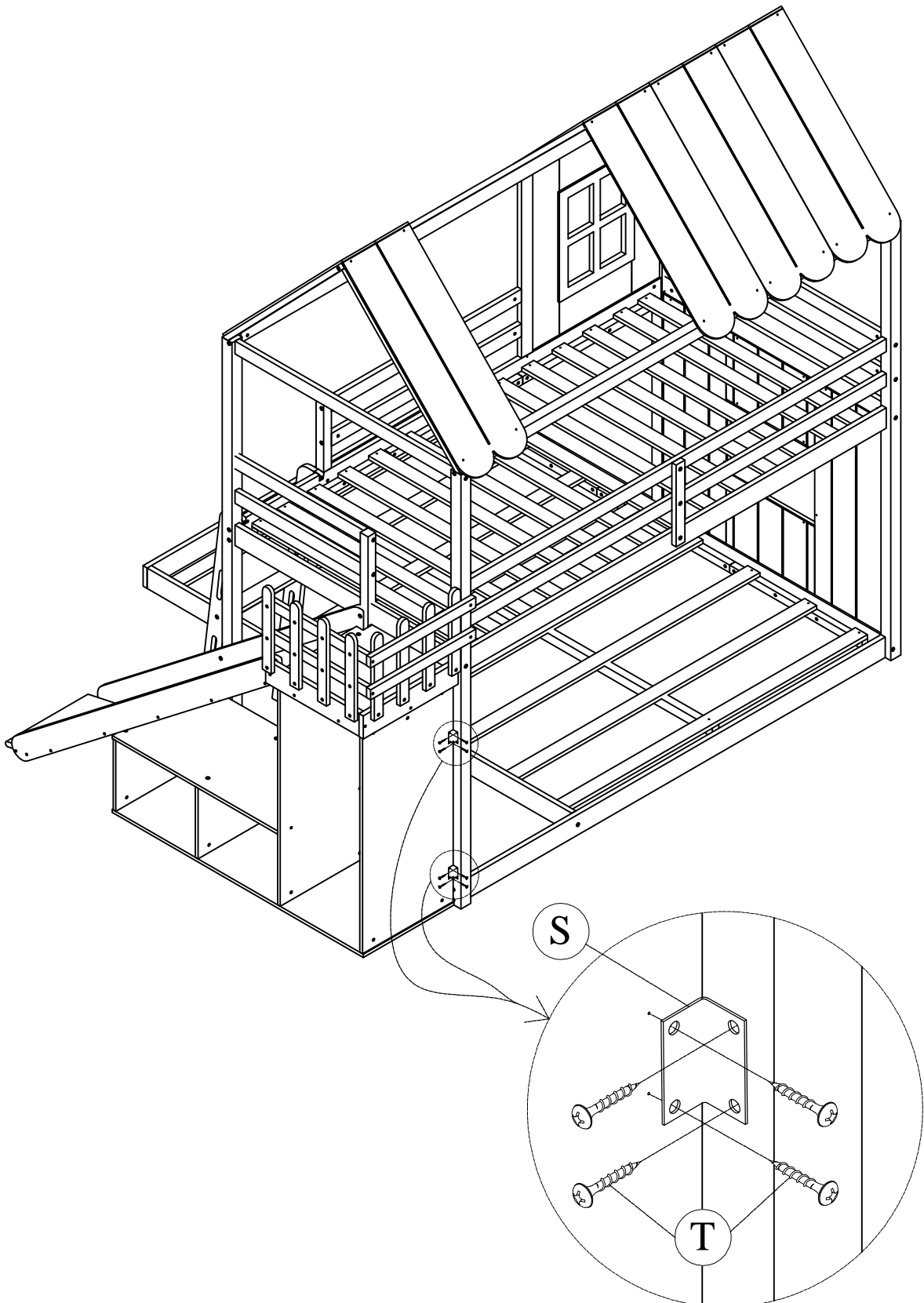
STEP-39:

Z	K
	
4PCS	4PCS



STEP-40:

T	S
	
8PCS	2PCS



COMPLETED

