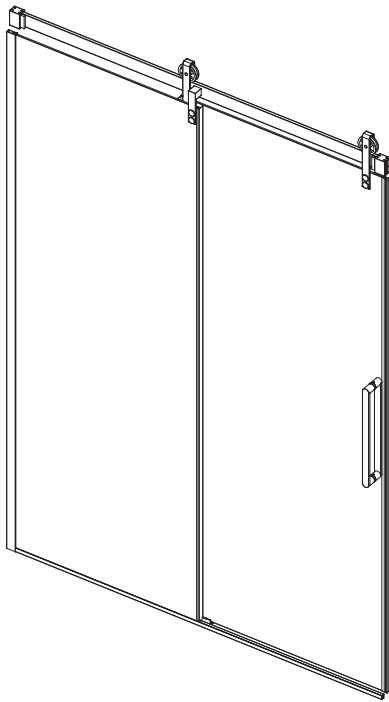
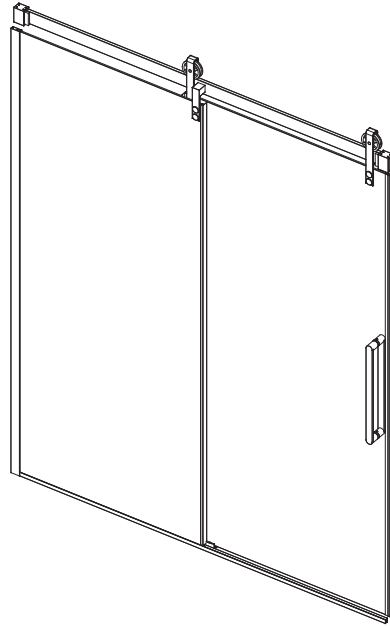


INSTALLATION INSTRUCTIONS

FOR SHOWER DOOR AND BATHTUB DOOR



IB-BW5975-MB



IB-BW5962-MB

CH -chrome

BN -Brushed Nickel

MB -Matte Black

**THANK YOU FOR PURCHASING OUR PRODUCTS.
FOR IMMEDIATE HELP WITH ASSEMBLY OR
PRODUCT INFORMATION EMAIL US:**



ServiceSoutien@outlook.com

Please offer your order ID and the product model number

Our staff is ready to provide assistance M-F 8:00 AM to 5:00 PM PST

SCAN HERE

TO VIEW OUR
INSTALLATION VIDEO



◆ General Information

Inspect the product immediately upon receipt for transit damage, missing packs/parts or manufacturing fault. Damage reported later will not be accepted. Handle the product with care avoiding knocks and shock loading to all sides and edges of the glass.

◆ Notes: Safety glass can not be re-worked

Read these instructions carefully before start of installation.

Special care should be taken when drilling walls to avoid hidden pipes or electrical cables.

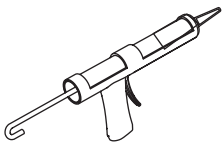
Note: This product is heavy and may require two people to install.

◆ Aftercare instructions

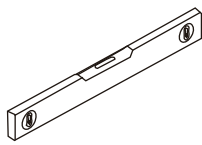
After use, your shower should be cleaned with soap and water. This is particularly important in hard water districts where insoluble lime salts maybe deposited and allowed to build up. Cleaners of a gritty or abrasive nature should not be used. Care should be taken to avoid contact with strong chemicals, they can be used but with caution, if in doubt contact the manufacturer of the cleaner in question.

Keep these instructions for aftercare and customer service details.

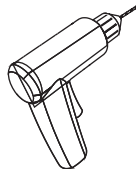
Tools Required



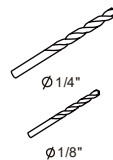
Silicone



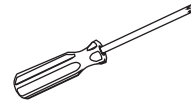
Level



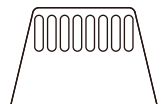
Drill



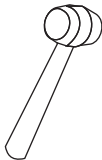
Drill Bit



Screwdriver
(Phillips)



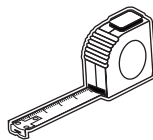
Sealant
Finishing Tool



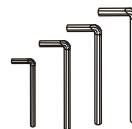
Mallet



Pencil



Tape Measure



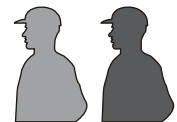
Allen Wrenches



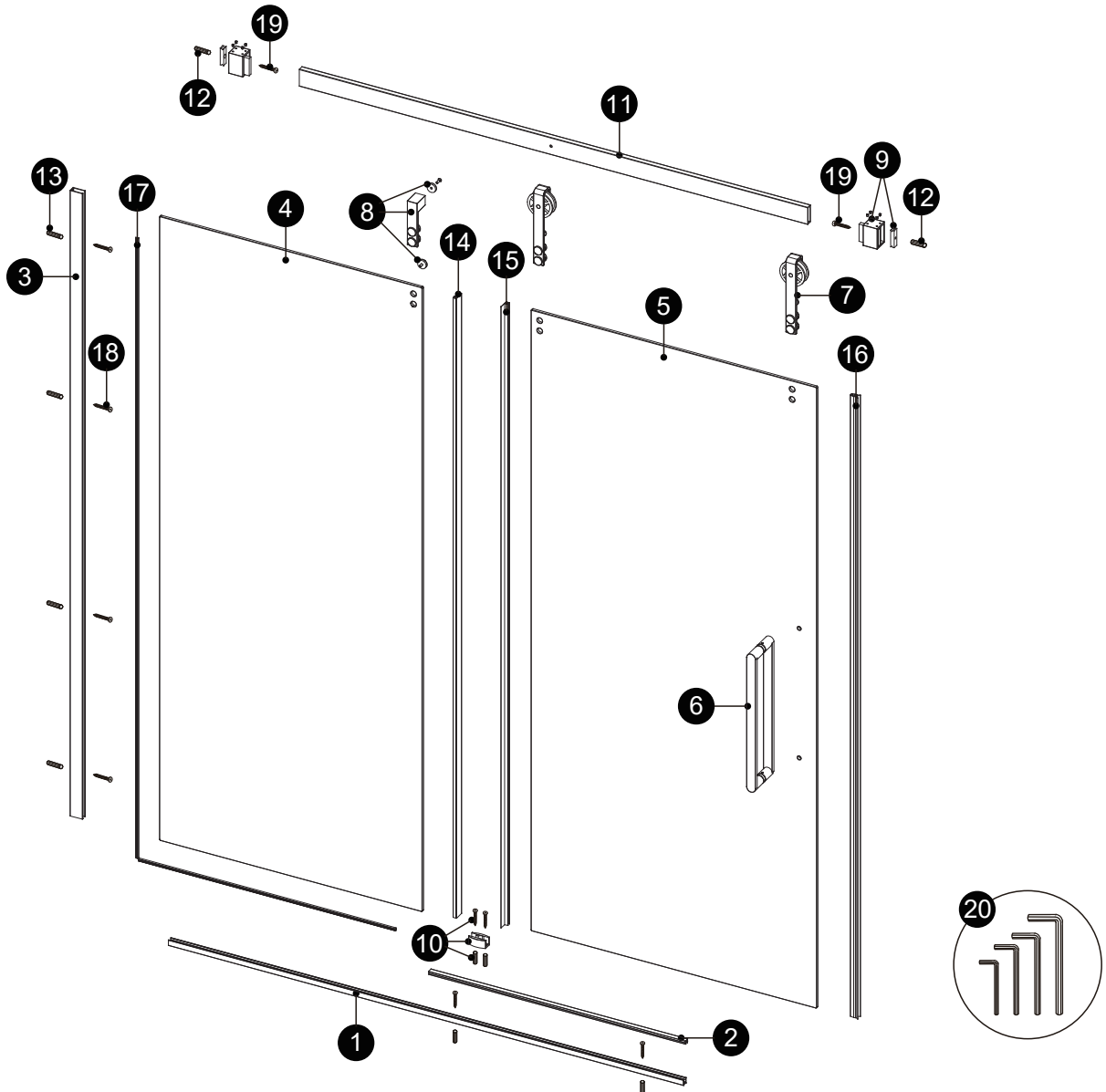
Painters
Tape

Tips: Measure the finished opening before proceeding with the installation to be sure that the correct model size has been ordered.

Note: These instructions will show the installation of the shower door. Please follow the same steps for the installation of the tub door.



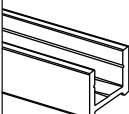
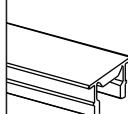
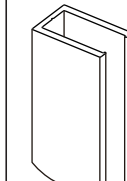
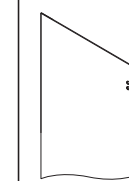
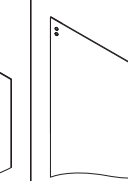
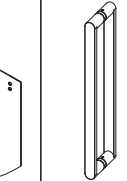
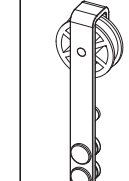
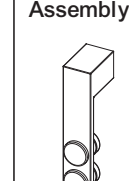
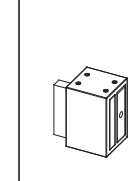


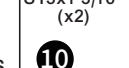
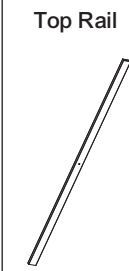
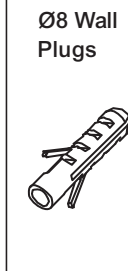
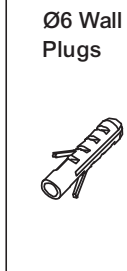
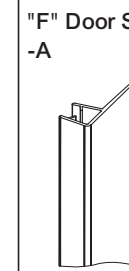
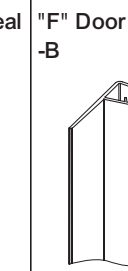
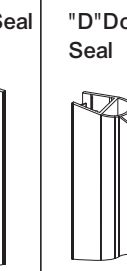
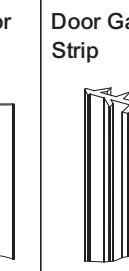
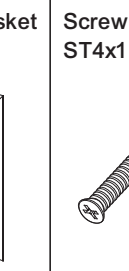
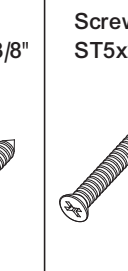
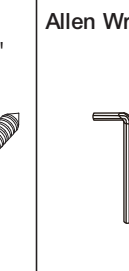
PARTS LIST



PACKING LIST



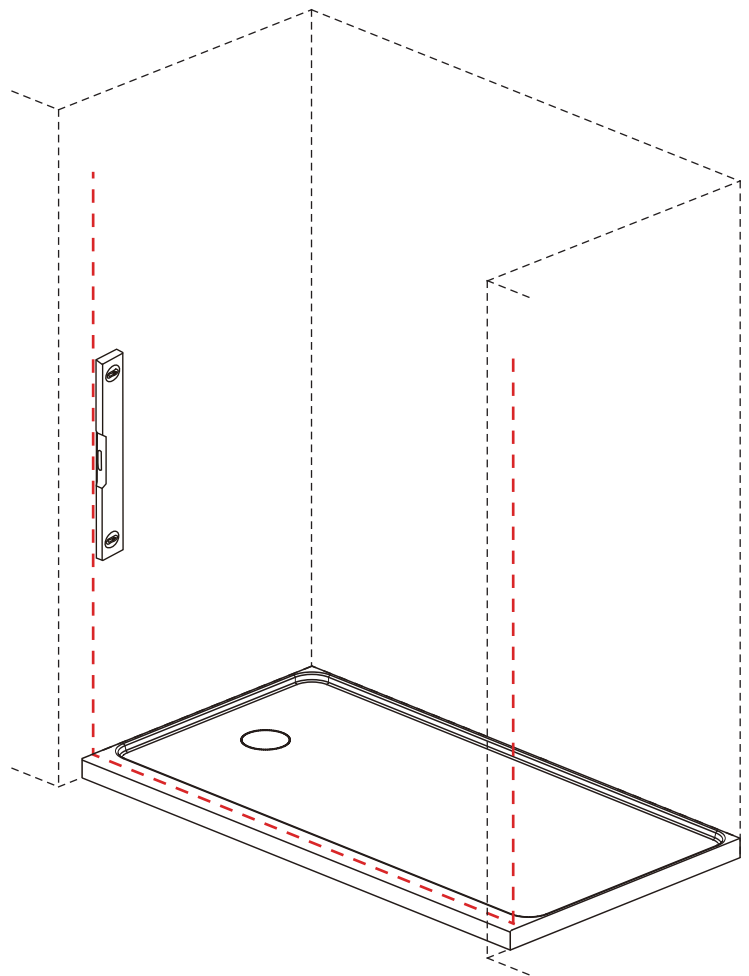
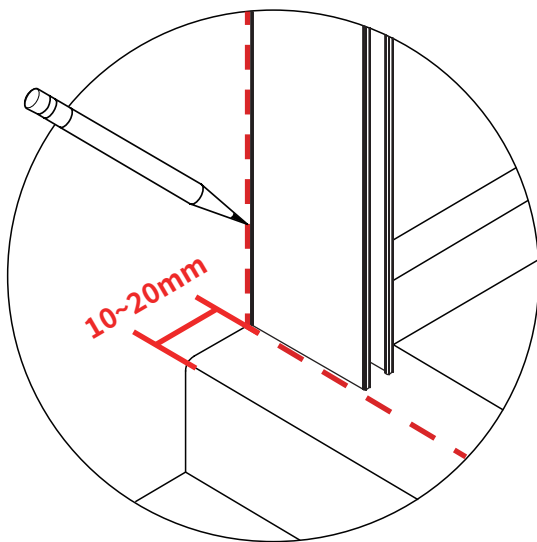
Keep small parts away from children

 1 1PC	 2 1PC	 3 1PC	 4 1PC	 5 1PC	 6 1PC	 7 2PCS	 8 1PC	 9 2PCS	   10
 11 1PC	 12 2PCS	 13 6PCS	 14 1PC	 15 1PC	 16 1PC	 17 1PC	 18 6PCS	 19 2PCS	 20 4PCS

INSTALLATION STEPS

STEP 1-Mark the Position

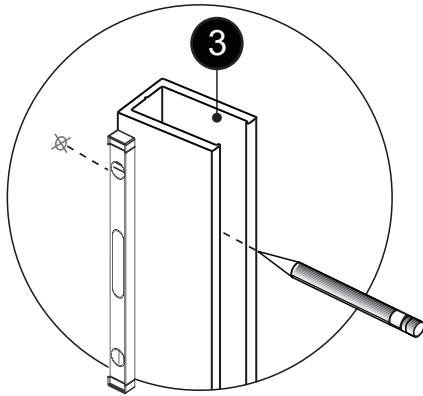
NOTE: Please make sure that the lines on both sides of the wall are horizontal perpendicular to the threshold, this is very important for the STEP4 to locate the position of the Top Rail.



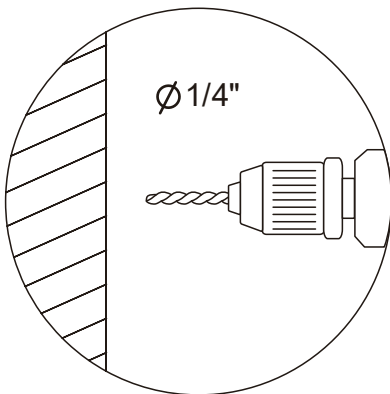
INSTALLATION STEPS

STEP 2-Install Wall Jamb

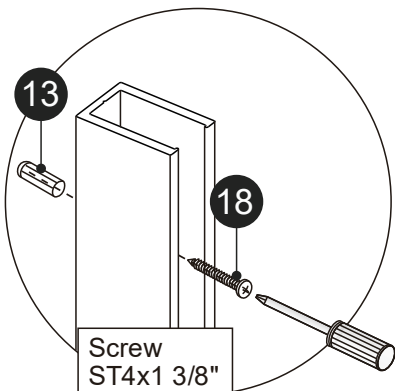
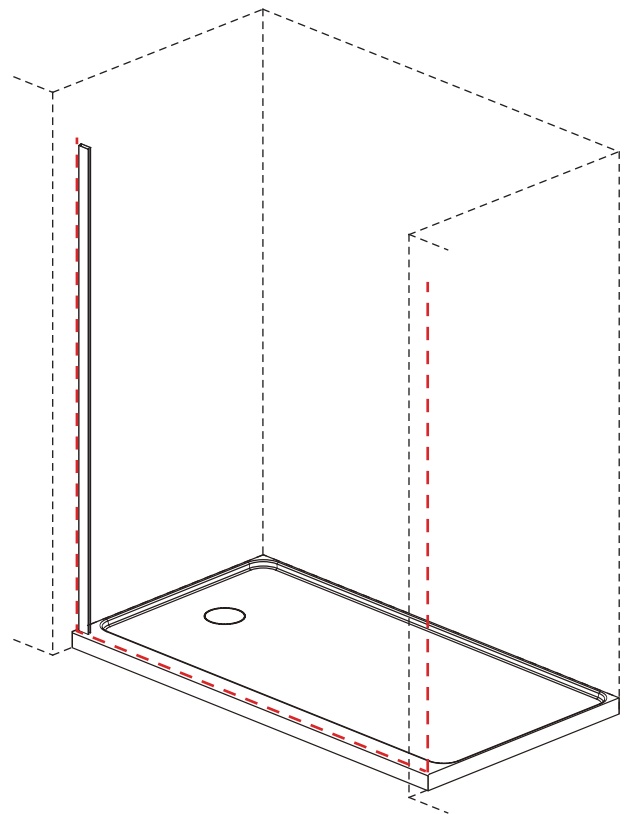
NOTE: The Passage Shower Door can be installed with the fixed door panel on the left or right hand side. The illustrations below show the door assembled with the handle on the right side of the shower. If the door is to be assembled so that the handle is on the left side, the instructions and procedures will need to be reversed in those areas.



1. Make sure **Wall Jamb (#3)** is plumb. Mark the locations to the pre-drilled hole of the wall jamb.



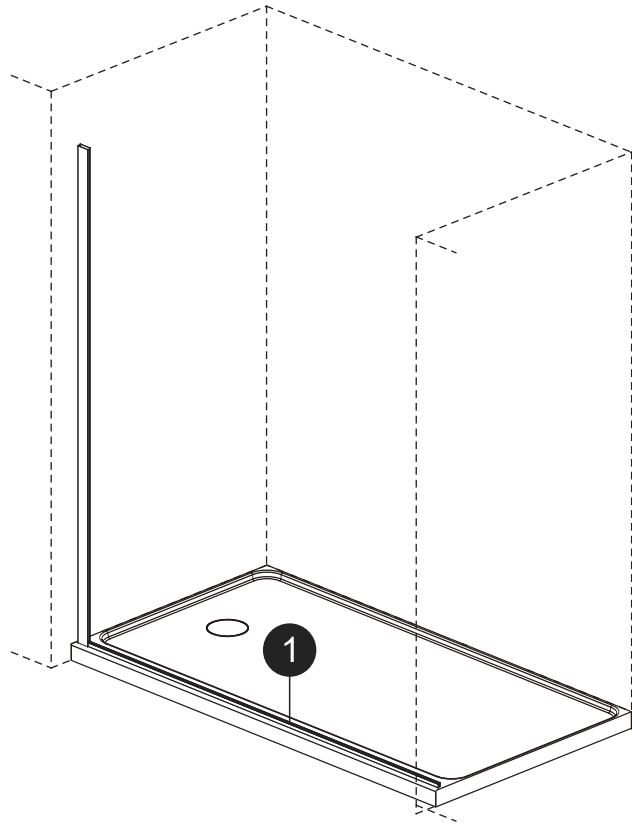
2. Use 1/4" drill bit for drilling needed holes.



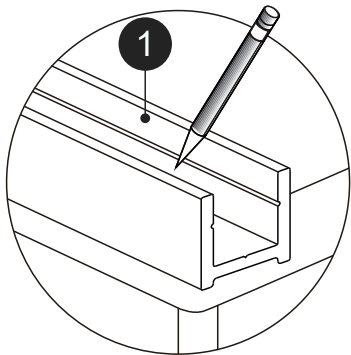
3. Mounting the **Wall Jamb (#3)** with the **Wall Plug (#13)** and **Screw ST4x1 3/8" (#18)**.

INSTALLATION STEPS

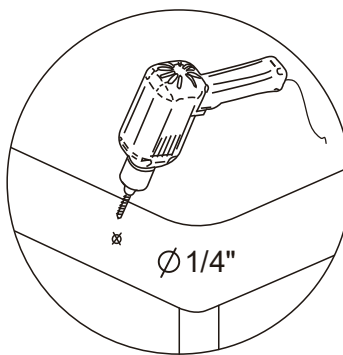
STEP 3-Install Bottom Channel



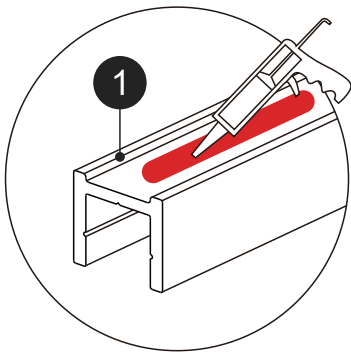
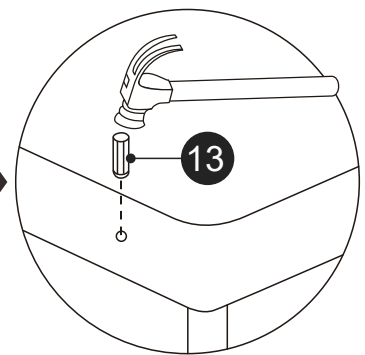
Note: The end with the pre-drilled hole is placed in the door opening position.



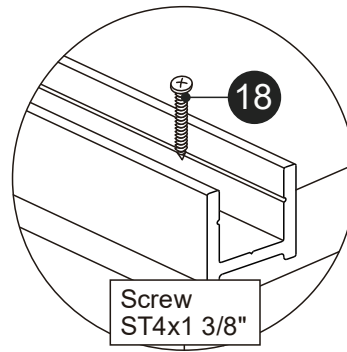
1. Place the **Bottom U Channel(#1)** on the line marked in step 2, mark the drill locations.



2. Remove Bottom U Channel, Drill Ø1/4" holes into the wall through marked positions and insert **Wall Plugs(#13)**.



3. Apply silicone at the bottom of the **Bottom U Channel(#1)** before installing.

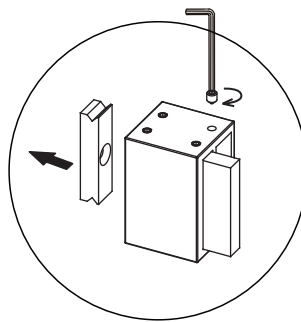
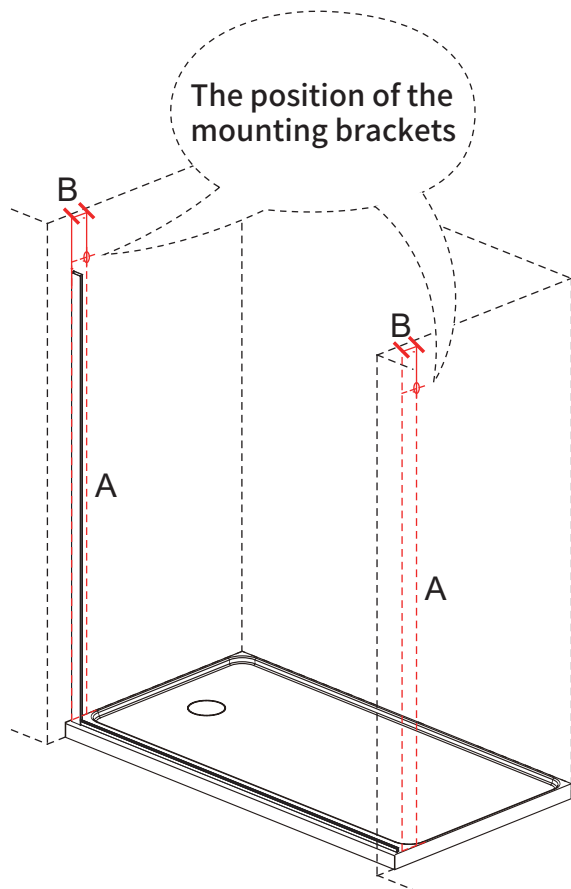


4. Install and secure it by **Screws ST4x1 3/8\"(#18)**.

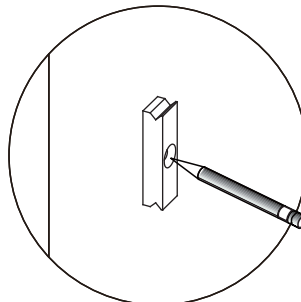
INSTALLATION STEPS

STEP 4-Mark the Top Rail Installation Location

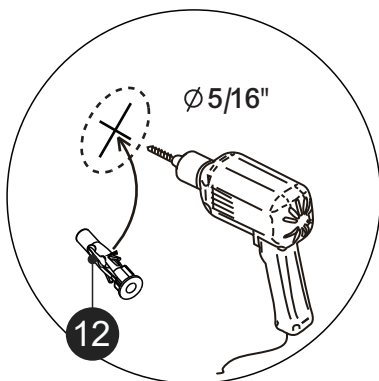
	the distance of the outside edge of the Wall Jamb(#3) to the wall (B)	Vertical distance from the threshold (A)
59x75in shower door	1 13/16"	74"
59x62in bathtub door	1 13/16"	61"



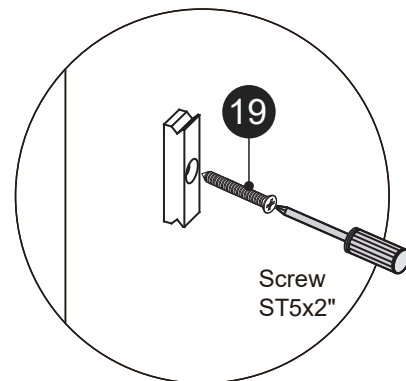
1. With the supplied 2.5mm Allen wrench, loosen the screws on the top of bracket collar. Remove the mounting bracket from the **Rail Bracket Assembly(#9)**.



2. Measure the horizontal distance from the **Wall Jamb (#3)** and the vertical distance from the threshold according to the values to determine the position of the mounting brackets.



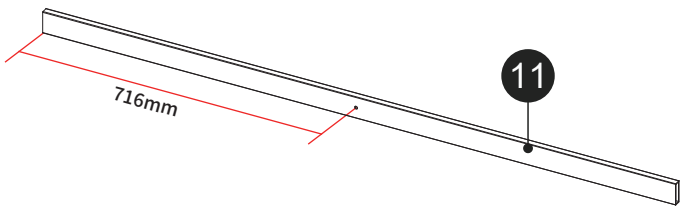
3. Drill $\varnothing 5/16''$ holes into the wall through marked positions and insert **Wall Plugs(#12)**.



4. Attached Wall Mount to wall using **Screws ST4x2''(#19)**. Repeat the installation of Wall Mount for the other side.

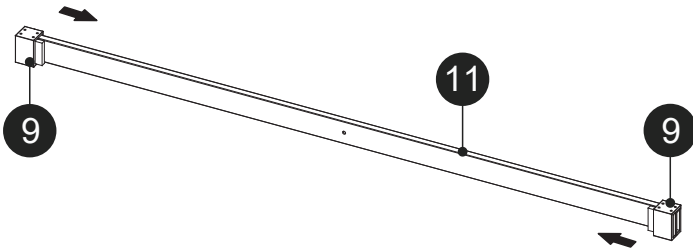
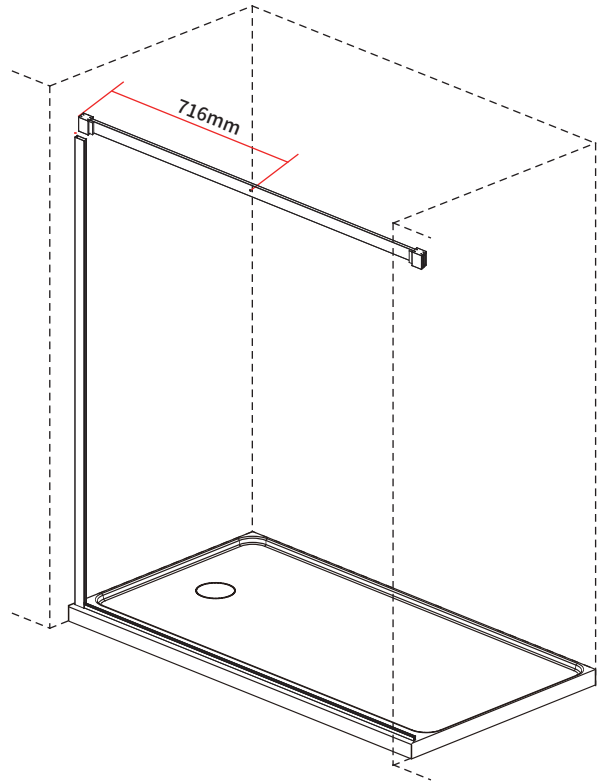
INSTALLATION STEPS

STEP 5-Mark the Top Rail Installation Location



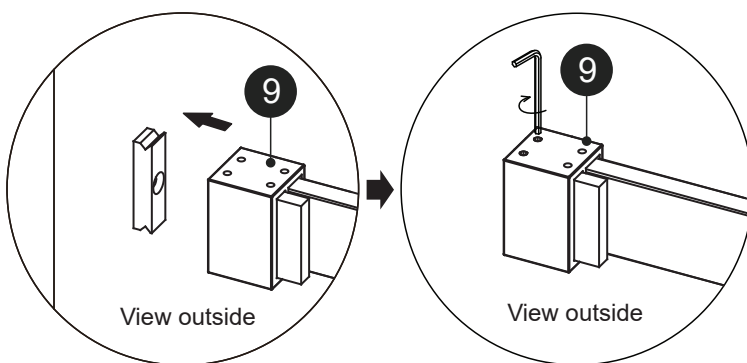
1. Measure the distance from the **Top Rail(11)** pre-drilled hole to the ends of two sides. Note that the shorter distance (716mm) end is placed in the direction of the mounting **Wall Jamb(#3)**.

(IMPORTANT: Bump stops should face outward as shown.)



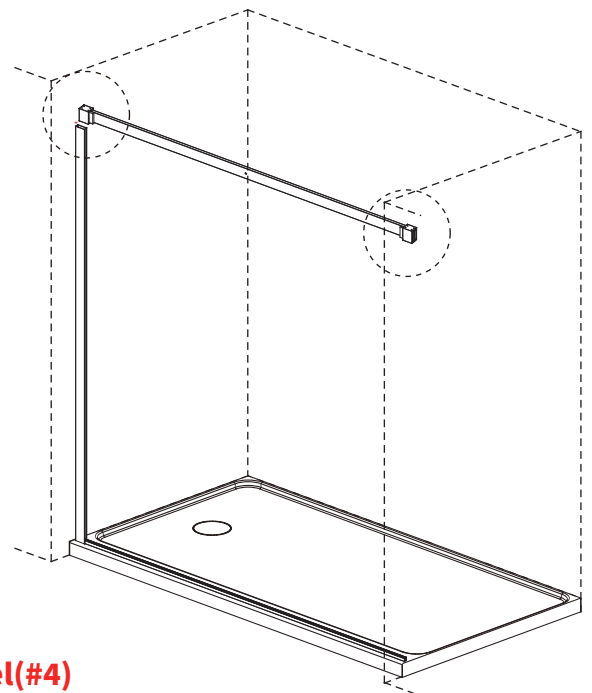
2. Slide 2 Rail **Bracket Assemblies(#9)** on to end of **Top Rail(#11)** to be connected to the mounting brackets.

(NOTE: Bump stops should face outward).



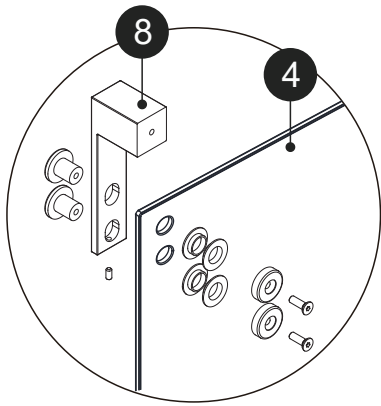
3. Secure the **Rail Bracket Assemblies(#9)**, use provided allen wrench to hand tighten. Repeat on the other side.

NOTE: This step just need to lock the end of the screws, facilitate the next step in the installation of **Fixed Panel(#4)** when to make adjustments.

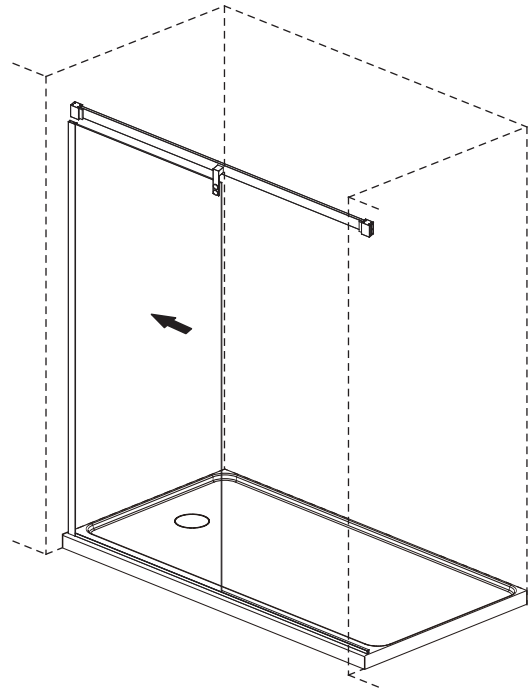


INSTALLATION STEPS

STEP 6-Install Fixed Panel



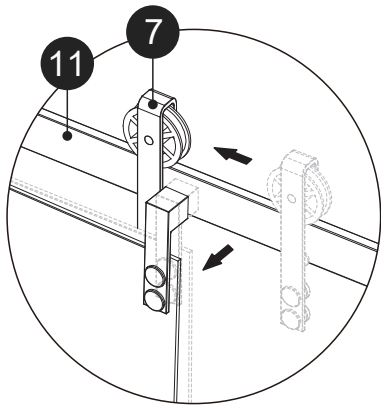
1. Connect the Fixed Glass Support Assembly (#8) to the Fixed Panel (#4), use provided allen wrench to hand tighten.



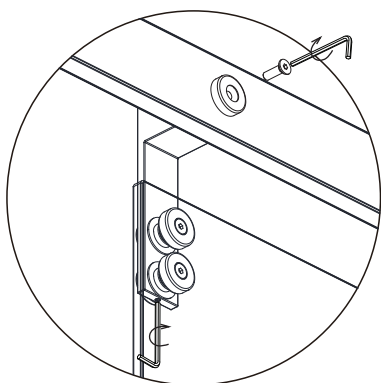
2. Install the Fixed Panel (#4) into the Wall Jamb (#3) to the Bottom U Channel (#1).

NOTE: No need to lock the Fixed Glass Support Assembly (#8) to the Top Rail (#11) in this step.

WARNING: Glass is very HEAVY. It is recommended that this door be installed by professionals with a minimum of two installers.

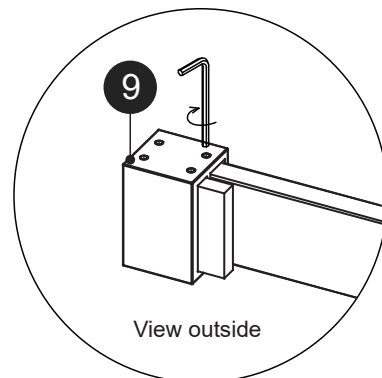


3. Slide a Roller (#7) through the Fixed Glass Support Assembly (#8) onto the Top Rail (#11) above the Fixed Panel (#4). (Note the wheel orientation).



4. Secure the Fixed Glass Support Assembly (#8) to the Top Rail (#11).

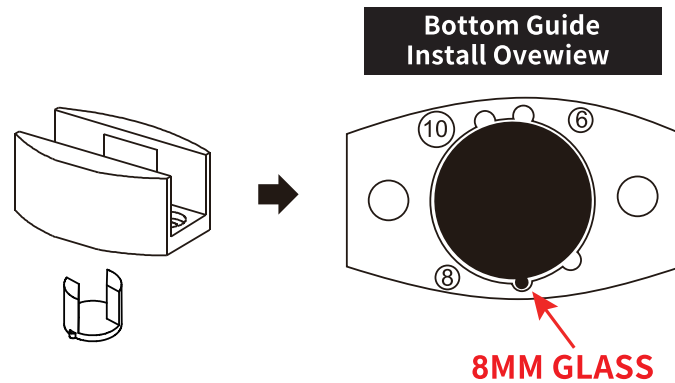
NOTE: Adjustment by rotate the bottom of the Fixed Glass Support Assembly (#8).



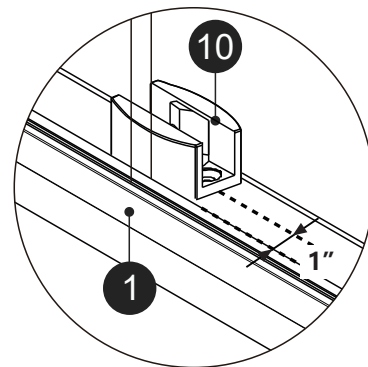
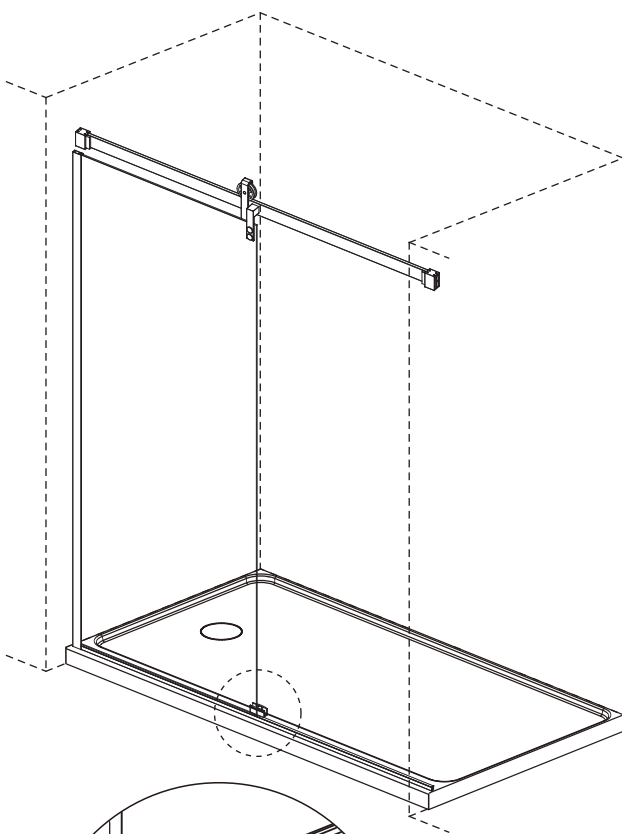
5. Secure the Rail Bracket Assembly (#9), use provided allen wrench to hand tighten. Repeat on the other side.

INSTALLATION STEPS

STEP 7-Bottom Guide

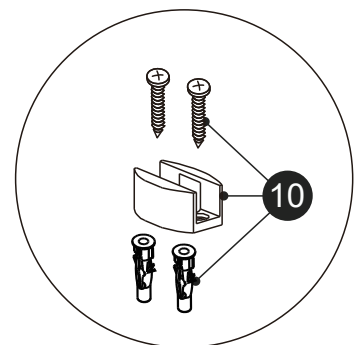
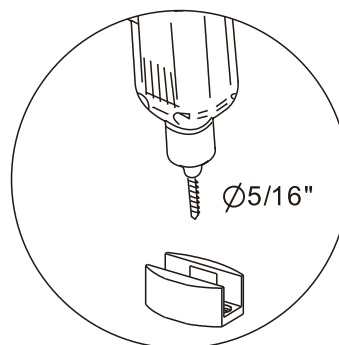
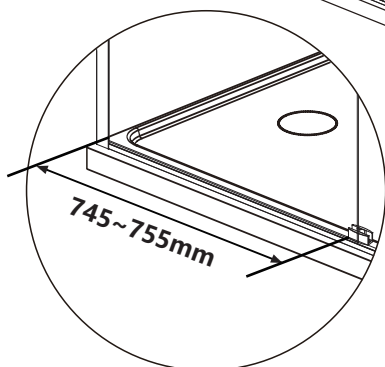


Please ensure plastic insert block install at "8" of the bottom guide as shown.



1. Position the **Bottom Guide(#10)** and mark the two hole positions.

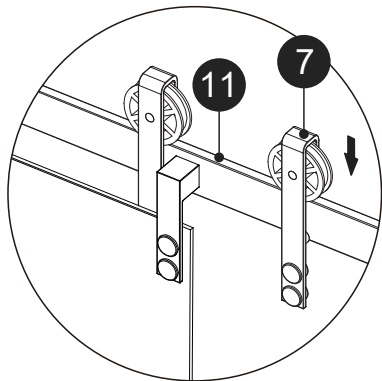
Note: The hole locations for installing **Bottom Guide(#10)** should be 1" from the inside edge of the **Bottom U Channel(#1)**.



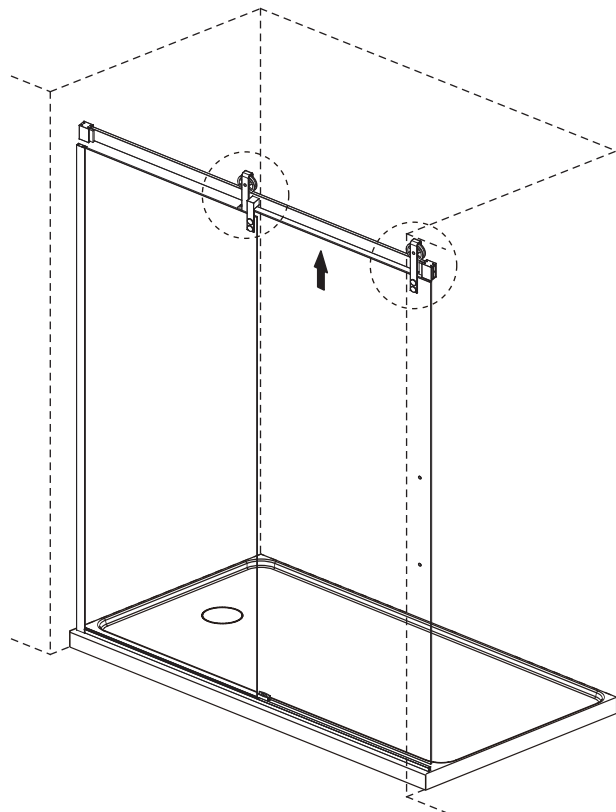
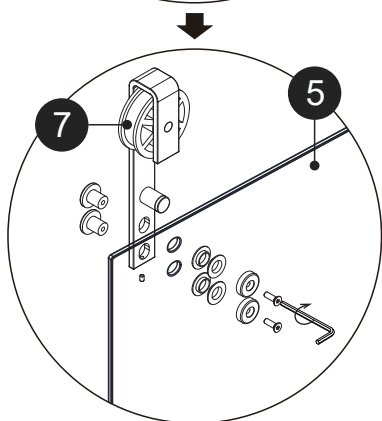
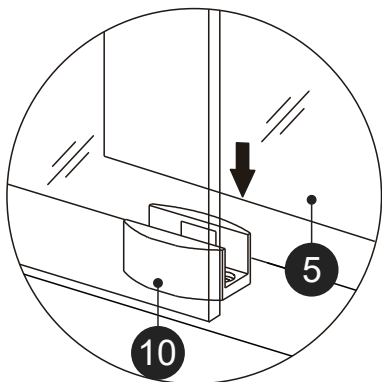
2. Drill 2 Ø5/16" holes through marked positions and insert **Wall Plugs(#10)**, secure it by **Screws ST5x1 3/16" (#10)**.

INSTALLATION STEPS

STEP 8-Install Door Panel



1. Using provided hex wrench, disassemble glass connectors of the other one **Roller(#7)**, hang to the **Top Rail(#11)** as shown.



2. Position the **Door Panel (#5)** to the **Bottom Guide(#10)** and connect **Rollers (#7)** to **Door Panel (#5)** following the assembly sequence shown.

WARNING: Glass is very HEAVY. It is recommended that this door be installed by professionals with a minimum of two installers.

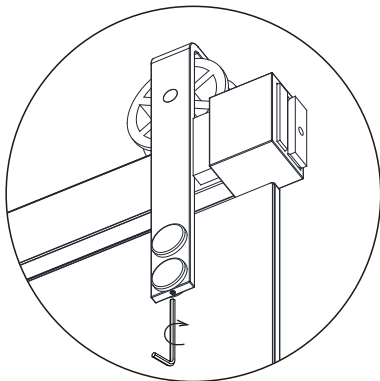
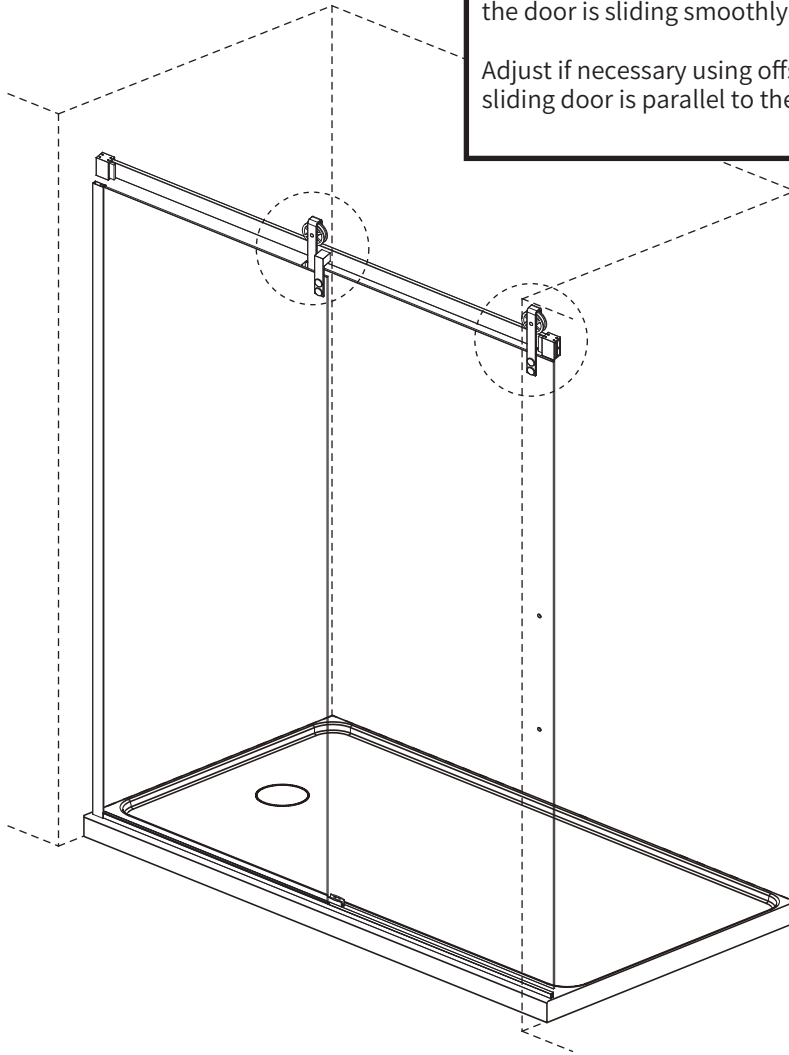
INSTALLATION STEPS

STEP 9-Roller Adjustment



Carefully slide the door toward the wall and check the door is sliding smoothly.

Adjust if necessary using offset in rollers, so that the sliding door is parallel to the tray.

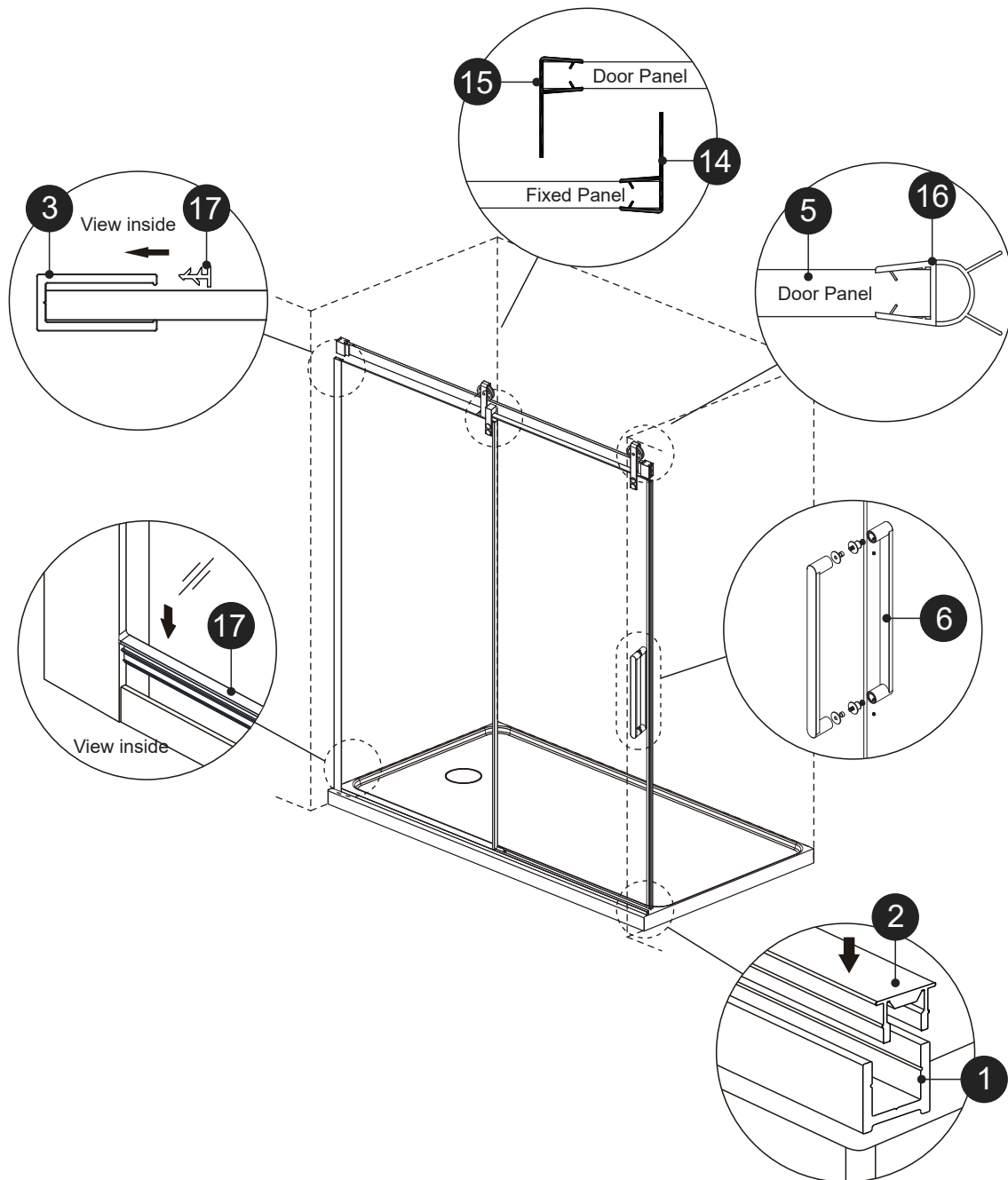


HOW TO ADJUST

Rotate the bottom of roller assembly using the small hex.

INSTALLATION STEPS

STEP 10-Door Seal/Door Gasket Strip/Handle/Cover Strip Profile



1. Install the **Door Gasket Strip (#17)** to the Bottom U Channel of **Fixed Panel(#4)** and **Wall Jamb(#3)**.
2. Install the "F" **Door Seal-A(#14)** to **Fixed Panel (#4)**, Install the "F" **Door Seal-B(#15)** to **Door Panel (#5)**.
3. Install the "D" **Door Seal (#16)** to **Door Panel (#5)**.
4. Attach the **Handle (#6)** to the outside of the **Door Panels (#5)**.
5. Cover the **Strip Profile(#2)** to the **Bottom U Channel(#1)** of door opening.

INSTALLATION STEPS

Allow 24 hours for the silicone to cure, before using the shower.

Apply clear silicone caulking along the wall and threshold of the shower door inside and outside.

(make sure you) wait 24hours before using the shower. Do not allow water to directly hit door.



24 HOURS



24 HOURS

