

Thank you for choosing a product. Your total satisfaction is our #1 priority.

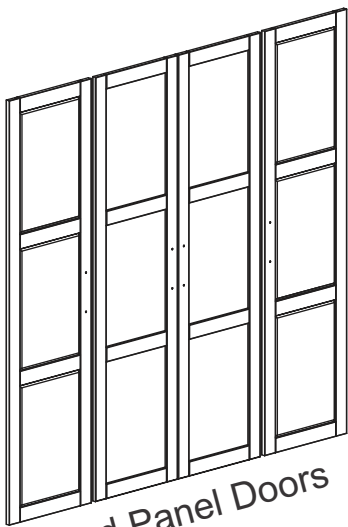
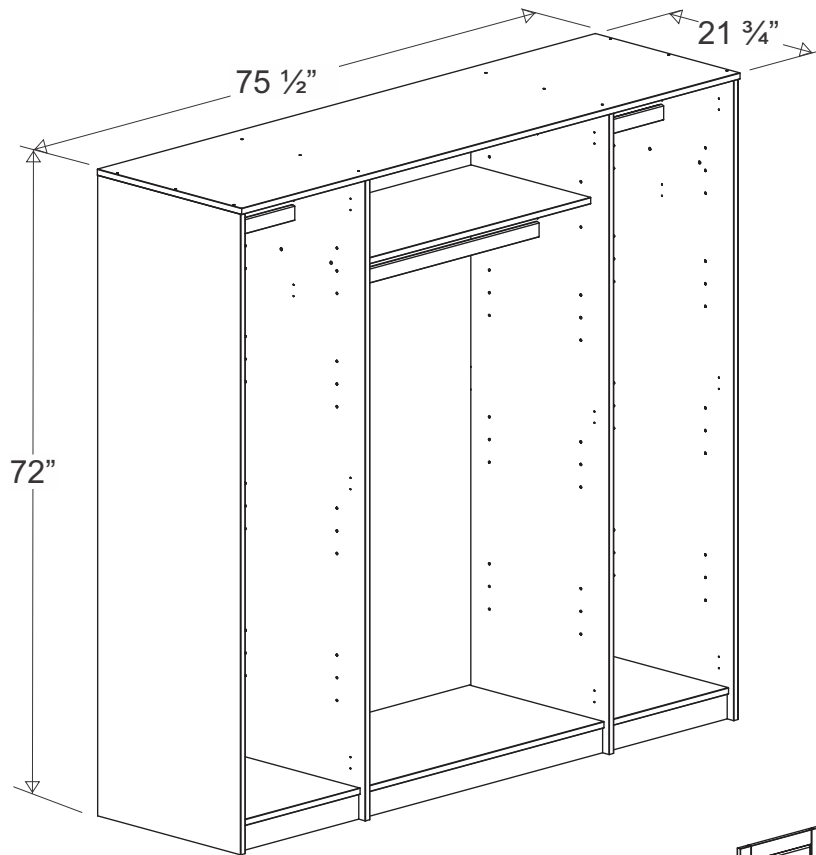
Customer Service and Warranty Information

- Should you have a problem or need more information concerning the warranty, **do not contact the place of purchase. Please email our customer service department for immediate assistance**
- Products are warranted to the original purchaser against defects in material or workmanship in the furniture. Defects as mentioned in this warranty refer to any imperfections which may impair the use of the product. Our warranty is expressly limited to the replacement of furniture parts and components for one year following the date of purchase.
- We will replace any part that is defective. This warranty applies under conditions of normal use. Our furniture products are not intended for outdoor use. The warranty does not cover defects caused by improper assembly or disassembly, defects occurring after purchase due to product modifications, intentional damage, accident, misuse, exposure to the elements and labor or assembly costs.
- We reserve the right to request proof of purchase to document a warranty claim. In no event shall we be liable for incidental or consequent damages resulting from the misuse of the product.

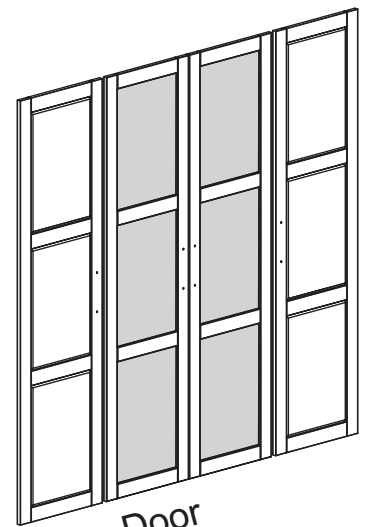
ASSEMBLY GUIDE

URBAN 4-DOOR WARDROBE

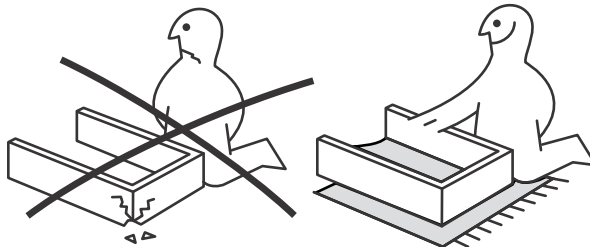
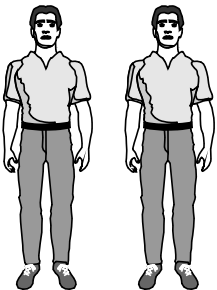
Compliant with Federal Law STURDY Act (Stop Tip-overs of Unstable, Risky Dressers on Youth). Passed 16 CFR 1262, ASTM F2057-23 Tests.



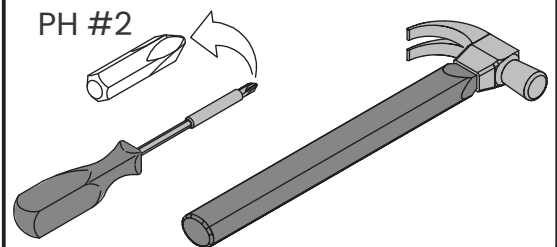
Raised Panel Doors



Mirror Door



PH #2



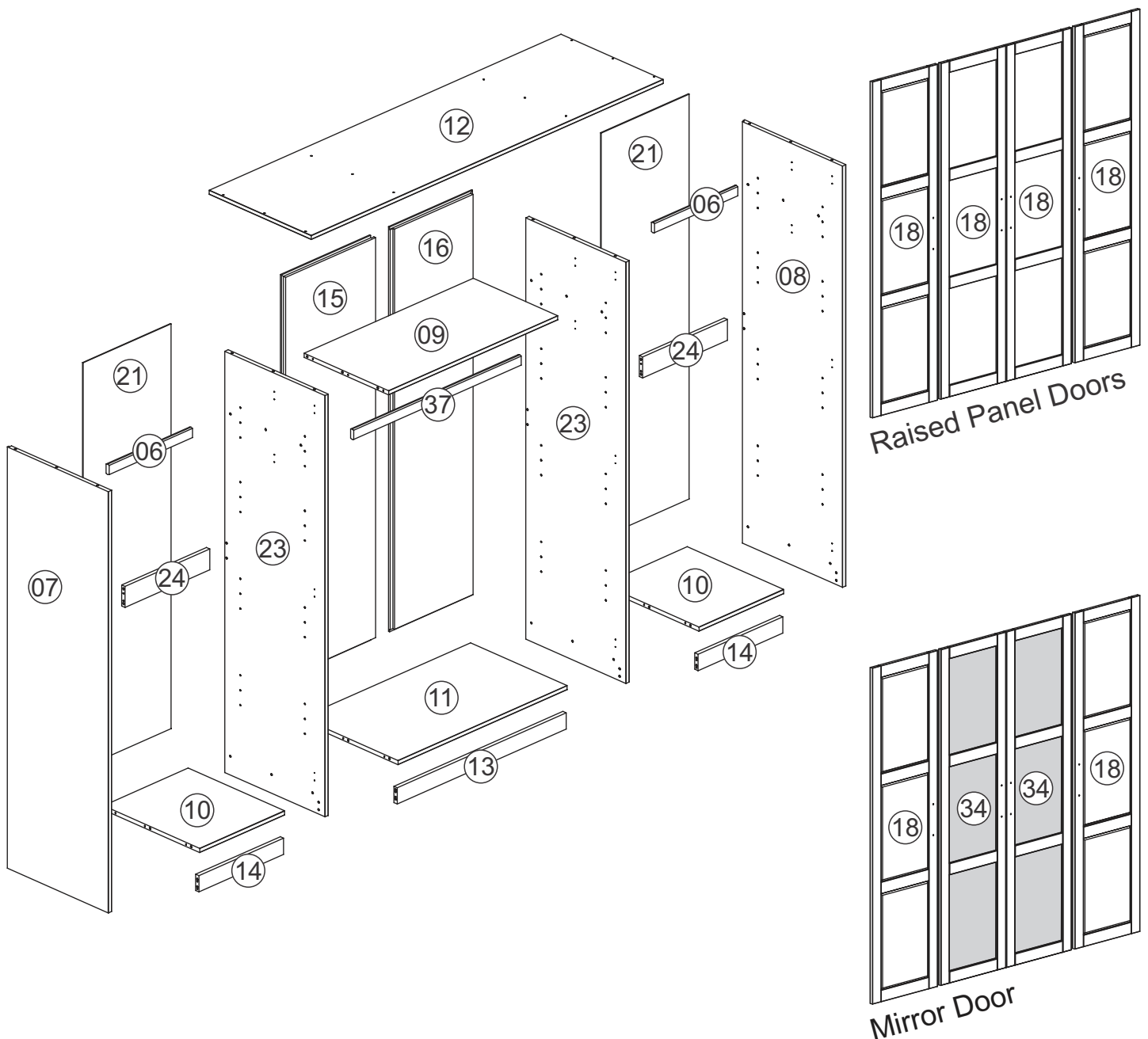
Before You Begin Assembly

- Carefully inspect the package contents. A complete parts checklist is provided below.
- If any parts are missing or damaged, please contact us for assistance.


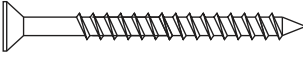
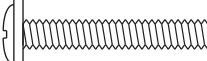
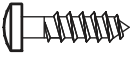

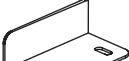



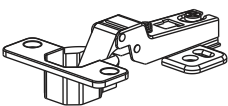
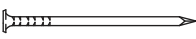
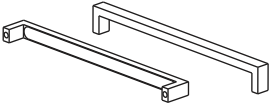
Assembly Tips


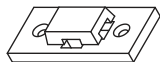

- Assemble the item on a flat, smooth surface. We recommend placing a blanket or protective covering underneath to prevent scratches.
- Use a power drill **only at a low-speed setting** to avoid damaging components.
- Assemble the product as close as possible to its final location to minimize the need for moving it later.
- Important: The hardware pack contains small parts that may pose a choking hazard.
Keep all small items out of reach of young children.

PARTS LAYOUT



Screws Are Illustrated at Actual Size for Accurate Reference

A1	 4,0x30	45+3
A16	 4,0x40	12+1
A25	 M4x25	08+1
A44	 3,5x14	74+4
C2	 8,0x25	56+3
D3	 45x27x12	03
D10		06
D27		10+1
D35	 50x13x1,2	02
F16		12
G1	 10x10	70
H12		04

TIPOVER RESTRAINT KIT		
A47	 3,0x20	02+1
F8	 47x20x9	02
F15	 300mm	01

WARNING:
CHOKING HAZARD

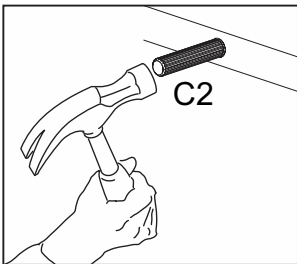
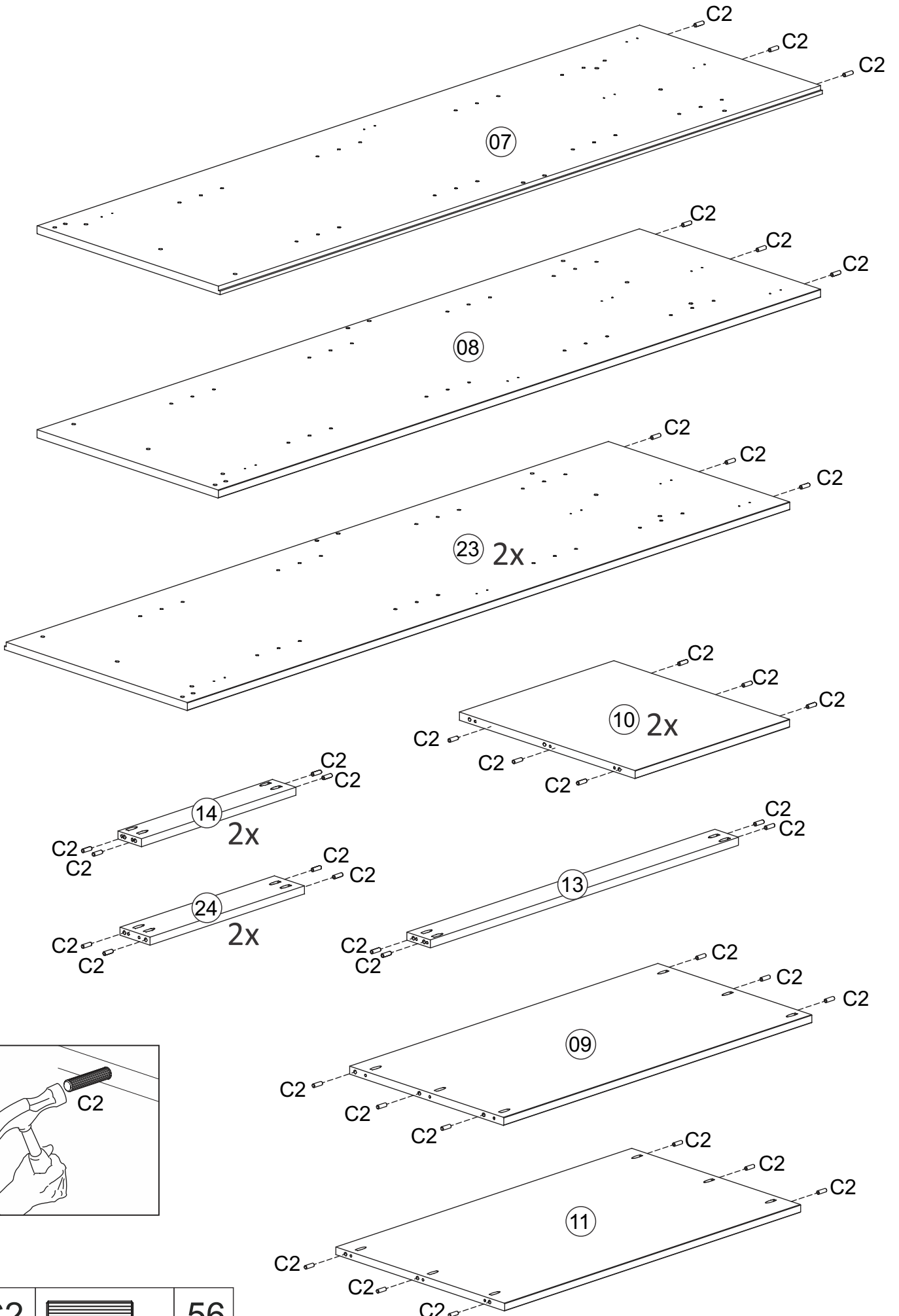
Contains small parts - choking hazard.
Adult supervision is required during assembly.
Not suitable for children under 3 years of age.


WARNING:

Important Safety Notice:

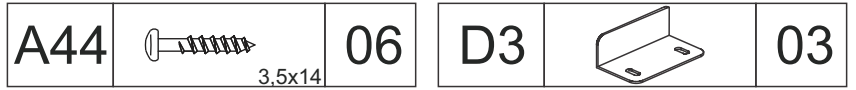
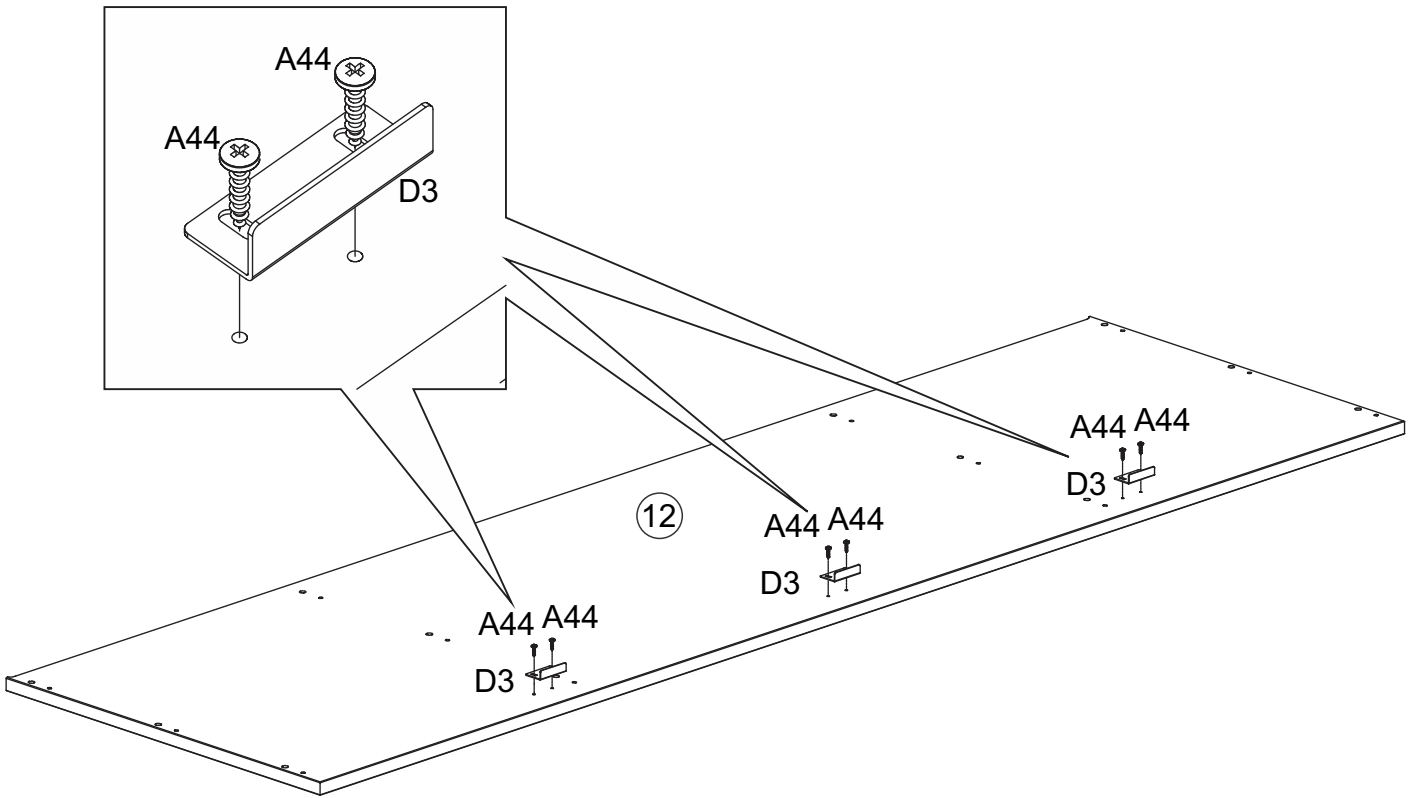
This furniture includes tip-over prevention hardware, which **MUST** be securely attached to the wall as outlined in the assembly instructions. Failure to do so may result in serious injury or death.

01)

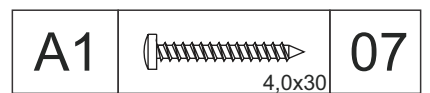
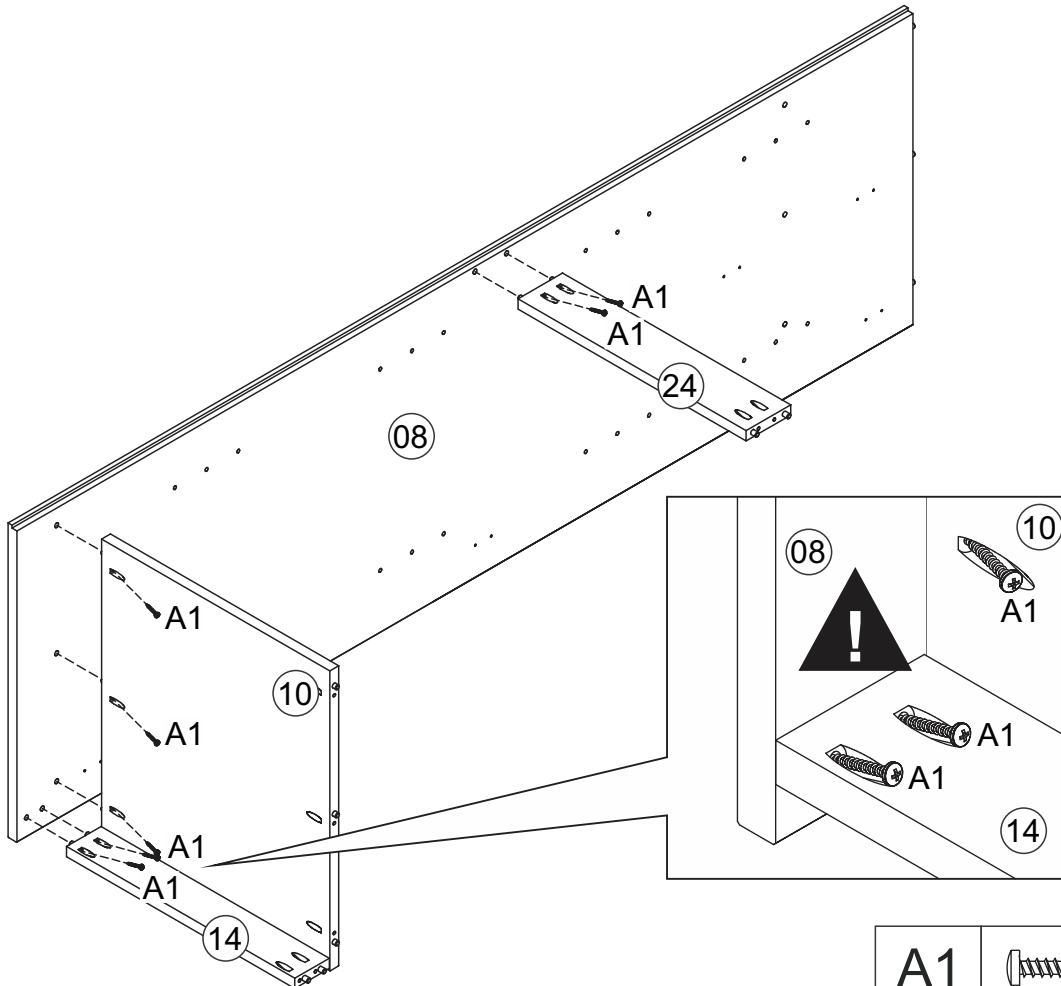


C2		56
	8,0x25	

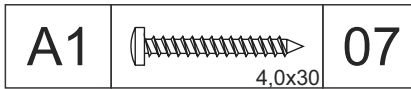
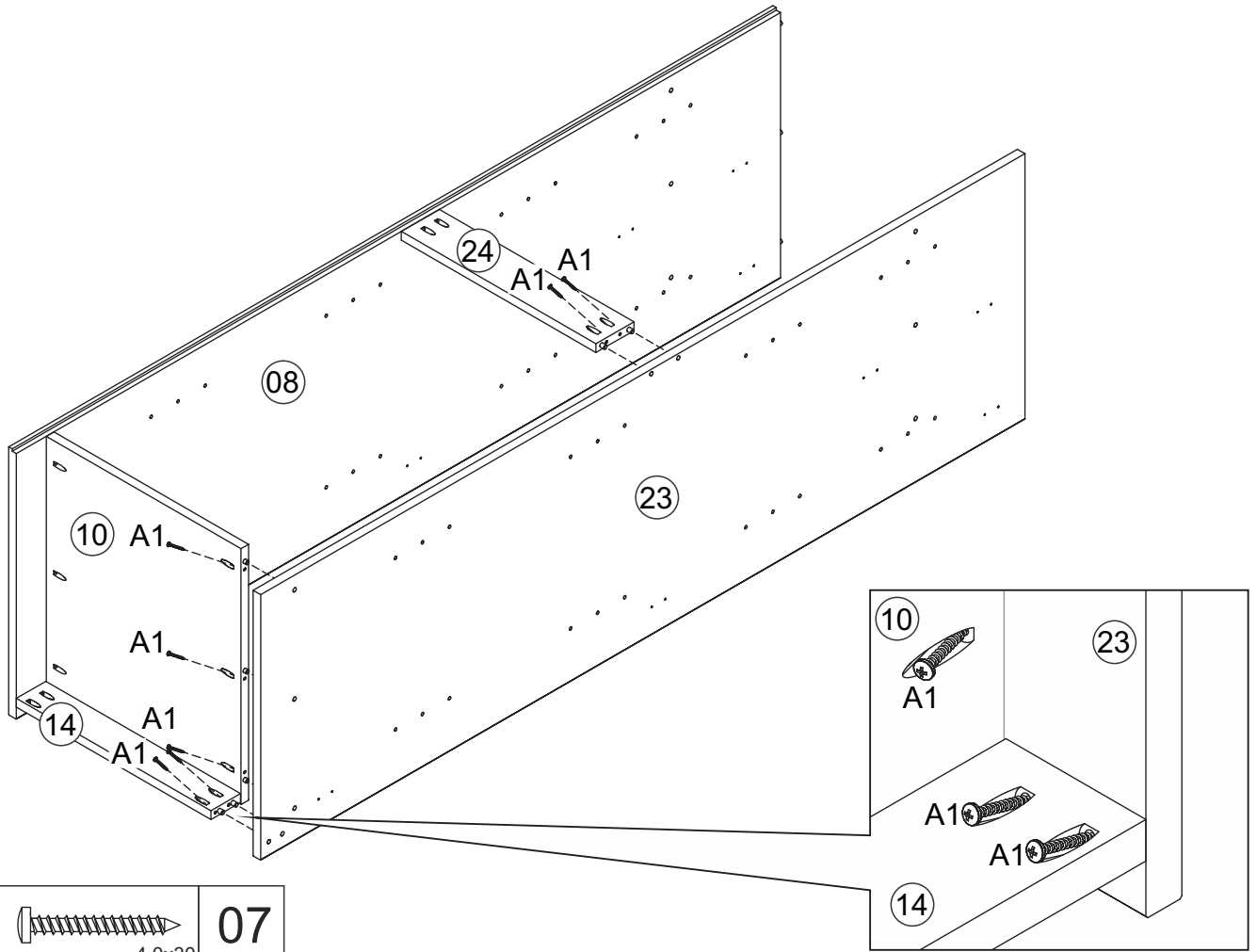
02)



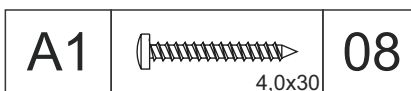
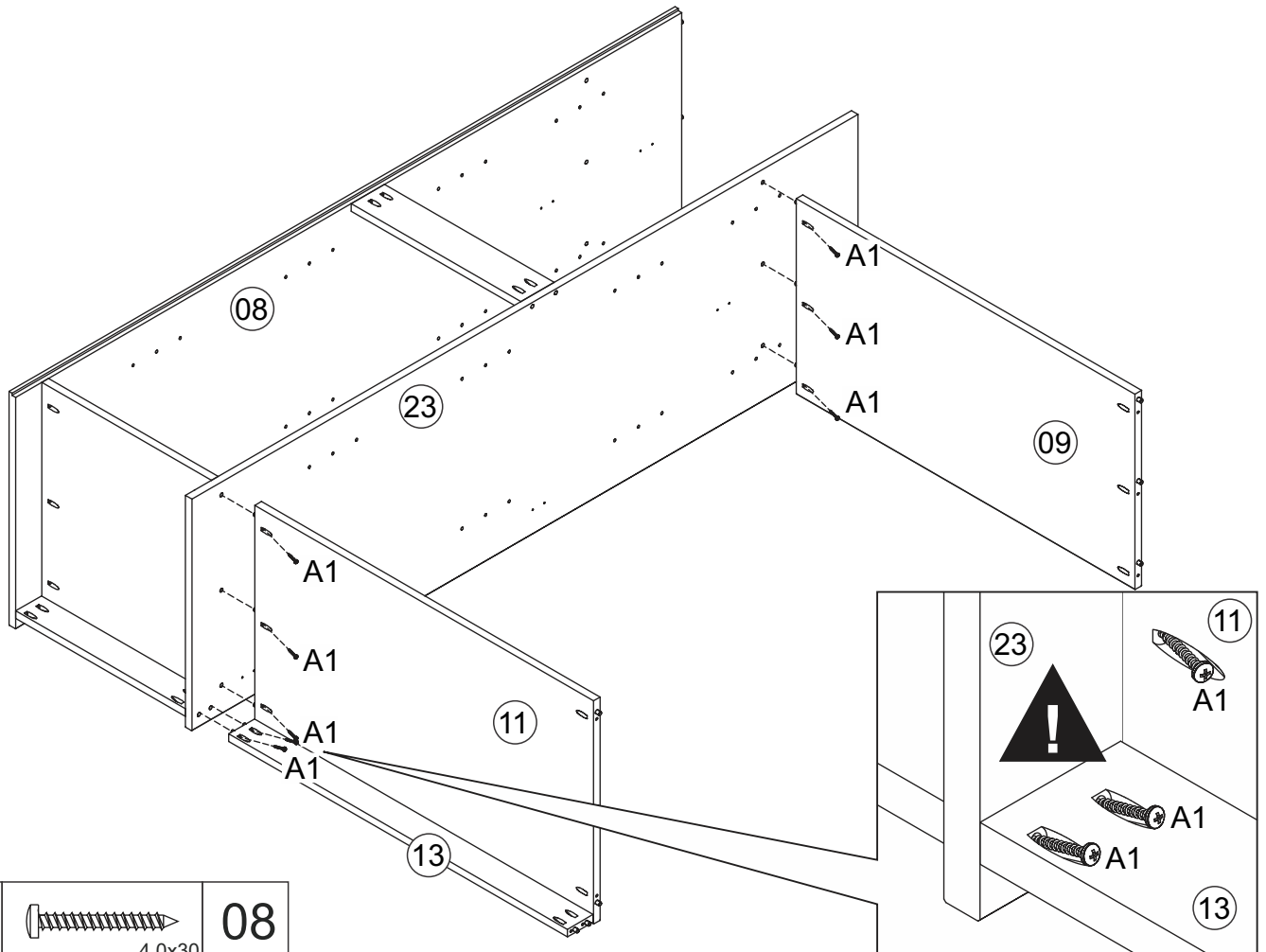
03)



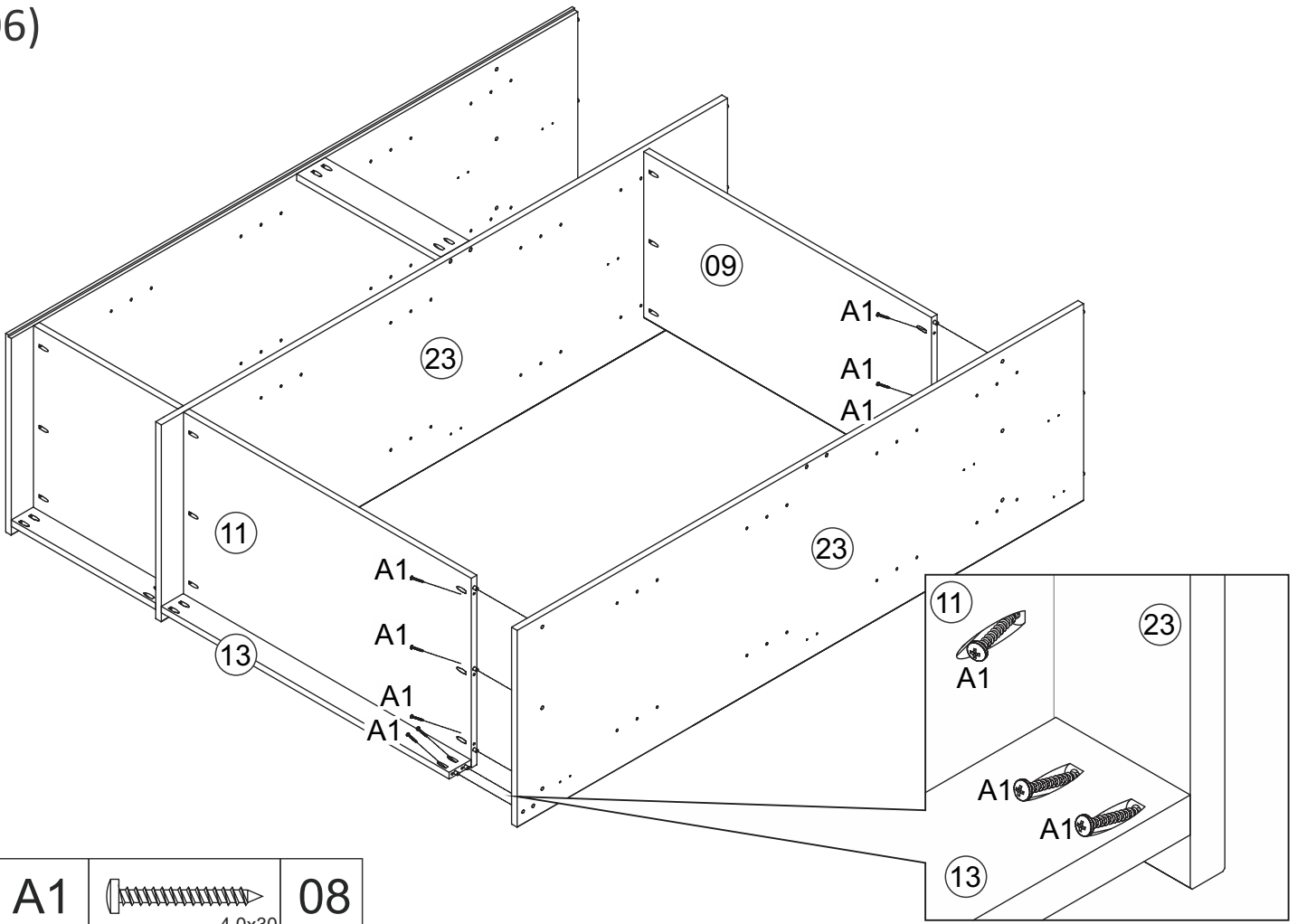
04)



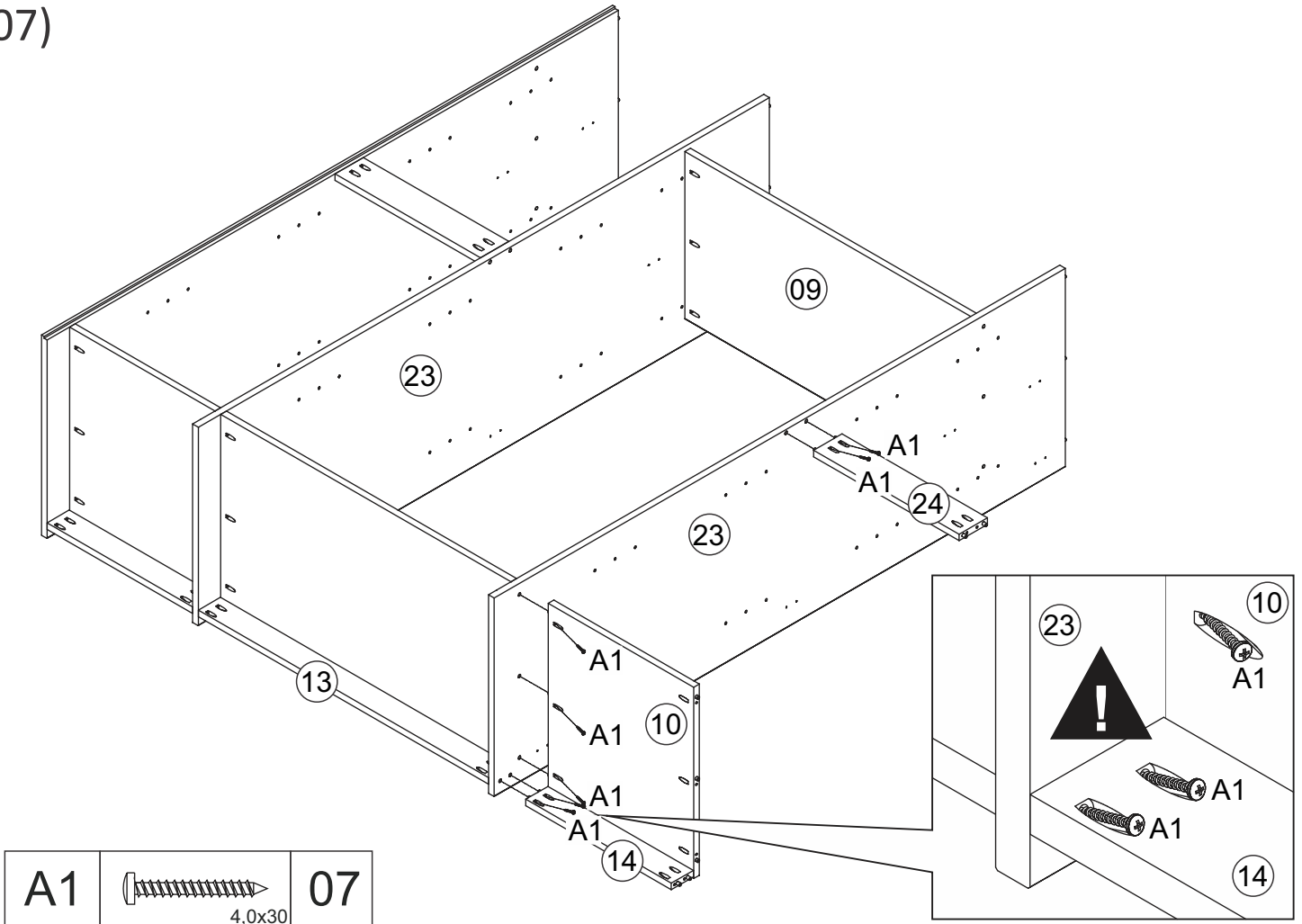
05)



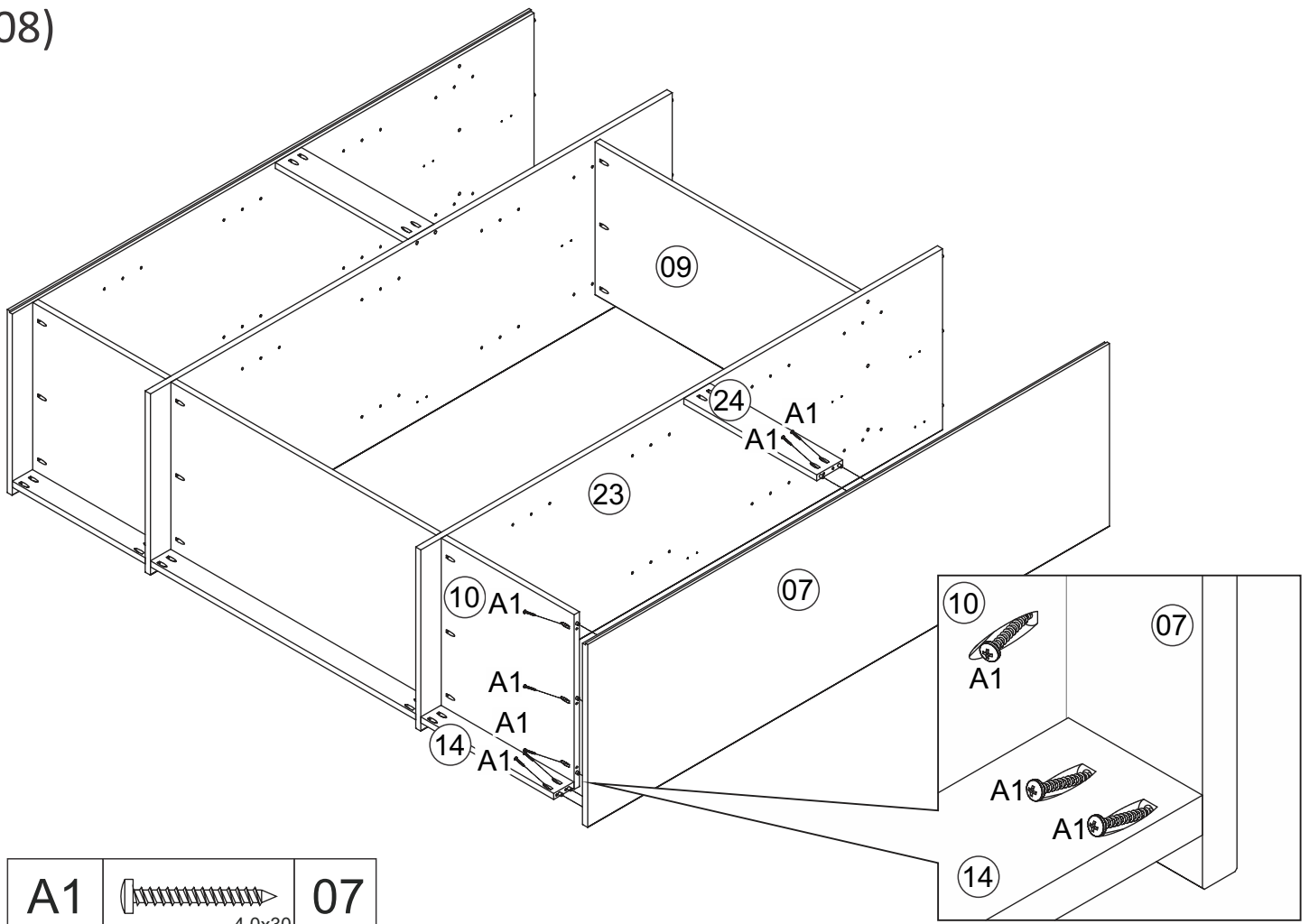
06)



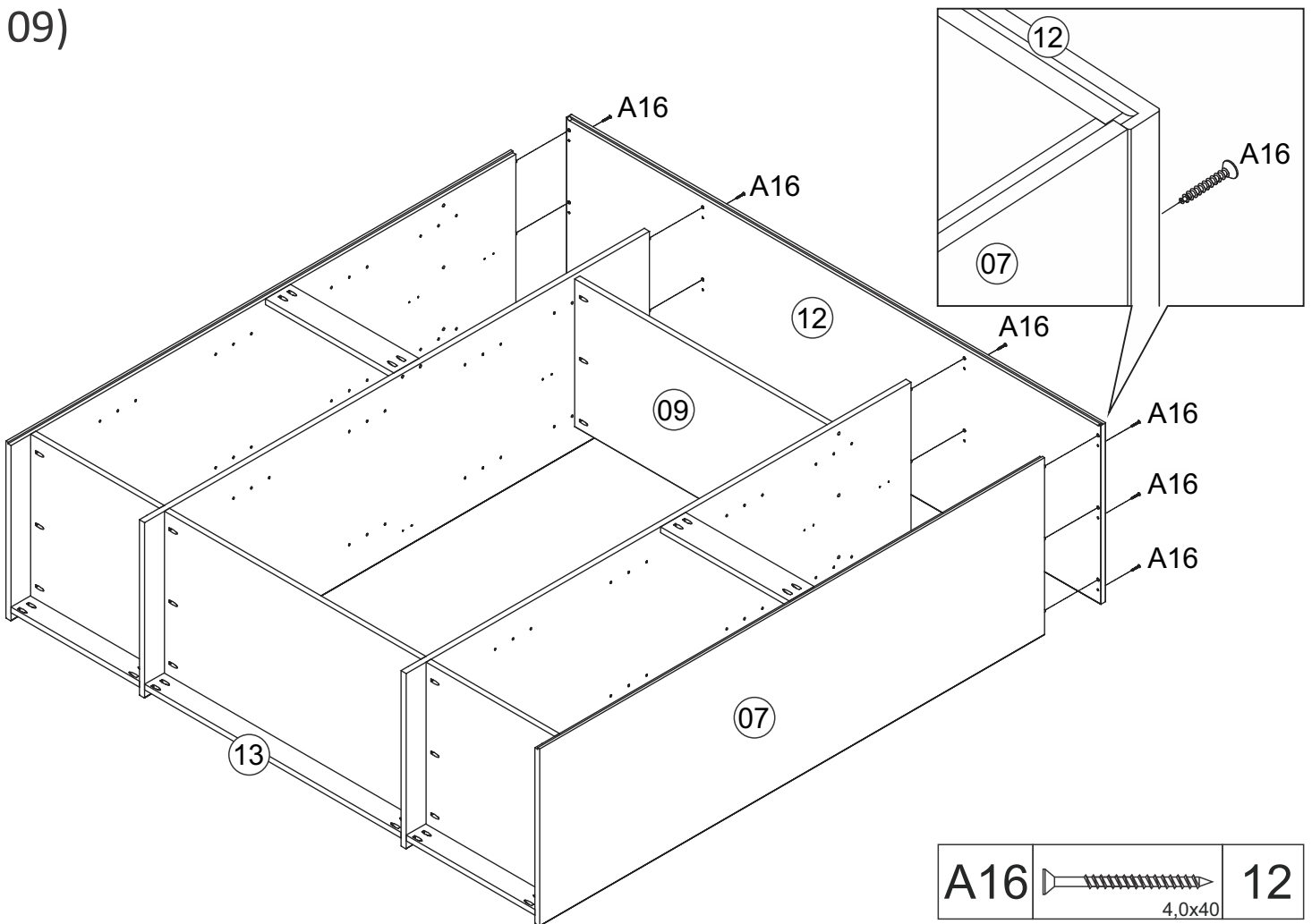
07)



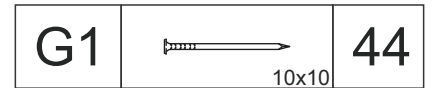
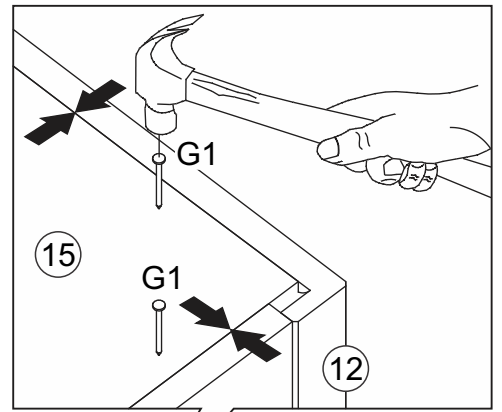
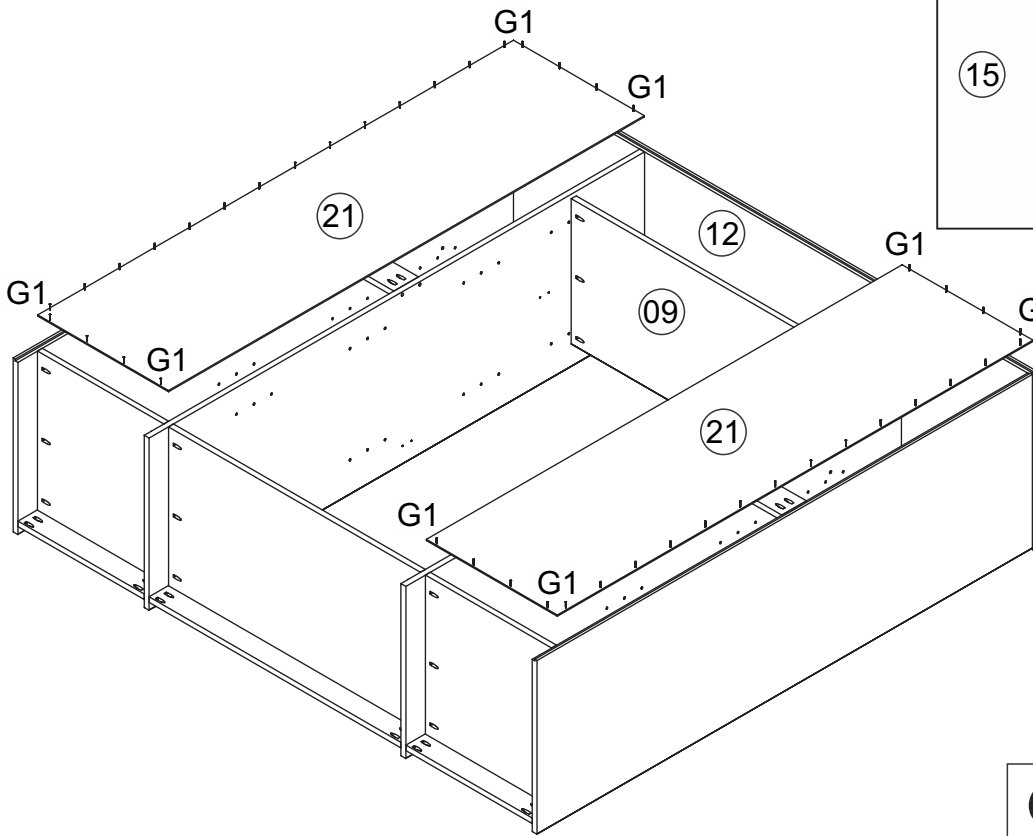
08)



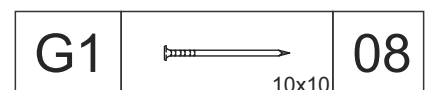
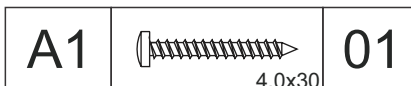
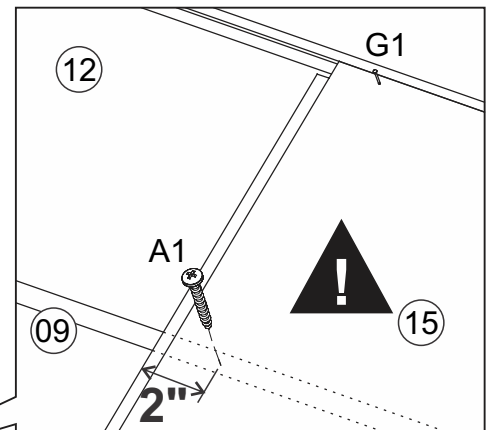
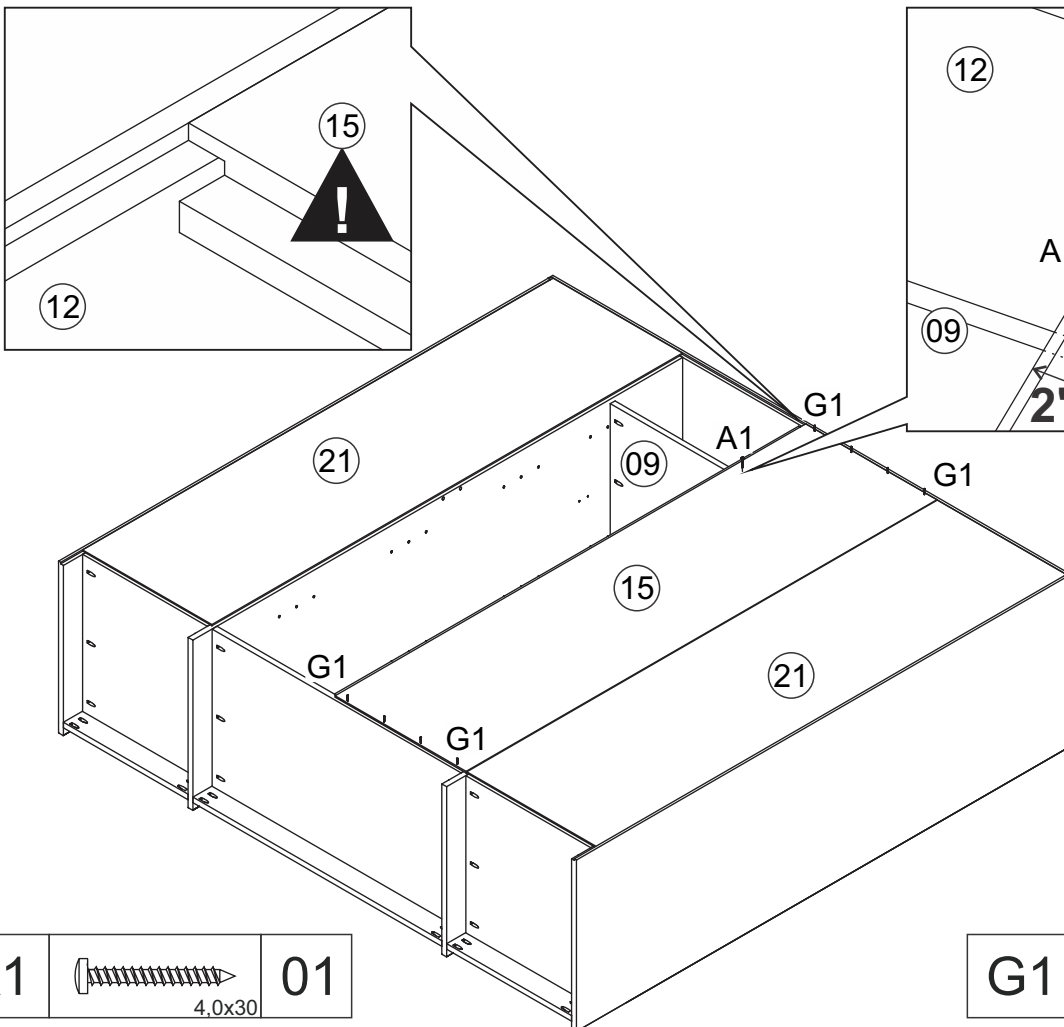
09)



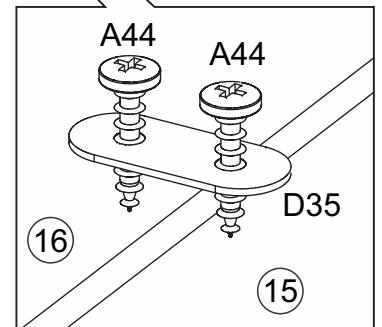
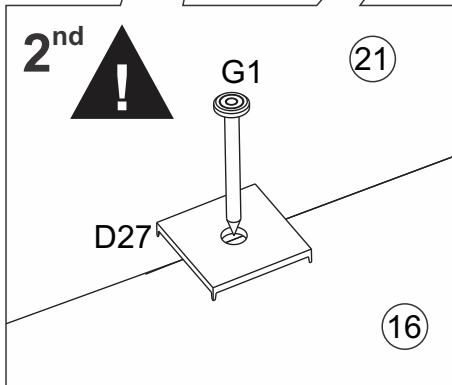
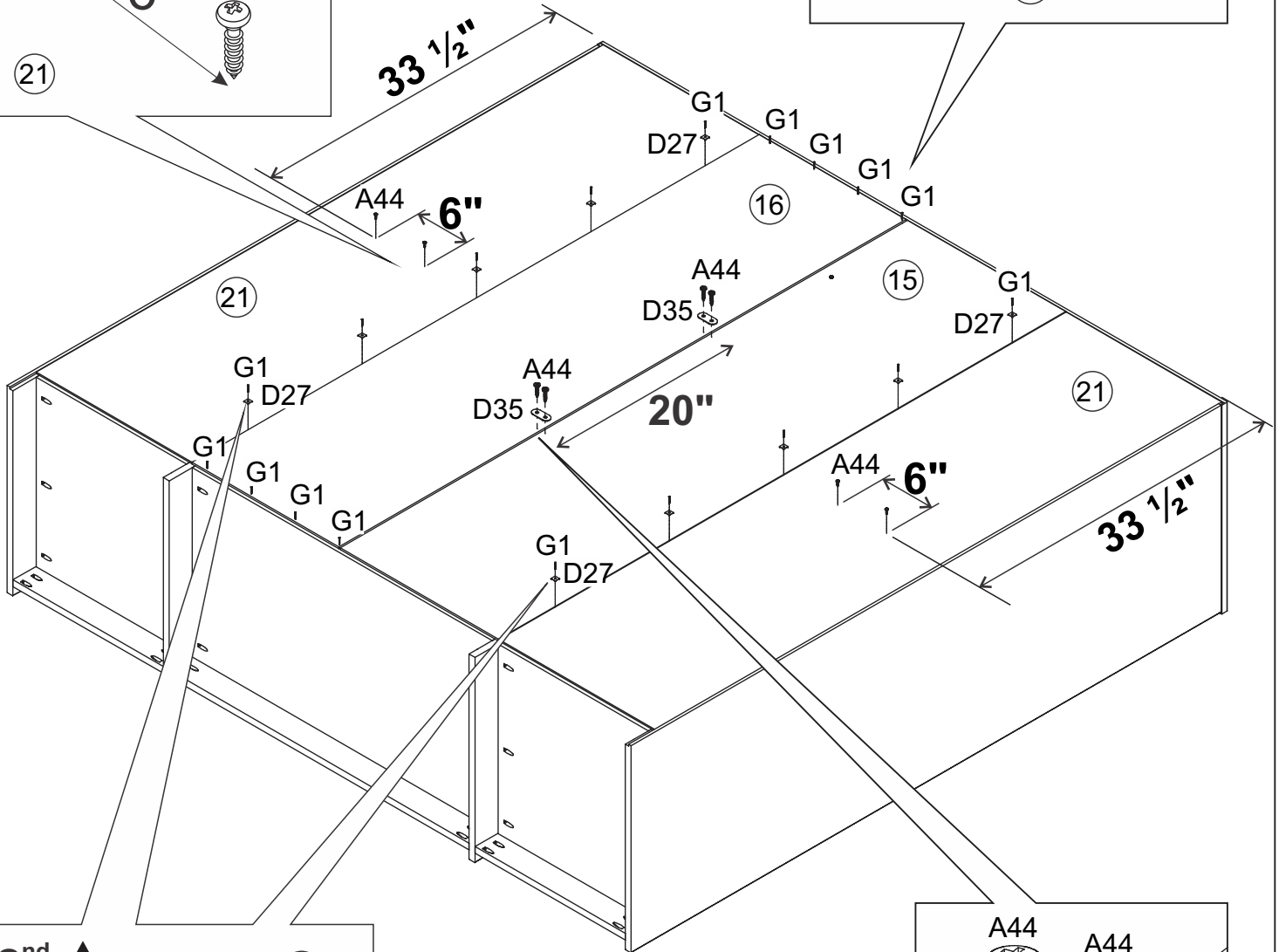
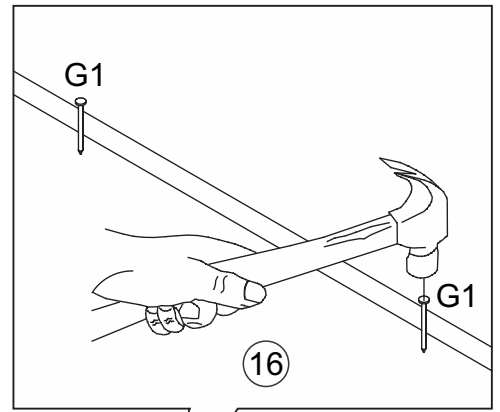
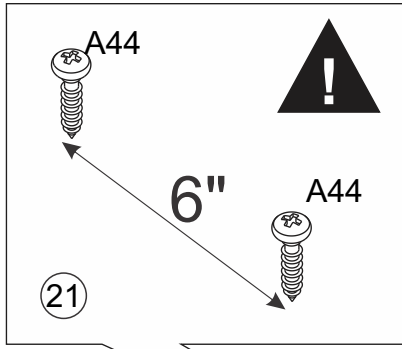
10)

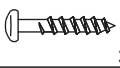




11)




12)

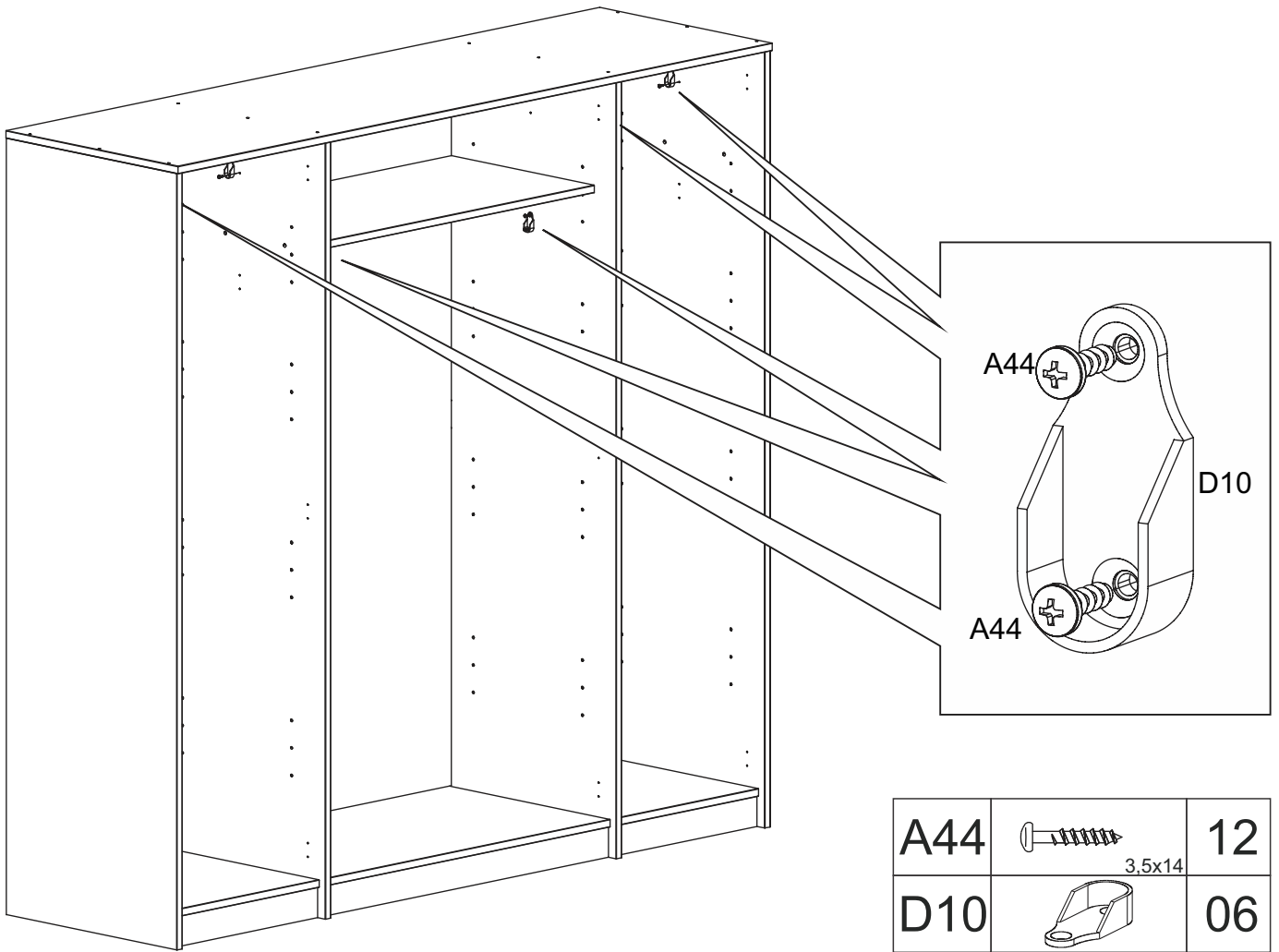


A44	 3.5x14	08
D27		10

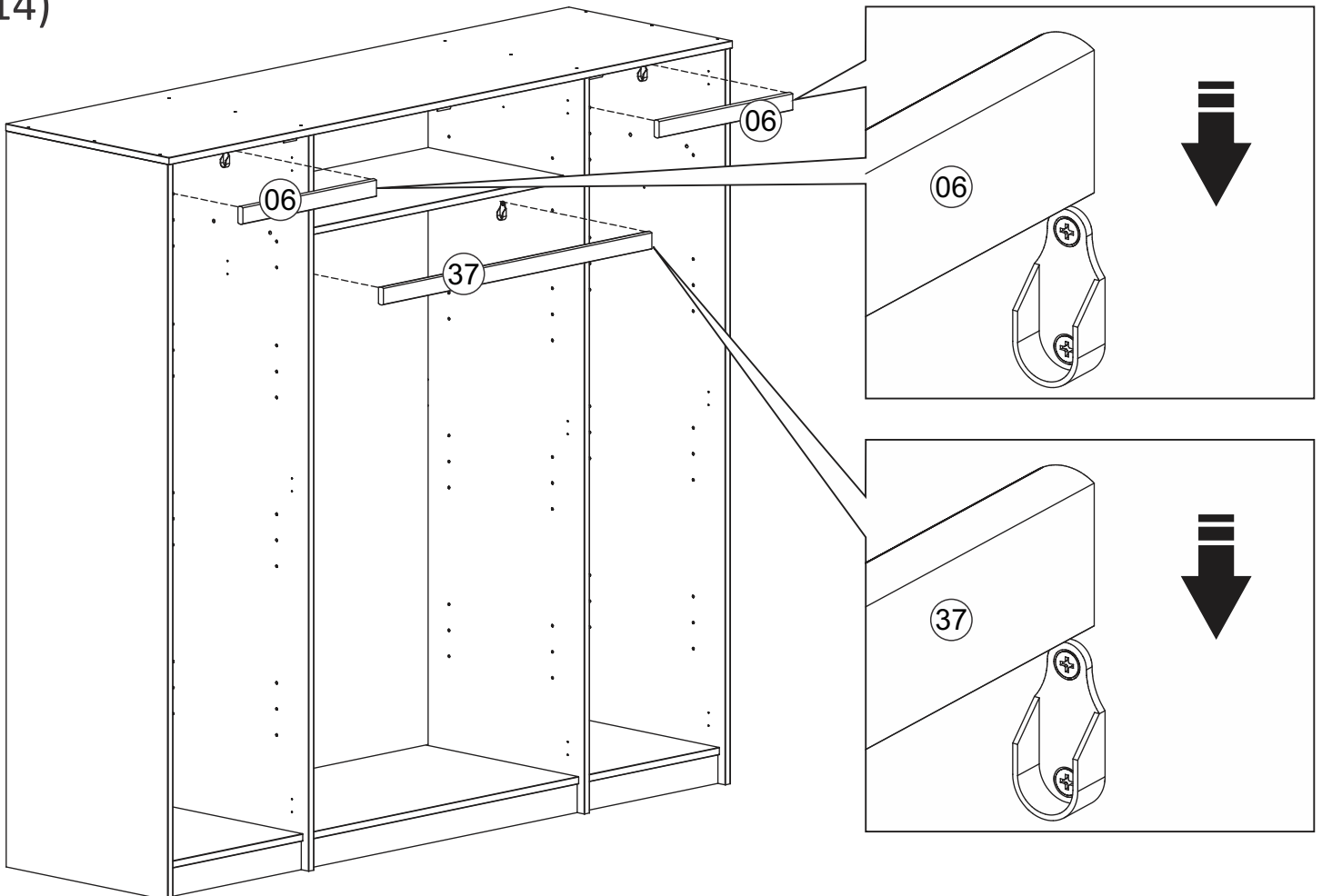
D35		02
-----	---	----

G1	 10x10	18
----	--	----

13)

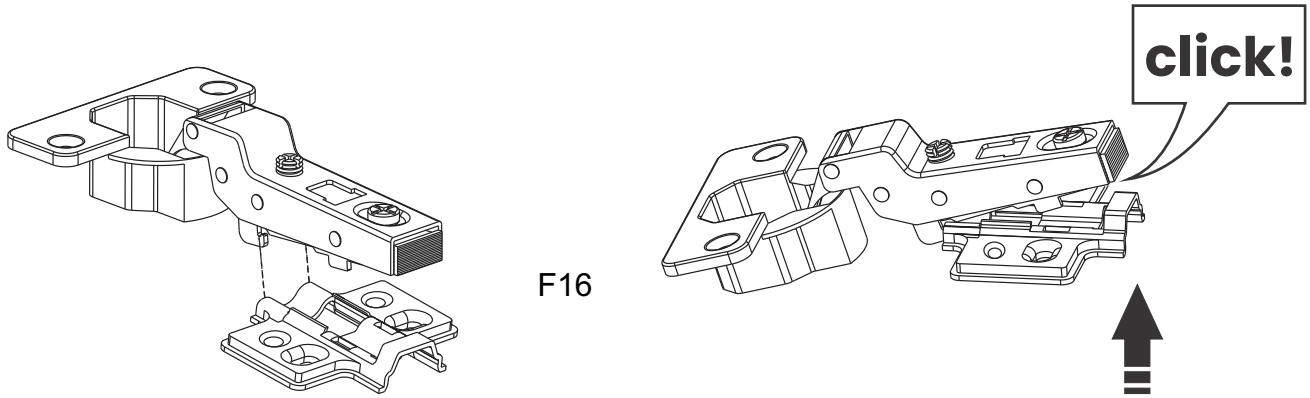


14)



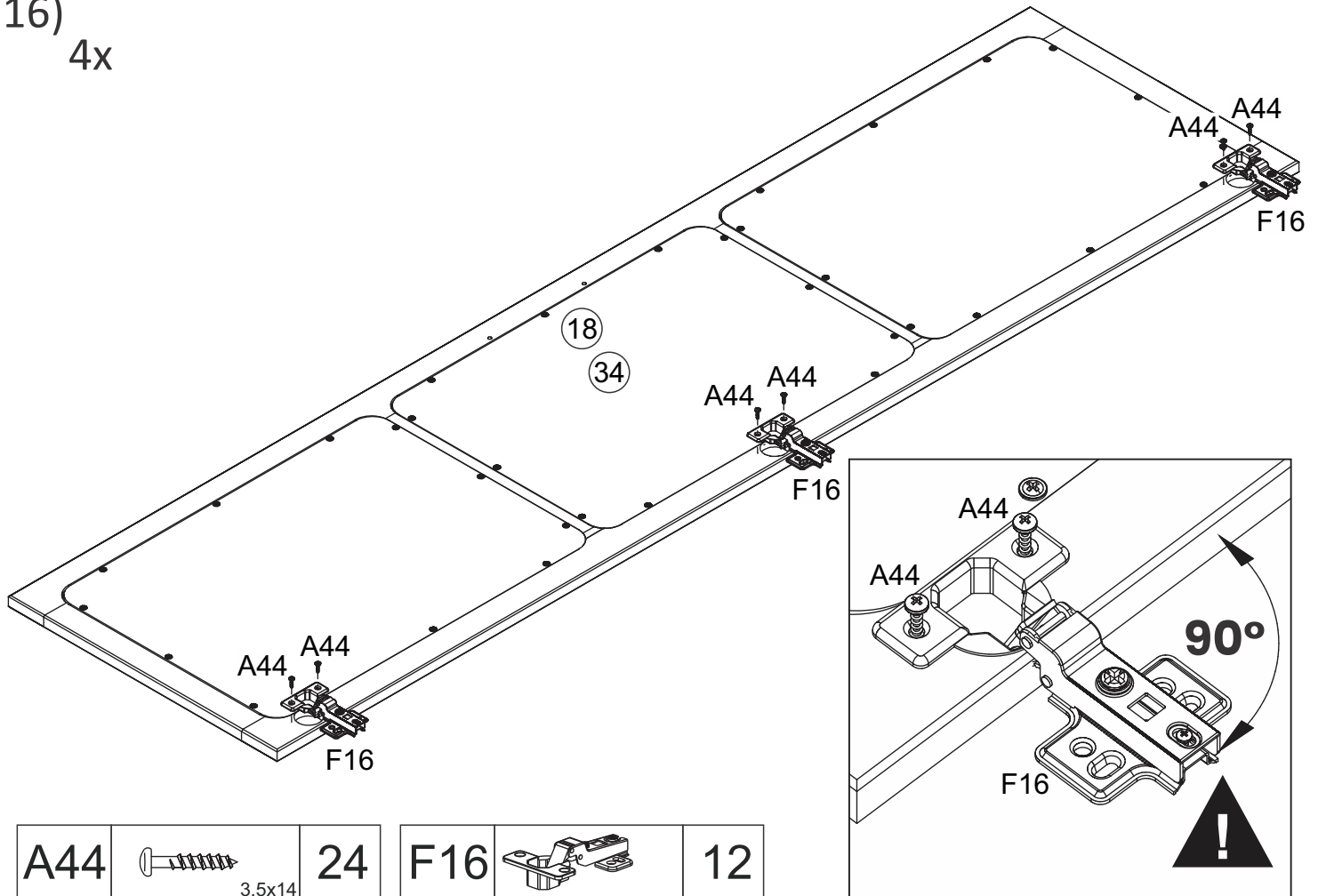
15)

If the hinge (F16) is detached, attach it to the hinge plate by aligning and pushing it in until it clicks securely into place.

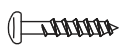


16)

4x



A44



3,5x14

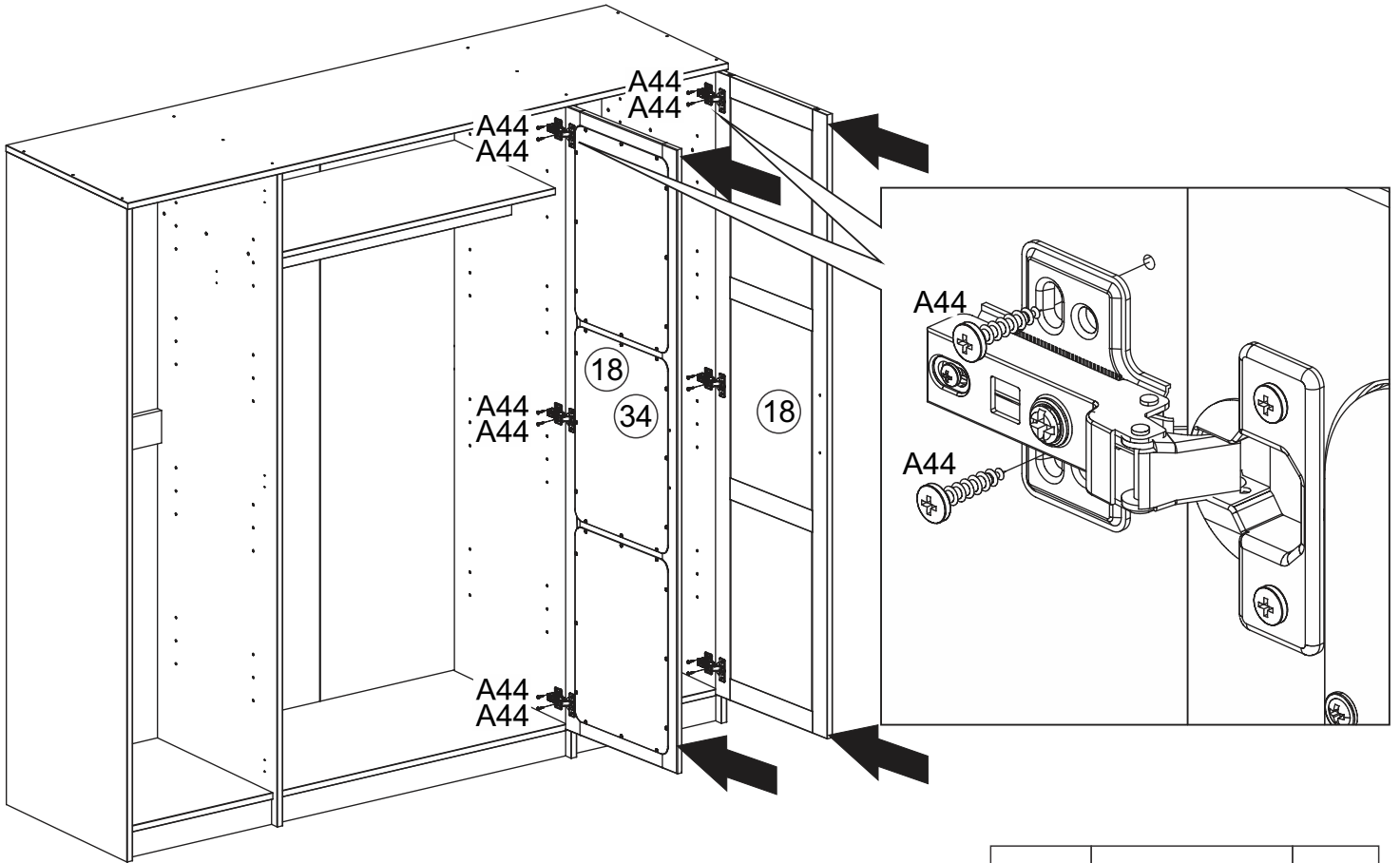
24

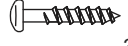
F16



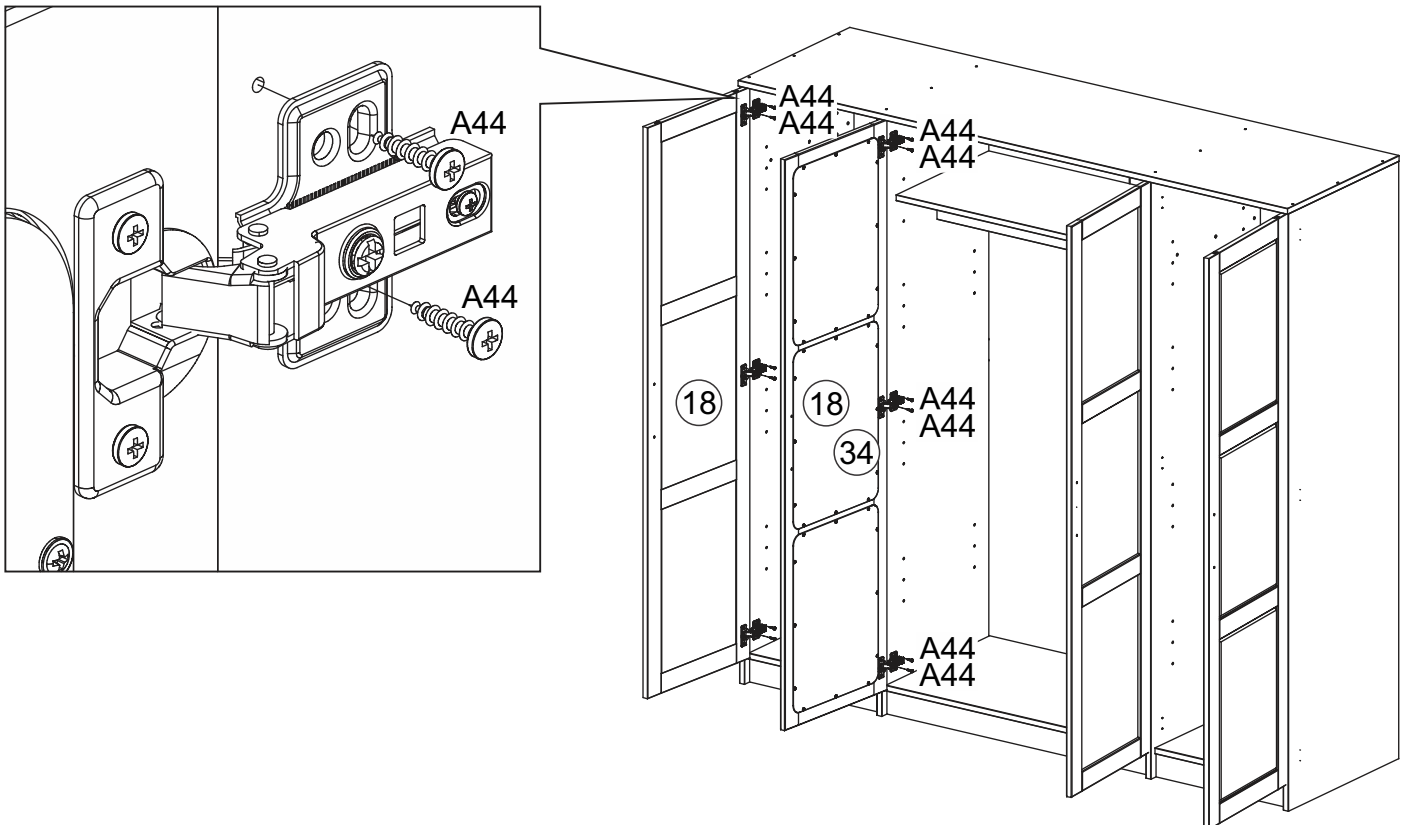
12

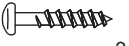
17)



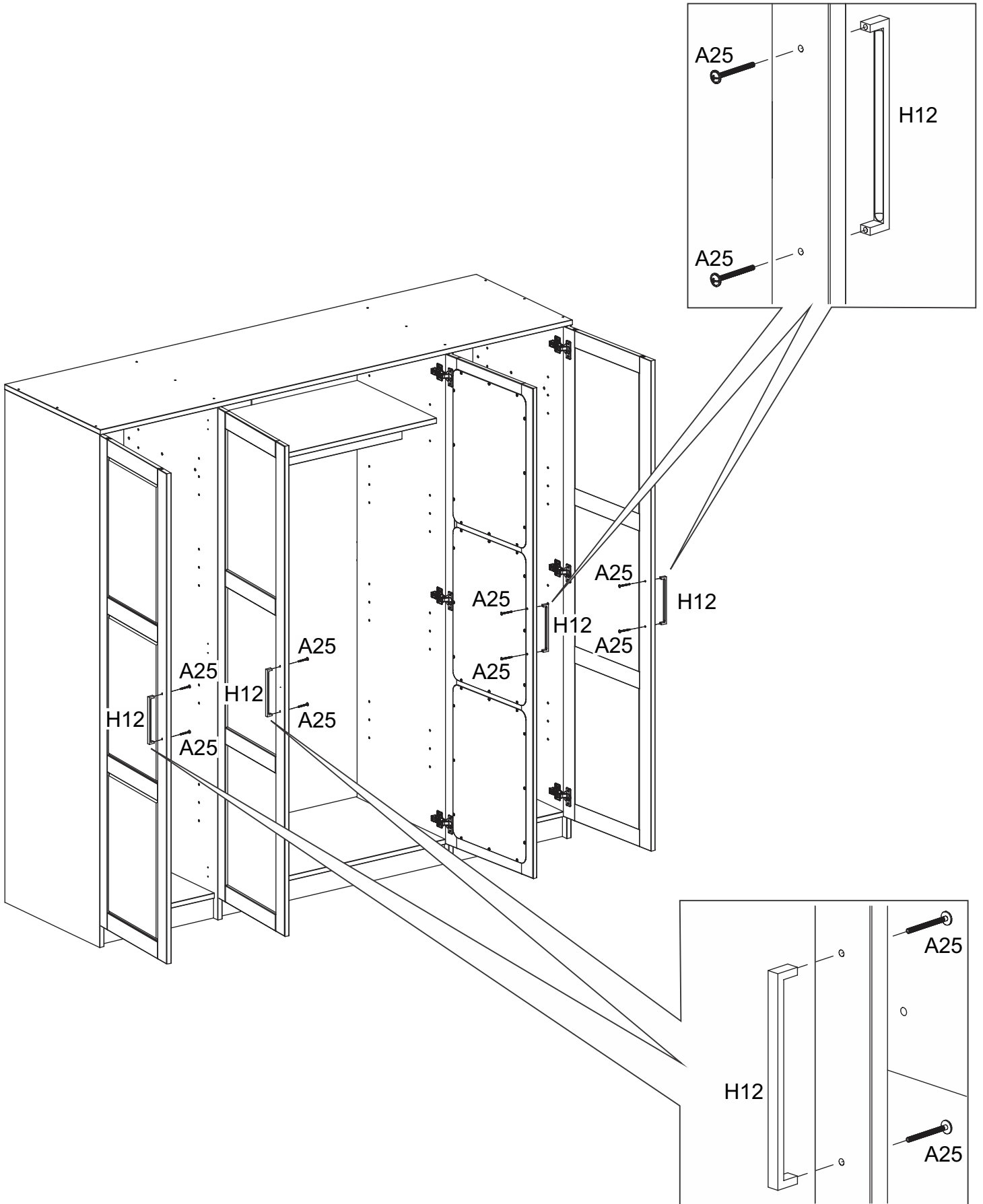
A44		12
	3,5x14	


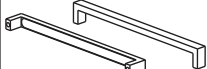
18)



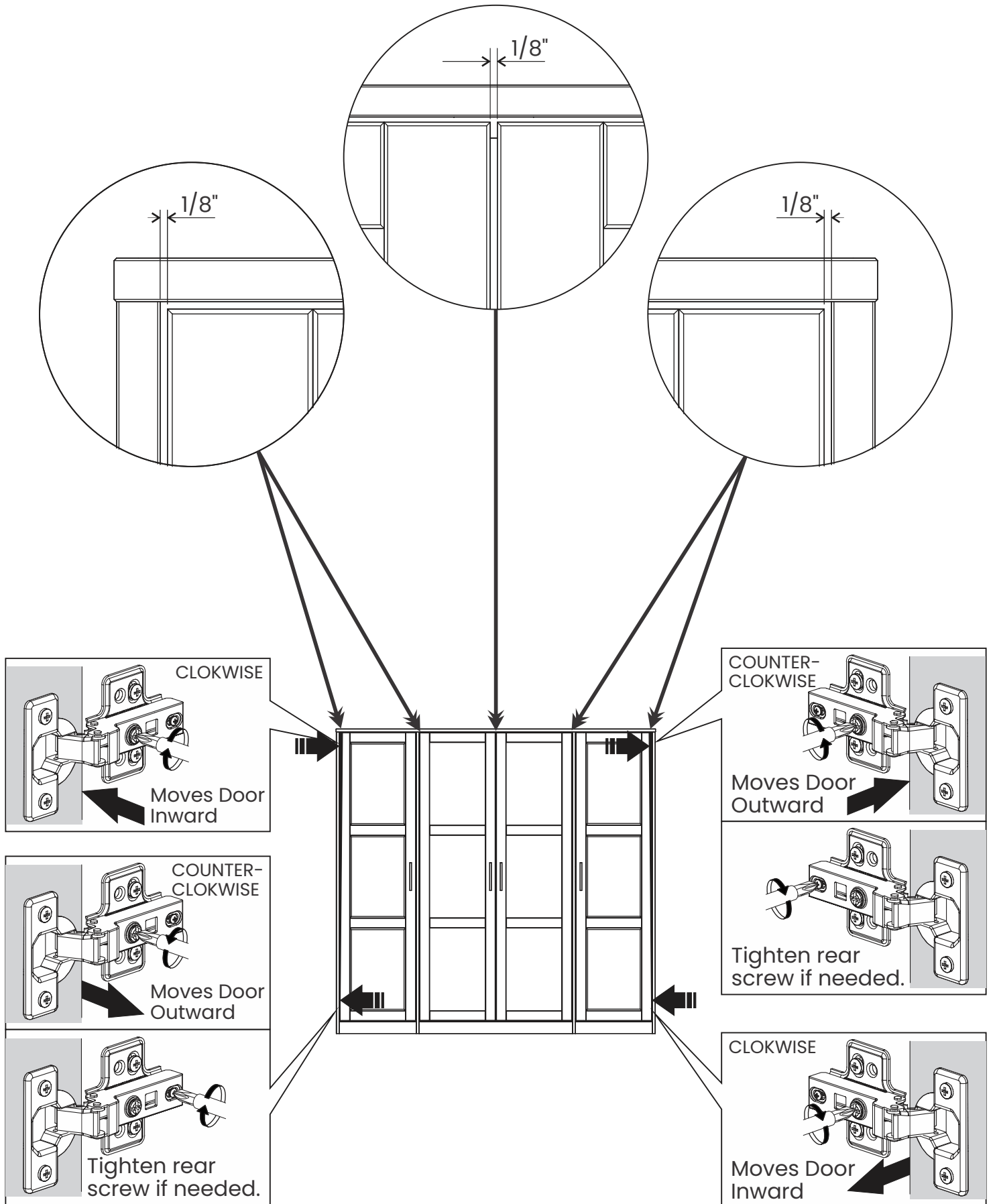
A44		12
	3,5x14	

19)

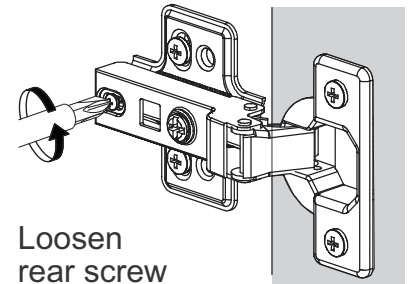
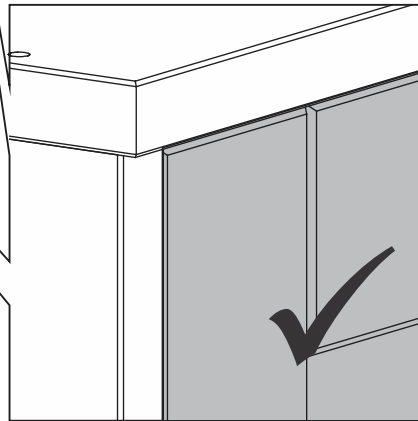
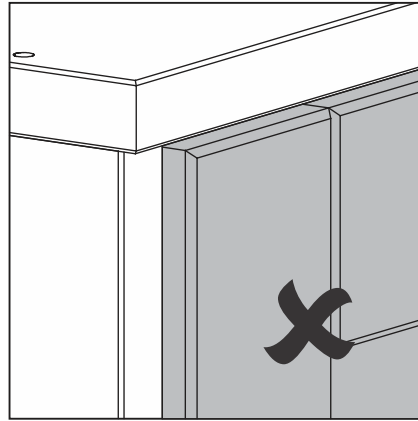
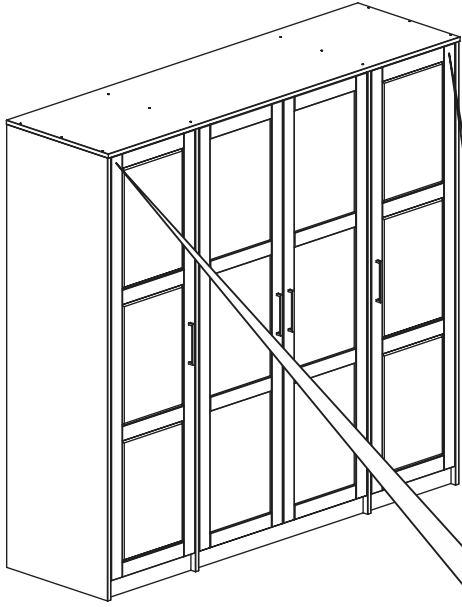


A25	 M4x25	08	H12		04
-----	--	----	-----	--	----

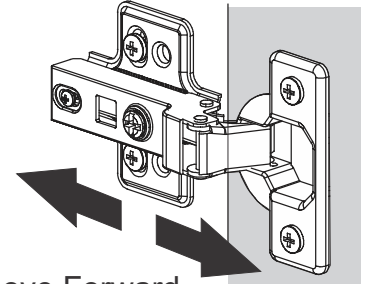
20) Align Crooked Doors



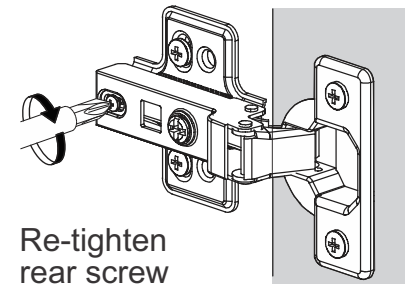
21) To align the doors with the sides of the wardrobe



Loosen rear screw

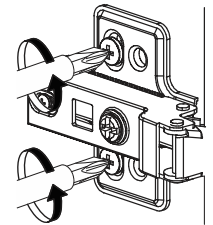
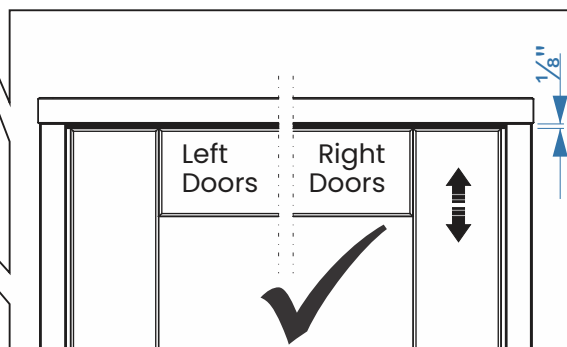
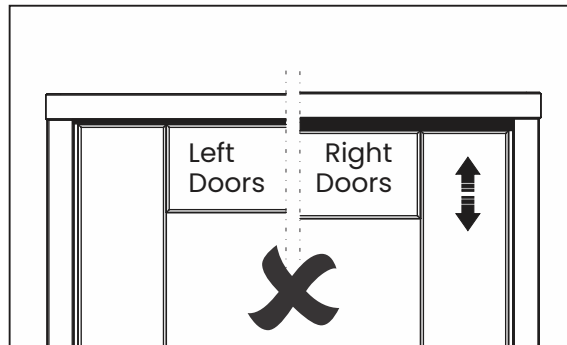
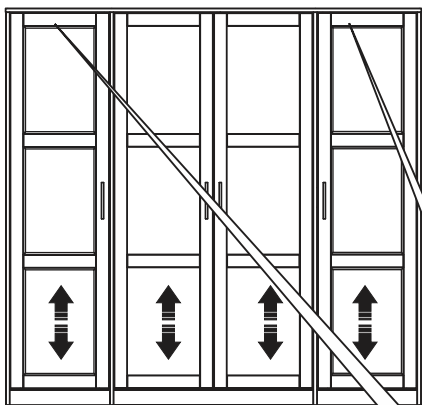


Move Forward or Backward

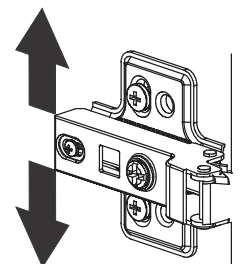


Re-tighten rear screw

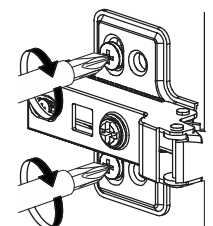
22) Adjusting the space between the door and the top.



Loosen top and bottom screw on all hinges.

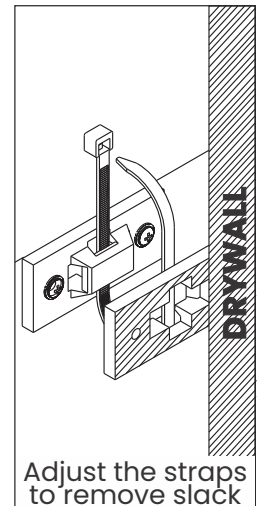
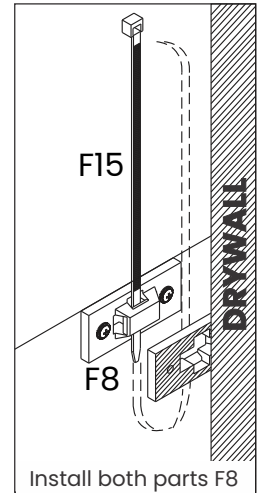
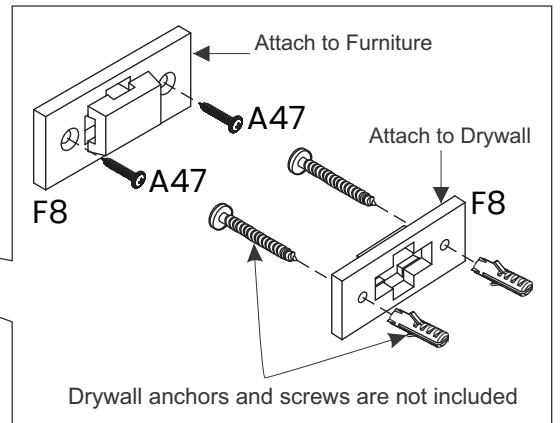
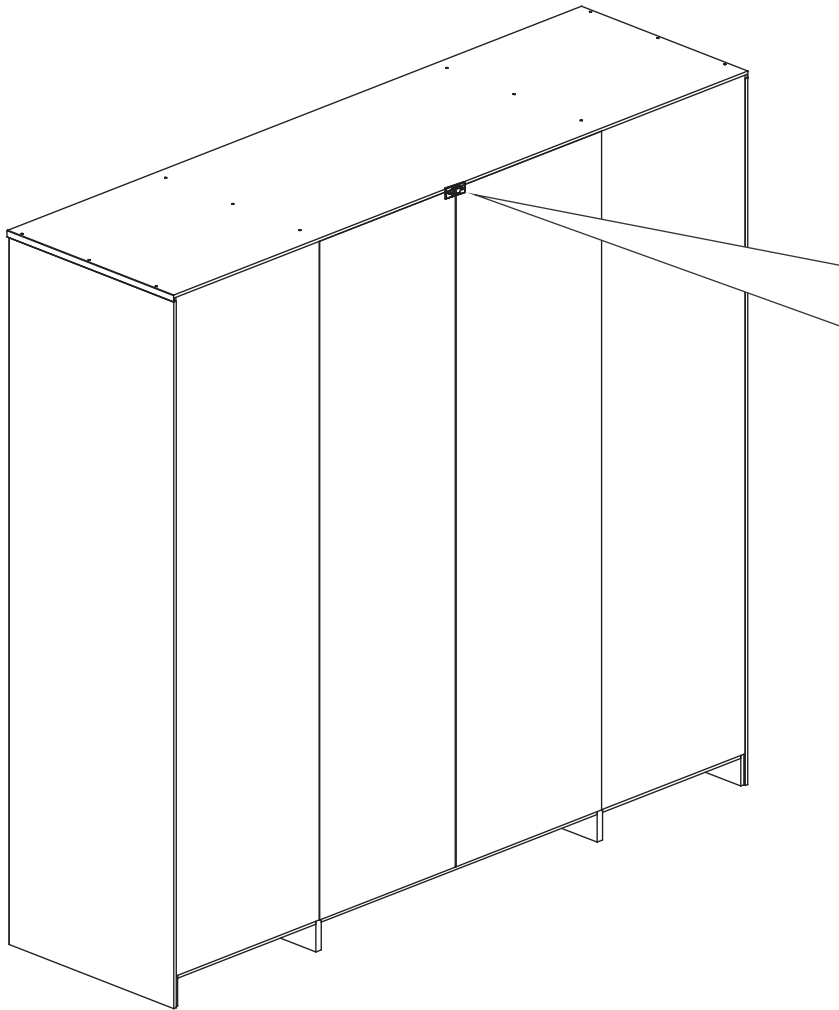
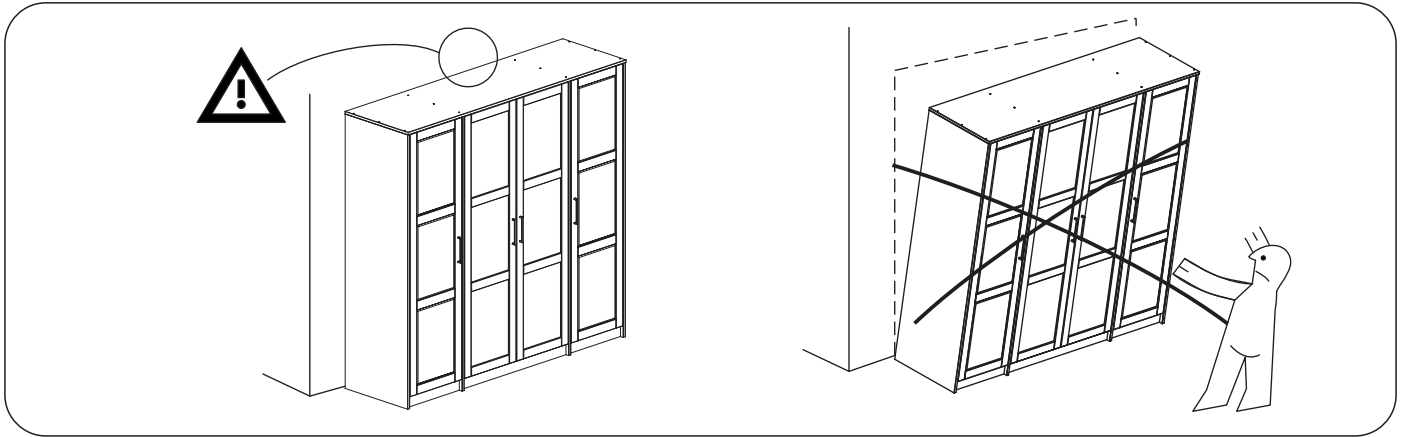



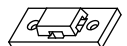

Adjust Height: Move Up or Down



Re-tighten screws on all hinges.

23) Tip-over Restraint Kit Installation



A47	 3,0x20	2
F8		2
F15		1