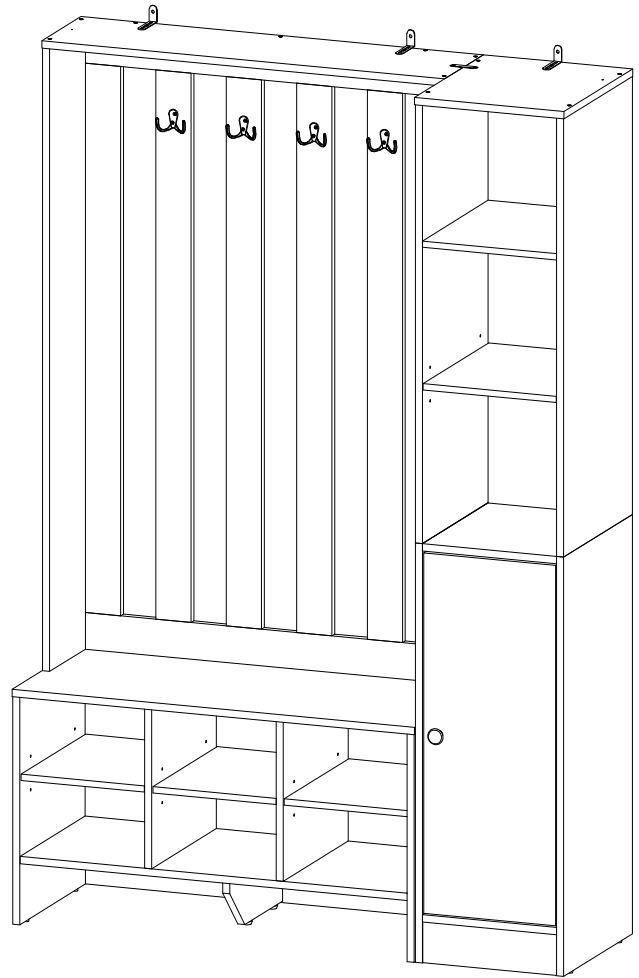


Option A



Option B

STORAGE CABINET

User Manual

INTRODUCTION

Thank you for choosing the Storage Cabinet. Please read this user manual carefully and keep it for future reference. If you need any assistance, please contact us by email with your order number and details.

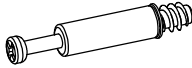

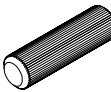
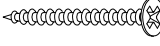
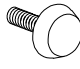
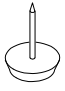


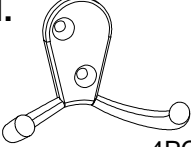
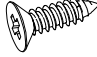
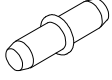
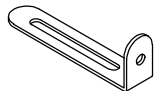
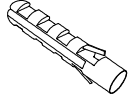
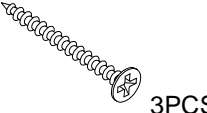
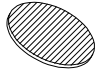

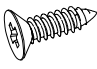
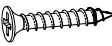
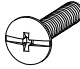

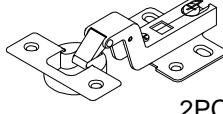
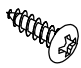
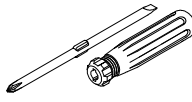
PACKAGE CONTENTS

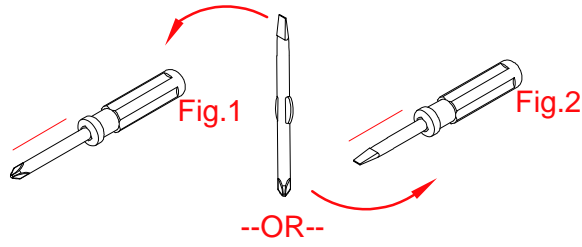
- 1 x Storage Cabinet
- 1 x Pack of Accessories
- 1 x User Manual

PRODUCT CARE

- Please follow the instruction to assemble this item correctly.
- Don't make the screws be too loose or too tight.
- Please put the screws into the holes' position just as shown in the arrows of the image, and then clockwise rotate 90° or 180°
- More product parts, it is recommended that two people install
- The fittings pack contains small accessories that should be kept away from small children.

HARDWARE SUPPLIED

<p>A. 6x35mm</p>  <p>73+2PCS</p>	<p>B. 15x9.8mm</p>  <p>73+2PCS</p>	<p>C. Ø6x30mm</p>  <p>72+2PCS</p>	<p>D. M4x40mm</p>  <p>22+2PCS</p>	<p>E. Ø14*6-M6*15mm</p>  <p>2PCS</p>
<p>F. Ø13.8*18*4mm</p>  <p>8+1PCS</p>	<p>G.</p> <p>G.1</p>  <p>G.2</p>  <p>27+2SETS</p>	<p>H.</p>  <p>4PCS</p>	<p>I. M3.5*14mm</p>  <p>8+2PCS</p>	<p>J. Ø5*7*17mm</p>  <p>20+2PCS</p>
<p>K.</p>  <p>3PCS</p>	<p>L. Ø8x6x35mm</p>  <p>3PCS</p>	<p>M. M4x35mm</p>  <p>3PCS</p>	<p>N. Ø21mm</p>  <p>73+2PCS</p>	<p>O. 54*12*1mm</p>  <p>4PCS</p>
<p>P. M3.5x14mm</p>  <p>20+2PCS</p>	<p>Q. M4x20mm</p>  <p>2PCS</p>	<p>R. M4x16mm</p>  <p>1PC</p>	<p>S.</p>  <p>1PC</p>	<p>T.</p>  <p>2PCS</p>
<p>U. M3.5*12mm</p>  <p>3PCS</p>	<p>V. 140mm</p>  <p>1PC</p>			



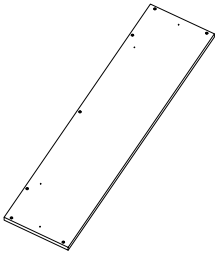
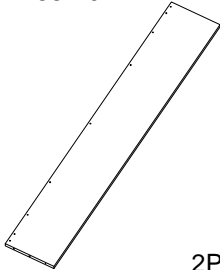
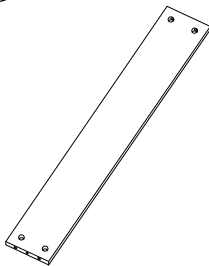
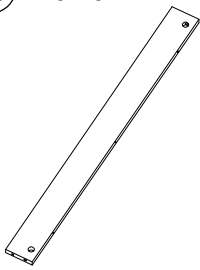
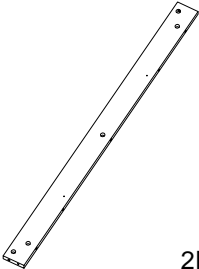
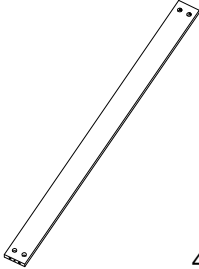
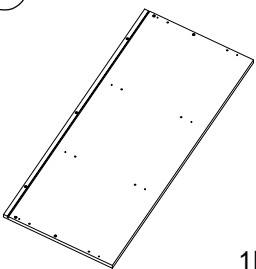
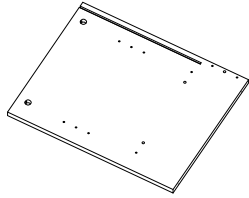
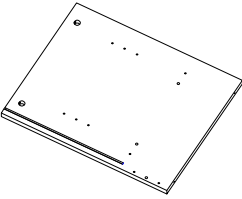
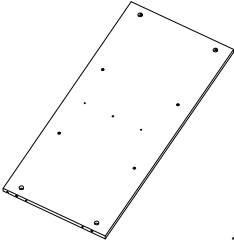
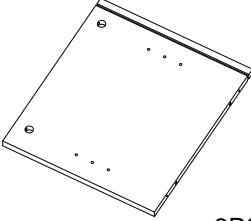
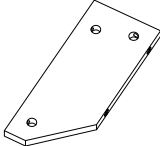
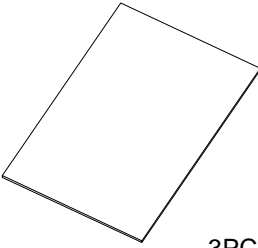
PARTS LIST

Unit: (mm)

<p>① 297*350*14</p> <p style="text-align: right;">1PC</p>	<p>② 836*349*14</p> <p style="text-align: right;">1PC</p>	<p>③ 836*349*14</p> <p style="text-align: right;">1PC</p>	<p>④ 267*334*12</p> <p style="text-align: right;">1PC</p>
<p>⑤ 265*334*12</p> <p style="text-align: right;">1PC</p>	<p>⑥ 267*348*14</p> <p style="text-align: right;">1PC</p>	<p>⑦ 800*349*14</p> <p style="text-align: right;">1PC</p>	<p>⑧ 800*349*14</p> <p style="text-align: right;">1PC</p>
<p>⑨ 267*348*14</p> <p style="text-align: right;">1PC</p>	<p>⑩ 688*262*14</p> <p style="text-align: right;">1PC</p>	<p>⑪ 267*318*12</p> <p style="text-align: right;">1PC</p>	<p>⑫ 265*318*12</p> <p style="text-align: right;">1PC</p>
<p>⑬ 267*78*14</p> <p style="text-align: right;">2PCS</p>	<p>⑭ 701*275*2.4</p> <p style="text-align: right;">1PC</p>	<p>⑮ 844*275*2.4</p> <p style="text-align: right;">1PC</p>	<p>⑯ 245*326*12</p> <p style="text-align: right;">3PCS</p>

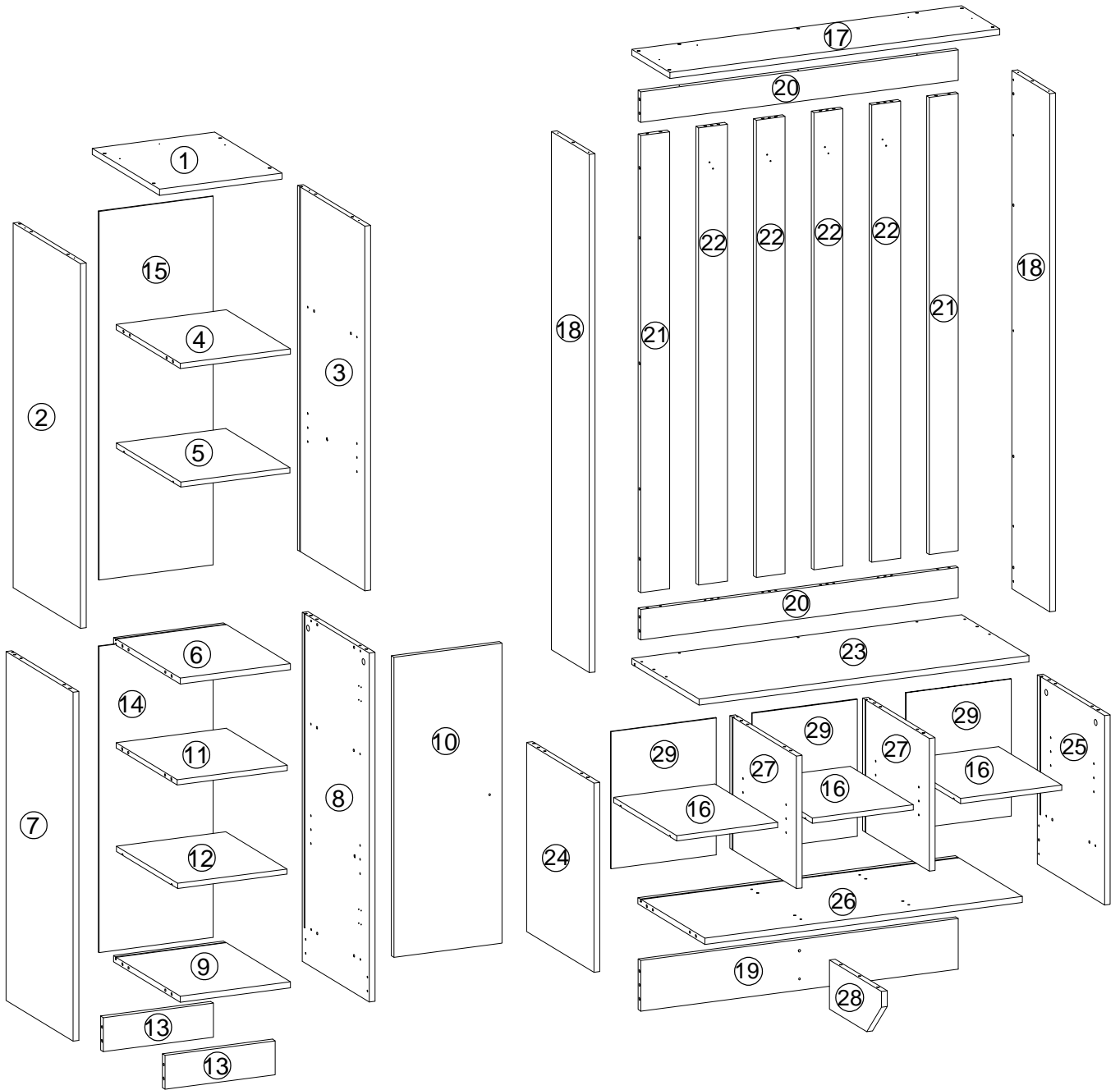
PARTS LIST

Unit: (mm)


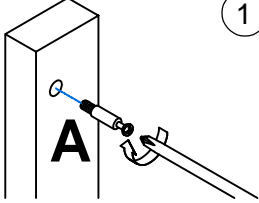
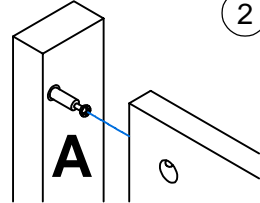
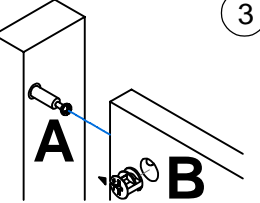
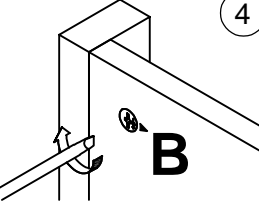
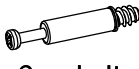
<p>①⑦ 800*198*14</p>  <p>1PC</p>	<p>①⑧ 1188*197*14</p>  <p>2PCS</p>	<p>①⑨ 770*116*14</p>  <p>1PC</p>	<p>②⑩ 770*70*14</p>  <p>2PCS</p>
<p>②① 1048*70*14</p>  <p>2PCS</p>	<p>②② 1048*70*14</p>  <p>4PCS</p>	<p>②③ 800*350*14</p>  <p>1PC</p>	<p>②④ 434*349*14</p>  <p>1PC</p>
<p>②⑤ 434*349*14</p>  <p>1PC</p>	<p>②⑥ 770*348*14</p>  <p>1PC</p>	<p>②⑦ 304*347*14</p>  <p>2PCS</p>	<p>②⑧ 111*270*14</p>  <p>1PC</p>
<p>②⑨ 313*255*2.4</p>  <p>3PCS</p>			

PANEL LAYOUT

Top



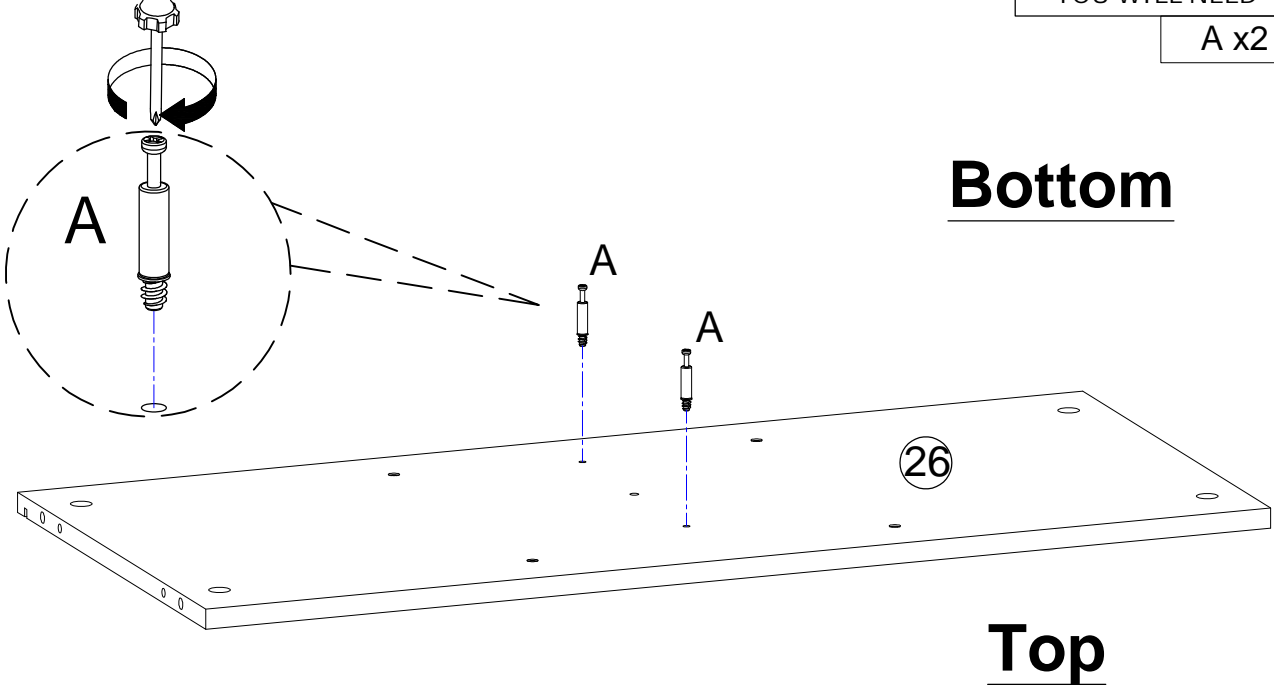
Bottom

<p>HOW TO</p>  <p>Cam lock</p>	<p>1</p> 	<p>2</p> 	<p>3</p> 	<p>4</p> 
 <p>Cam bolt</p>	<p>1. Screw Cam Bolt into panel</p>	<p>2. Insert Cam Bolt into bolt hole of joining panel.</p>	<p>3. Insert Cam Lock with arrow facing bolt.</p>	<p>4. Gently turn Cam Lock 180° clockwise to lock into position.</p>

1

YOU WILL NEED

A x2



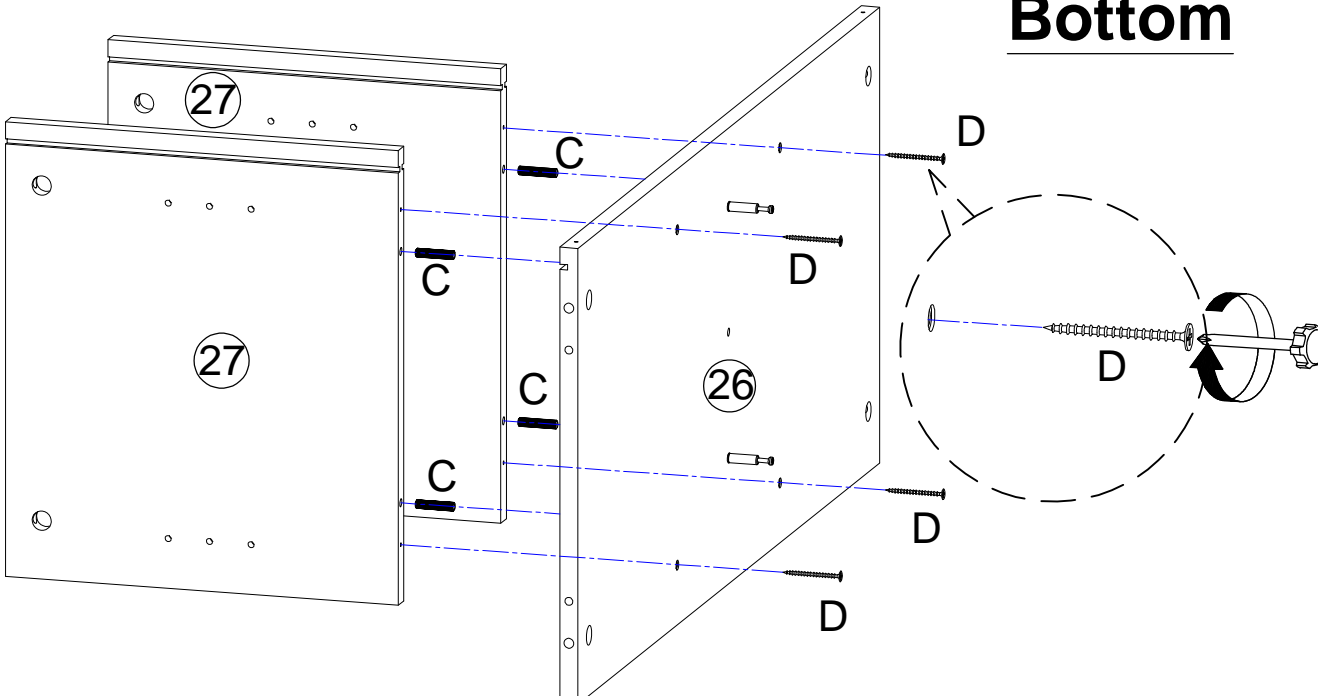
Bottom

Top

2


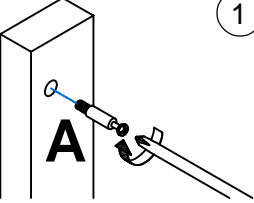
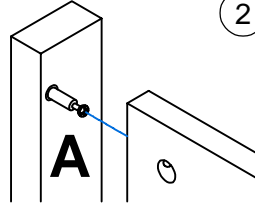
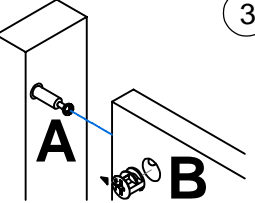
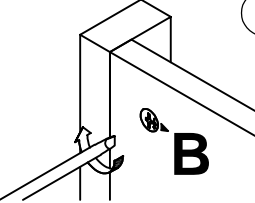
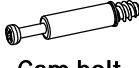
YOU WILL NEED

C x4 D x4



Top

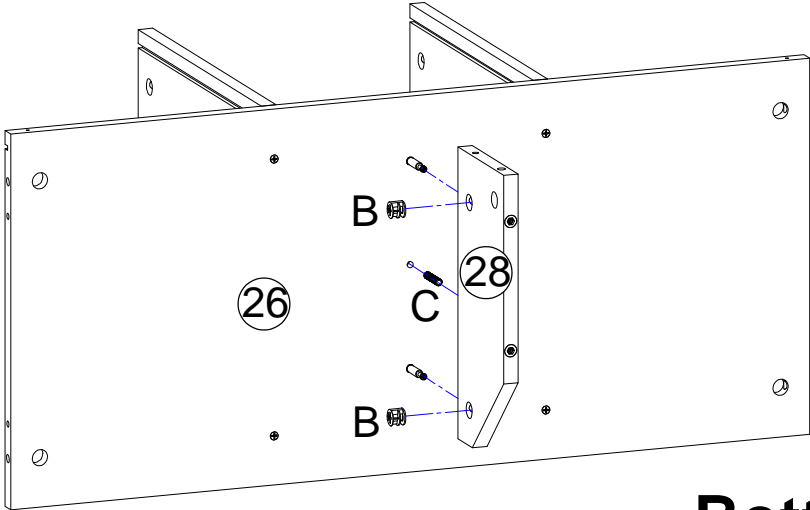
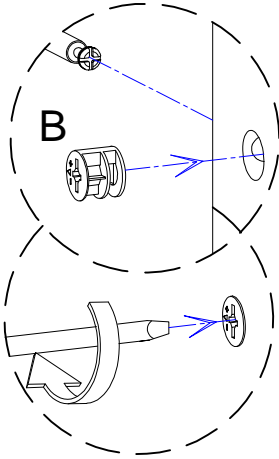
Bottom

<p>HOW TO</p>  <p>Cam lock</p>	<p>1</p> 	<p>2</p> 	<p>3</p> 	<p>4</p> 
 <p>Cam bolt</p>	<p>1. Screw Cam Bolt into panel</p>	<p>2. Insert Cam Bolt into bolt hole of joining panel.</p>	<p>3. Insert Cam Lock with arrow facing bolt.</p>	<p>4. Gently turn Cam Lock 180° clockwise to lock into position.</p>

3

Top

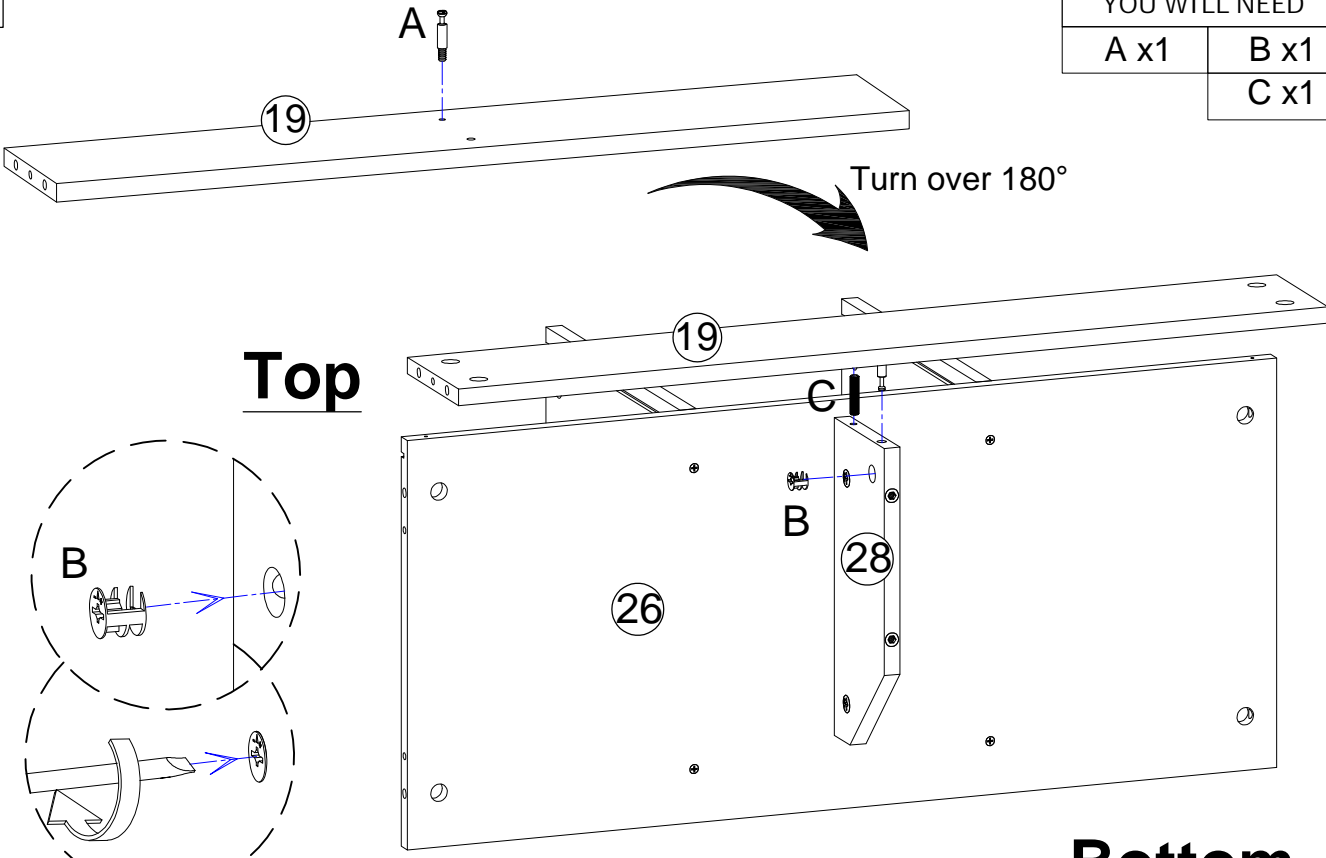
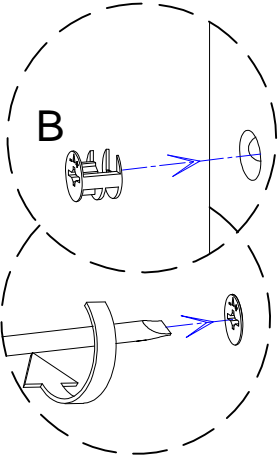
YOU WILL NEED	
B x2	C x1

Bottom


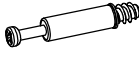
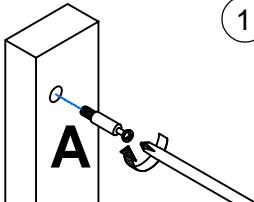
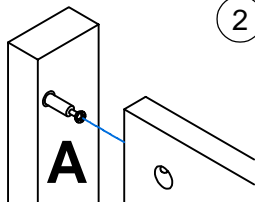
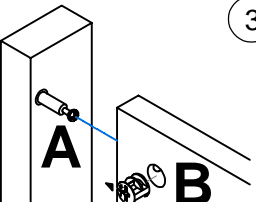
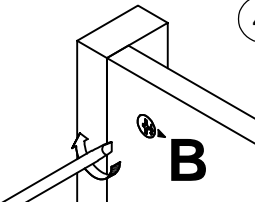
4

YOU WILL NEED	
A x1	B x1
	C x1

Top

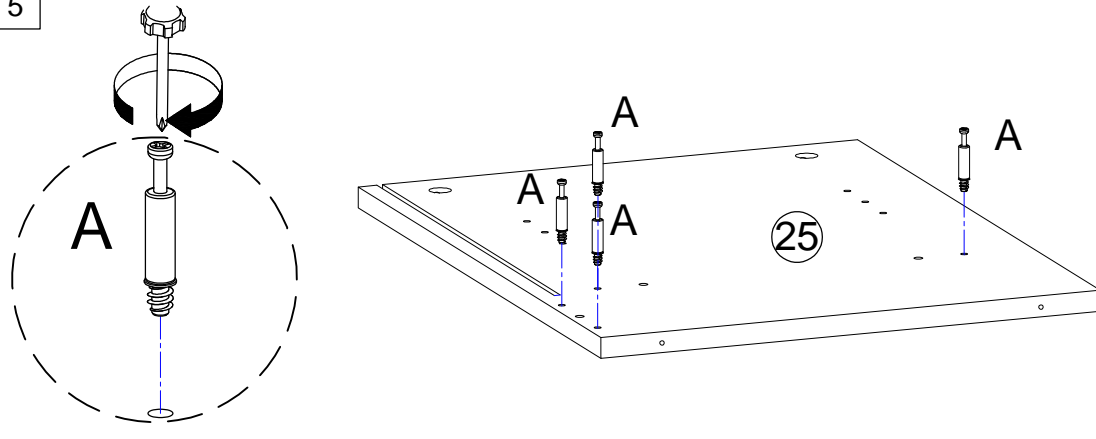
Bottom

<p>HOW TO</p>  <p>Cam lock</p>  <p>Cam bolt</p>	<p>1</p> 	<p>2</p> 	<p>3</p> 	<p>4</p> 
	<p>1. Screw Cam Bolt into panel</p>	<p>2. Insert Cam Bolt into bolt hole of joining panel.</p>	<p>3. Insert Cam Lock with arrow facing bolt.</p>	<p>4. Gently turn Cam Lock 180° clockwise to lock into position.</p>

5

YOU WILL NEED

A x4

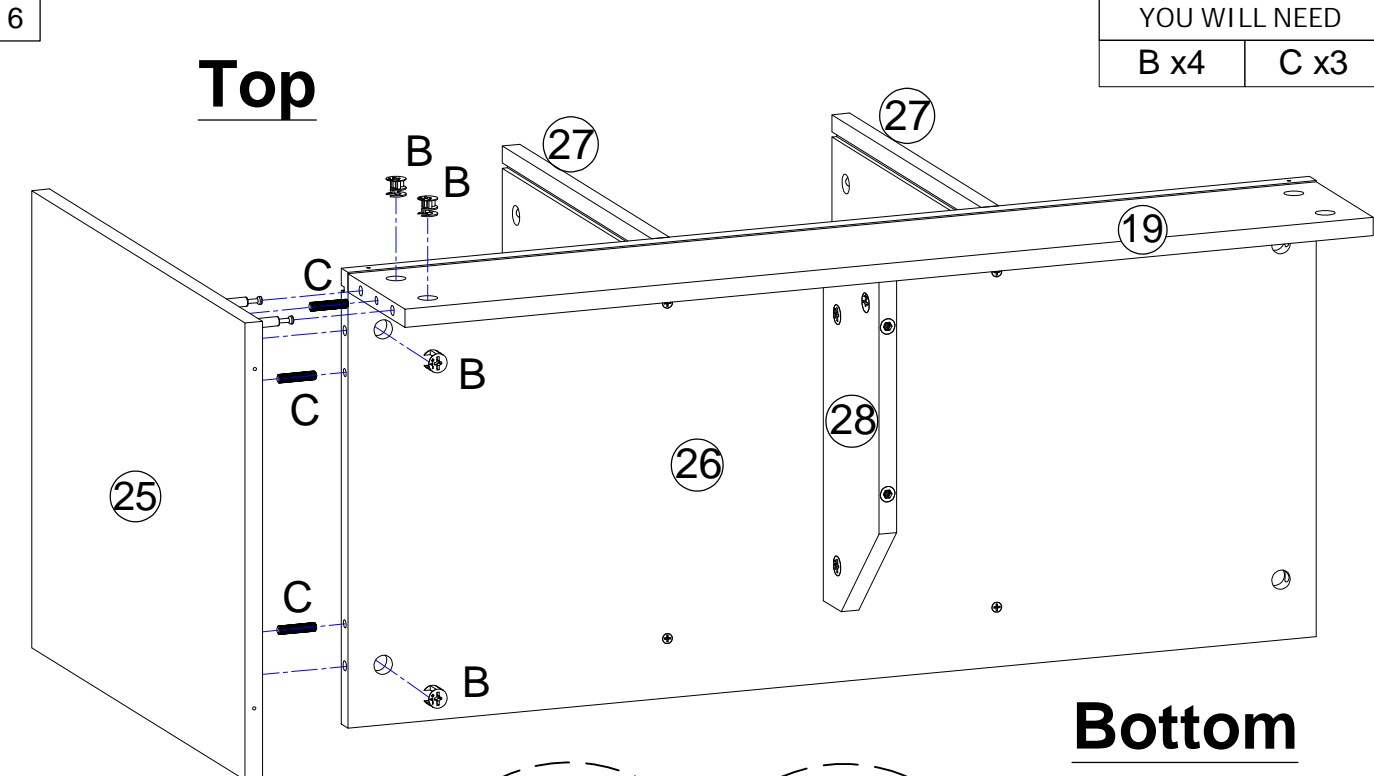


6

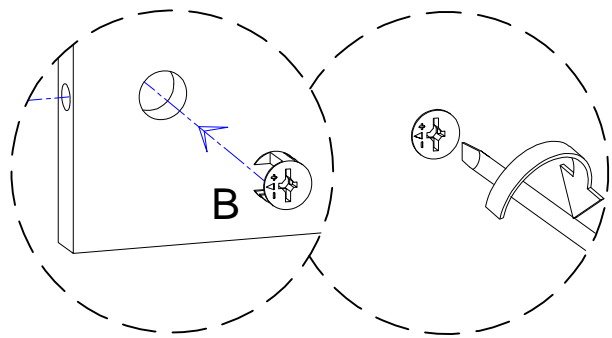
YOU WILL NEED

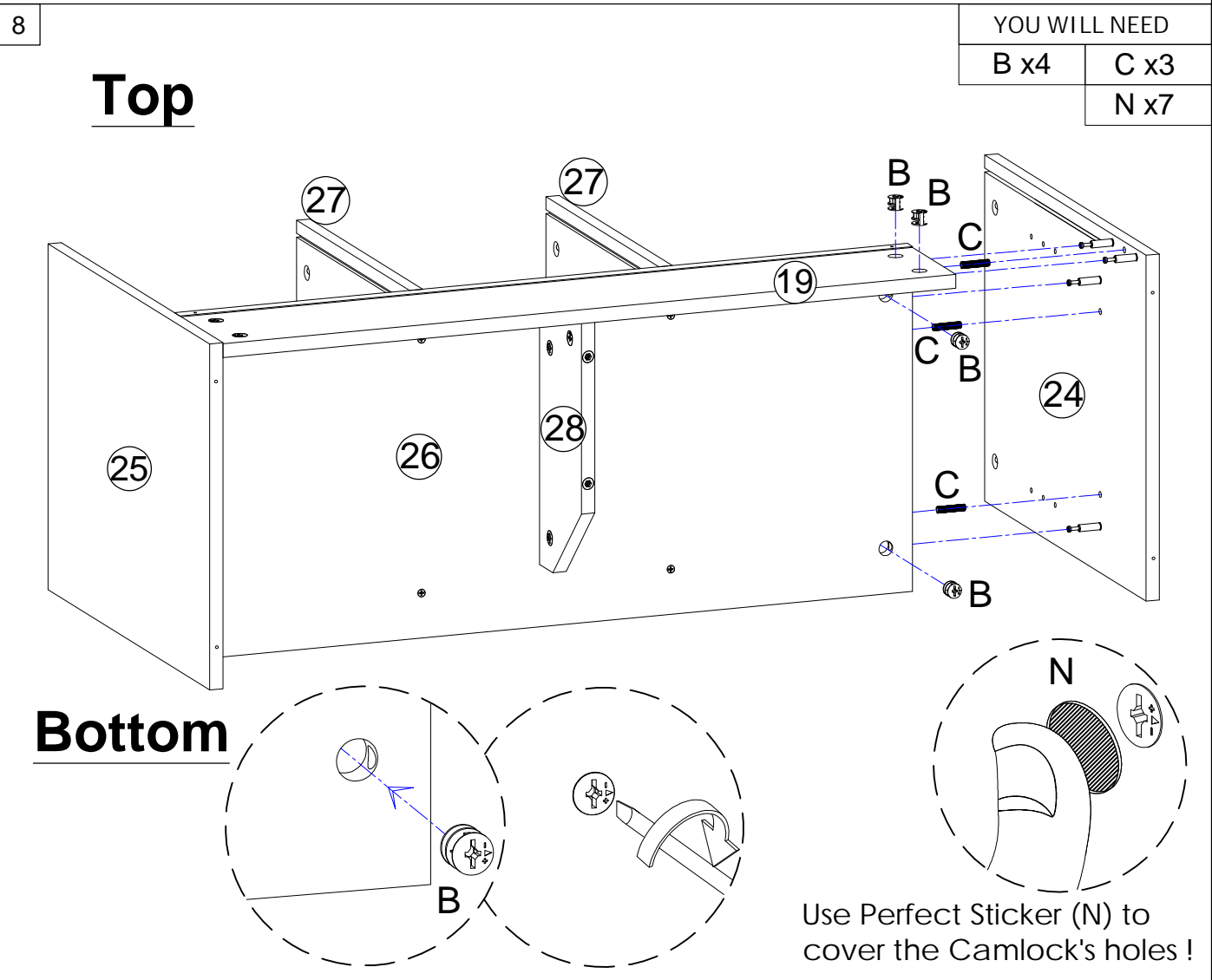
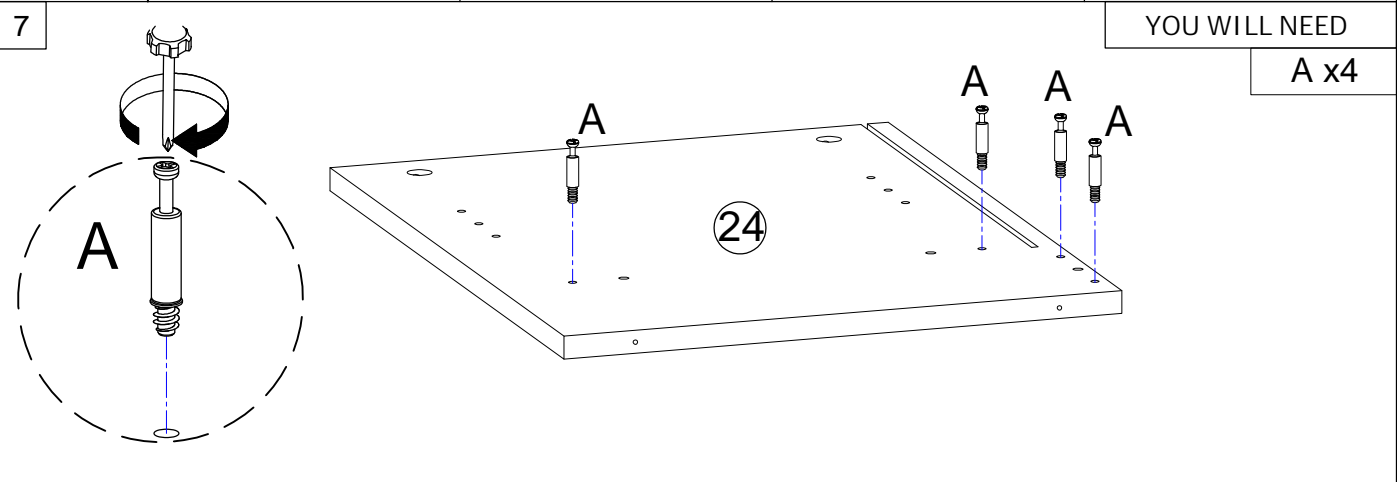
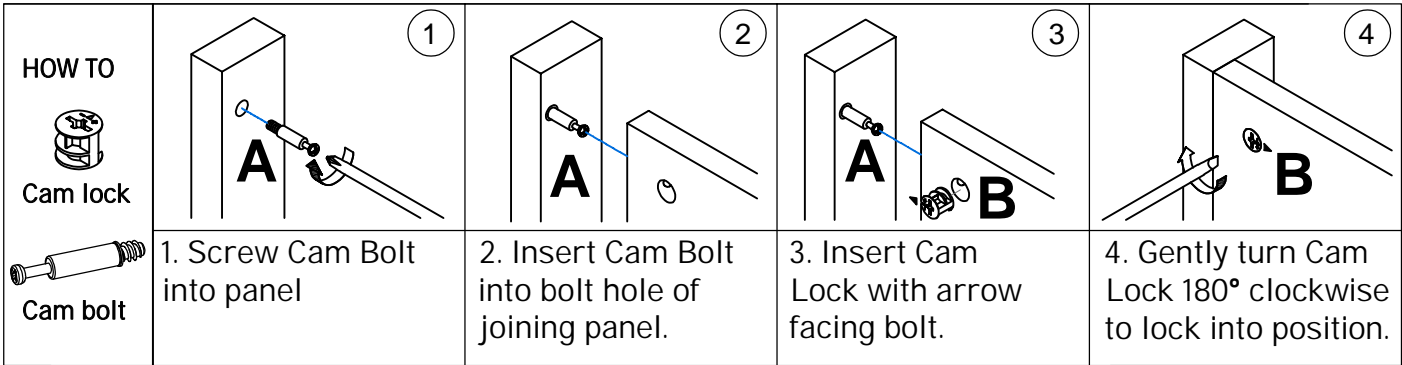
B x4	C x3
------	------

Top



Bottom





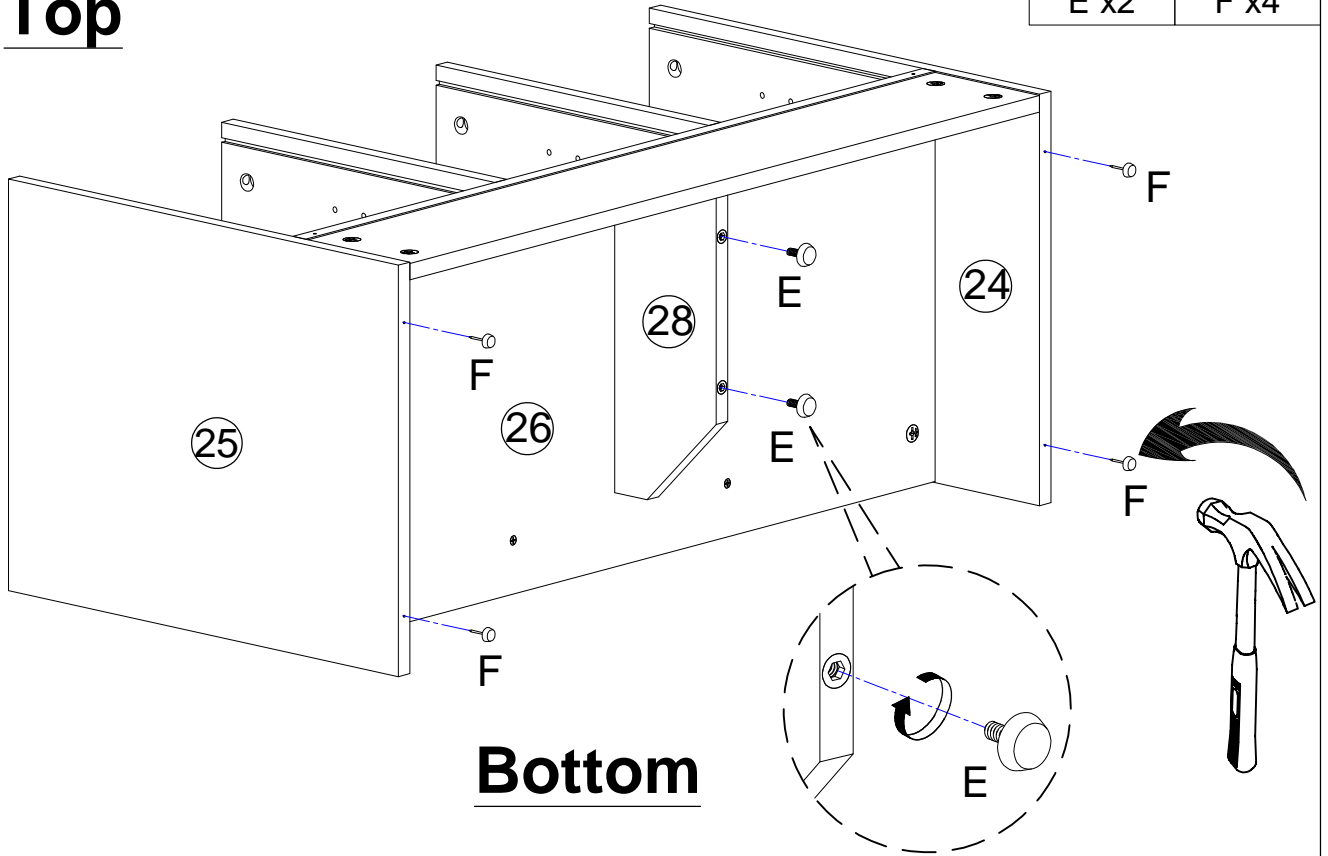
9

Top

YOU WILL NEED

E x2

F x4

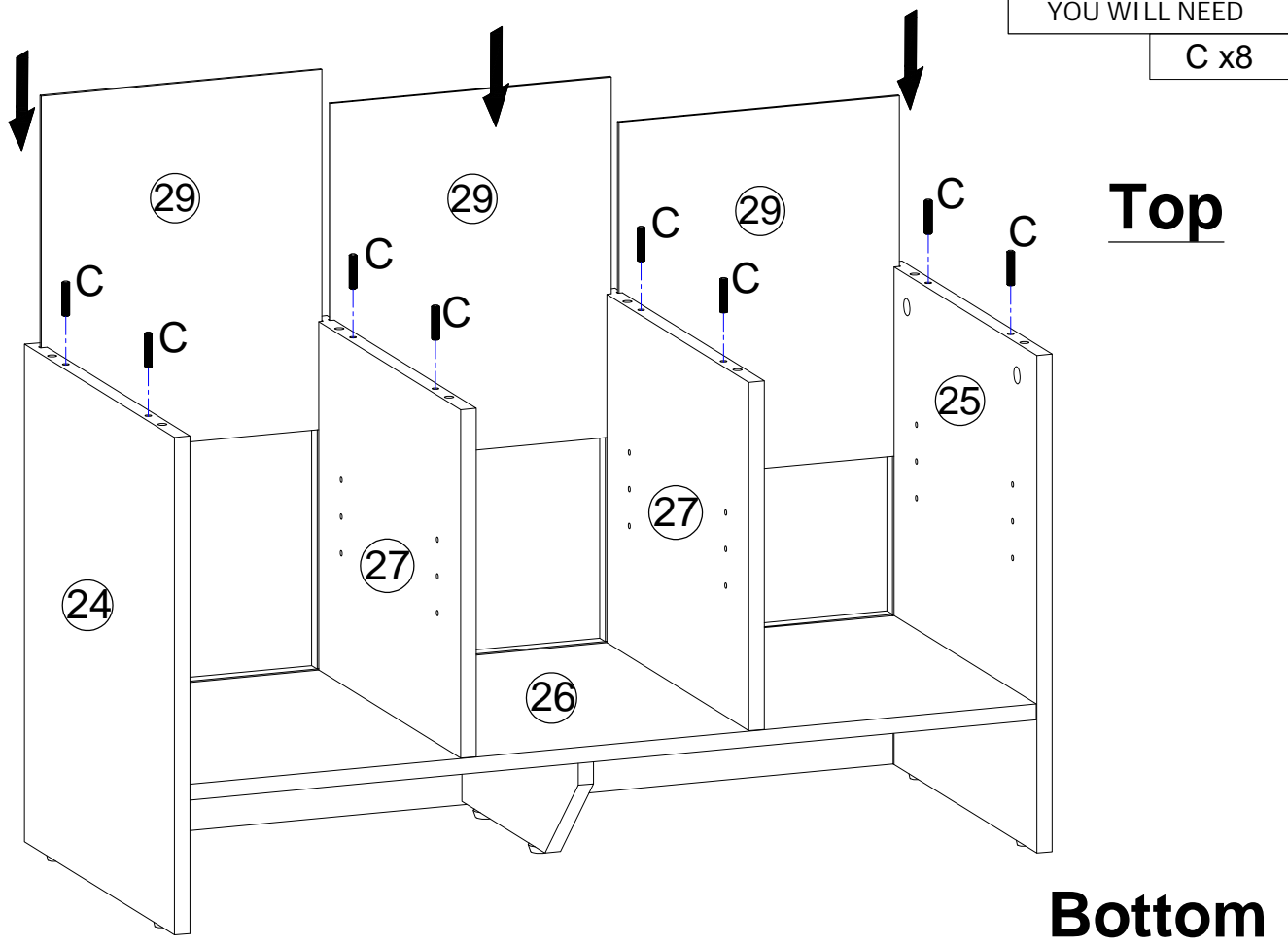


Bottom

10

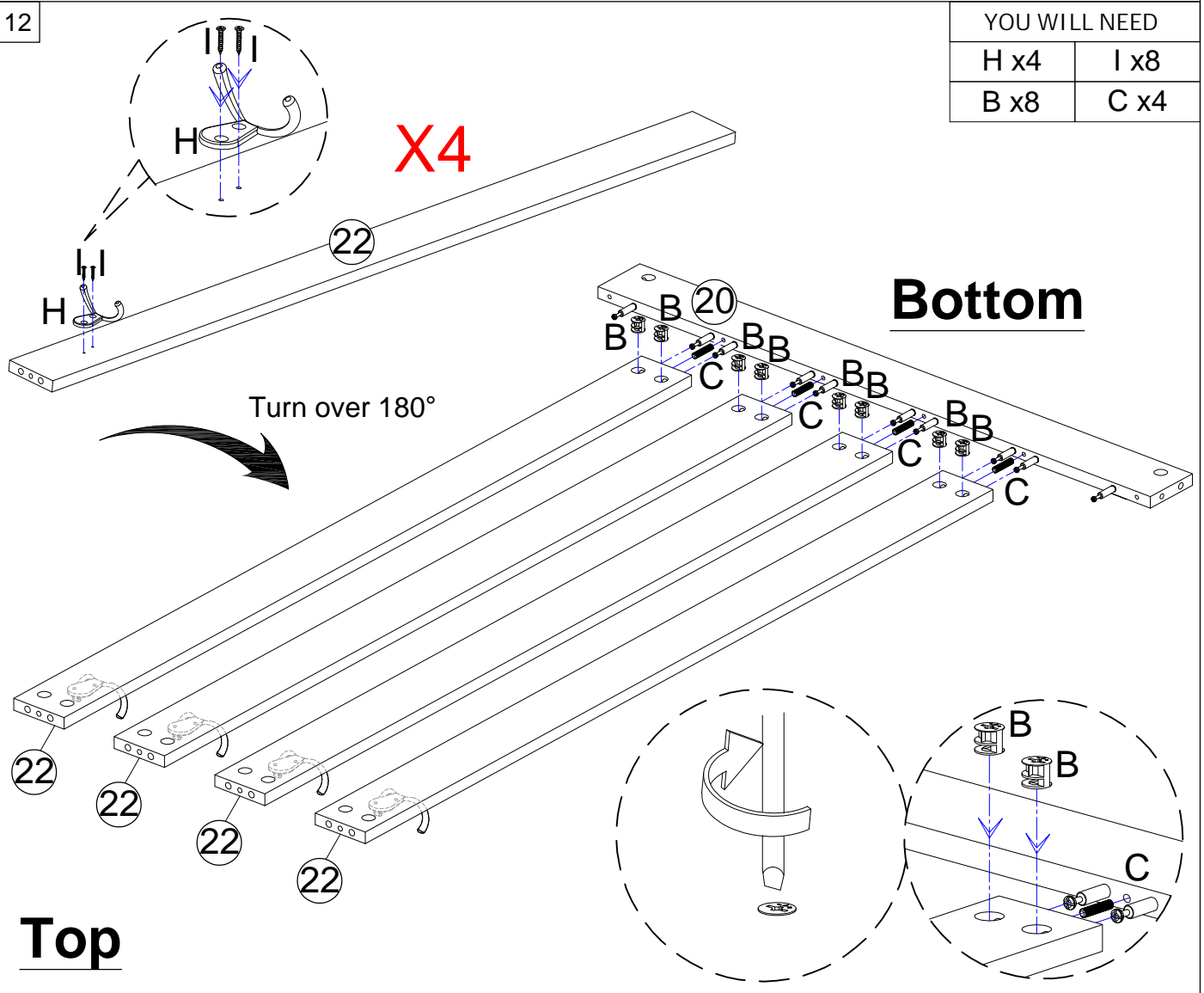
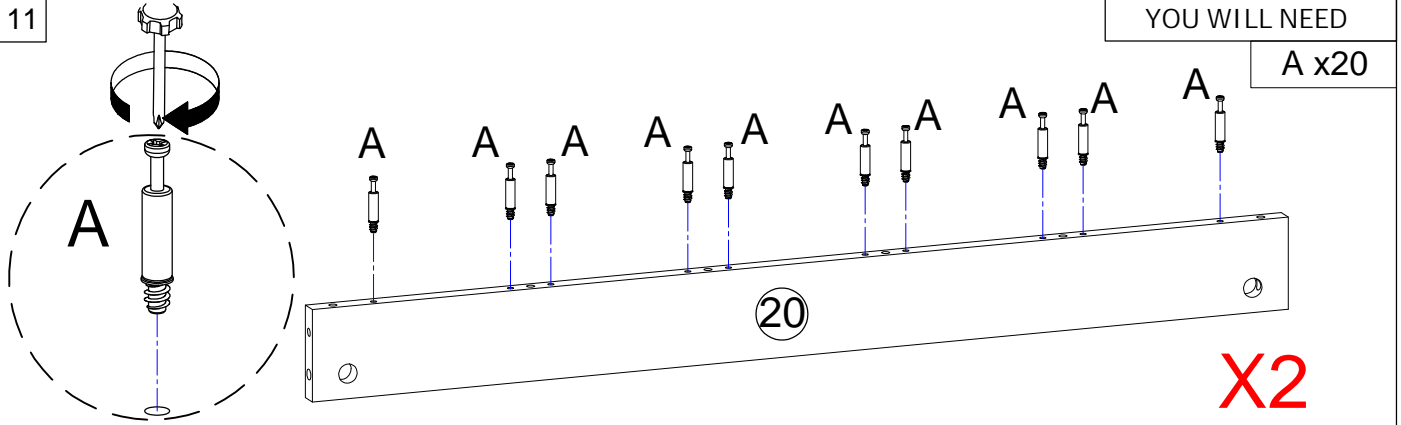
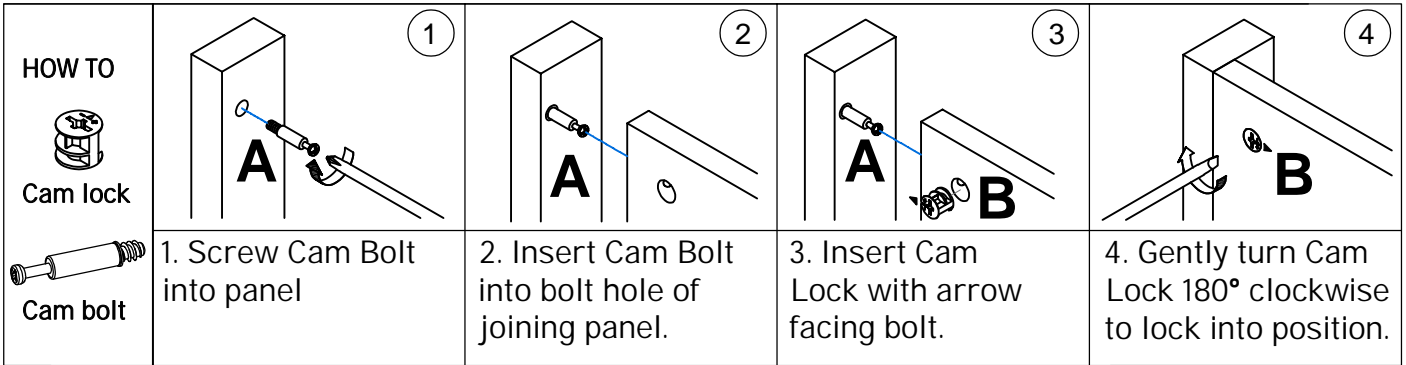
YOU WILL NEED


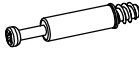
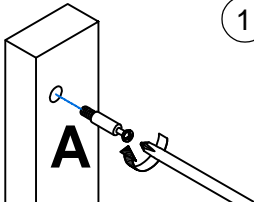
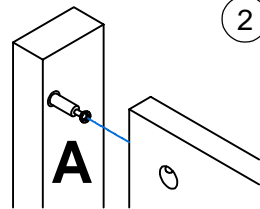
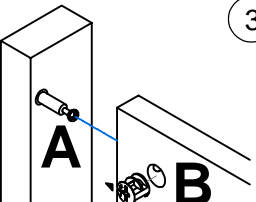
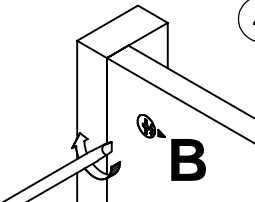
C x8



Top

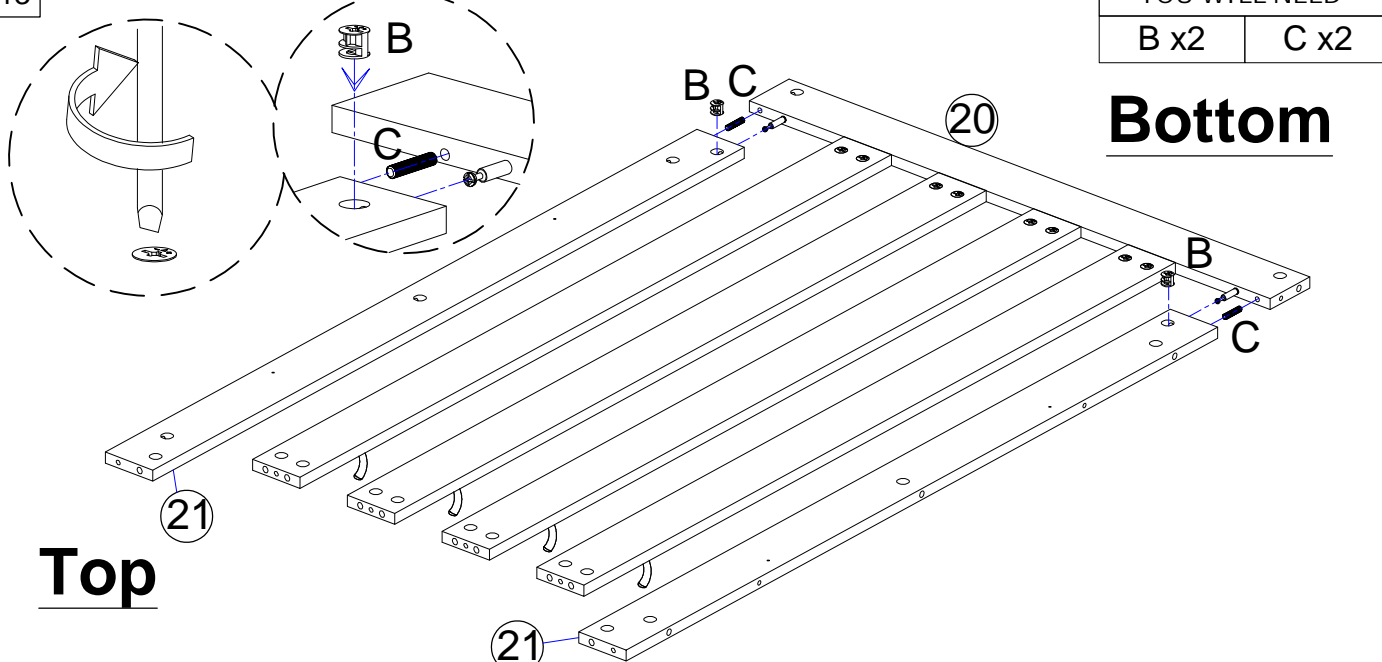
Bottom



<p>HOW TO</p>  <p>Cam lock</p>  <p>Cam bolt</p>	<p>1</p>  <p>A</p>	<p>2</p>  <p>A</p>	<p>3</p>  <p>A B</p>	<p>4</p>  <p>B</p>
	<p>1. Screw Cam Bolt into panel</p>	<p>2. Insert Cam Bolt into bolt hole of joining panel.</p>	<p>3. Insert Cam Lock with arrow facing bolt.</p>	<p>4. Gently turn Cam Lock 180° clockwise to lock into position.</p>

13

YOU WILL NEED	
B x2	C x2

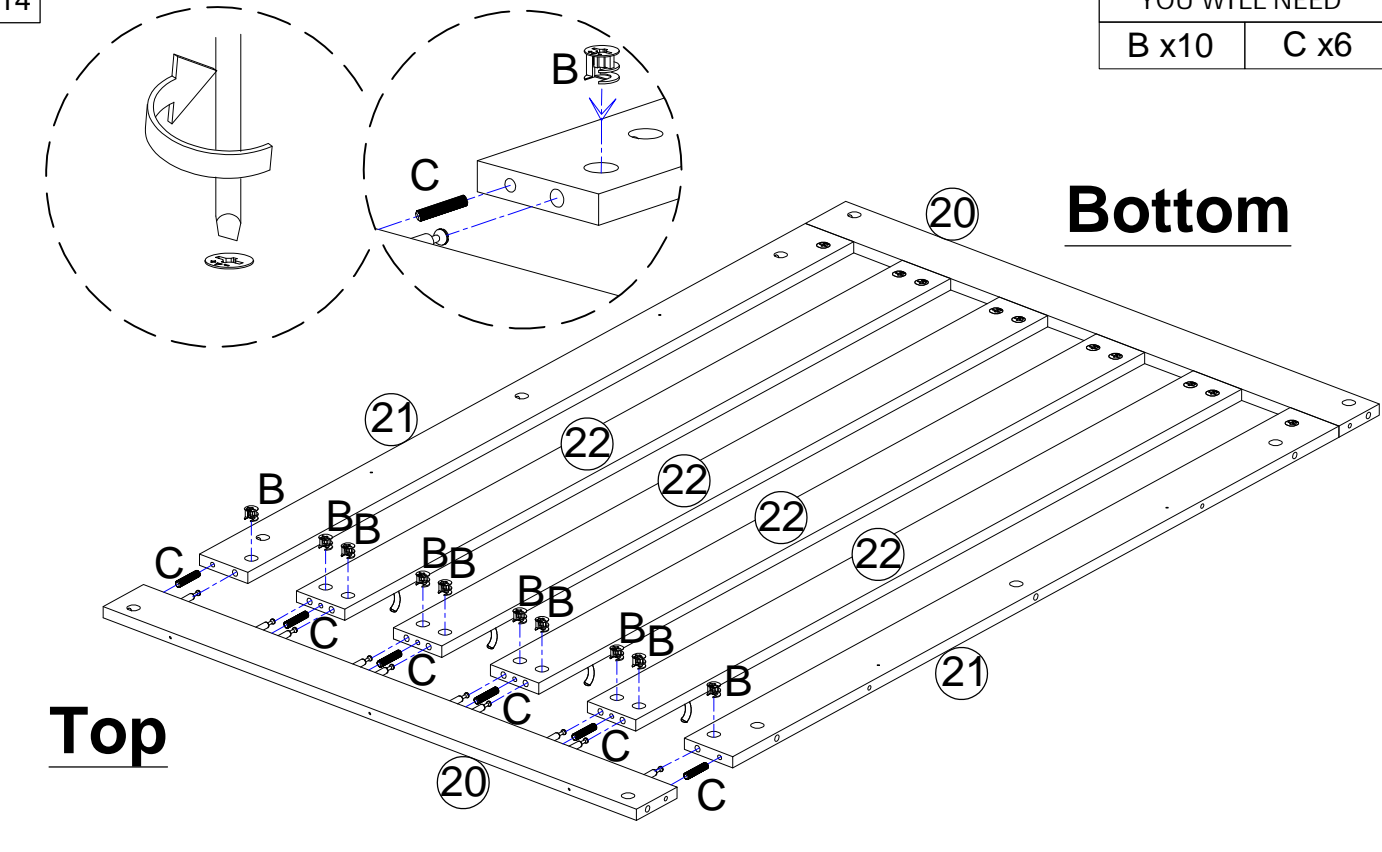


Bottom

Top


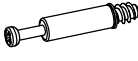
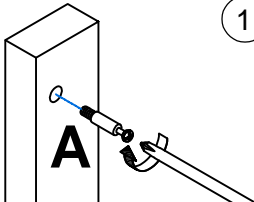
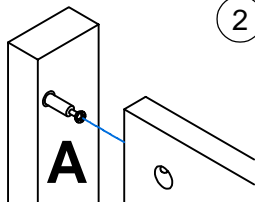
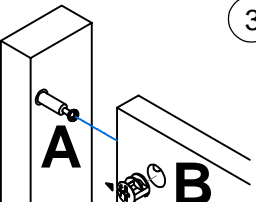
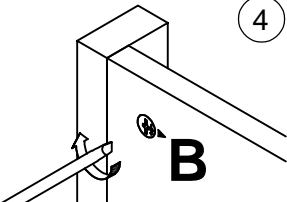
14

YOU WILL NEED	
B x10	C x6

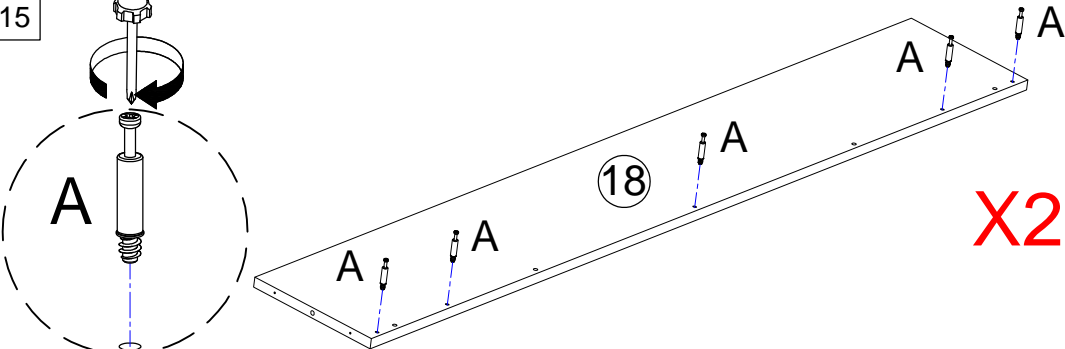


Bottom

Top

<p>HOW TO</p>  <p>Cam lock</p>  <p>Cam bolt</p>	<p>1</p> 	<p>2</p> 	<p>3</p> 	<p>4</p> 
	<p>1. Screw Cam Bolt into panel</p>	<p>2. Insert Cam Bolt into bolt hole of joining panel.</p>	<p>3. Insert Cam Lock with arrow facing bolt.</p>	<p>4. Gently turn Cam Lock 180° clockwise to lock into position.</p>

15



A

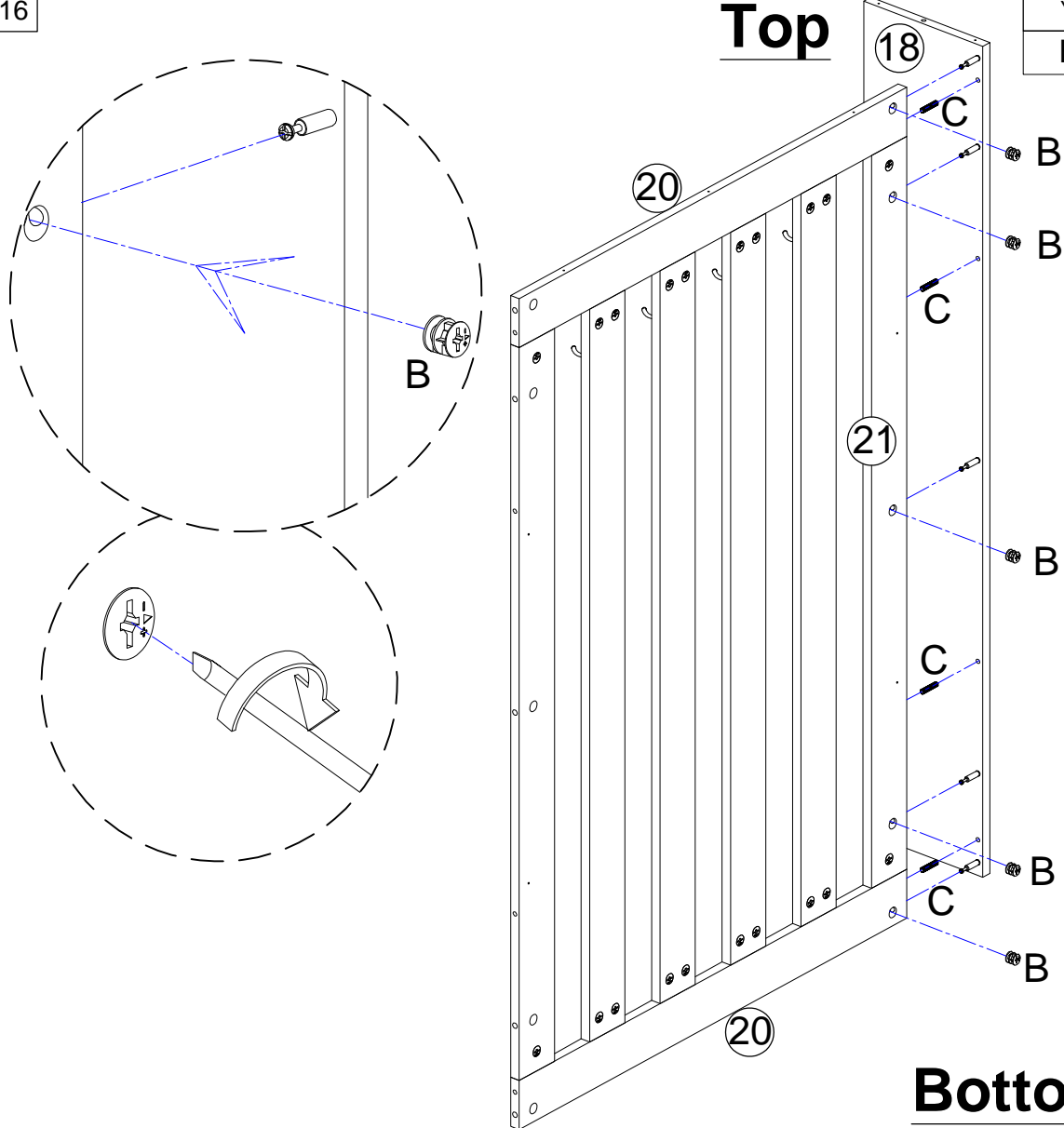
18

X2

YOU WILL NEED	
	A x10

16

Top




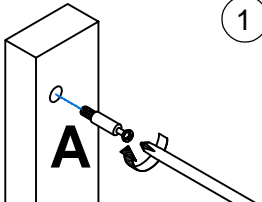
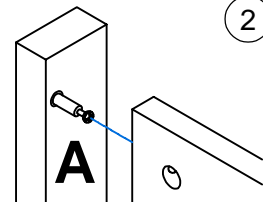
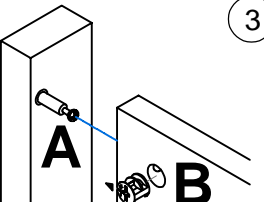
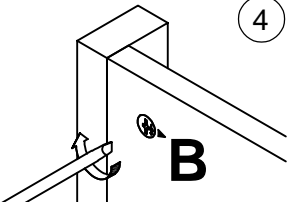

18

20

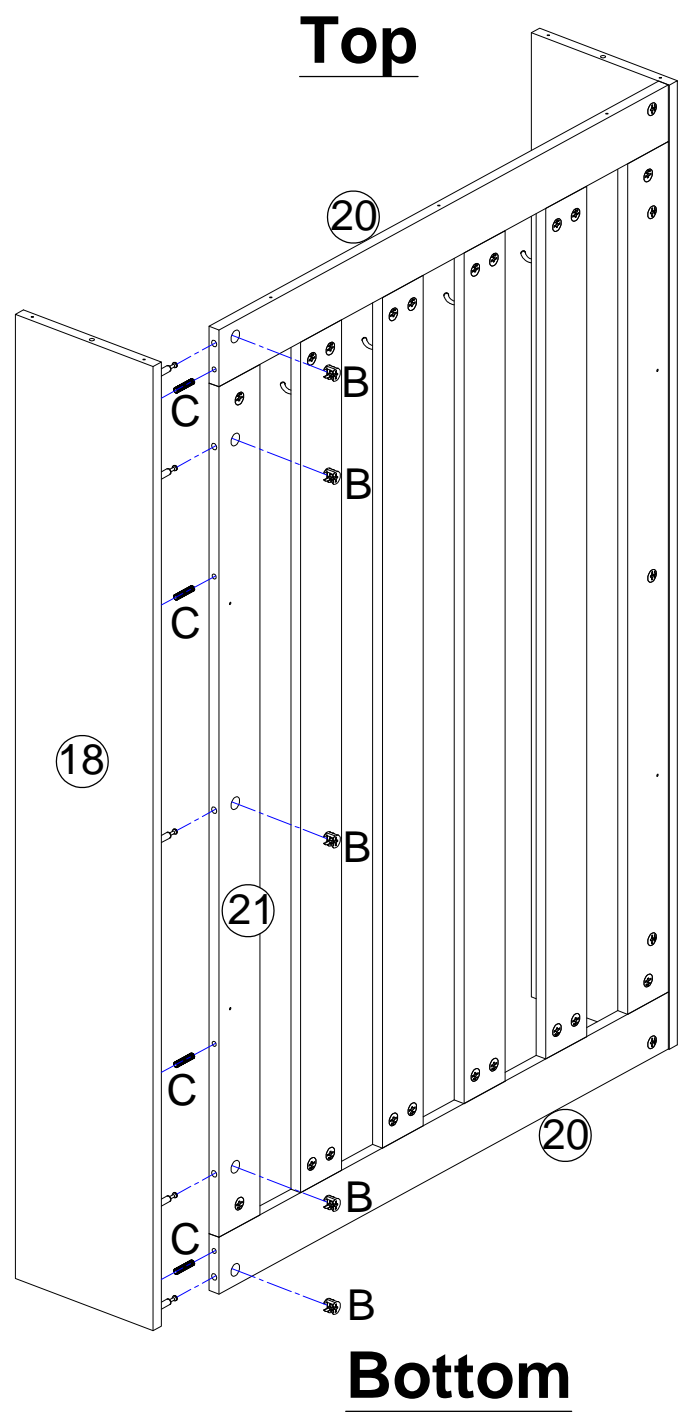
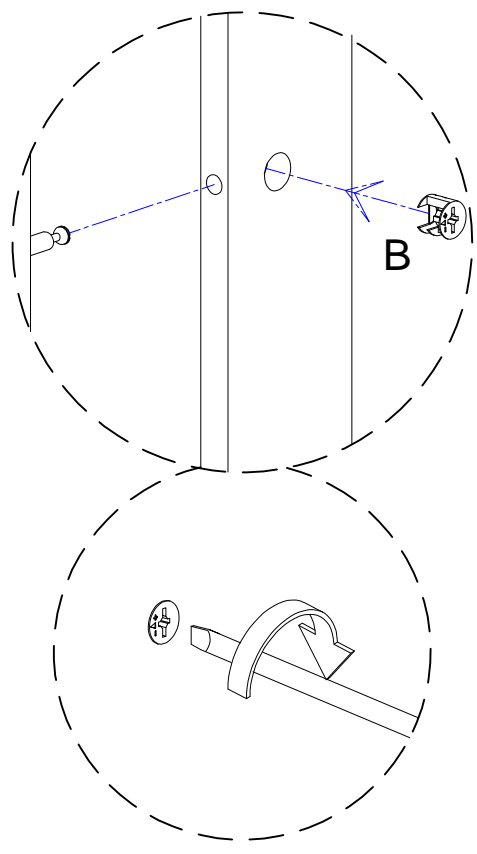
21

Bottom

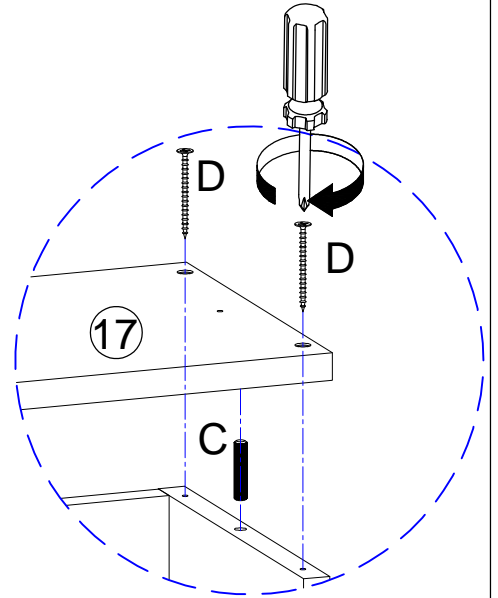
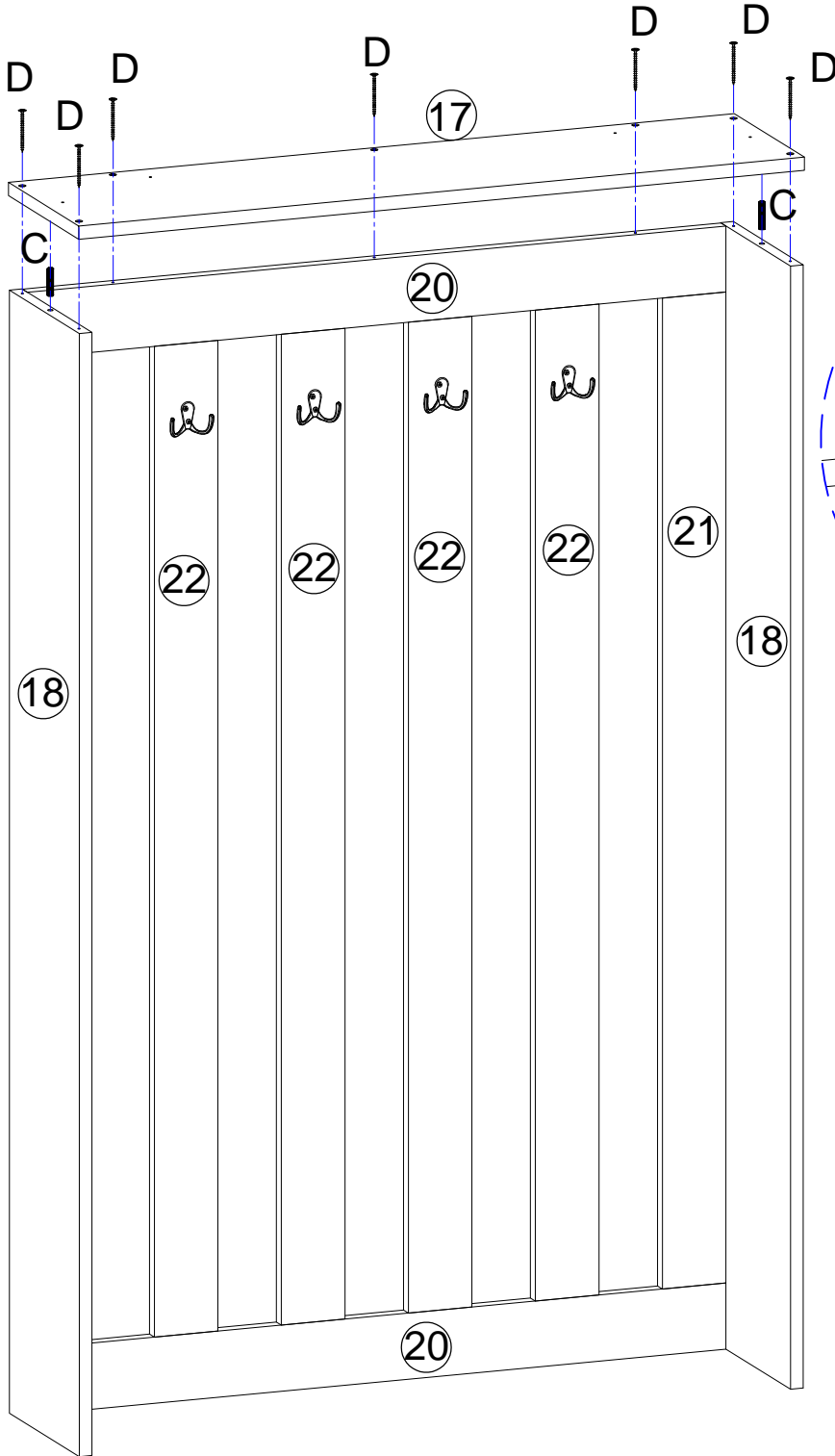
YOU WILL NEED	
B x5	C x4

<p>HOW TO</p>  <p>Cam lock</p>	 <p>1</p>	 <p>2</p>	 <p>3</p>	 <p>4</p>
 <p>Cam bolt</p>	<p>1. Screw Cam Bolt into panel</p>	<p>2. Insert Cam Bolt into bolt hole of joining panel.</p>	<p>3. Insert Cam Lock with arrow facing bolt.</p>	<p>4. Gently turn Cam Lock 180° clockwise to lock into position.</p>


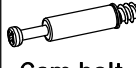
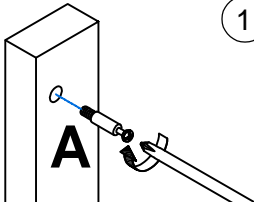
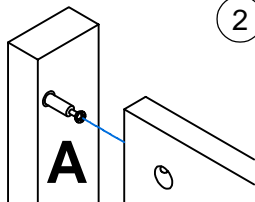
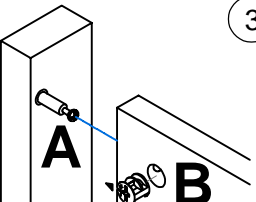
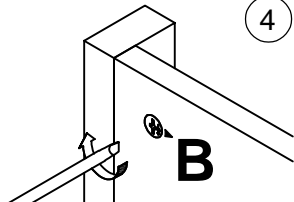
<p>17</p>	<p>YOU WILL NEED</p>
<p>B x5</p>	<p>C x4</p>



Top

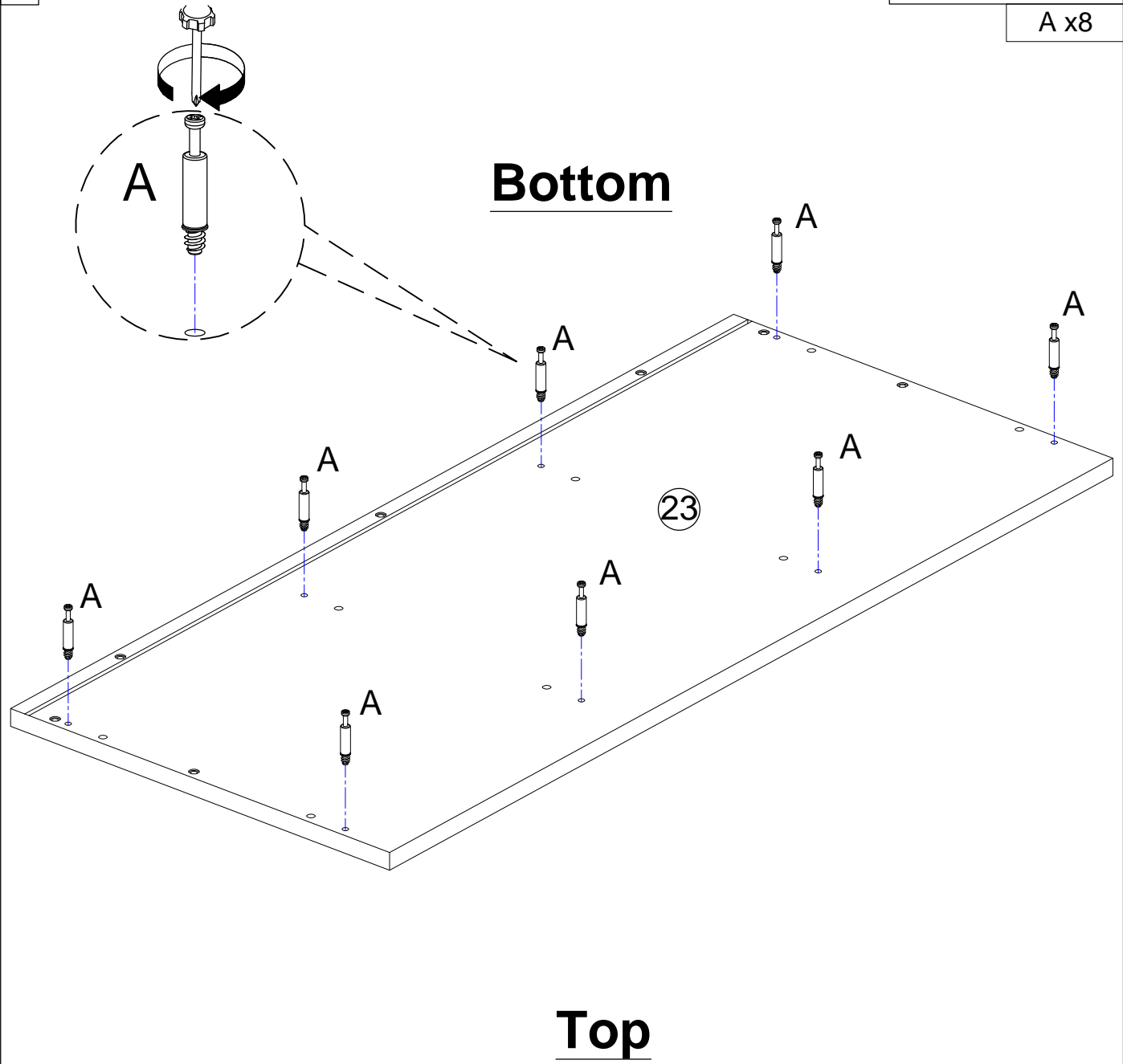


Bottom

<p>HOW TO</p>  <p>Cam lock</p>  <p>Cam bolt</p>	<p>1</p>  <p>A</p> <p>1. Screw Cam Bolt into panel</p>	<p>2</p>  <p>A</p> <p>2. Insert Cam Bolt into bolt hole of joining panel.</p>	<p>3</p>  <p>A B</p> <p>3. Insert Cam Lock with arrow facing bolt.</p>	<p>4</p>  <p>B</p> <p>4. Gently turn Cam Lock 180° clockwise to lock into position.</p>
--	--	---	--	---

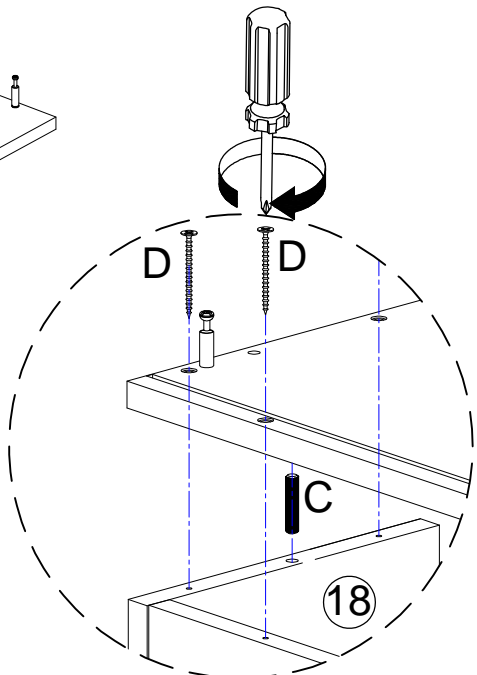
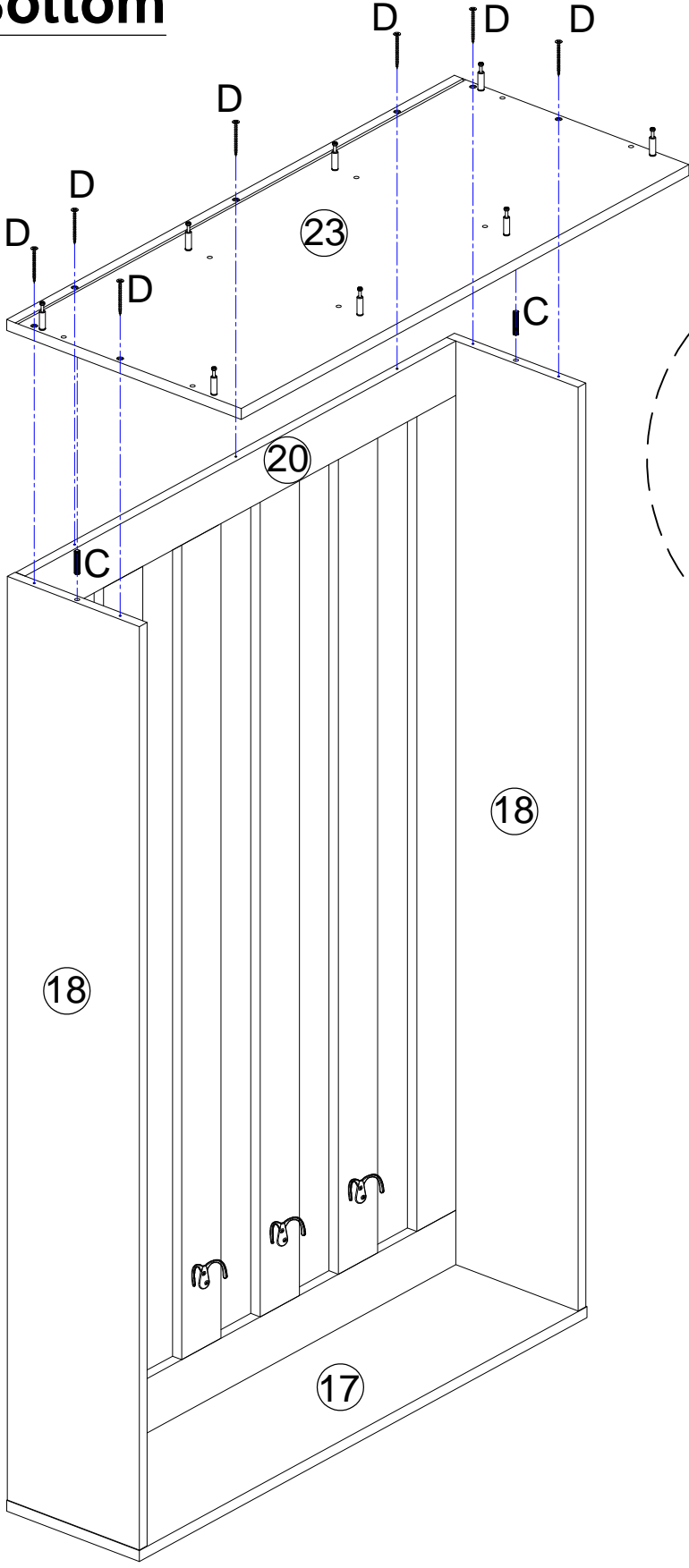
19

YOU WILL NEED
A x8


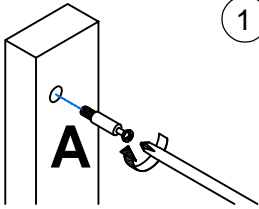
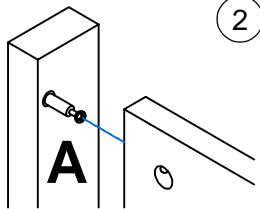
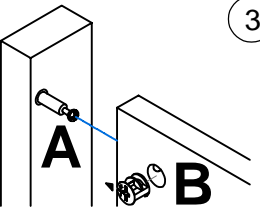
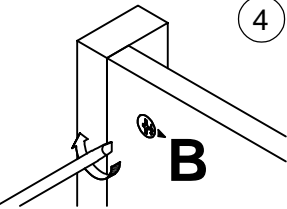



YOU WILL NEED	
D x7	C x2

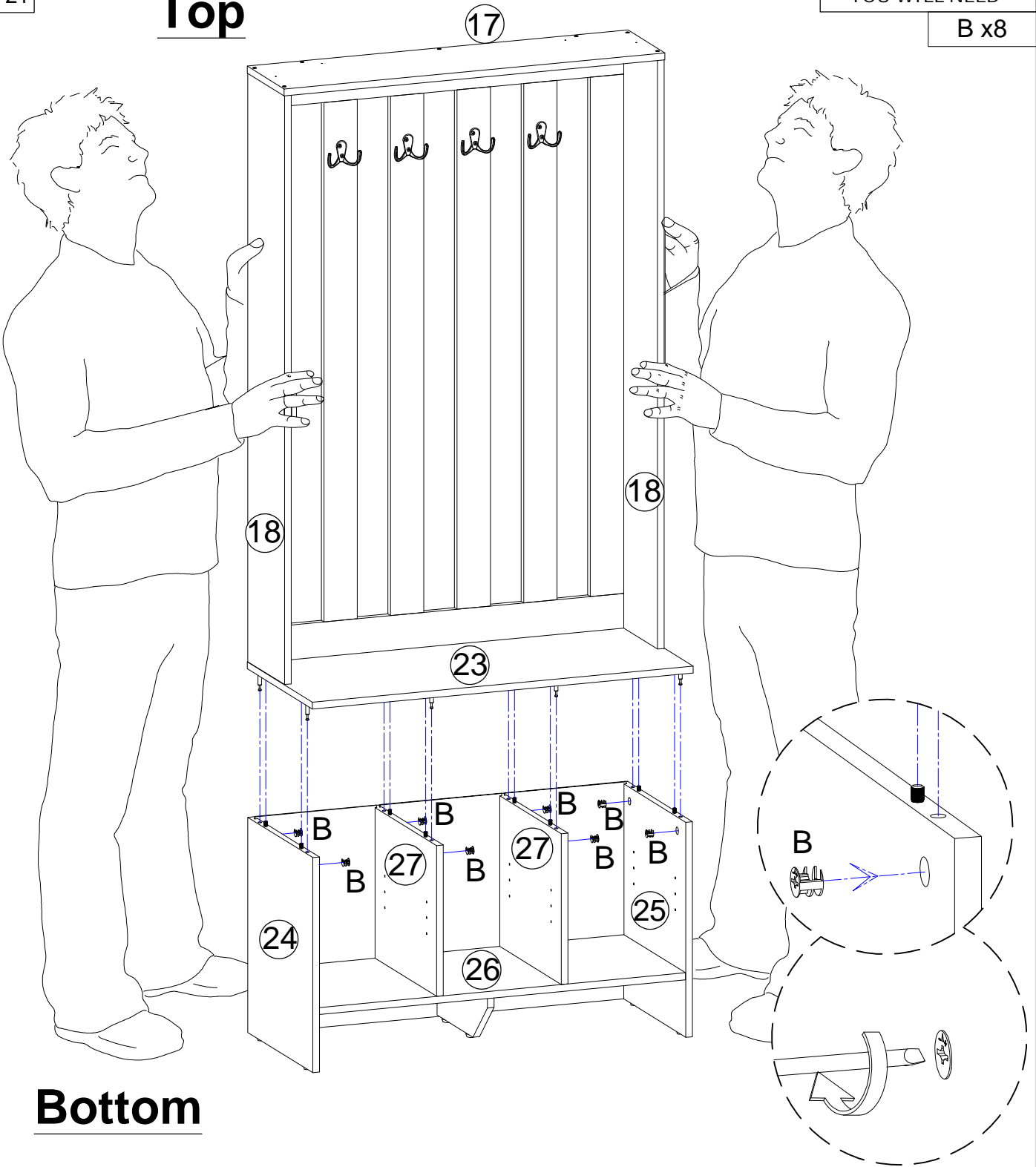
Bottom



Top

<p>HOW TO</p>  <p>Cam lock</p>	<p>1</p>  <p>A</p>	<p>2</p>  <p>A</p>	<p>3</p>  <p>A B</p>	<p>4</p>  <p>B</p>
 <p>Cam bolt</p>	<p>1. Screw Cam Bolt into panel</p>	<p>2. Insert Cam Bolt into bolt hole of joining panel.</p>	<p>3. Insert Cam Lock with arrow facing bolt.</p>	<p>4. Gently turn Cam Lock 180° clockwise to lock into position.</p>

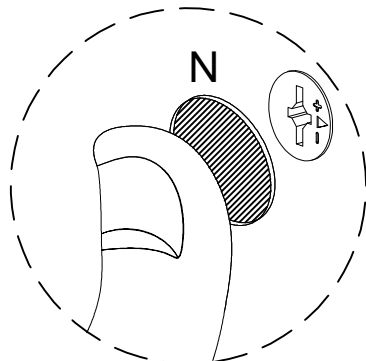
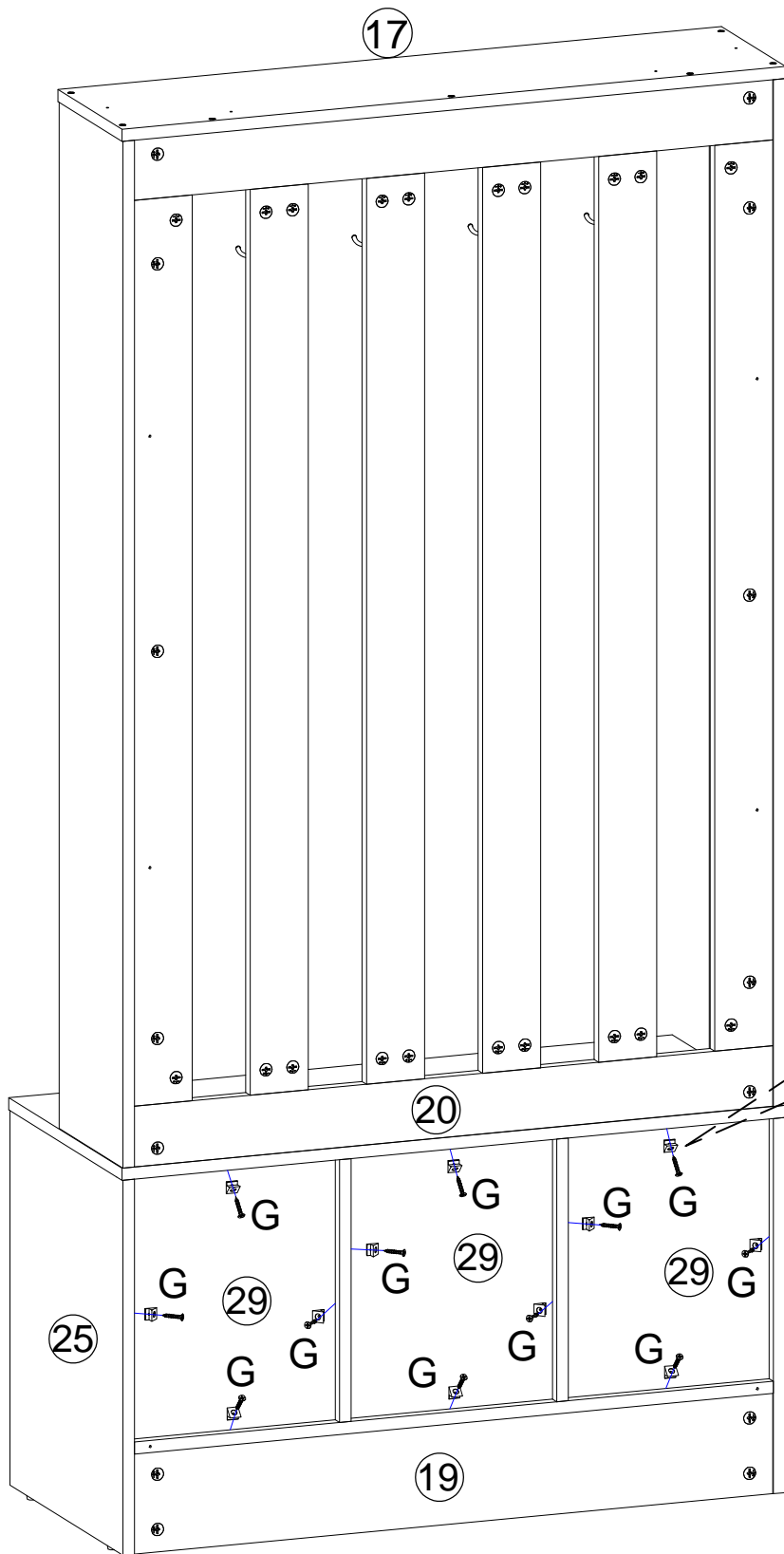
21 **Top** YOU WILL NEED
B x8



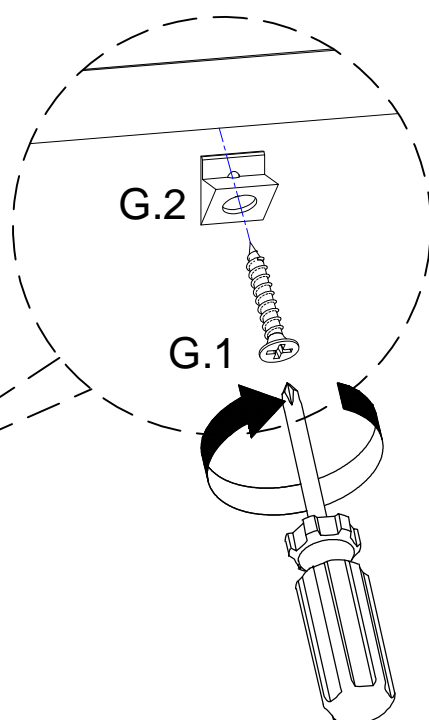
Bottom

Top

YOU WILL NEED	
G x12	N x34

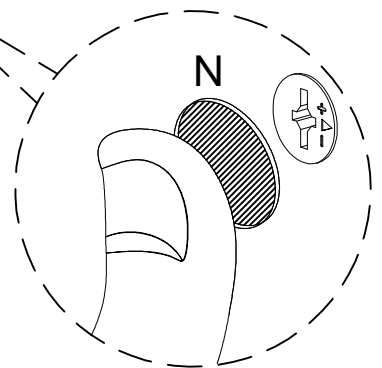
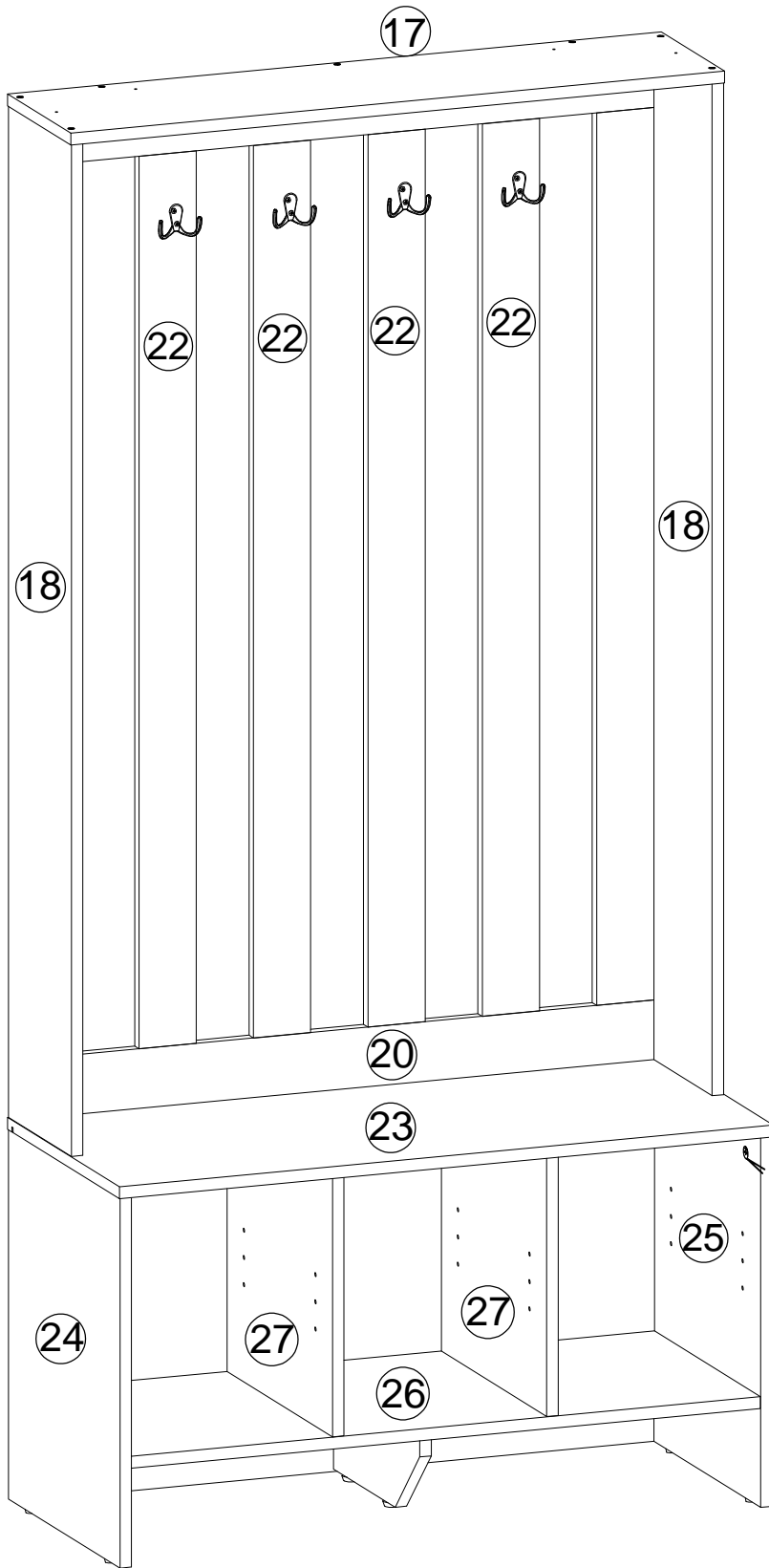


Use Perfect Sticker (N) to cover the Camlock's holes !




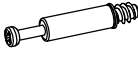
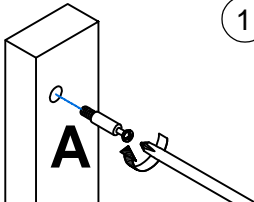
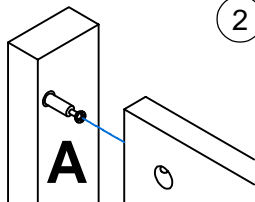
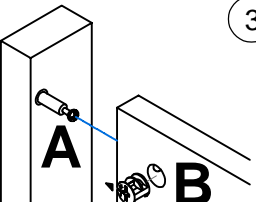
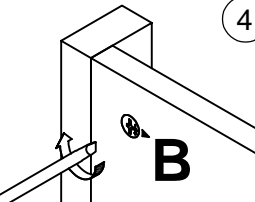
Bottom

Top



Use Perfect Sticker (N) to cover the Camlock's holes !

Bottom

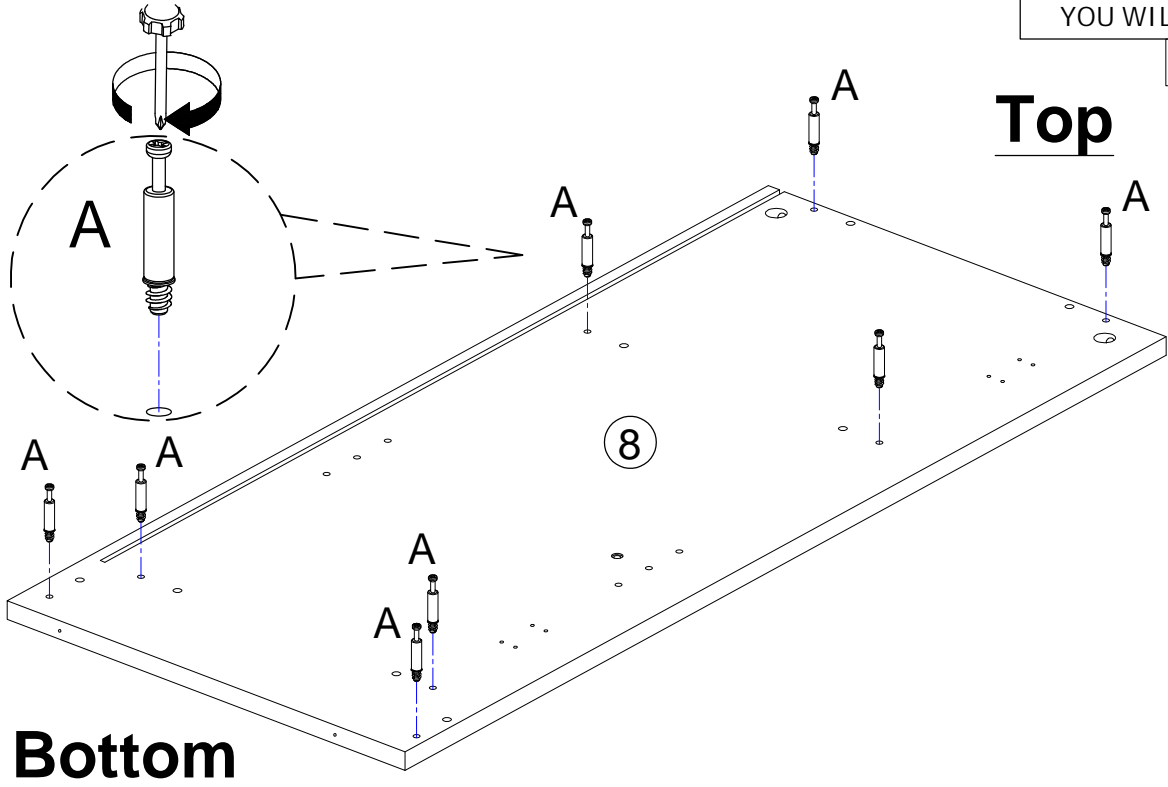
<p>HOW TO</p>  <p>Cam lock</p>  <p>Cam bolt</p>	<p>1</p>  <p>A</p>	<p>2</p>  <p>A</p>	<p>3</p>  <p>A B</p>	<p>4</p>  <p>B</p>	
<p>1. Screw Cam Bolt into panel</p>		<p>2. Insert Cam Bolt into bolt hole of joining panel.</p>		<p>3. Insert Cam Lock with arrow facing bolt.</p>	<p>4. Gently turn Cam Lock 180° clockwise to lock into position.</p>

24

YOU WILL NEED

A x8

Top



Bottom

8

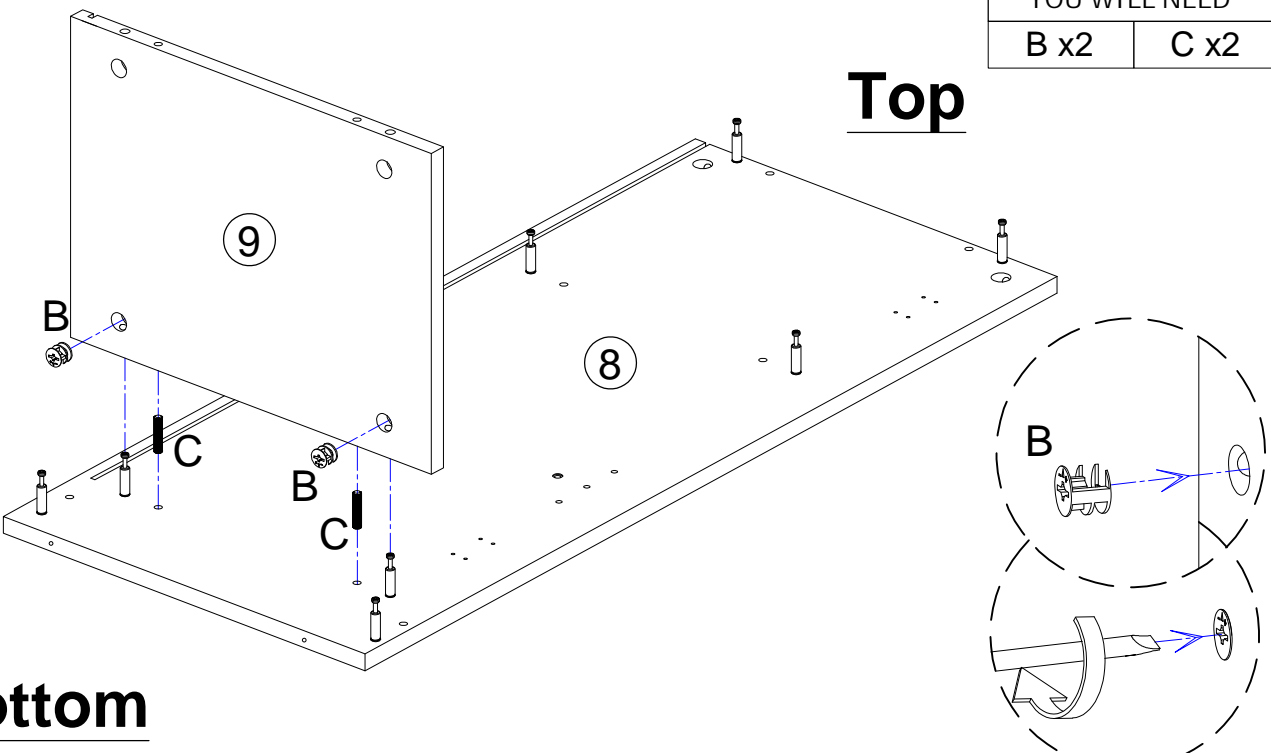
25

YOU WILL NEED

B x2

C x2


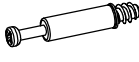
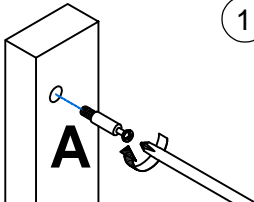
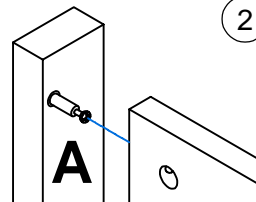
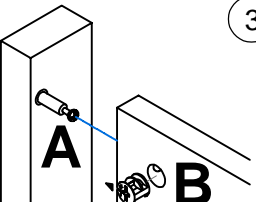
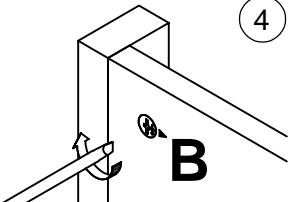
Top



Bottom

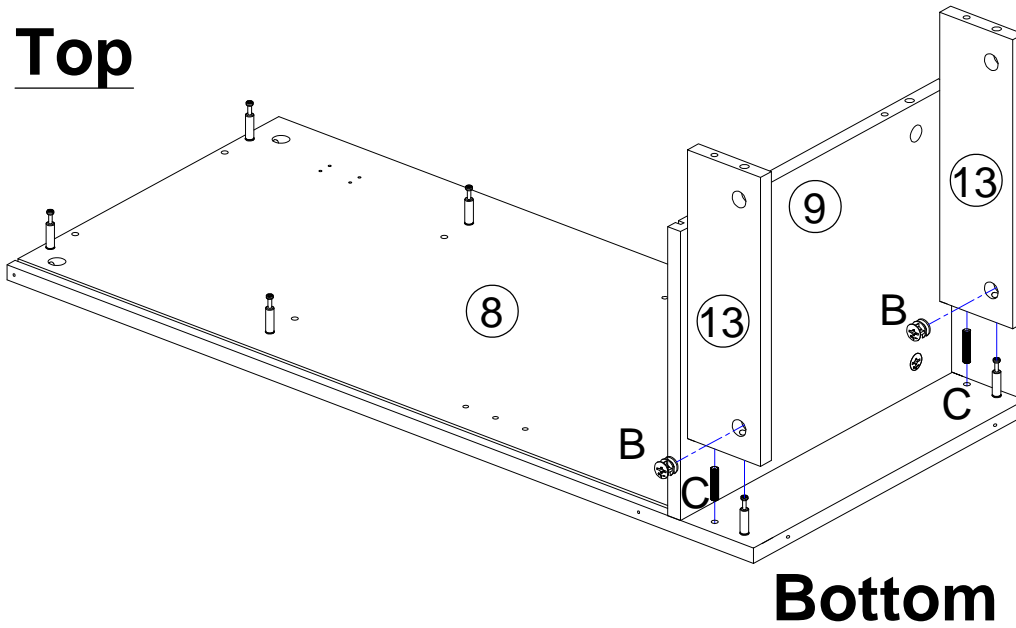
9

8

<p>HOW TO</p>  <p>Cam lock</p>  <p>Cam bolt</p>	<p>1</p>  <p>A</p>	<p>2</p>  <p>A</p>	<p>3</p>  <p>A B</p>	<p>4</p>  <p>B</p>
	<p>1. Screw Cam Bolt into panel</p>	<p>2. Insert Cam Bolt into bolt hole of joining panel.</p>	<p>3. Insert Cam Lock with arrow facing bolt.</p>	<p>4. Gently turn Cam Lock 180° clockwise to lock into position.</p>

26

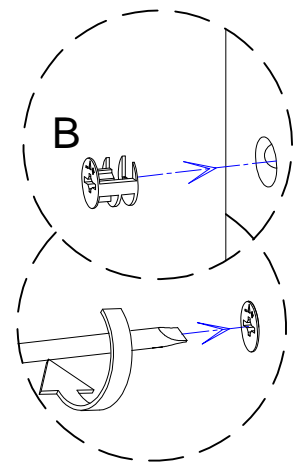
Top



Bottom

YOU WILL NEED

B x2	C x2
------	------

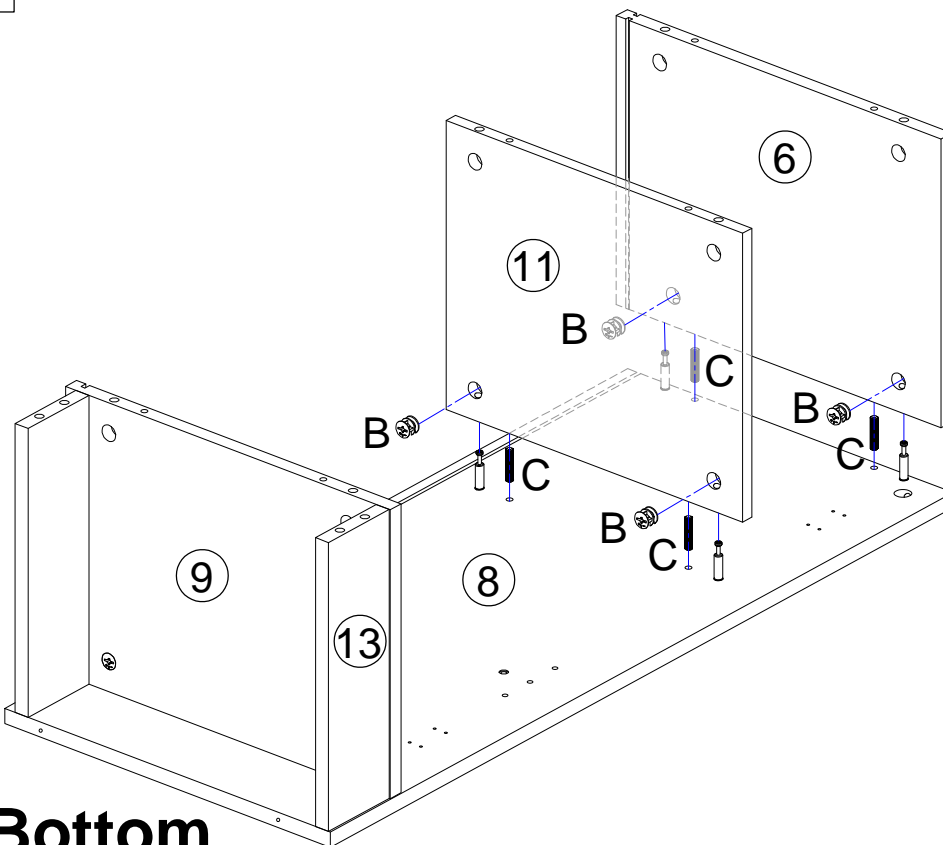


27

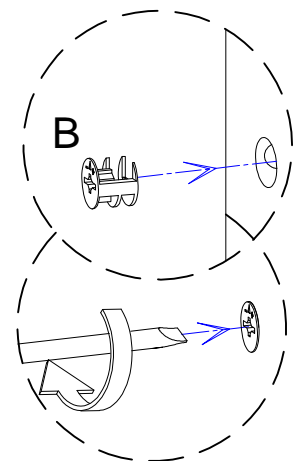
YOU WILL NEED


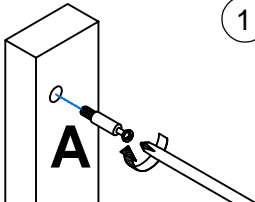
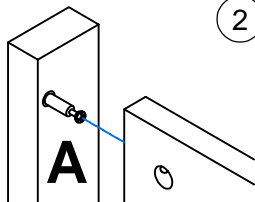
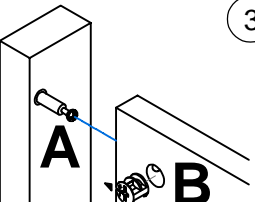
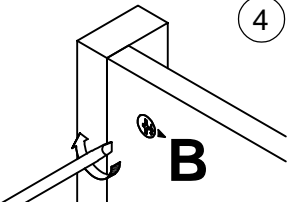
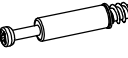
B x4	C x4
------	------

Top



Bottom

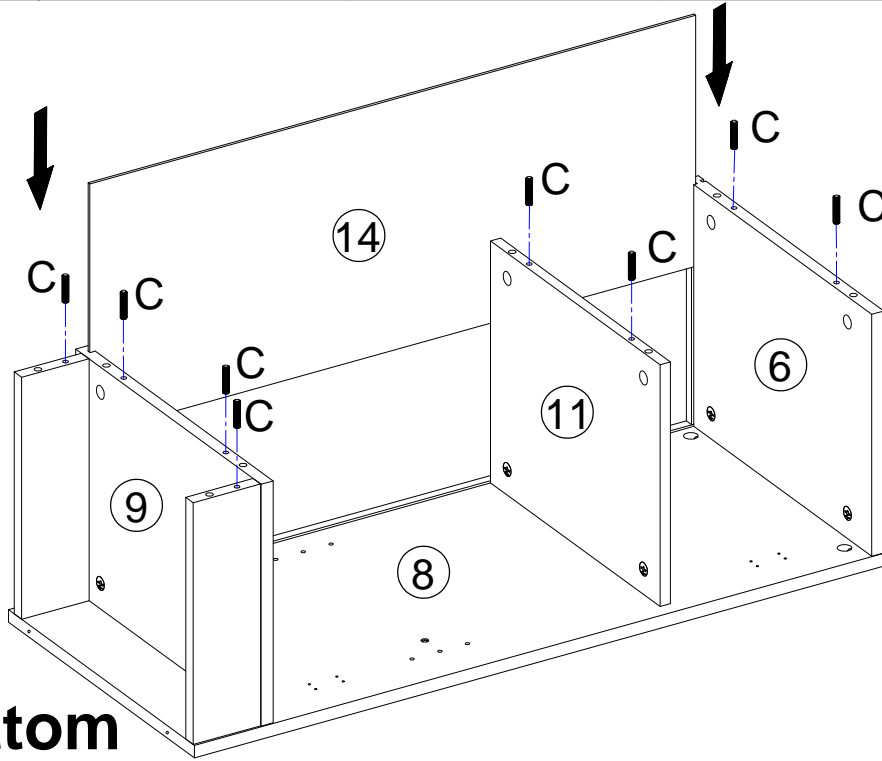


<p>HOW TO</p>  <p>Cam lock</p>	 <p>1</p>	 <p>2</p>	 <p>3</p>	 <p>4</p>
 <p>Cam bolt</p>	<p>1. Screw Cam Bolt into panel</p>	<p>2. Insert Cam Bolt into bolt hole of joining panel.</p>	<p>3. Insert Cam Lock with arrow facing bolt.</p>	<p>4. Gently turn Cam Lock 180° clockwise to lock into position.</p>

28

YOU WILL NEED

C x8



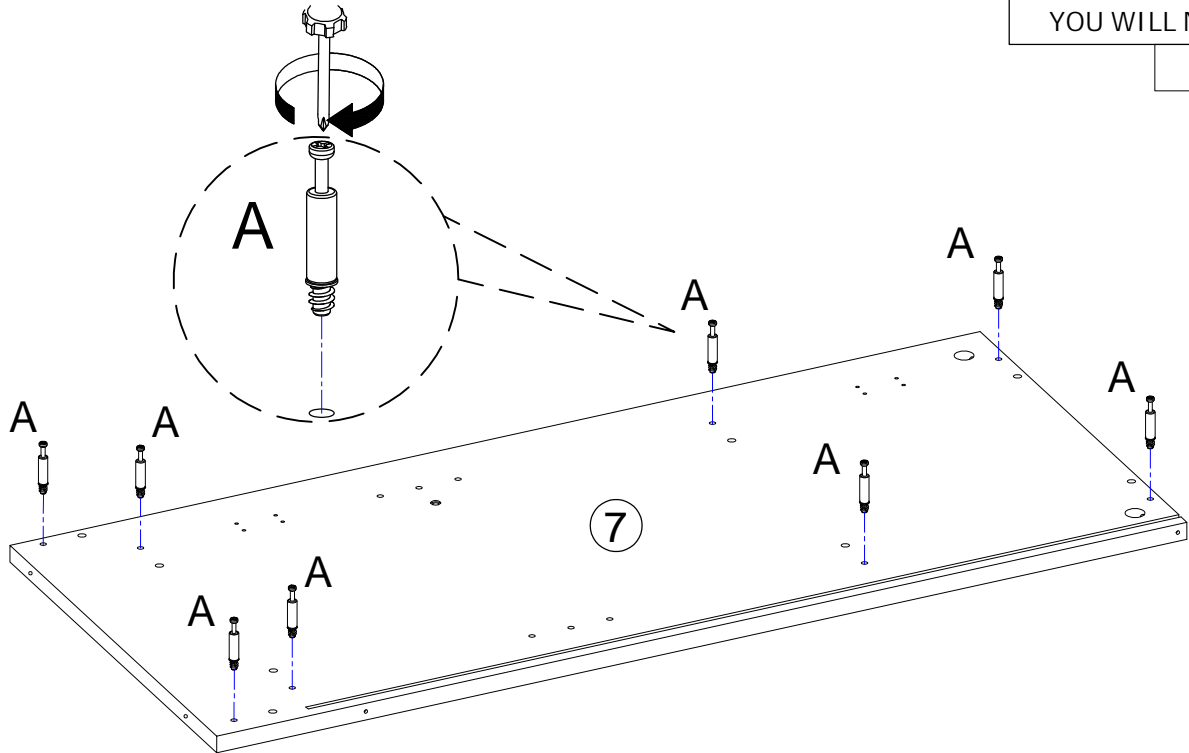
Top


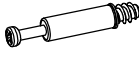
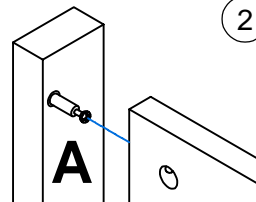
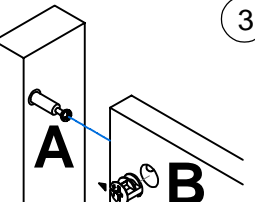
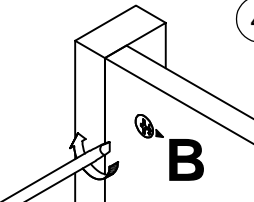
Bottom

29

YOU WILL NEED

A x8

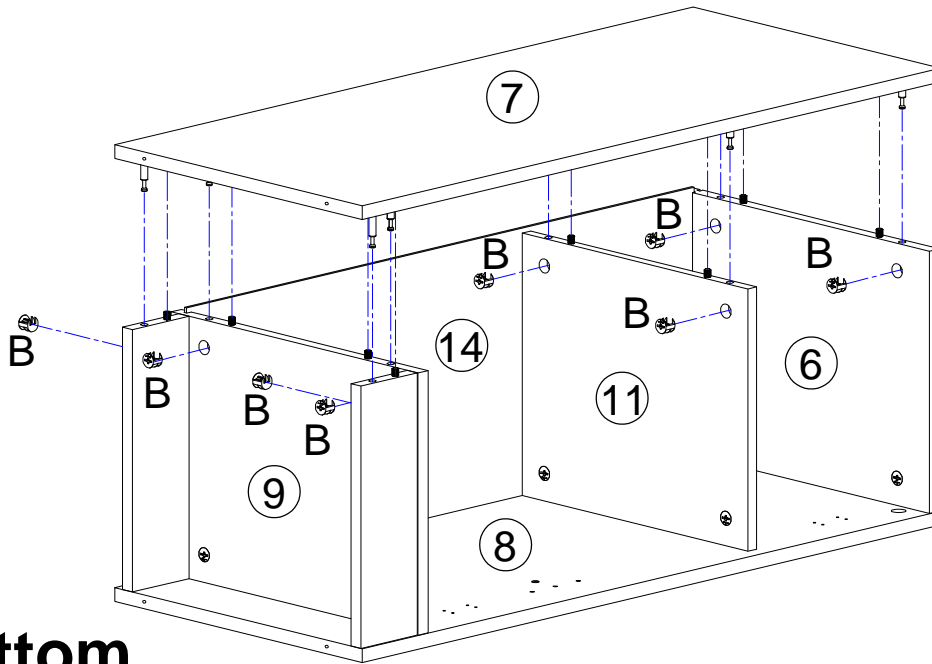


<p>HOW TO</p>  <p>Cam lock</p>  <p>Cam bolt</p>	<p>1</p>  <p>A</p>	<p>2</p>  <p>A</p>	<p>3</p>  <p>A B</p>	<p>4</p>  <p>B</p>
	<p>1. Screw Cam Bolt into panel</p>	<p>2. Insert Cam Bolt into bolt hole of joining panel.</p>	<p>3. Insert Cam Lock with arrow facing bolt.</p>	<p>4. Gently turn Cam Lock 180° clockwise to lock into position.</p>

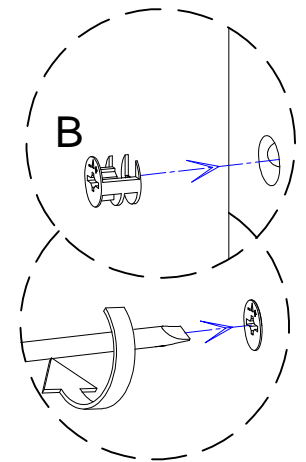
30

YOU WILL NEED

B x8



Top



Bottom

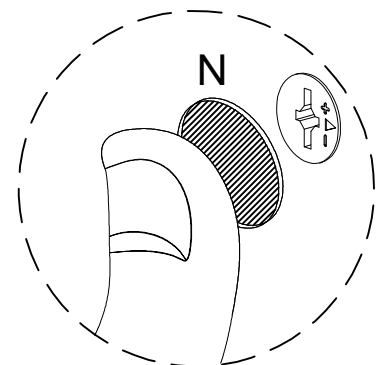
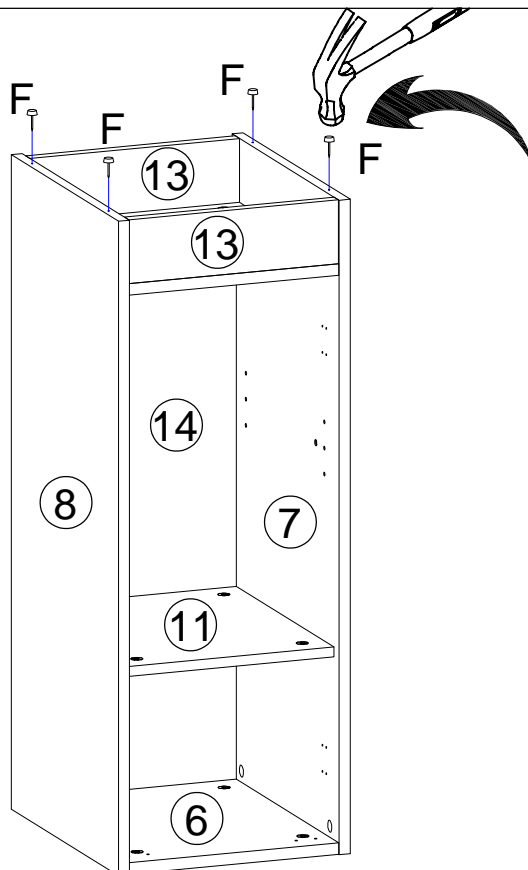
31

YOU WILL NEED

F x4


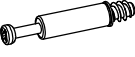
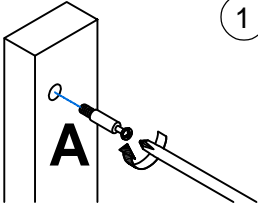
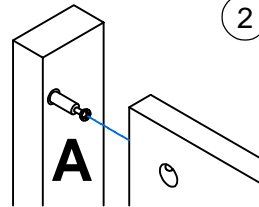
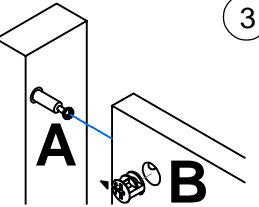
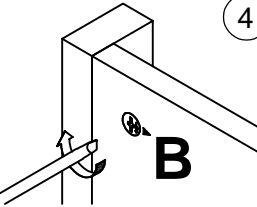
N x16

Bottom



Use Perfect Sticker (N) to cover the Camlock's holes !

Top

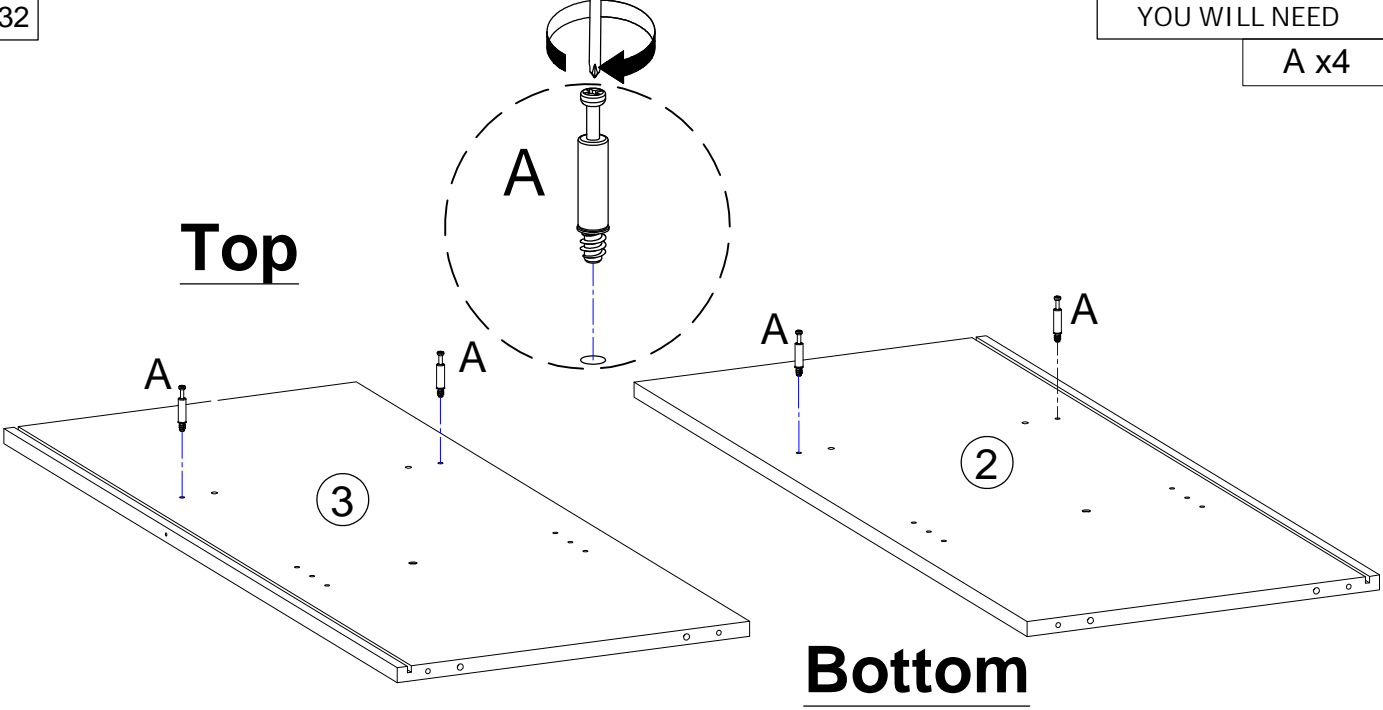
<p>HOW TO</p>  <p>Cam lock</p>  <p>Cam bolt</p>	<p>1</p>  <p>A</p> <p>1. Screw Cam Bolt into panel</p>	<p>2</p>  <p>A</p> <p>2. Insert Cam Bolt into bolt hole of joining panel.</p>	<p>3</p>  <p>A B</p> <p>3. Insert Cam Lock with arrow facing bolt.</p>	<p>4</p>  <p>B</p> <p>4. Gently turn Cam Lock 180° clockwise to lock into position.</p>
---	--	---	--	---

32

YOU WILL NEED

A x4

Top



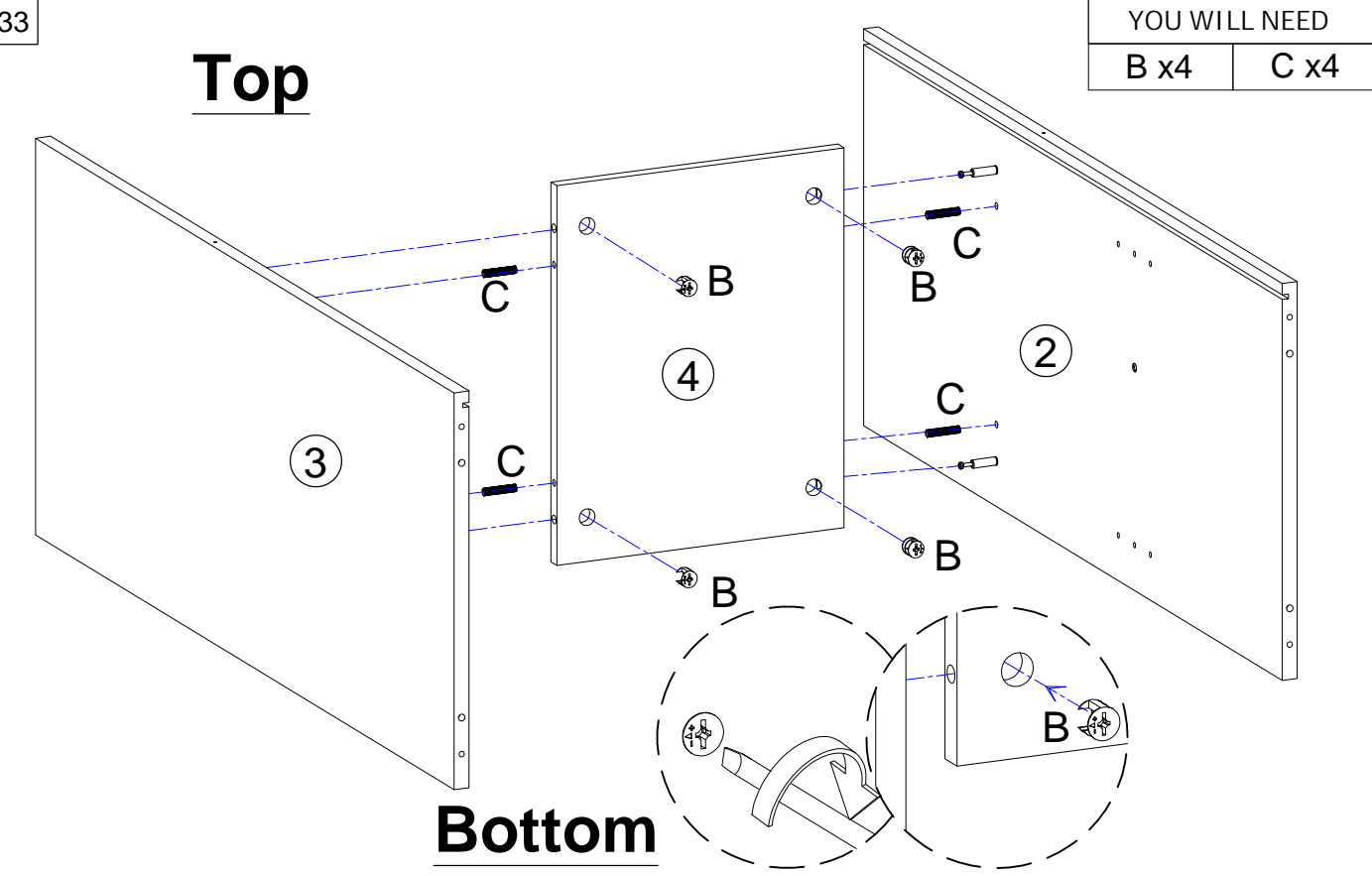
Bottom

33

YOU WILL NEED

B x4 C x4

Top



Bottom

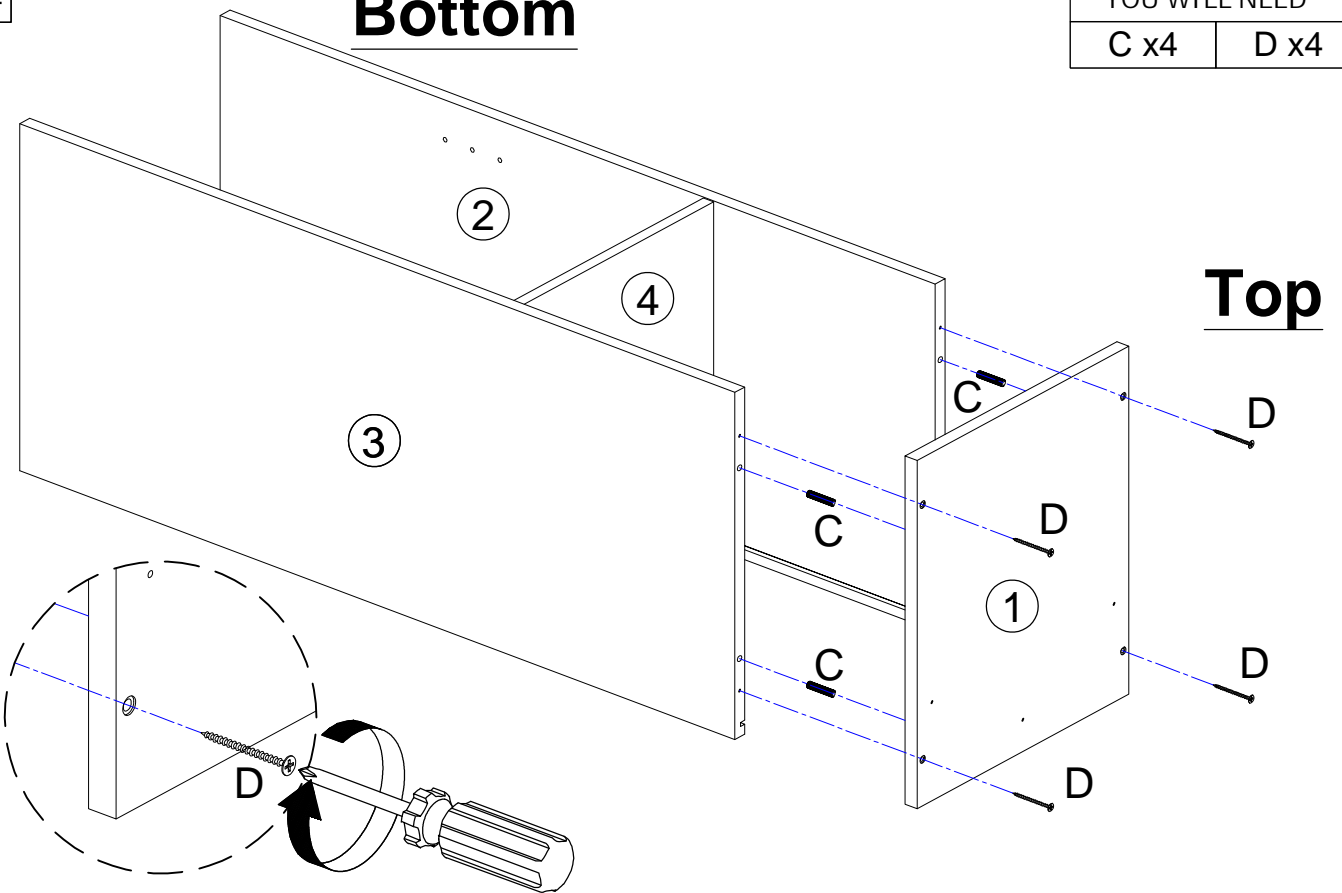
34

Bottom

YOU WILL NEED

C x4

D x4



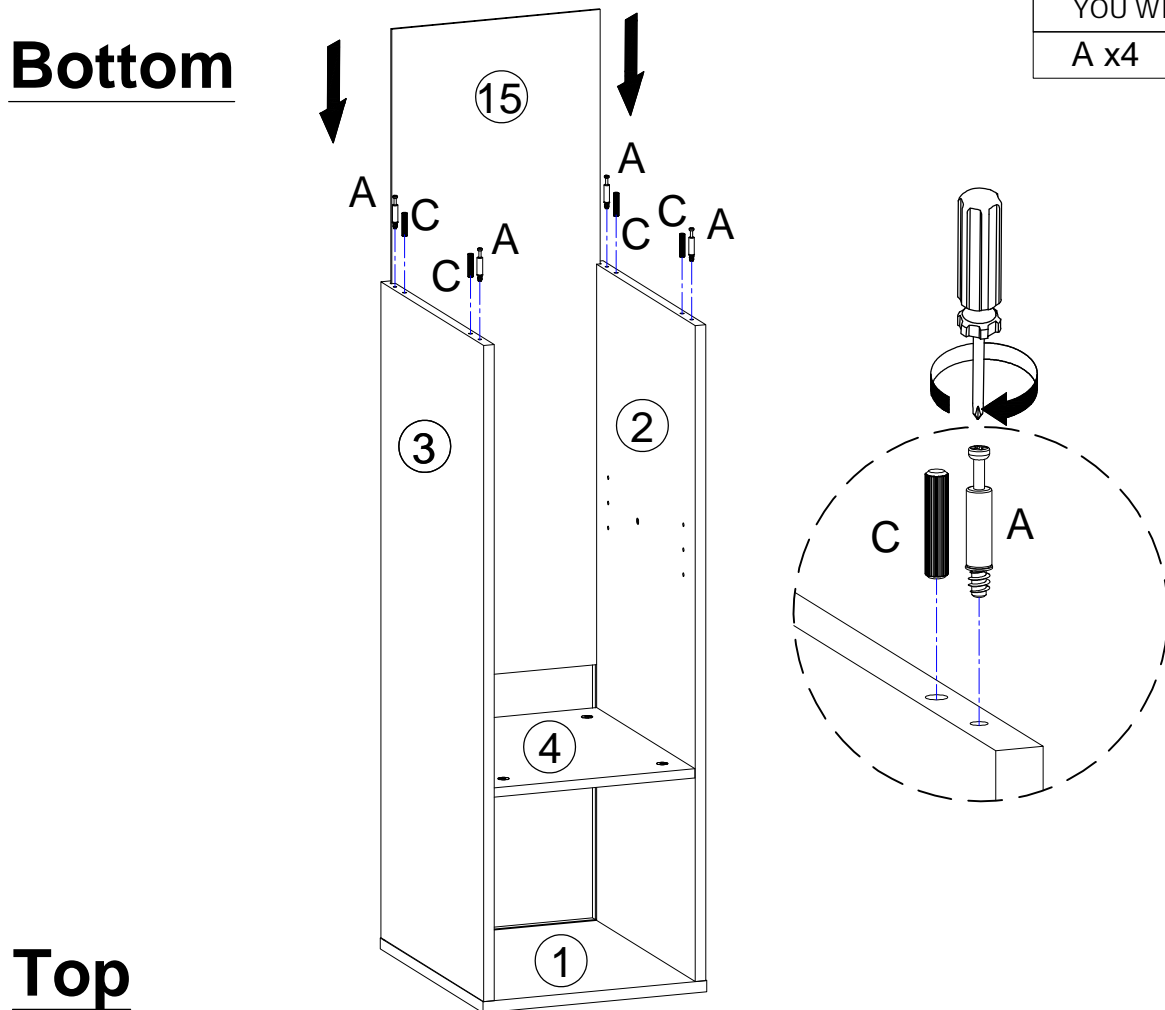
35



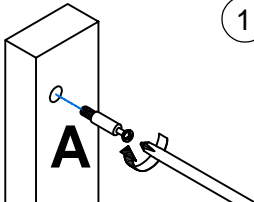
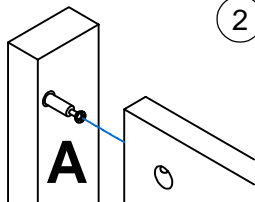
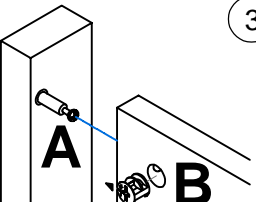
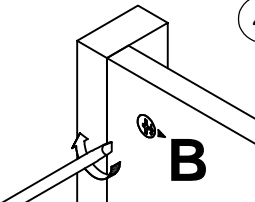
Bottom

YOU WILL NEED

A x4

C x4



<p>HOW TO</p>  <p>Cam lock</p>  <p>Cam bolt</p>	<p>1</p>  <p>A</p> <p>1. Screw Cam Bolt into panel</p>	<p>2</p>  <p>A</p> <p>2. Insert Cam Bolt into bolt hole of joining panel.</p>	<p>3</p>  <p>A B</p> <p>3. Insert Cam Lock with arrow facing bolt.</p>	<p>4</p>  <p>B</p> <p>4. Gently turn Cam Lock 180° clockwise to lock into position.</p>
--	--	---	--	---

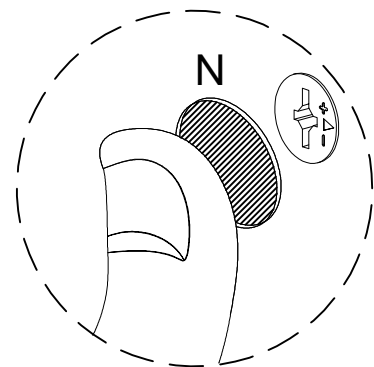
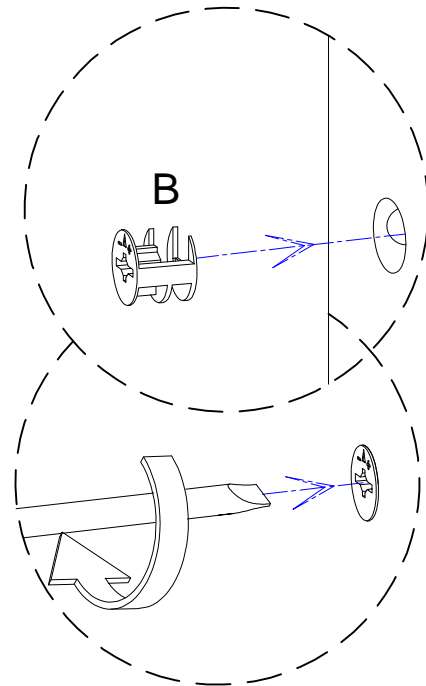
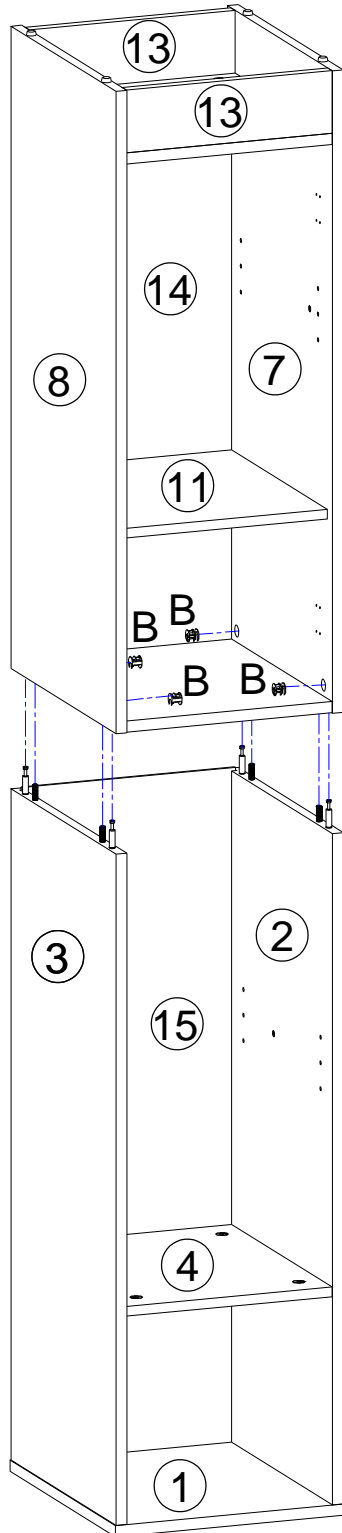
36

YOU WILL NEED

B x4

N x8

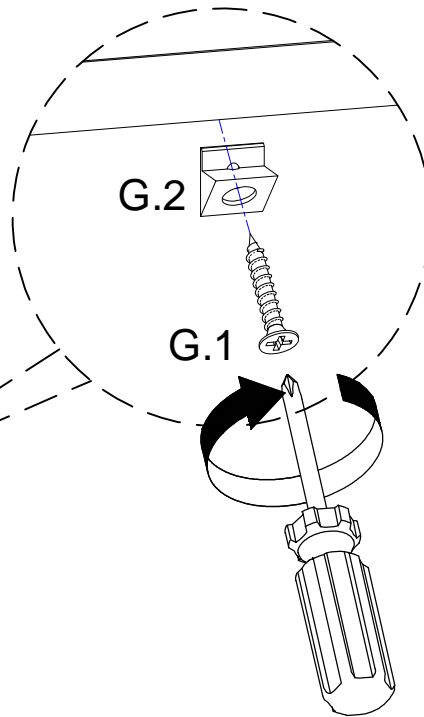
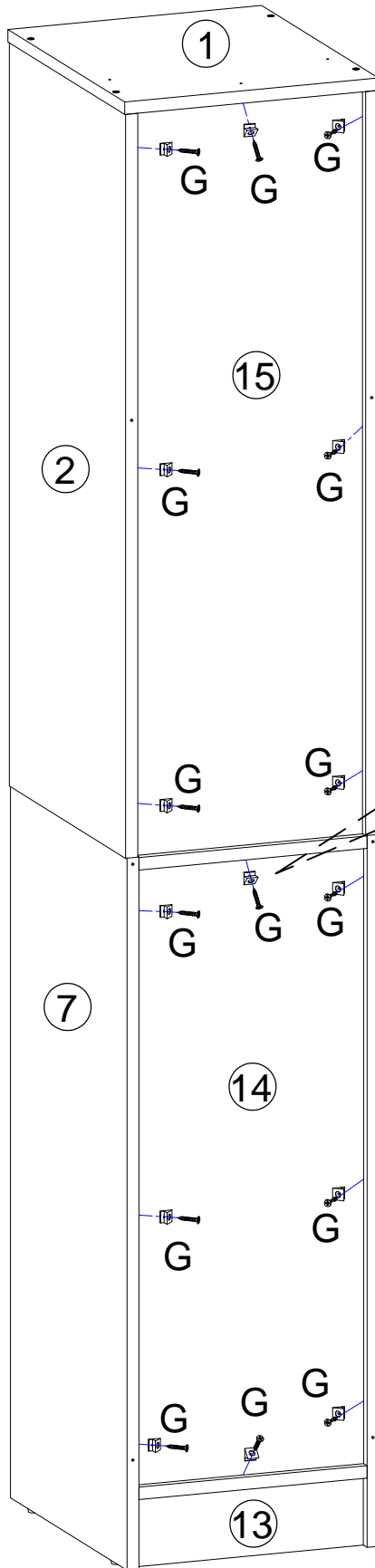
Bottom



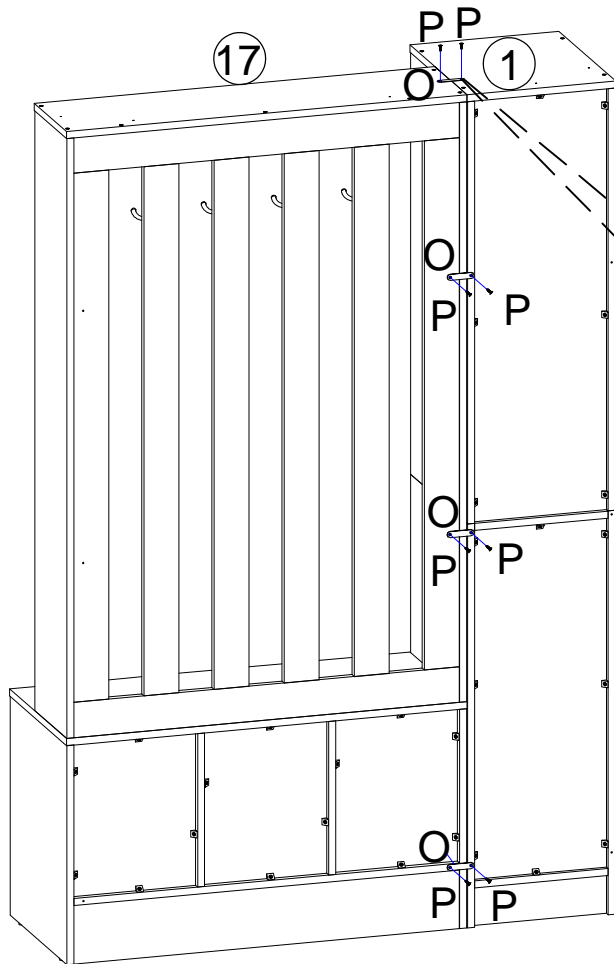
Use Perfect Sticker (N) to cover the Camlock's holes !

Top

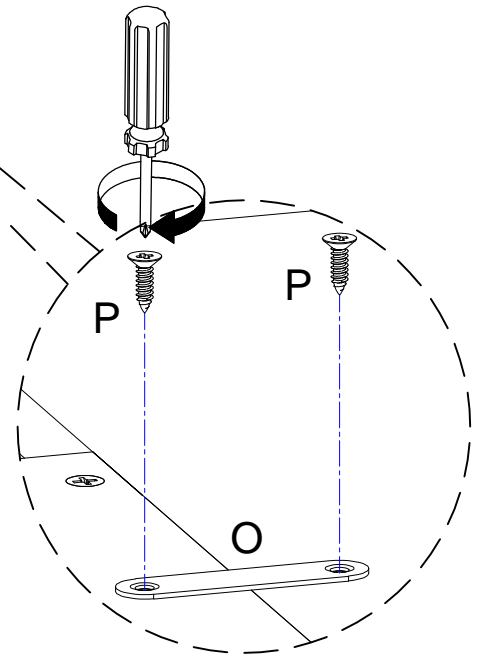
Top



Bottom

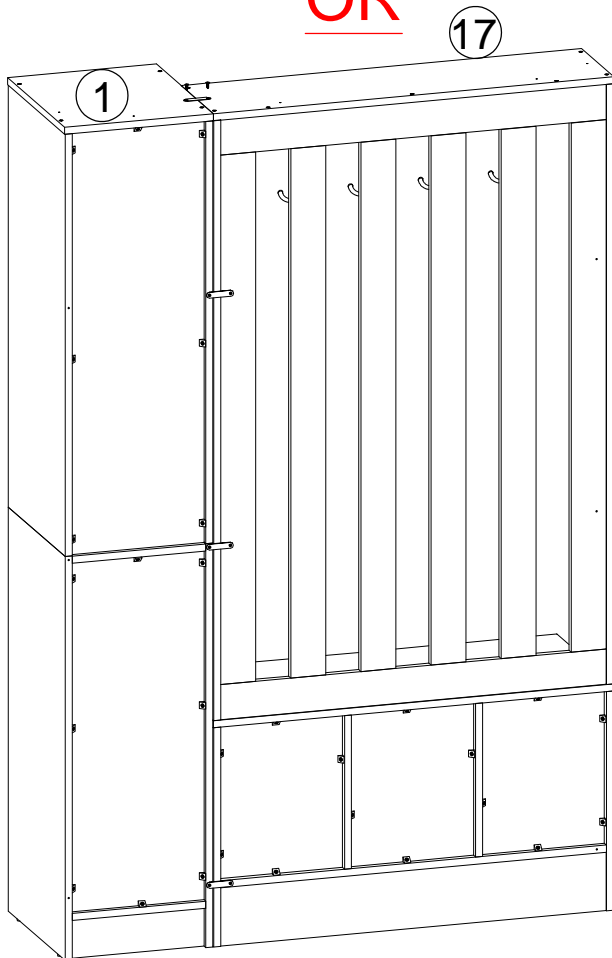


YOU WILL NEED	
O x4	P x8

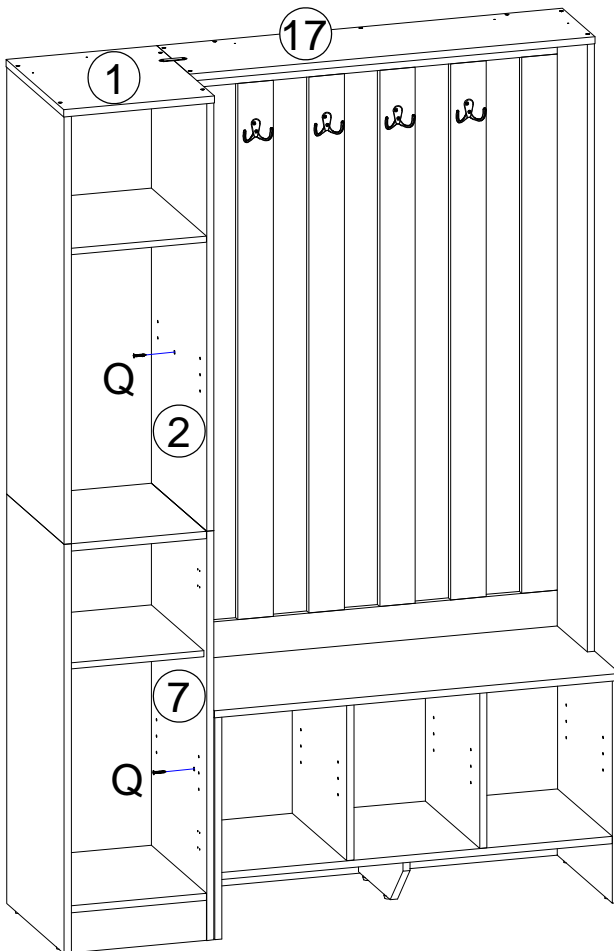
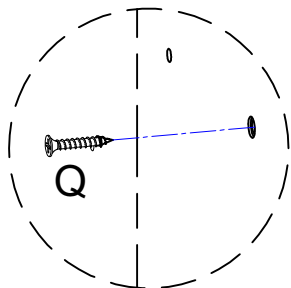


Option A

OR

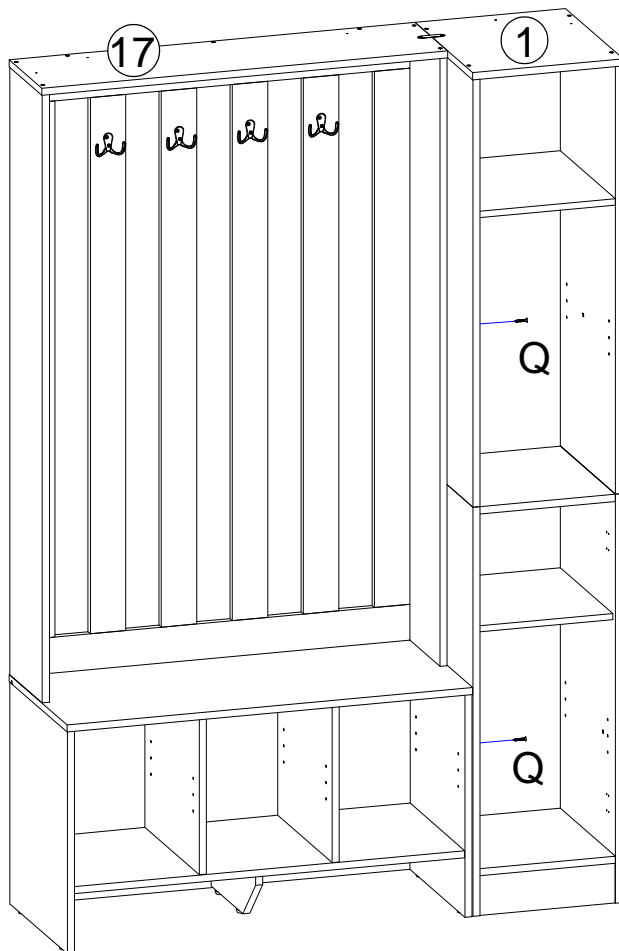


Option B

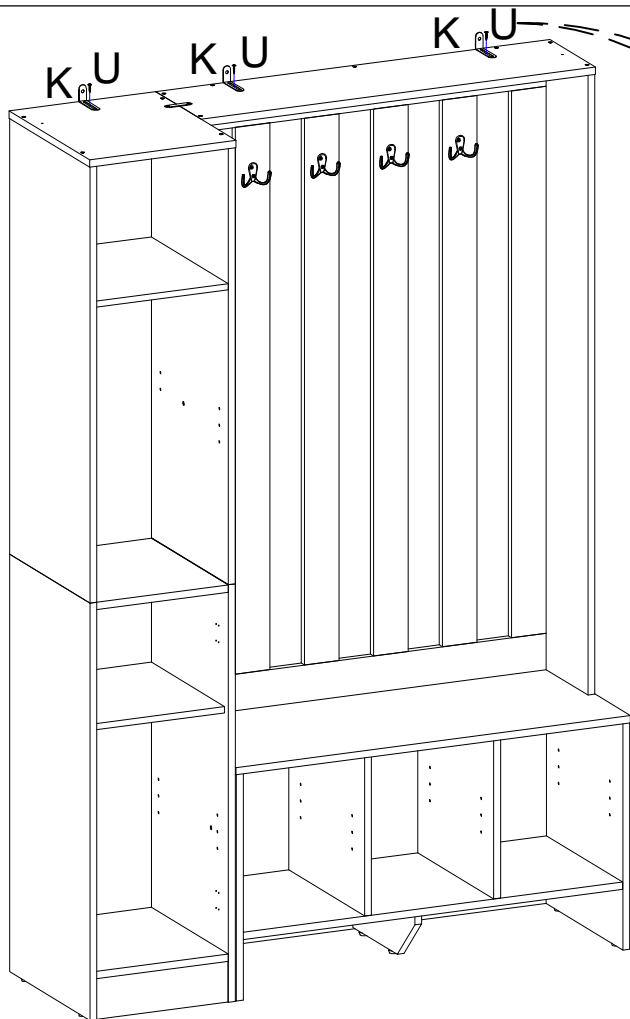


Option A

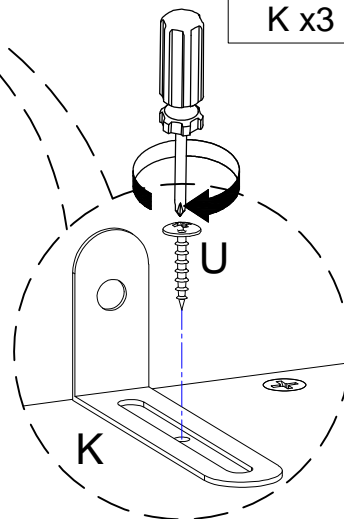
OR



Option B

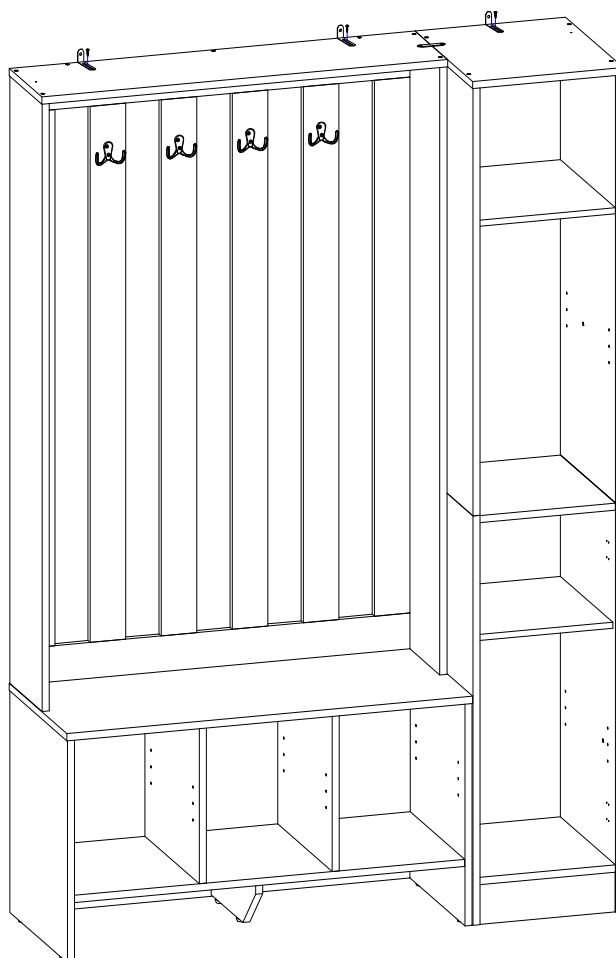


YOU WILL NEED	
K x3	U x3

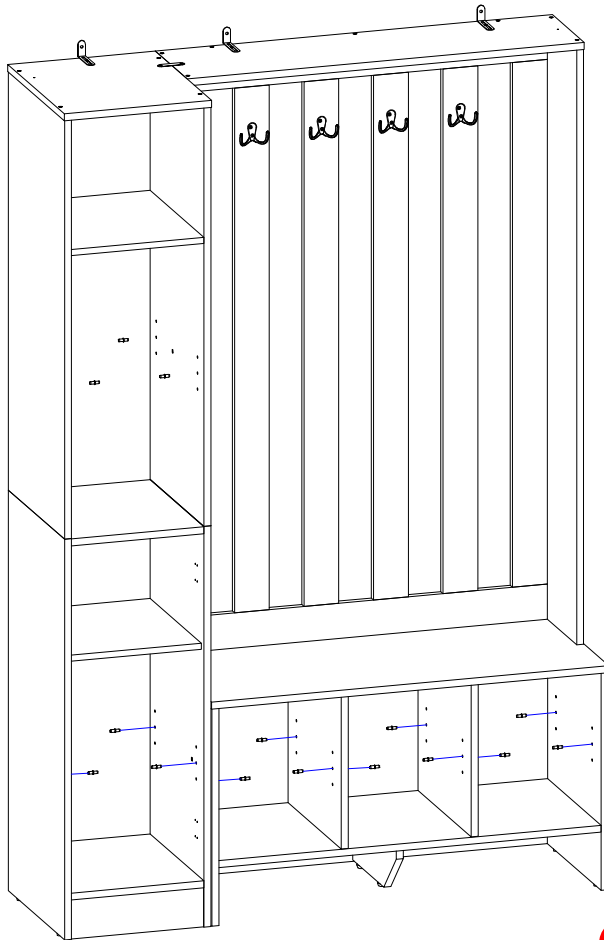


Option A

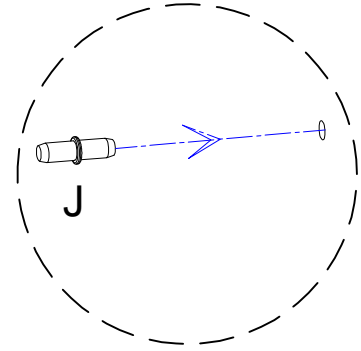
OR



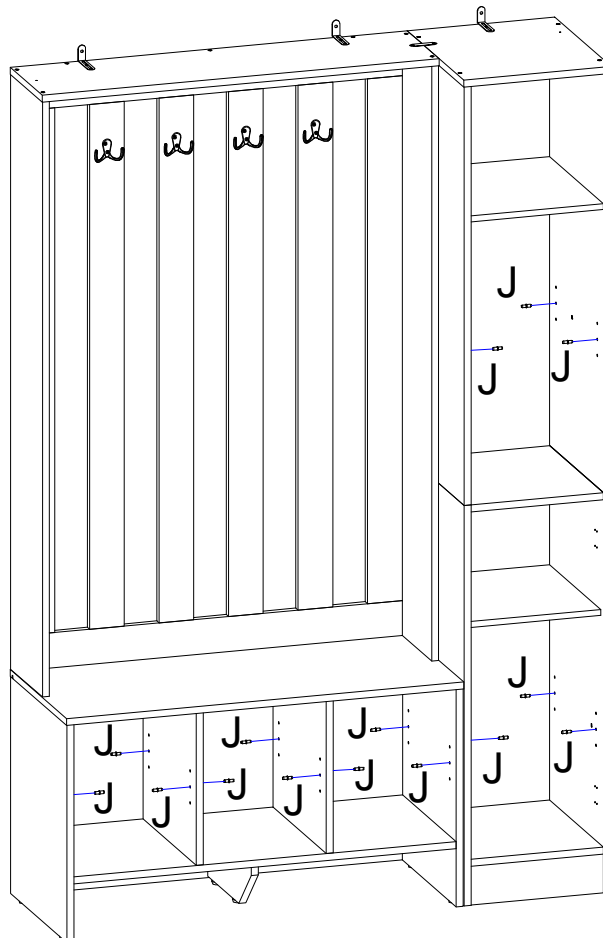
Option B



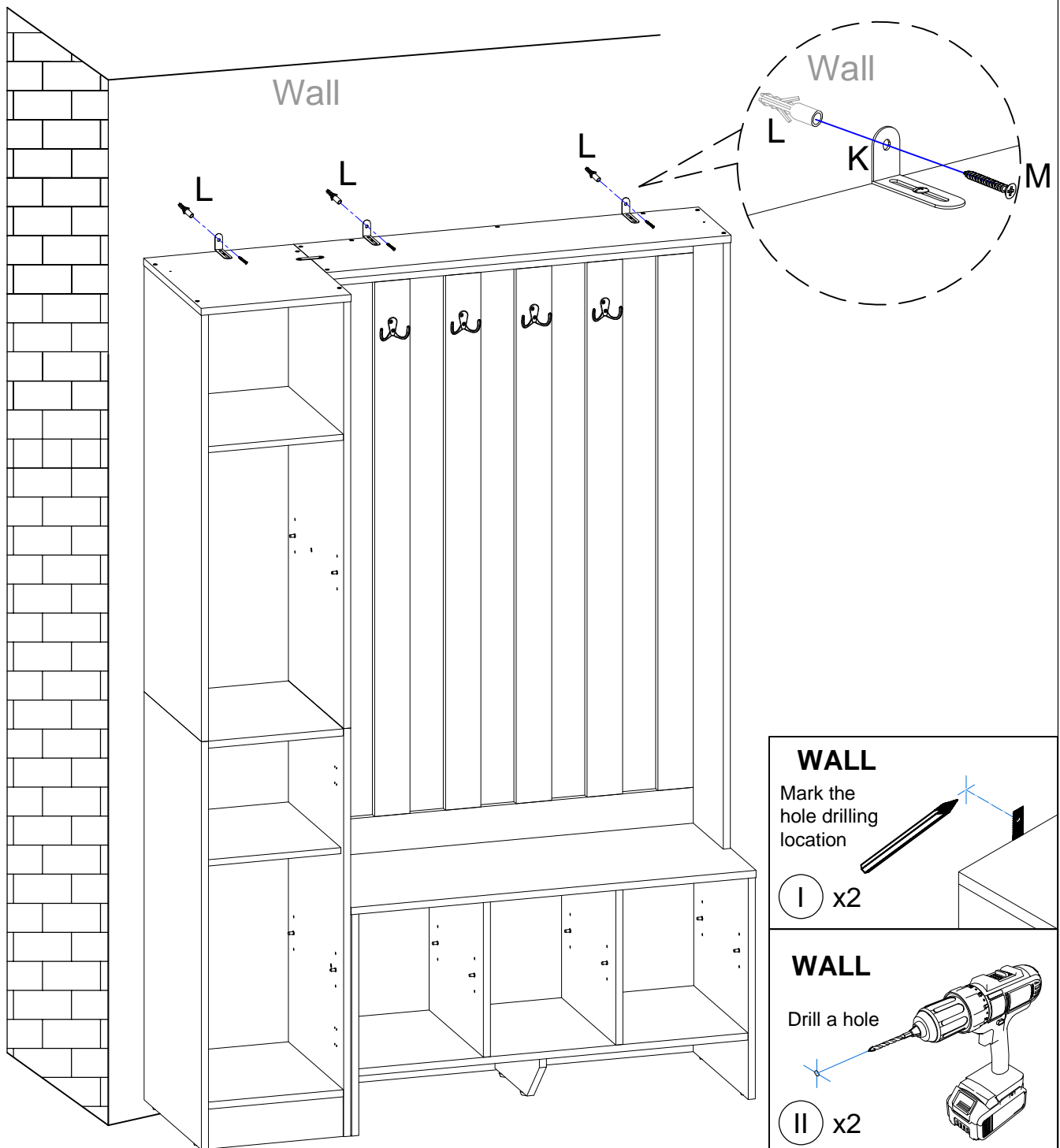
Option A



OR



Option B

**WALL**

Mark the
hole drilling
location

I x2

WALL

Drill a hole

II x2

WALL

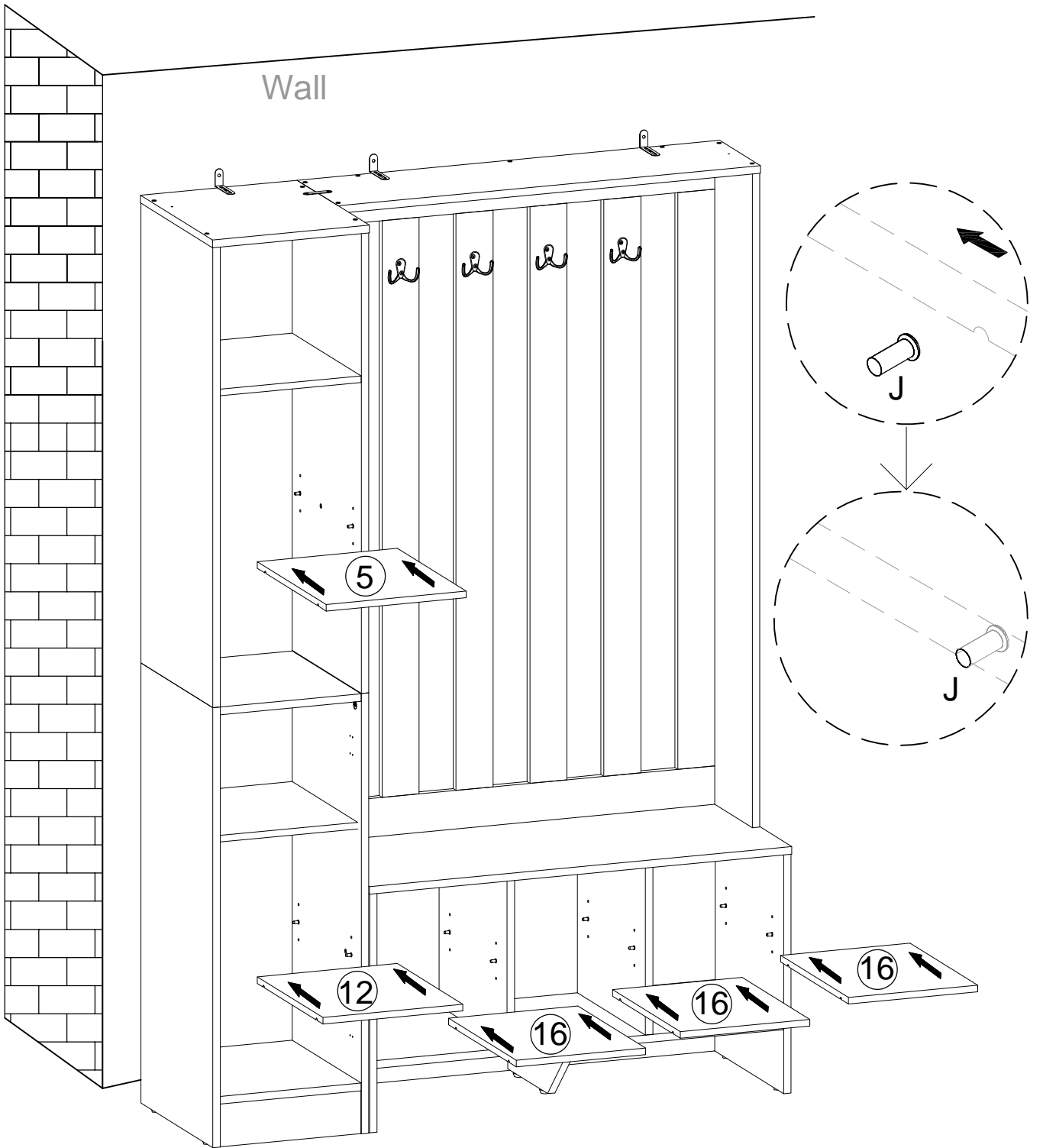
Use a hammer
to close
anchor (L)

III x2

Step1: determine the location of the anti-overturning on the wall and then mark the position after confirming the product has been balanced.

Step 2: drill the holes and then fixed the anchor (L) on the wall

Step 3: use screw (M) to fix the Pat (K) on the wall

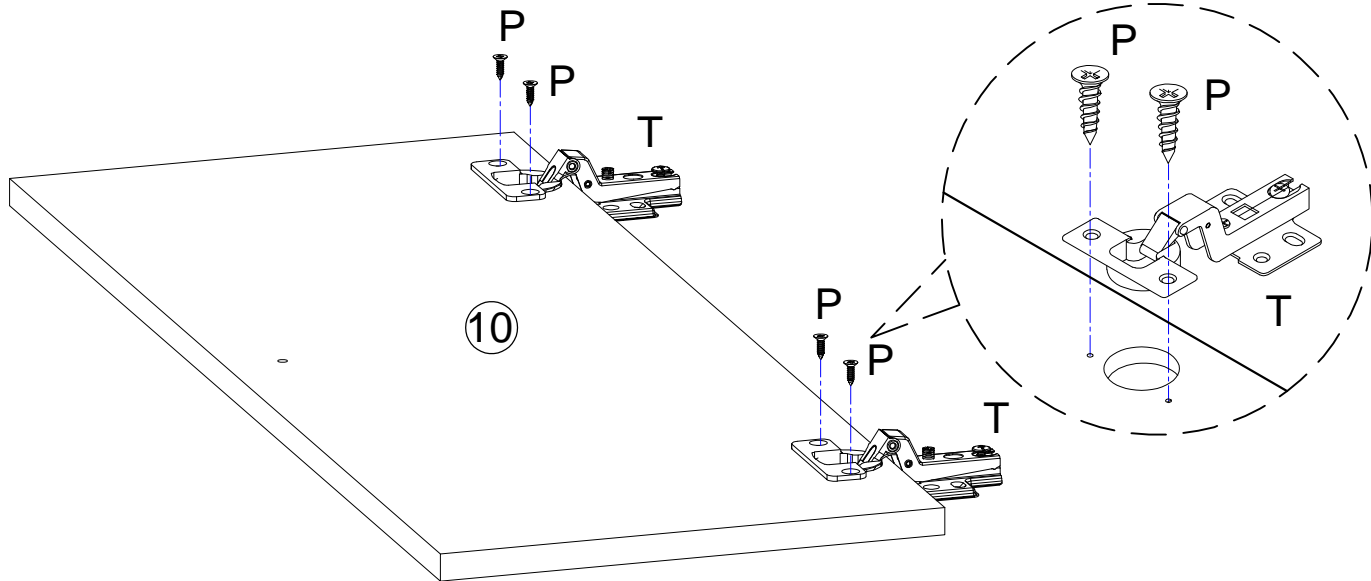


44

YOU WILL NEED

P x4

T x2

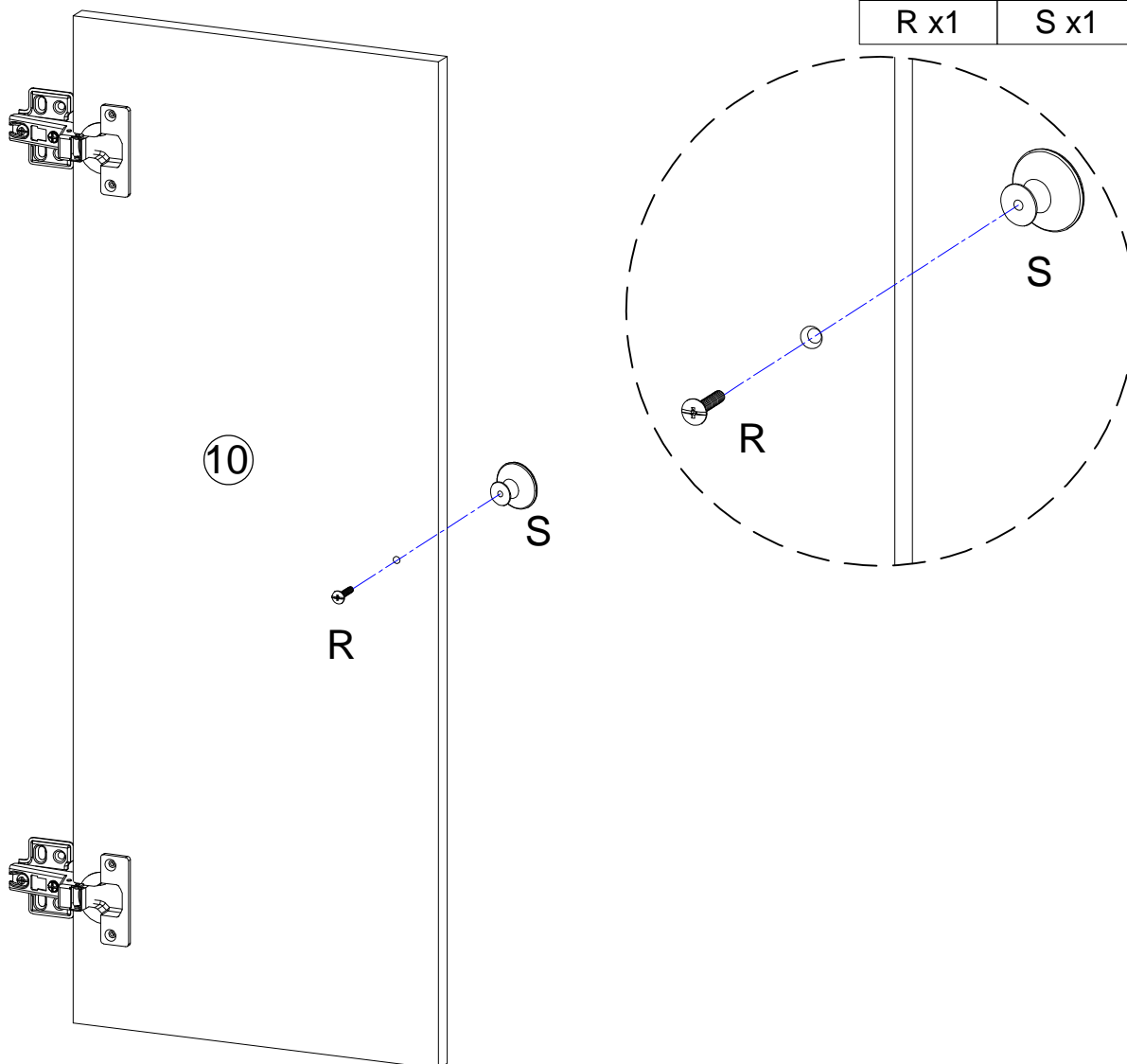


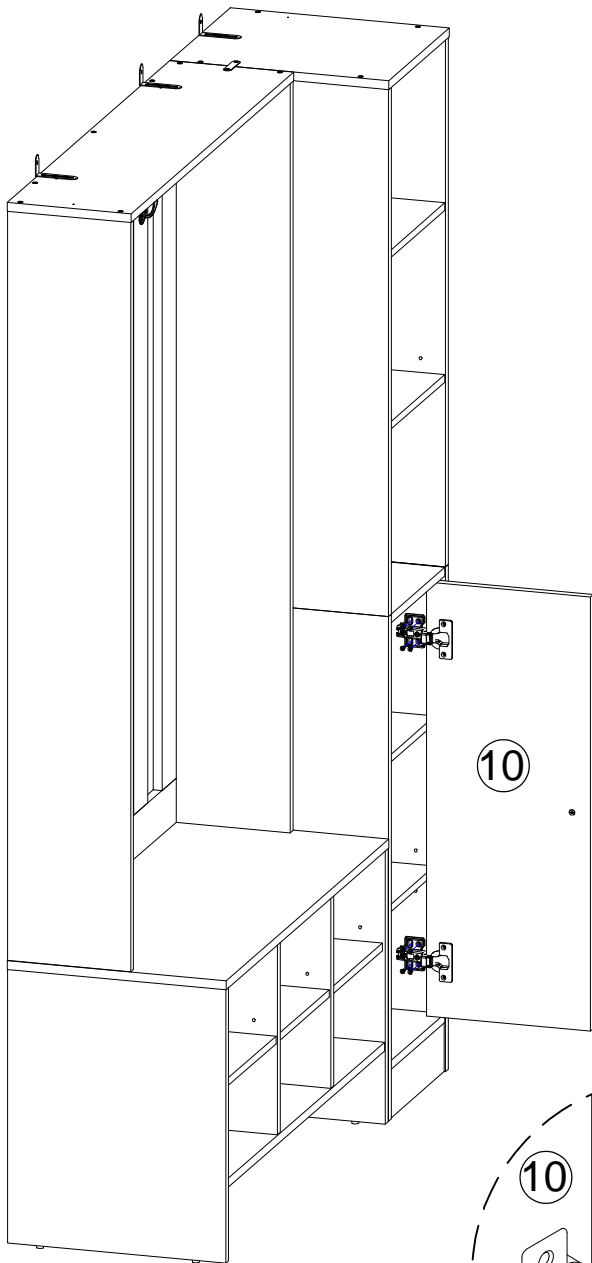
45

YOU WILL NEED

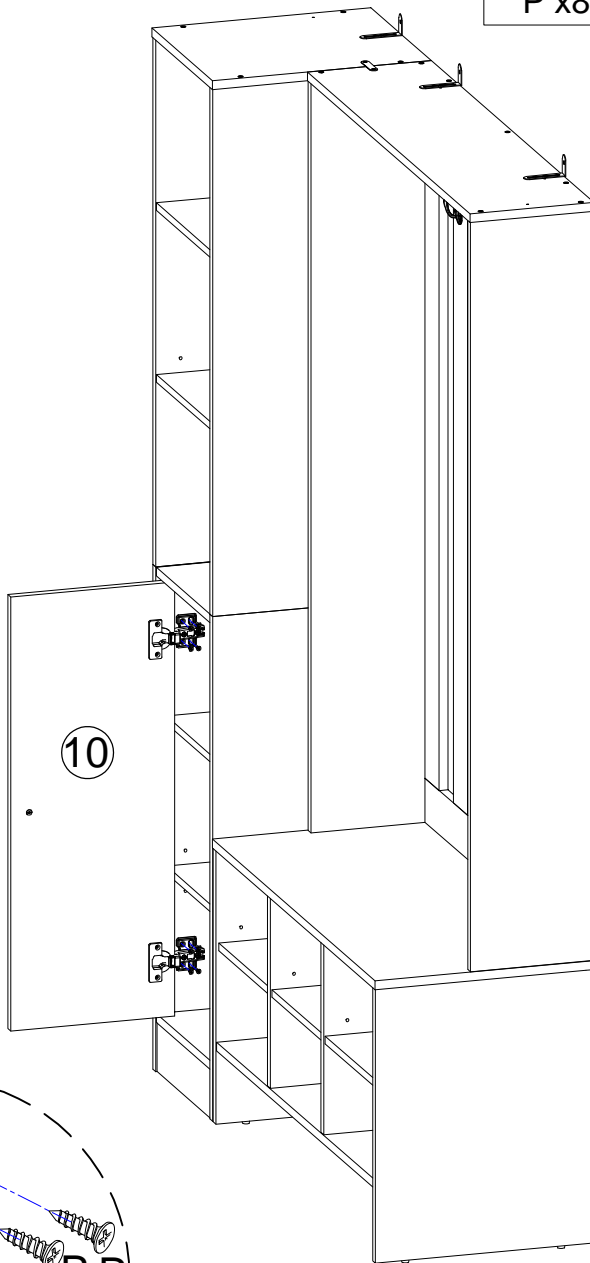
R x1

S x1



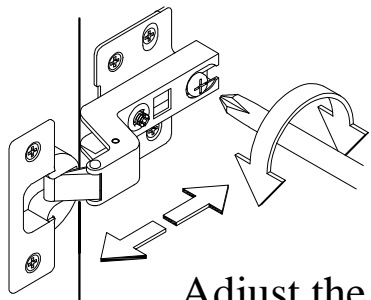
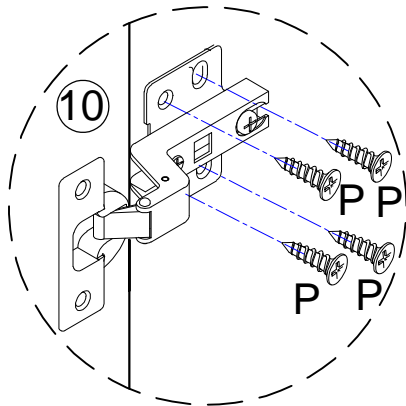


OR

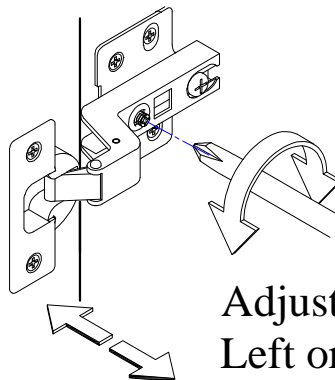


Option B

Option A

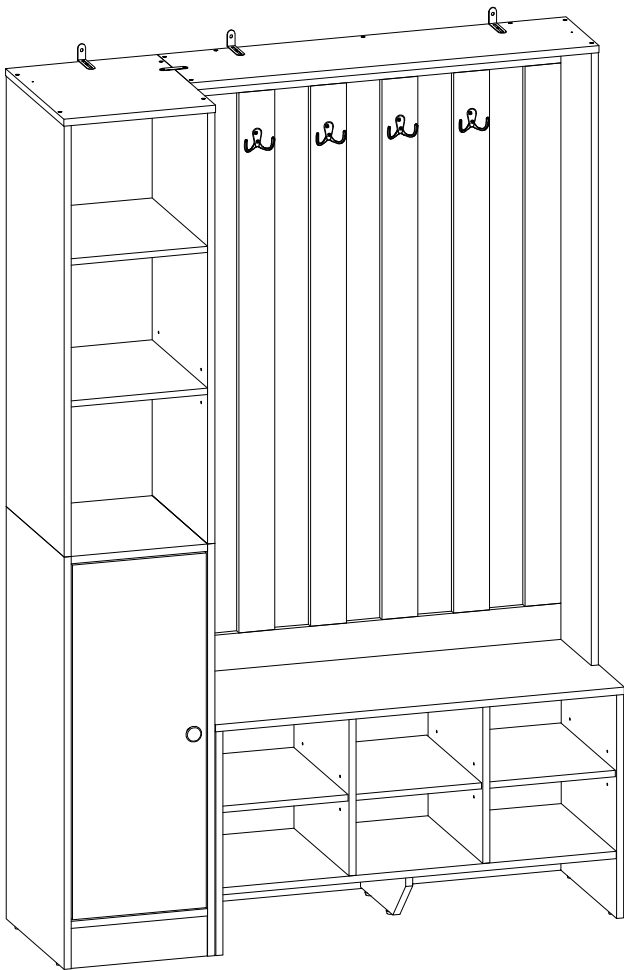


Adjust the door to
run Back or Front

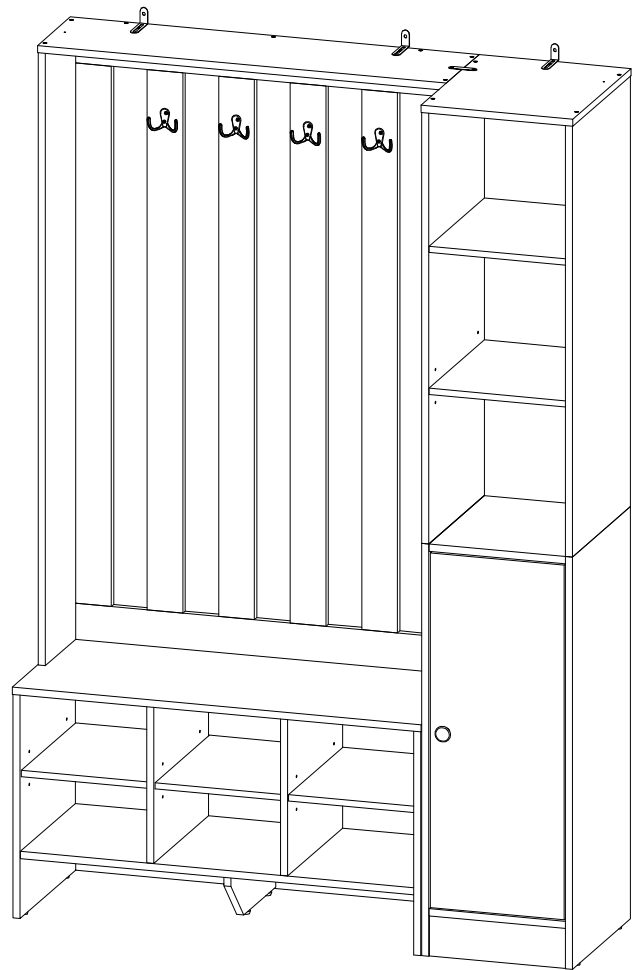


Adjust the door
Left or Right

Option A



Option B



GUARANTEE

Storage Cabinet offers a 90-days warranty that begins on the date of the original purchase and applies to problems caused by the manufacturer. For questions, assistance, or support, please contact the Customer Service by e-mail with your order number and details. We will send you further information about the solution.

Model: XG-002

Made in VIETNAM

