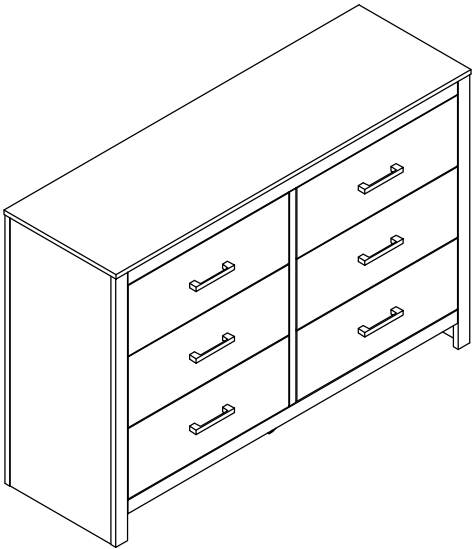
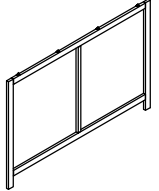
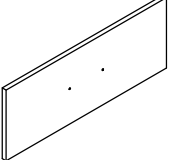
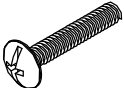
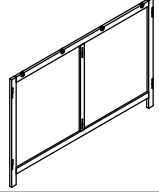
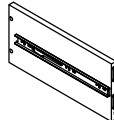
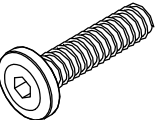
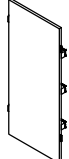
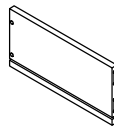
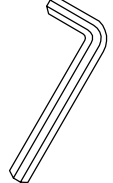
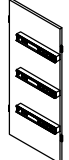
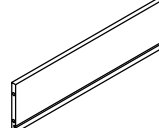


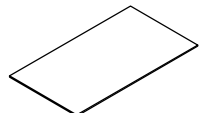
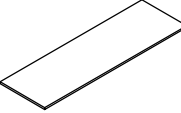
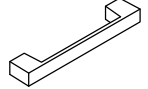
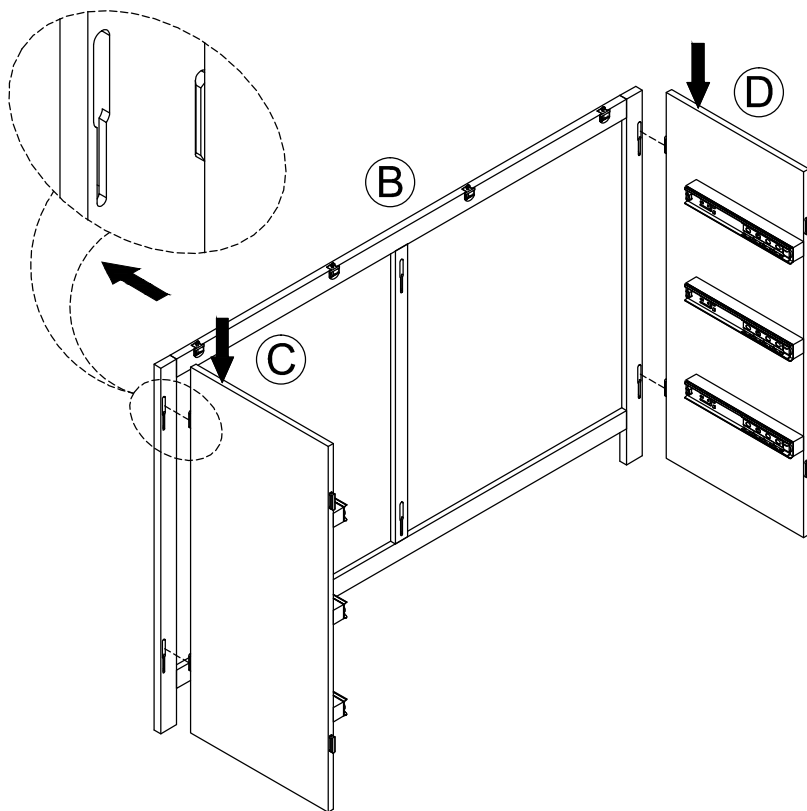


LUIGI 6-DRAWER 57"W DOUBLE DRESSER

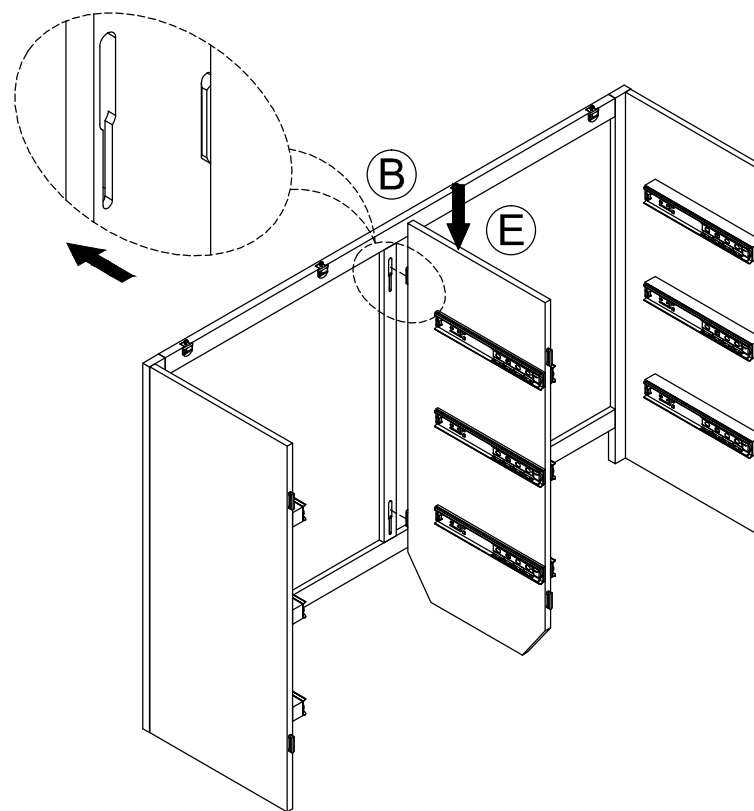
	 <p>A x1 Front Frame</p>	 <p>G x6 Drawer Front Panel</p>	 <p>2 x12 Handle Screw 22mm</p>
	 <p>B x1 Back Frame</p>	 <p>H x6 Drawer Left Side Panel</p>	 <p>3 x24 Allen Bolt 25mm</p>
	 <p>C x1 Left Side Panel</p>	 <p>I x6 Drawer Right Side Panel</p>	 <p>4 x1 Allen Wrench</p>
	 <p>D x1 Right Side Panel</p>	 <p>J x6 Drawer Back Panel</p>	 <p>5 x2 Tipping Restraint Hardware Kit</p>
	 <p>E x1 Center Panel</p>	 <p>K x6 Drawer Bottom Panel</p>	
	 <p>F x1 Top Panel</p>	 <p>1 x6 Handle</p>	



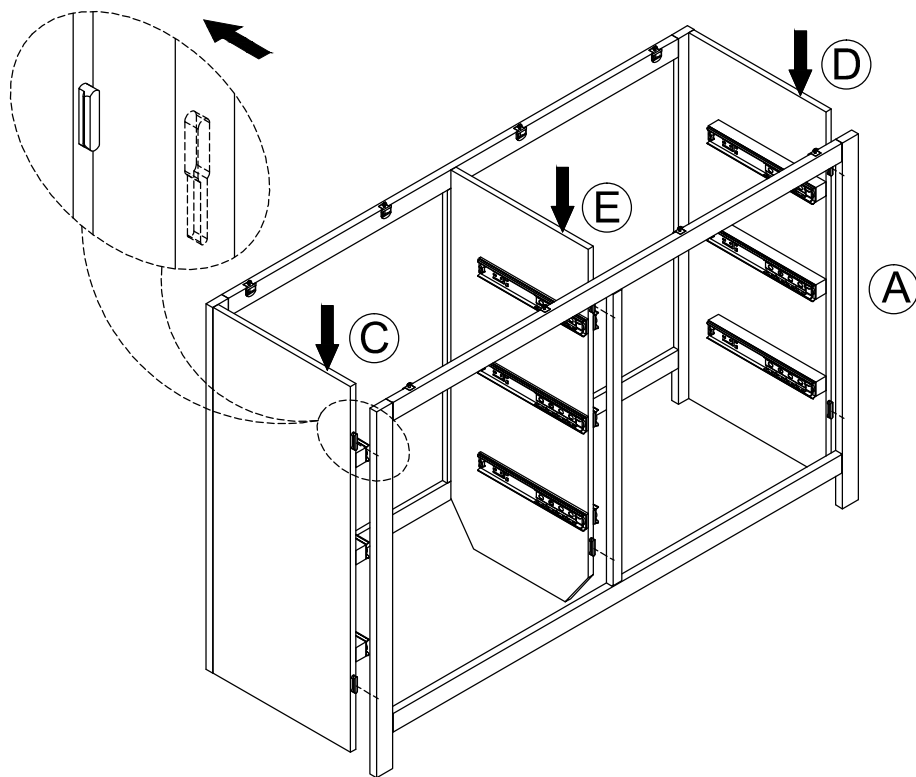
Step 1. Attach the left side panel (C) and the right side panel (D) to the back frame (B) by placing the plastic pieces into the slots and sliding the side panels (C,D) toward down.



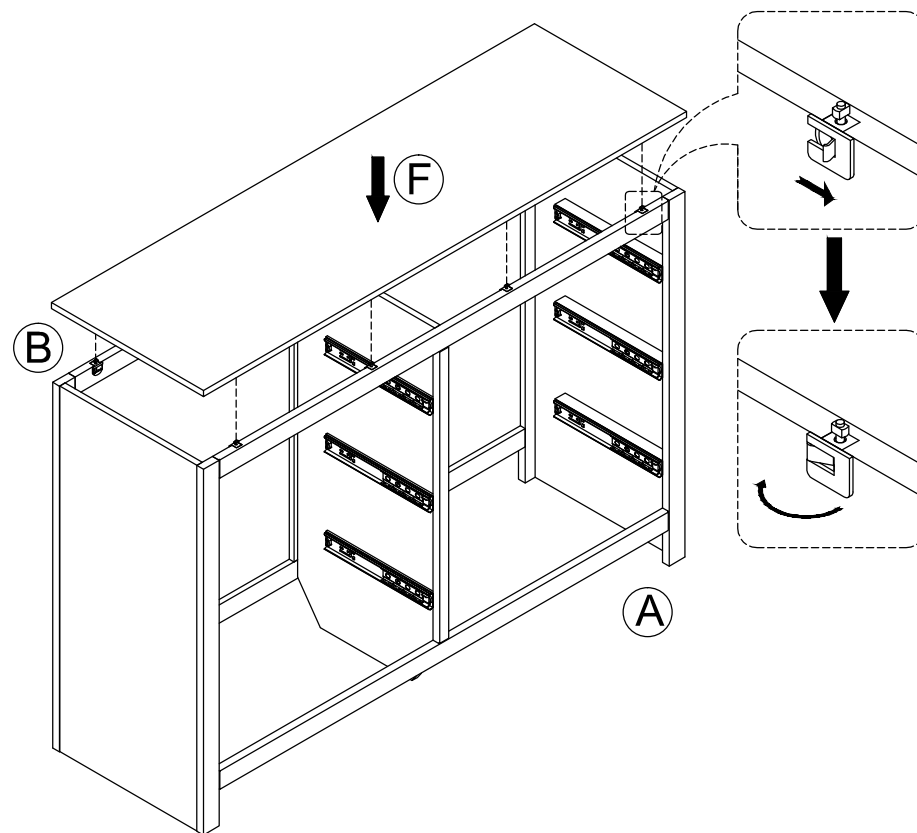
Step 2. Secure the center panel (E) to the back frame (B) placing the plastic pieces into the slots and sliding the center panel (E) toward down.



Step 3. Attach the front frame (A) to the center and side panels (C,D,E) by placing the plastic pieces into the slots and sliding the center and side panels (C,D,E) toward down.

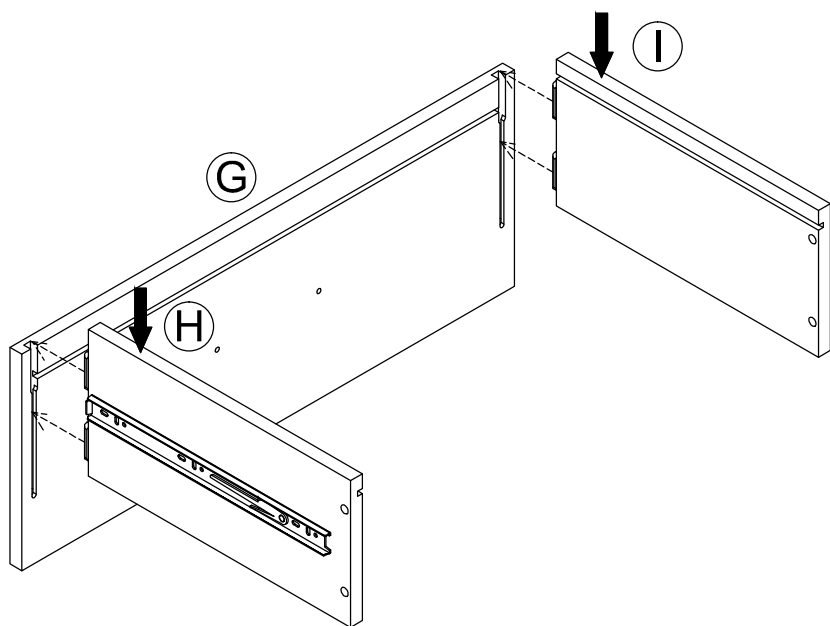


Step 4. Attach the top panel (F) onto the back frame (B) and the front frame (A) and flip the levers on the frame to the "closed" position.

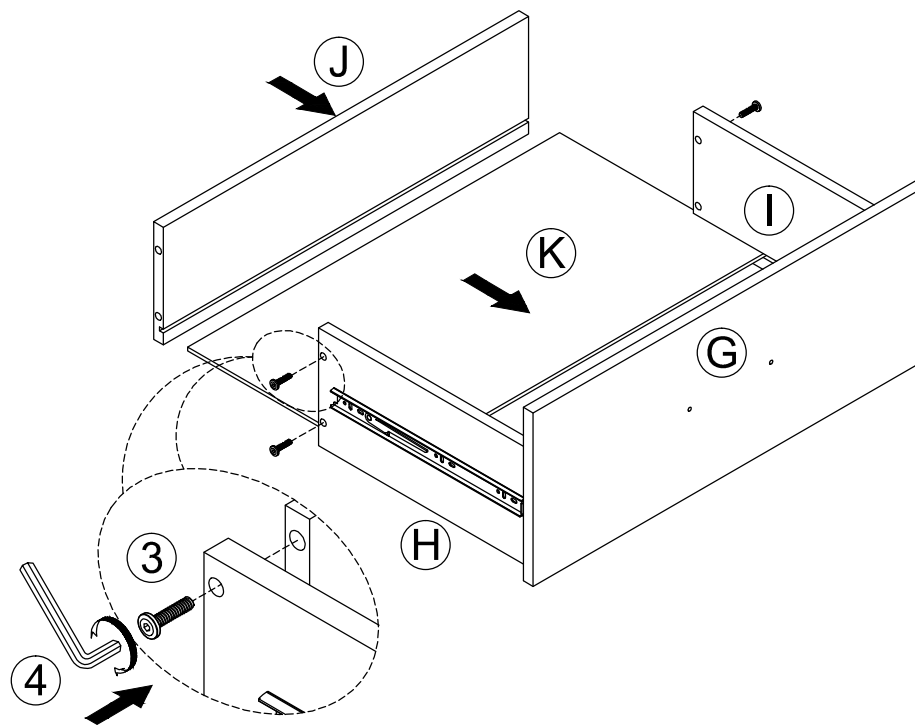


Step 5. Attach the left drawer side (H) and the right drawer side (I) to the drawer front (G) by placing the plastic pieces into the slots and sliding the drawer sides (H,I) toward down.

Note: make sure the metal tracks are facing outward and the bottom panel groove is aligned on all pieces.

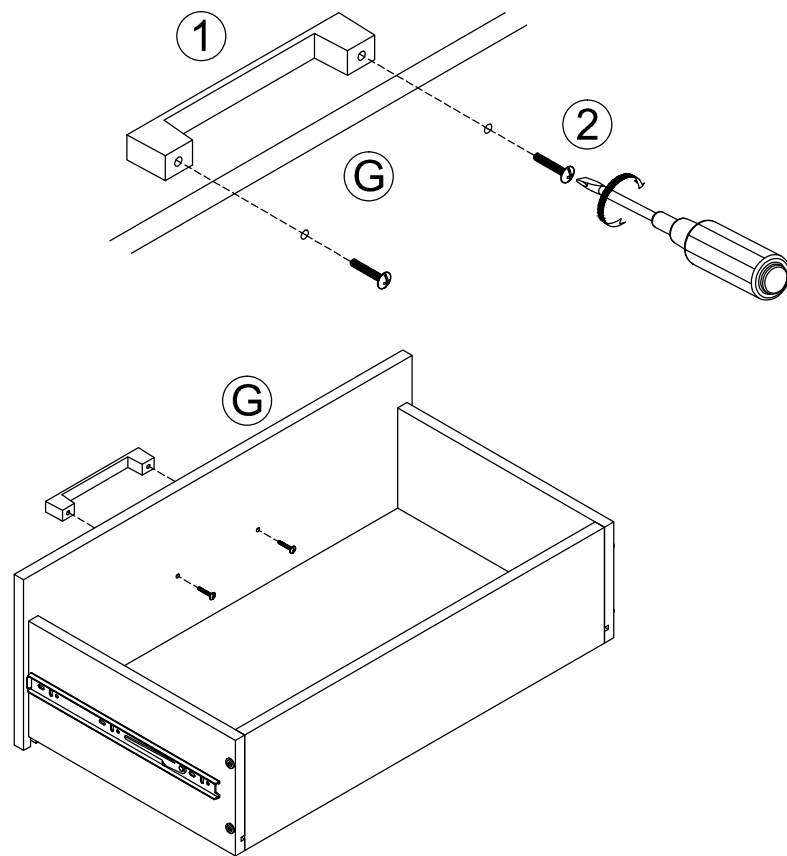


Step 6. Slide the drawer bottom panel (K) into place. Then, attach the drawer back (J) to the drawer sides (H,I) using Allen bolts (3) and Allen Wrench (4).



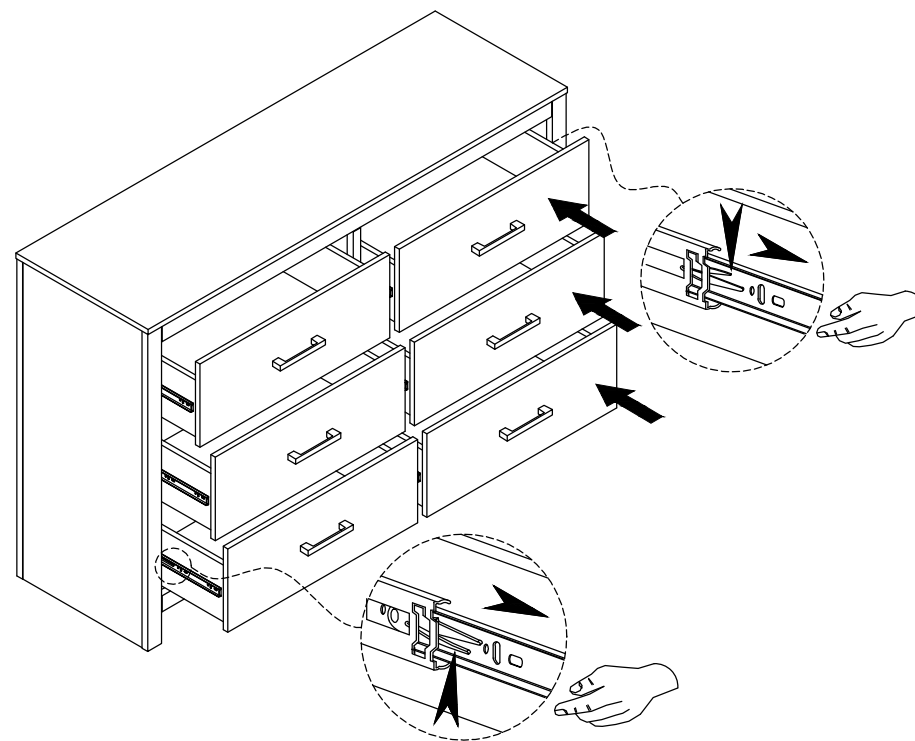
Step 7. Attach a handle (1) to the drawer front (G) using the handle screw (2) and Phillips screwdriver.

Repeat steps 5-7 for each drawer.



Step 8. Place the drawers into the dresser frame on the metal tracks and slowly work the drawer into place until fully closed.

To remove the drawers, use the lever release. Pull the drawer out as far as possible, and you'll see a plastic lever on each side. Pull one lever up and push the other down to remove the drawer.



Step 9. Attach a bracket securely to the back top rail of the dresser using the 5/8" screw provided, through the smaller hole.

Locate the other bracket on the wall over a wall stud and 2 inches below the mounting bracket secured to the back of your unit. Attach the wall stud using the 2" screw provided, through the smaller hole.

Place the dresser into position so both mounting brackets are vertically inline.

Lace the end of the restraint strap through the larger hole in each mounting bracket. Bring both ends together and slice the flat end through the locking end and draw it through until all slack is removed.

Confirm that the strap is securely laced and locked.

