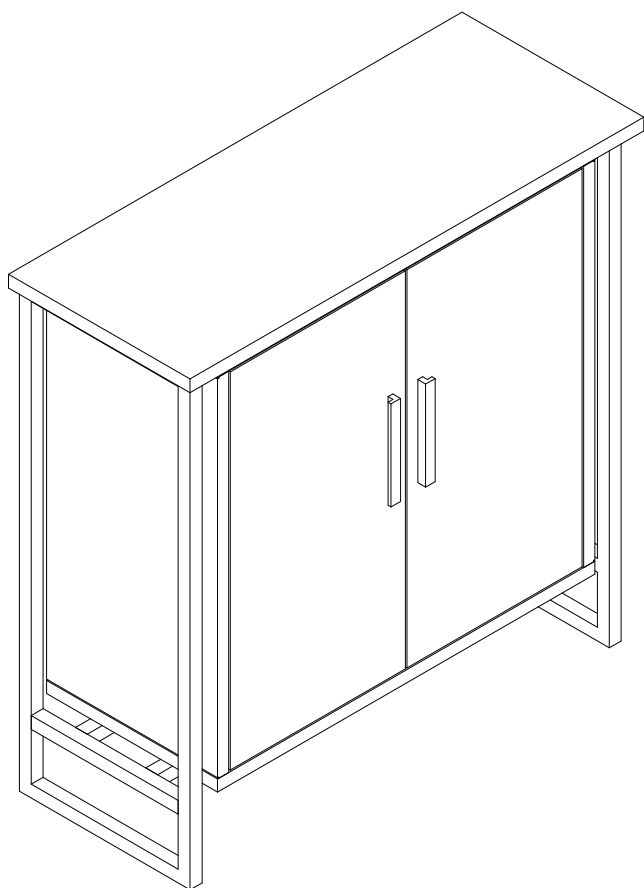


Thank you for purchasing Leick Furniture products.
Contact customer service for comments or concerns.


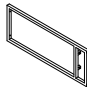
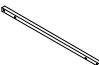





Assembly Instructions, #10140 Talía Foyer Cabinet

Note:

A packet with complete set of hardware can be found by pulling the red ribbon that's easily visible upon opening the box.

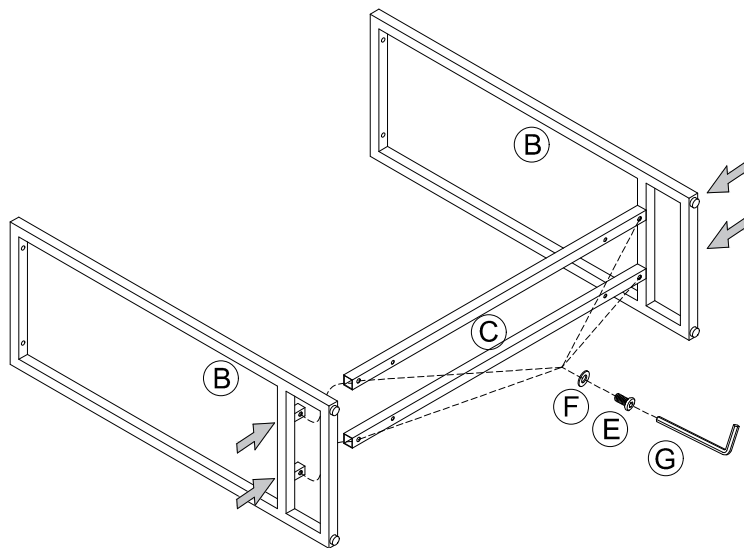


Parts and Hardware List

A	Cabinet		1
B	Side Frames		2
C	Bottom Rails		2
D	Long Bolts		8
E	Short Bolts		4
F	Flat Washers		12
G	Allen Wrench		1
H	Anti-tipping kit		1

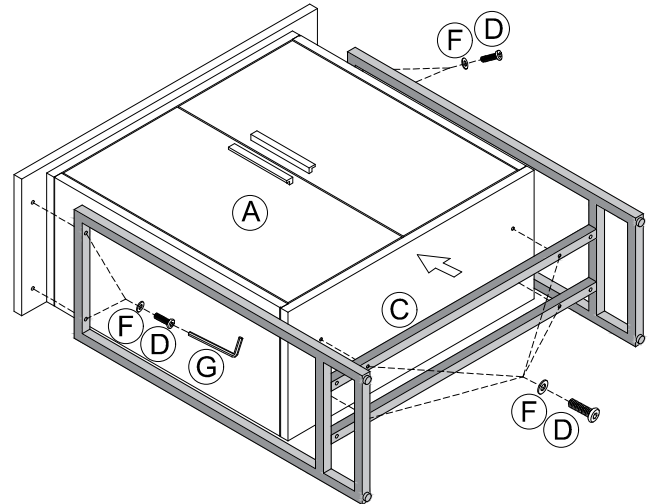
Step 1

- 1.1 Insert bottom rails (C) into one side frame (B) tubes, push to make sure not to leave any gap before fastening with 2 bolts and flat washers.
- 1.2 Do the same step as 1.1 on the other side frame.



Step 2

- 2.1 Place the cabinet with doors facing up on a soft surface.
- 2.2 Fasten the bottom rails of assembled side frames to the cabinet's bottom panel with four bolts and washers.
- 2.3 Fasten the side frame into top panel with four bolts and washers.



Step 3

- 3.1 Place the assembled piece upright and adjust the levelers at the bottom of legs if needed.
- 3.2 Fasten one part of the anti-tipping kit onto pre-drilled holes of back panel and another part into the wall. Loop the strap through the holes of the fastened parts and pull its end to tighten.

