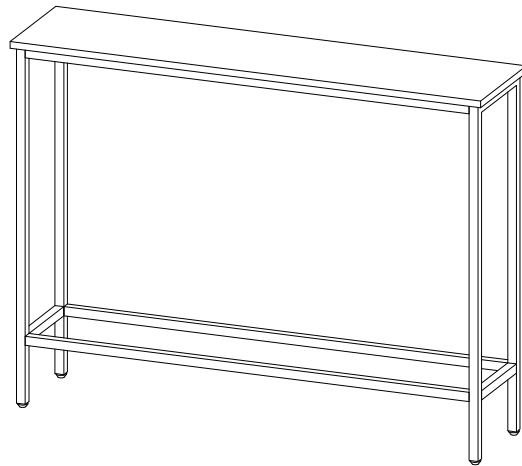
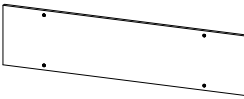
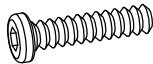
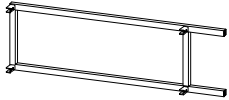





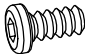



Assembly Instructions

Console



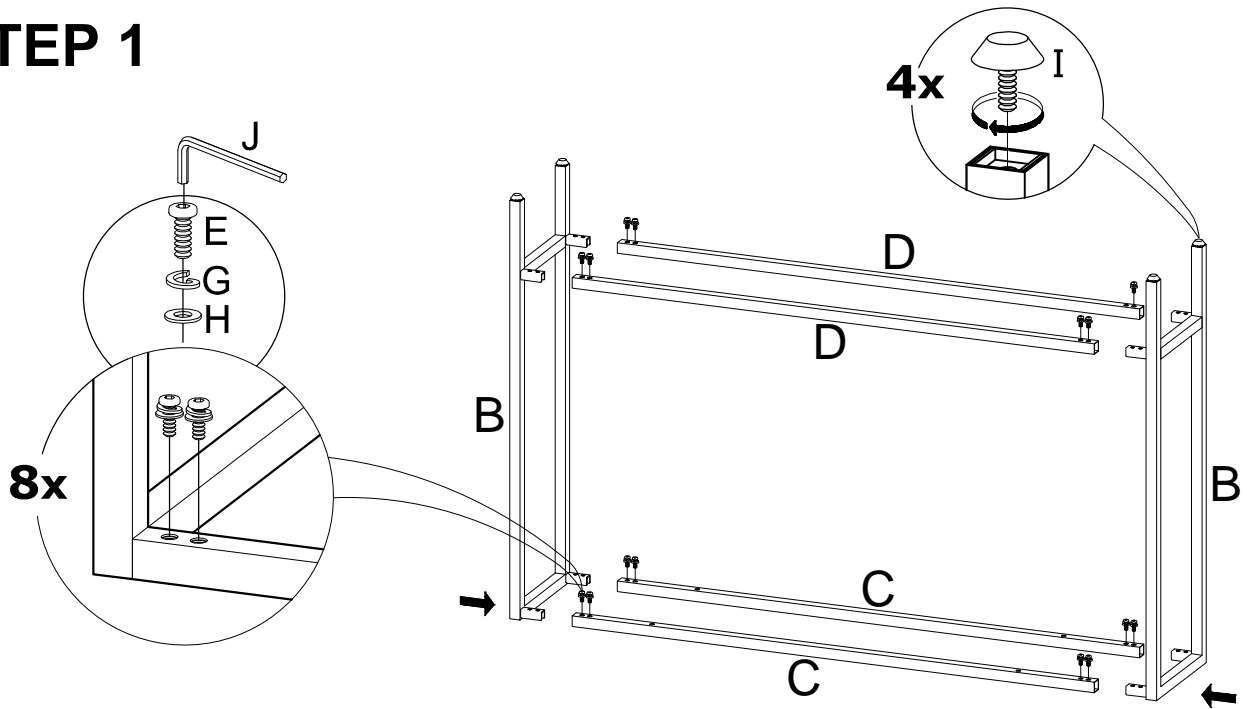
Thank you for purchasing a Living company product. This product has been designed for easy assembly and is constructed for durability. Please take the time to read and follow the assembly instructions carefully. If a part or hardware is missing or you have any difficulties in assembling this product, please contact us.

NO.	PART	DESCRIPTION	Q'TY	NO.	PART	DESCRIPTION	Q'TY
A		Top Panel	1PC	F		Allen Head Bolt 30mm	4PCS
B		Leg Assembly	2PCS	G		Spring Washers	16PCS
C		Top Support Tubes	2PCS	H		Flat Washers	16PCS
D		Bottom Support Tubes	2PCS	I		Adjustable Glide	4PCS
E		Allen Head Bolt 15mm	16PCS	J		Allen Head Wrench	1PC

Assembly Instructions

Console

STEP 1



STEP 2

