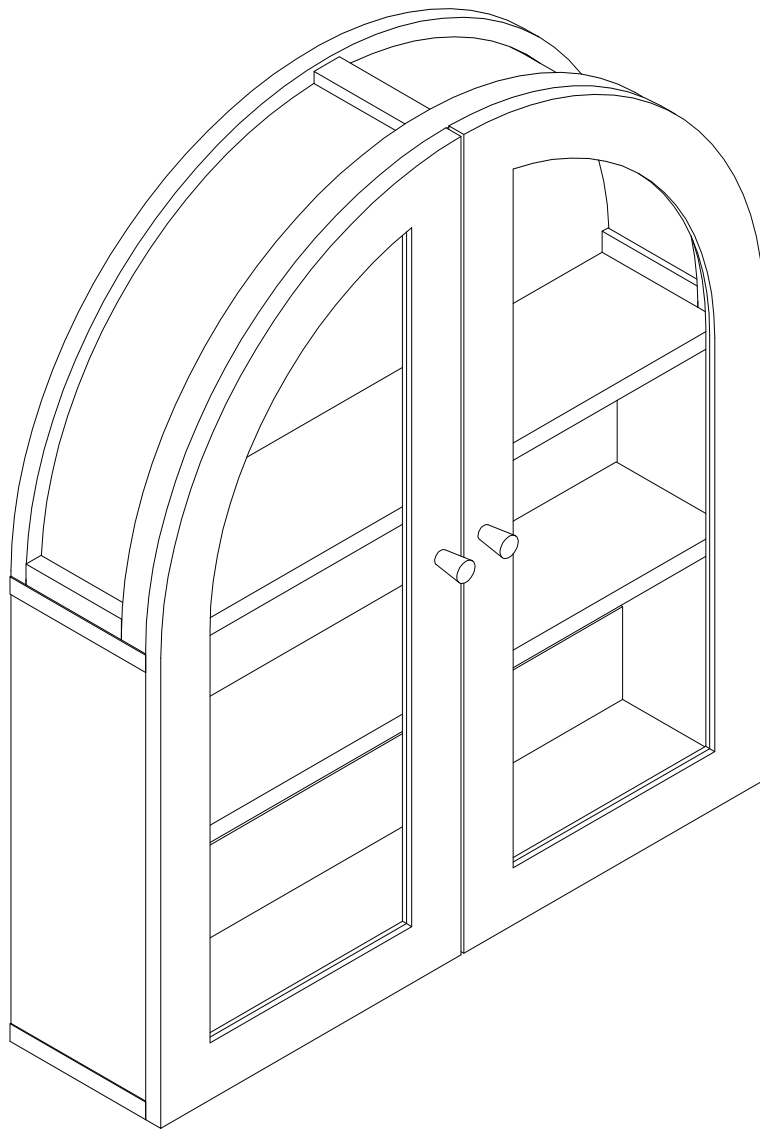


Assembly Instructions

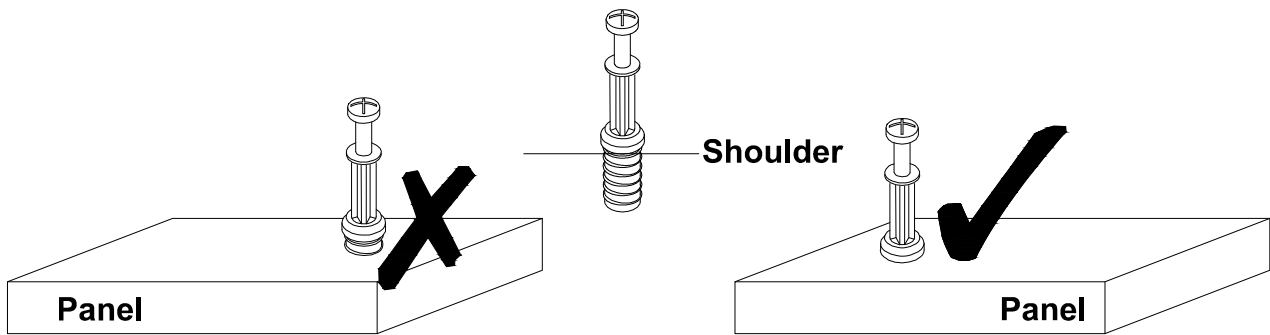


Before Assembly

Tips Before Your Start:

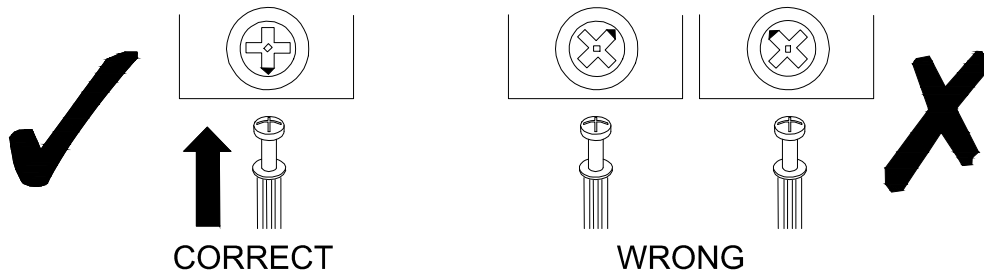
- Remove all wrapping material, including staples & packing straps before you start to assemble.
- DO NOT tighten all screws and bolts until the assembly is completely assembled.
- Keep all hardware parts out of reach of children.

QUICKFIT



Tighten quickfit until shoulder is flush with panel. Do not overtighten or undertighten.

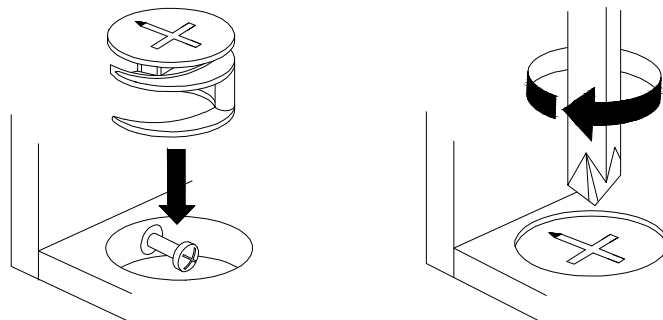
CAM LOCK



When fitting a cam lock, ensure the starting position is correct before inserting the connecting QUI CKFIT

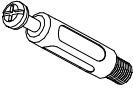


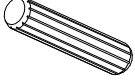
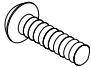
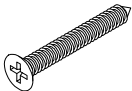
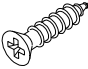
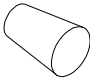
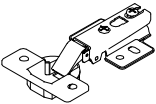
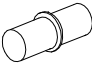
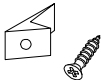
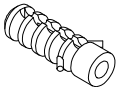
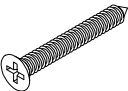
Quickfit head should be in the centre of the cam lock when the two panels are joined.

Cam lock should be inserted before quickfit.

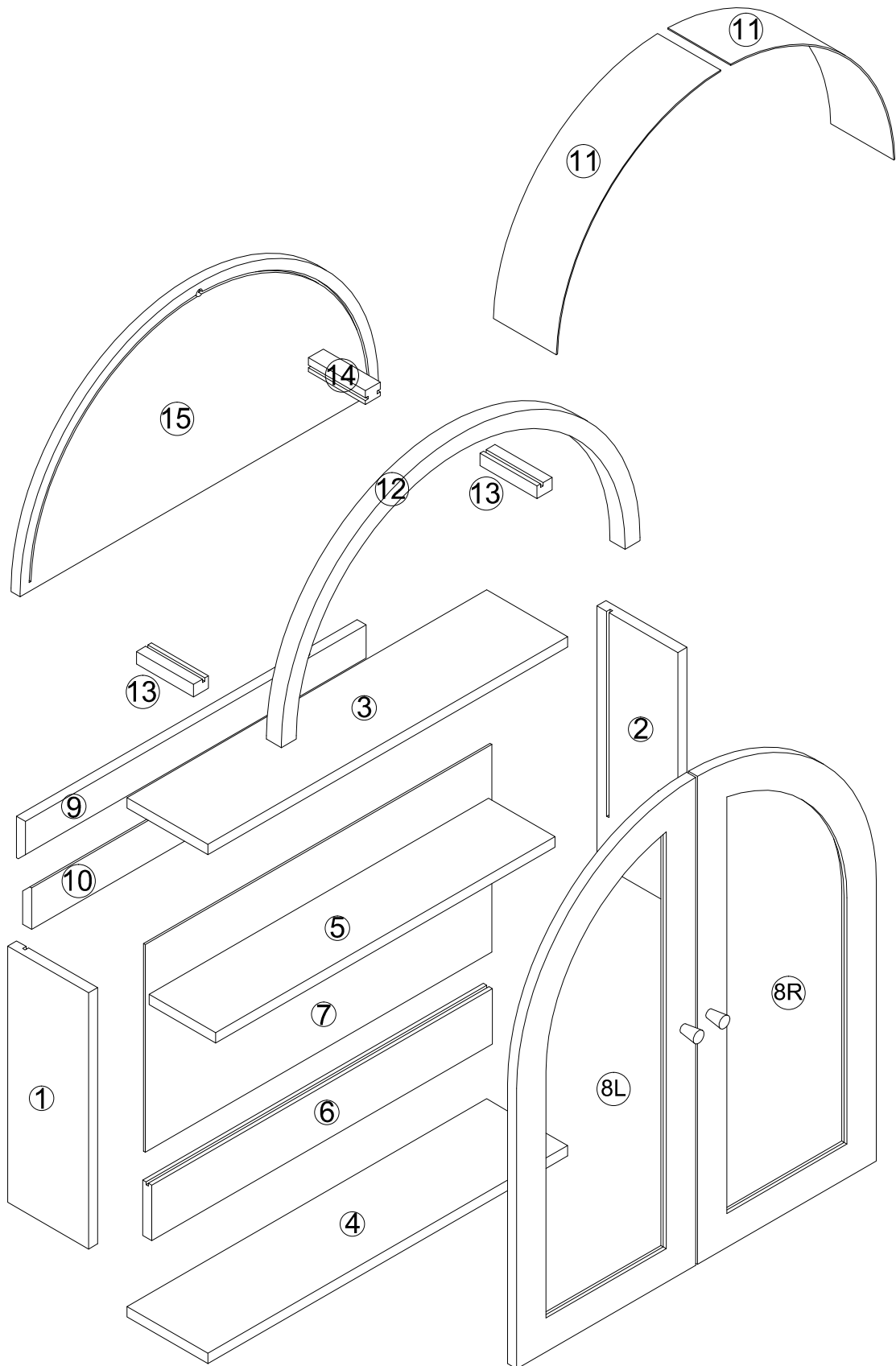


Turn cam lock clockwise to tighten.

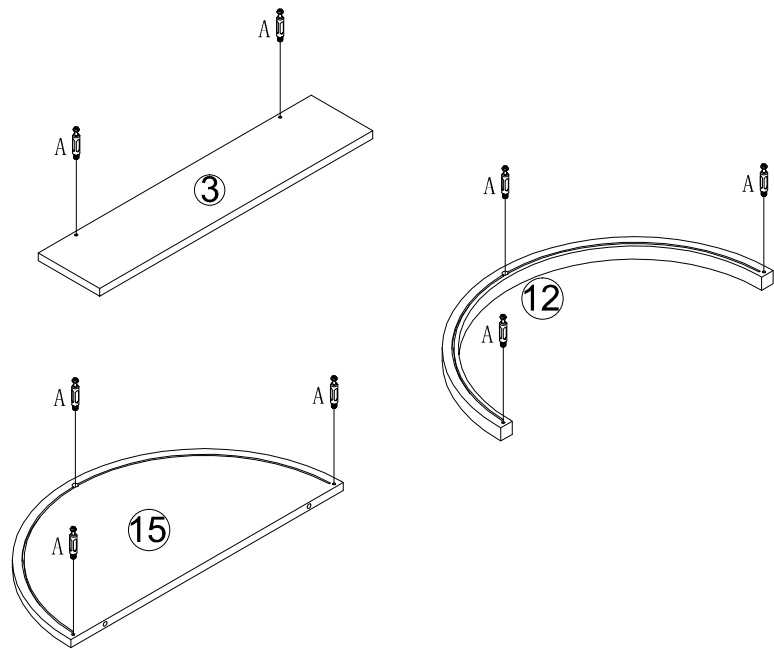
Part List

<p>No. A Quantity:26 Pcs Cam Lock Dowel 8*28mm</p> 	<p>No. B Quantity:26 Pcs Cam φ15</p> 	<p>No. C Quantity:26 Pcs Sticker Ø20</p> 	<p>No. D Quantity:4 Pcs Dowel 8*30mm</p> 
<p>No. E Quantity:2 Pcs Screw M4*20mm</p> 	<p>No. F Quantity:2 Pcs Screw M4*30mm</p> 	<p>No. G Quantity:24 Pcs Screw M3.5*14mm</p> 	<p>No. H Quantity:2 Pcs Handle Ø20*23mm</p> 
<p>No. I Quantity:4 Pcs Hinge</p> 	<p>No. J Quantity:4 Pcs Shelf Support</p> 	<p>No. K Quantity:4 Sets Plastic Wedge</p> 	<p>No. L Quantity:3 Pcs Expansion bolt M8*40mm</p> 
<p>No. M Quantity:3 Pcs Screw M5*60mm</p> 			

Product structure



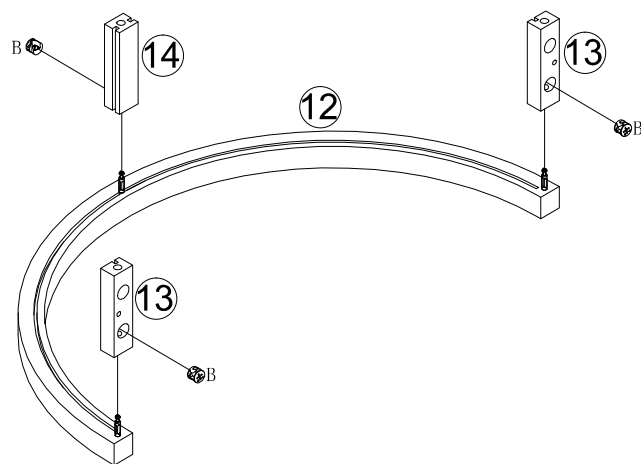
STEP 1



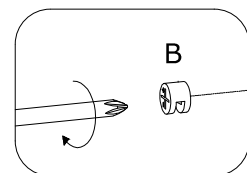
No. A
Quantity: 8 Pcs
8*28 mm



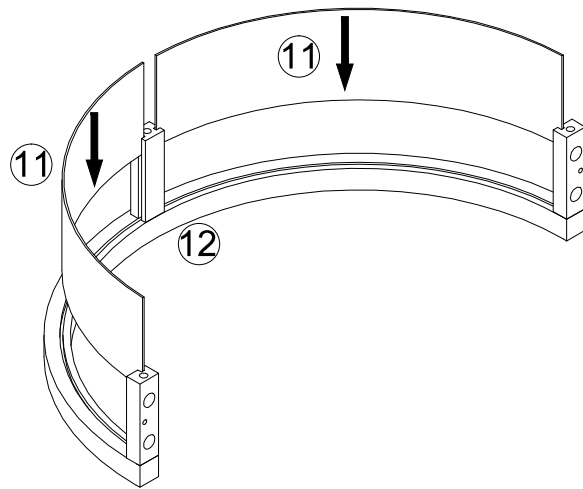
STEP 2



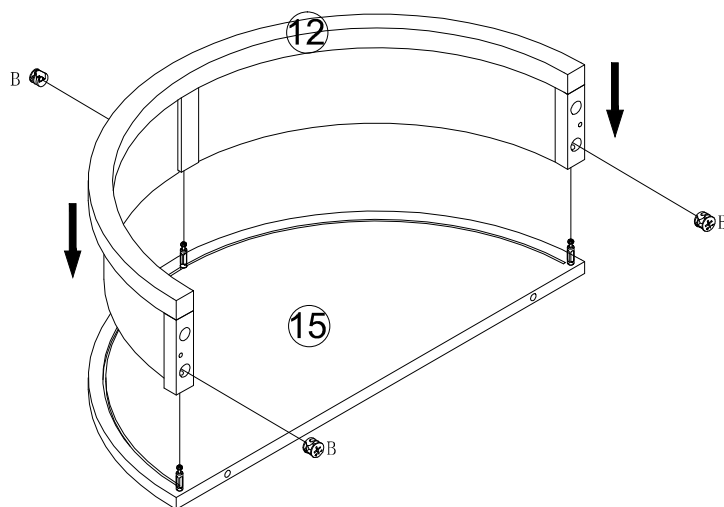
No. B
Quantity: 3 Pcs
Ø15



STEP 3



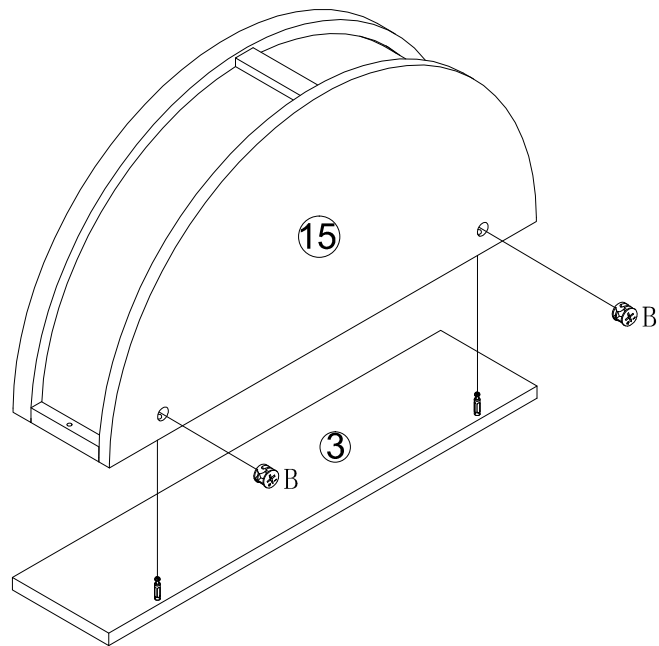
STEP 4



No. B
Quantity: 3 Pcs
Ø15



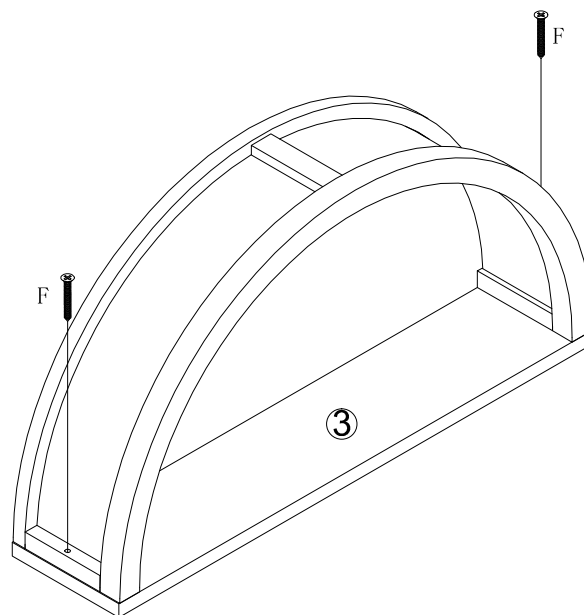
STEP 5



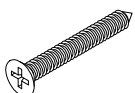
No. B
Quantity: 2 Pcs
Ø15



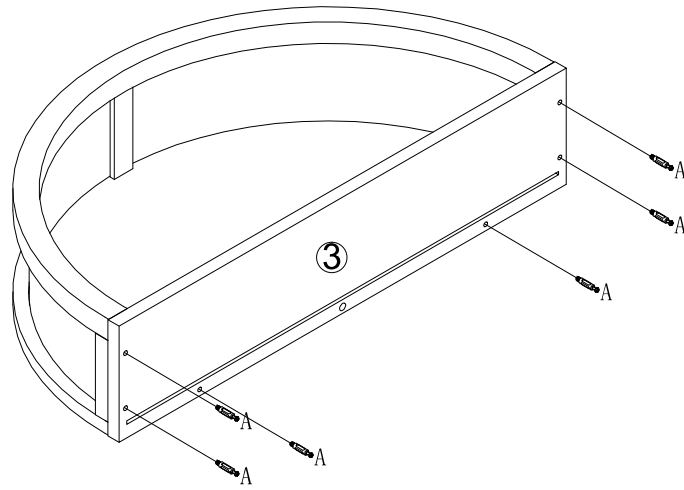
STEP 6



No. F
Quantity: 2 Pcs
M4*30mm



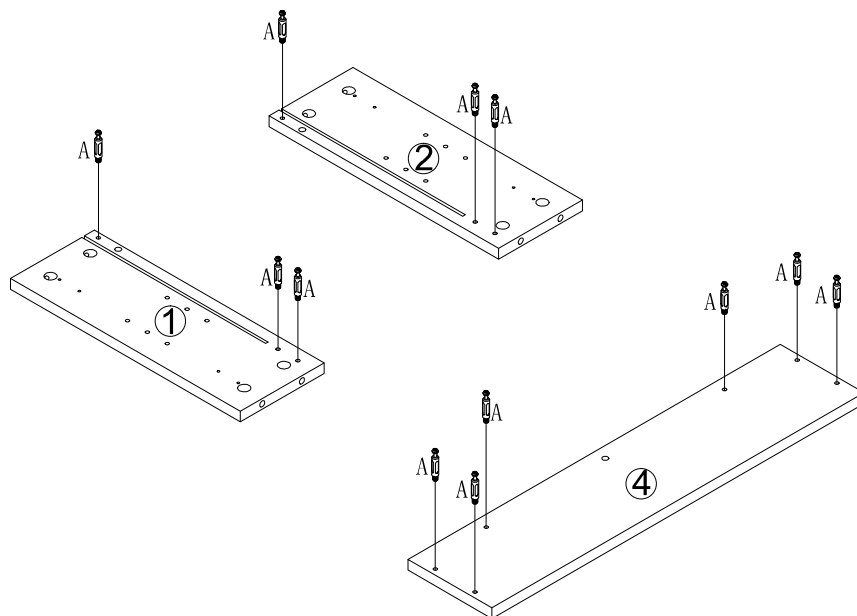
STEP 7



No. A
Quantity: 6 Pcs
8*28 mm



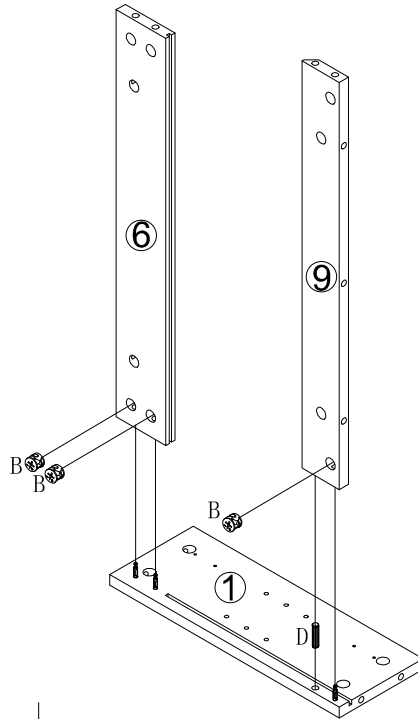
STEP 8



No. A
Quantity: 12 Pcs
8*28 mm



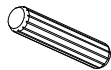
STEP 9



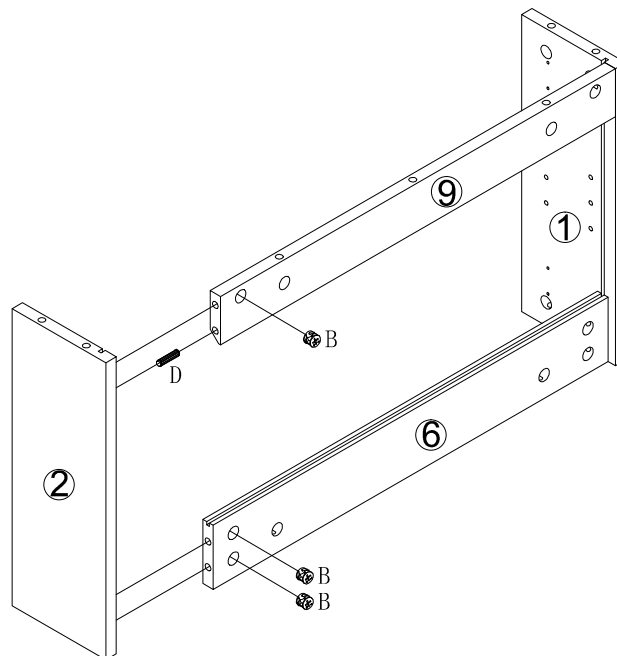
No. B
Quantity: 3 Pcs
Ø15



No. D
Quantity: 1 Pcs
8*30mm



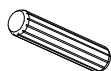
STEP 10



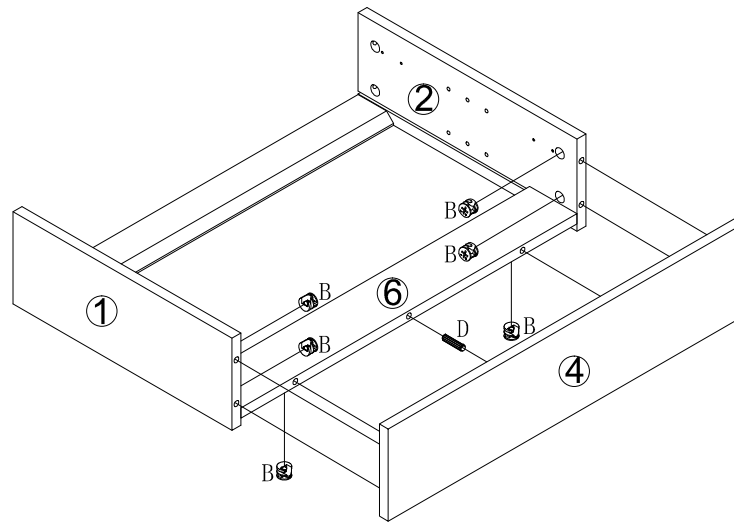
No. B
Quantity: 3 Pcs
Ø15



No. D
Quantity: 1 Pcs
8*30mm



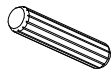
STEP 11



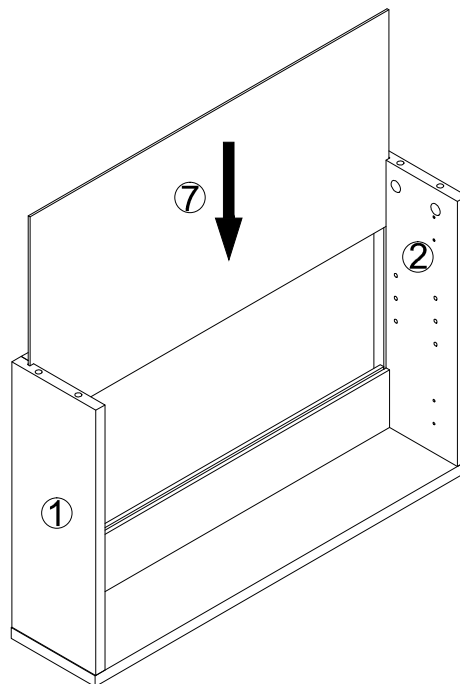
No. B
Quantity: 6 Pcs
Ø15



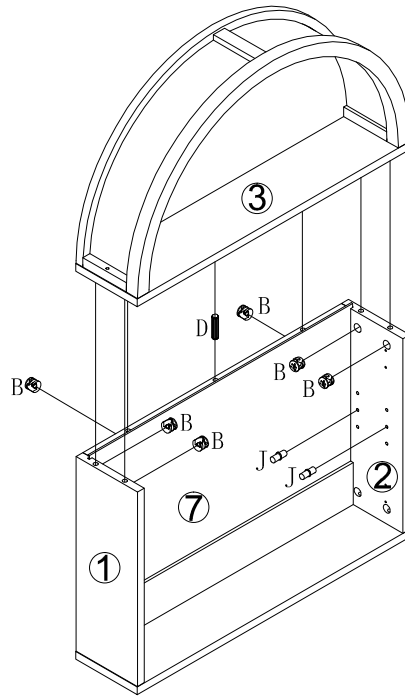
No. D
Quantity: 1 Pcs
8*30mm



STEP 12



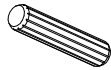
STEP 13



No. B
Quantity: 6 Pcs
Ø15



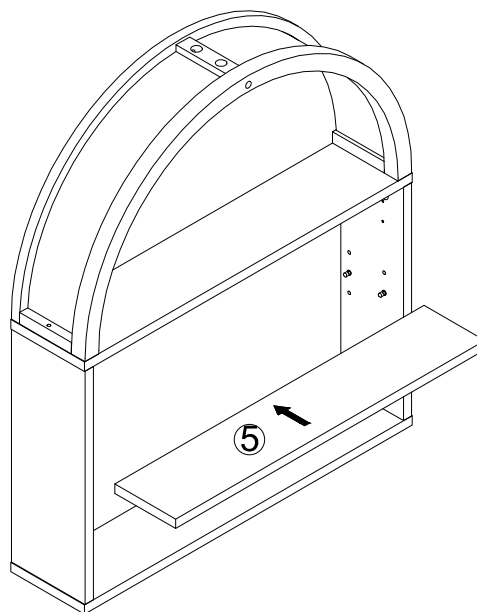
No. D
Quantity: 1 Pcs
8*30mm



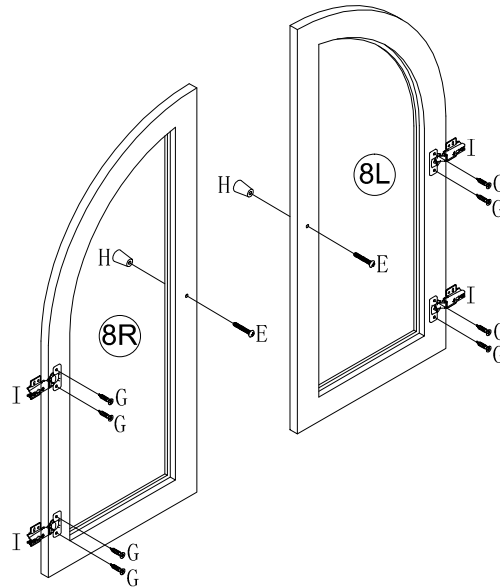
No. J
Quantity: 4 Pcs



STEP 14



STEP 15



No. E
Quantity: 2 Pcs
M4*20mm



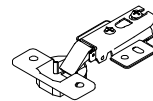
No. G
Quantity: 8 Pcs
M3.5*14mm



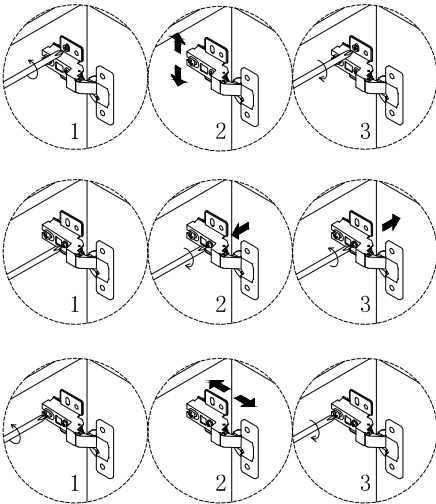
No. H
Quantity: 2 Pcs
Ø20*23mm



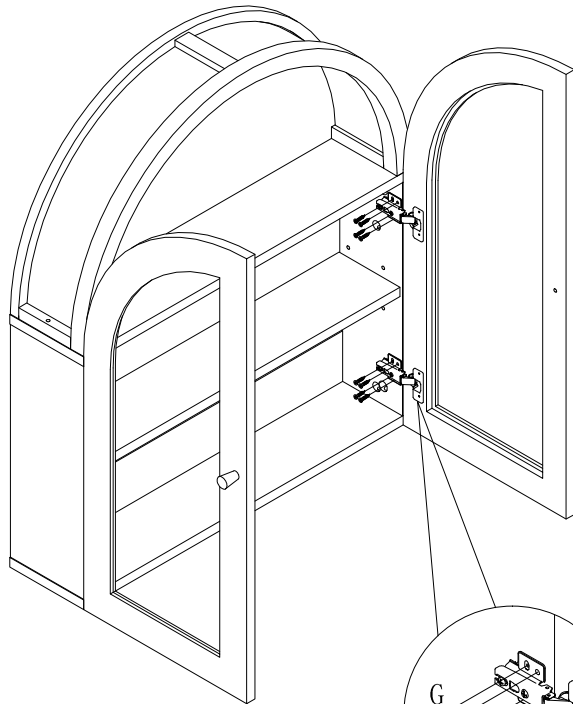
No. I
Quantity: 4 Pcs



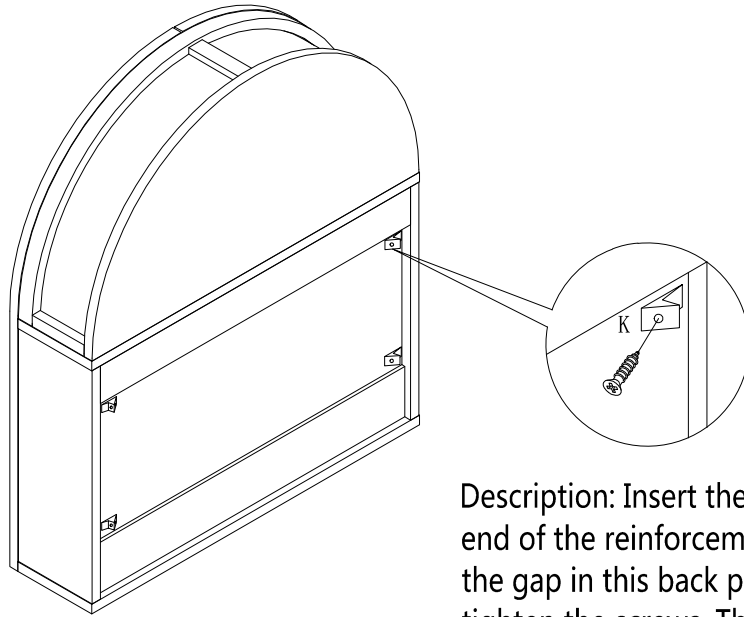
STEP 16



No. G
Quantity: 16 Pcs
M3.5*14mm

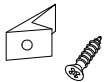


STEP 17

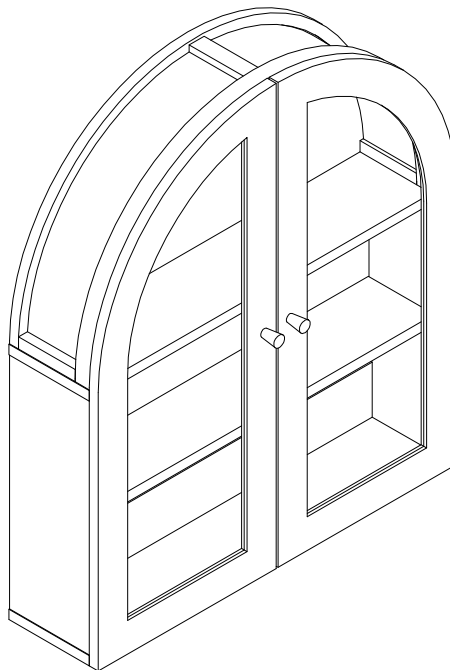


Description: Insert the thinner end of the reinforcement into the gap in this back panel, then tighten the screws. This will make the cabinet more stable.

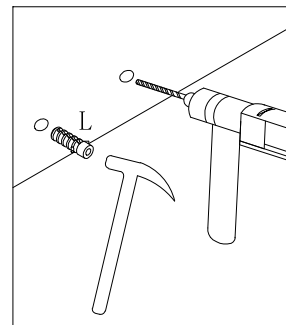
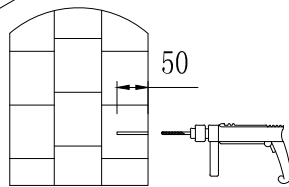
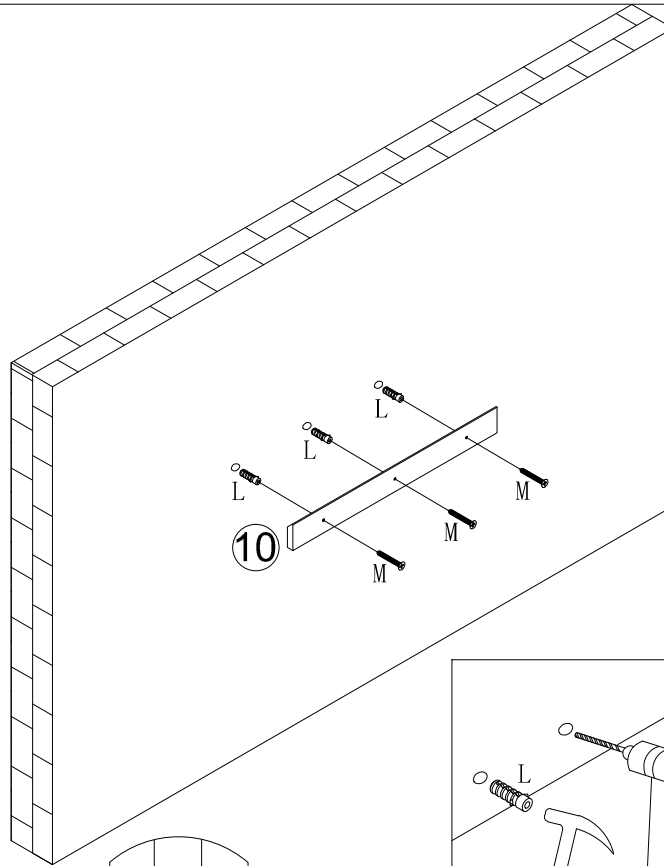
No. K
Quantity: 4 Pcs



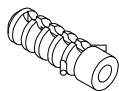
STEP 18



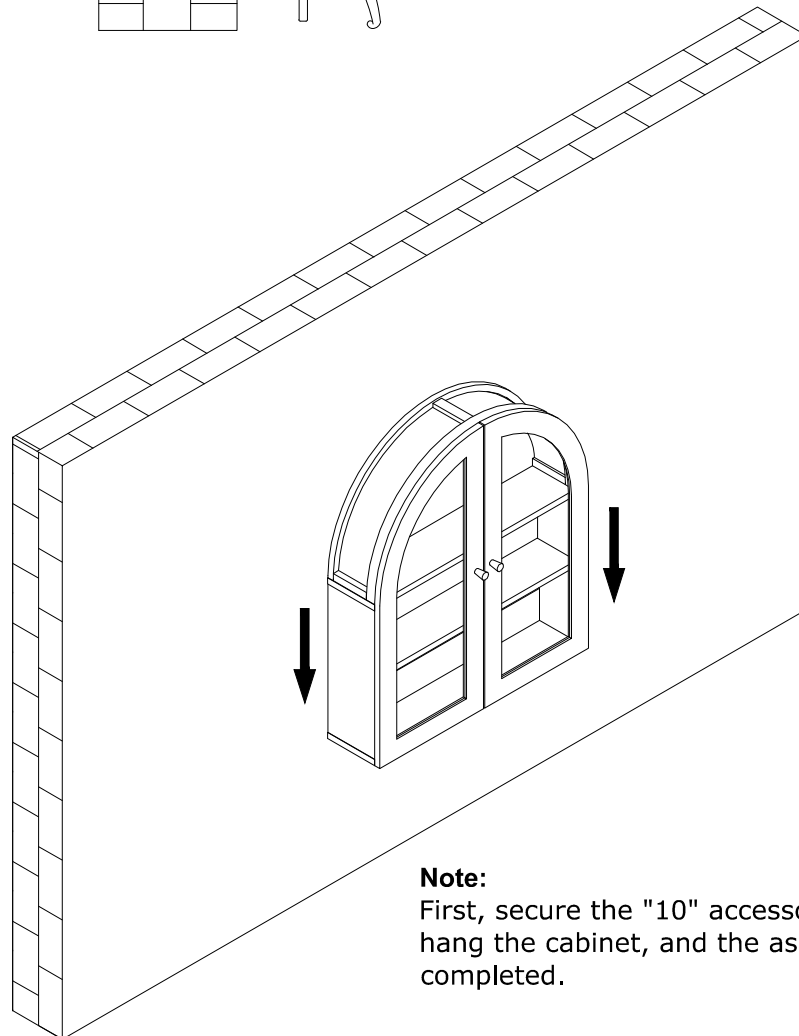
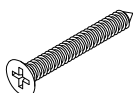
STEP 19



No. L
Quantity: 3 Pcs



No. M
Quantity: 3 Pcs
M5*60mm



Note:
First, secure the "10" accessories, then hang the cabinet, and the assembly is completed.