


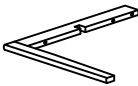
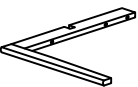
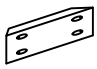



ASSEMBLY INSTRUCTION FOR ACME FURNITURE

MODEL# DN02985 CHAIR

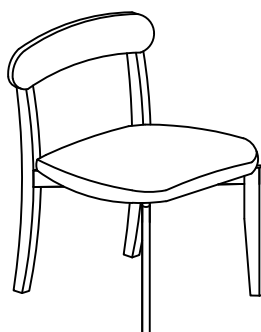
Thank you for purchasing the quality product. Be sure to check all packing material carefully for small parts which may have come loose inside the carton during shipment. Separate, identify and count all parts and metal hardware. Compare with all parts list to be sure all parts are present. If any part(s) are missing or damaged, please contact your local furniture dealer. For efficient and speedy service, please indicate the model number and code letter of part(s) needed.

*****Do not fully tighten screws until fully assembled*****

COMPONENT PARTS			
DESCRIPTION	PART NAME		Q'TY(PCS)
①	LEG WITH LABEL " L "		4
②	LEG WITH LABEL " R "		4
③	CHAIR HEAD WITH LABEL " UP "		4
④	L FRONT LEG WITH LABEL " L "		4
⑤	L FRONT LEG WITH LABEL " R "		4
⑥	CONNER BLOCK		16
⑦	SEAT		4

HARDWARE REQUIRED x 2 PACK

Ⓐ		BOLT	M6 X 30MM	8	PCS
Ⓑ		BOLT	M6 X 60MM	16	PCS
Ⓒ		SPRING WASHER	M6 X 12MM	24	PCS
Ⓓ		FLAT WASHER	M6 X 13MM	8	PCS
Ⓔ		CSK C/B SCREW	M4 X 32MM	32	PCS
Ⓕ		BARREL NUT		8	PCS
Ⓖ		ALLEN KEY	M4 X 100MM	1	PCS
Ⓗ		PVC NUT		8	PCS
Ⓘ		WOOD BUTTON		16	PCS



x 4

Attention

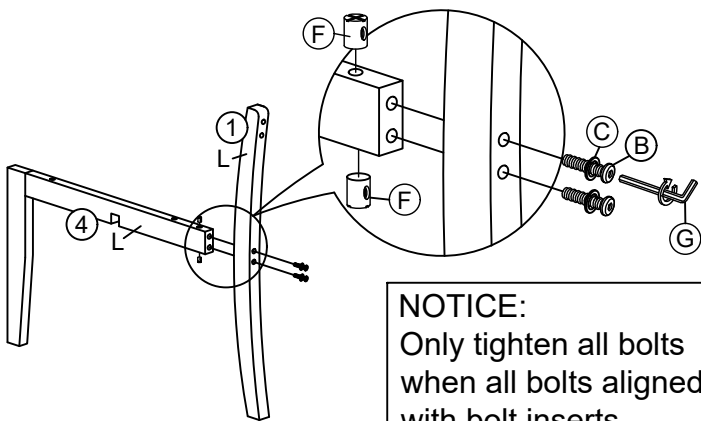
Some number parts listed on the instruction sheet may not be in parts bag as they may already be assembled. Carefully check parts and packing materials prior to ordering replacements.

How to assemble:



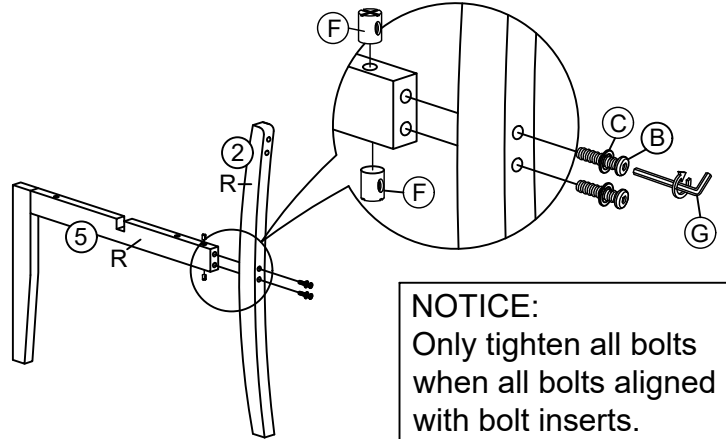
Only tighten all bolts when all bolts aligned with bolt inserts.

STEP 1



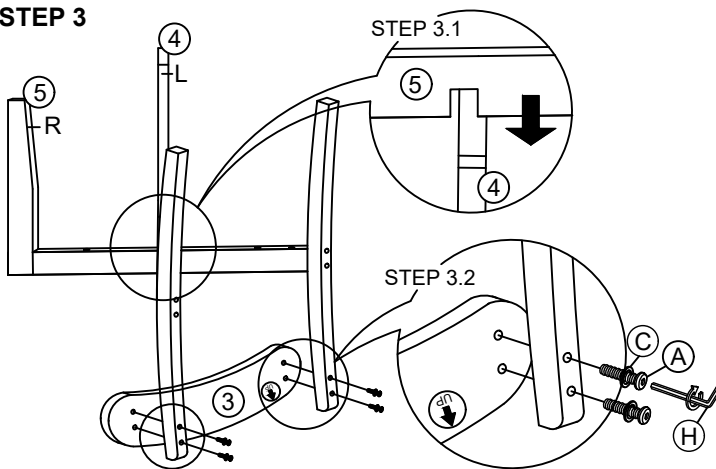
NOTICE:
Only tighten all bolts
when all bolts aligned
with bolt inserts.

STEP 2

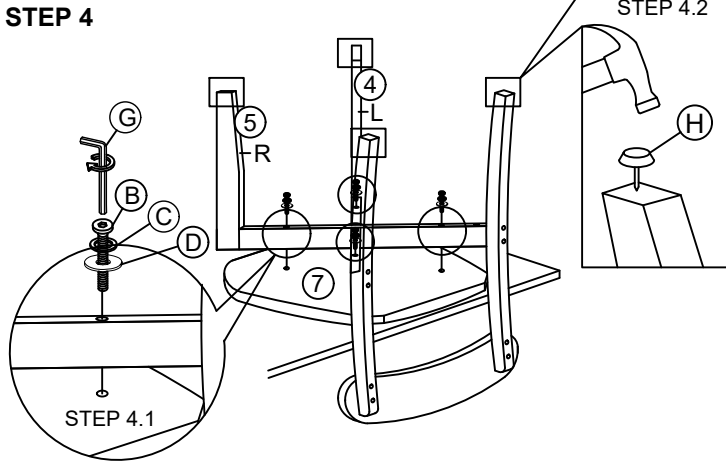


NOTICE:
Only tighten all bolts
when all bolts aligned
with bolt inserts.

STEP 3

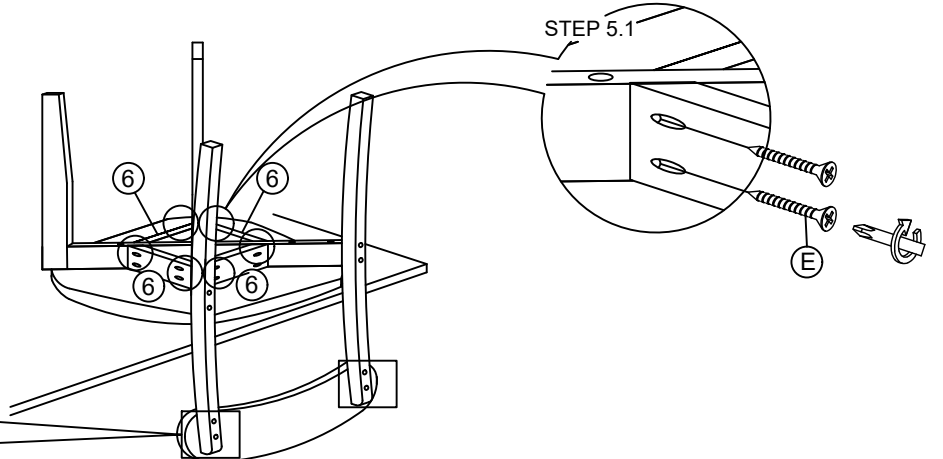
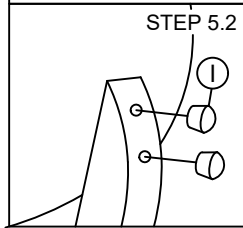


STEP 4

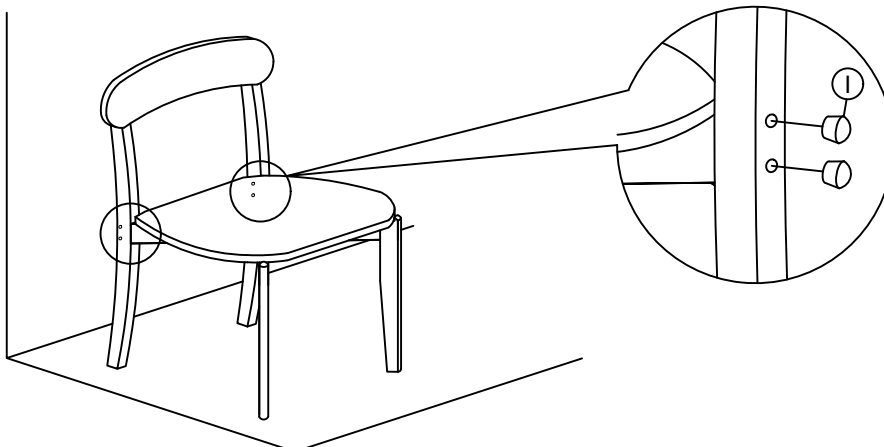


STEP 5

NOTICE:
Fully tighten screws before
insert wood button (I).



STEP 6



NOTICE:
Make sure the chair legs
are completely flat when
tightening the screws and
inserting the wood button (I).