






Deluxe Potting Bench With Cabinet



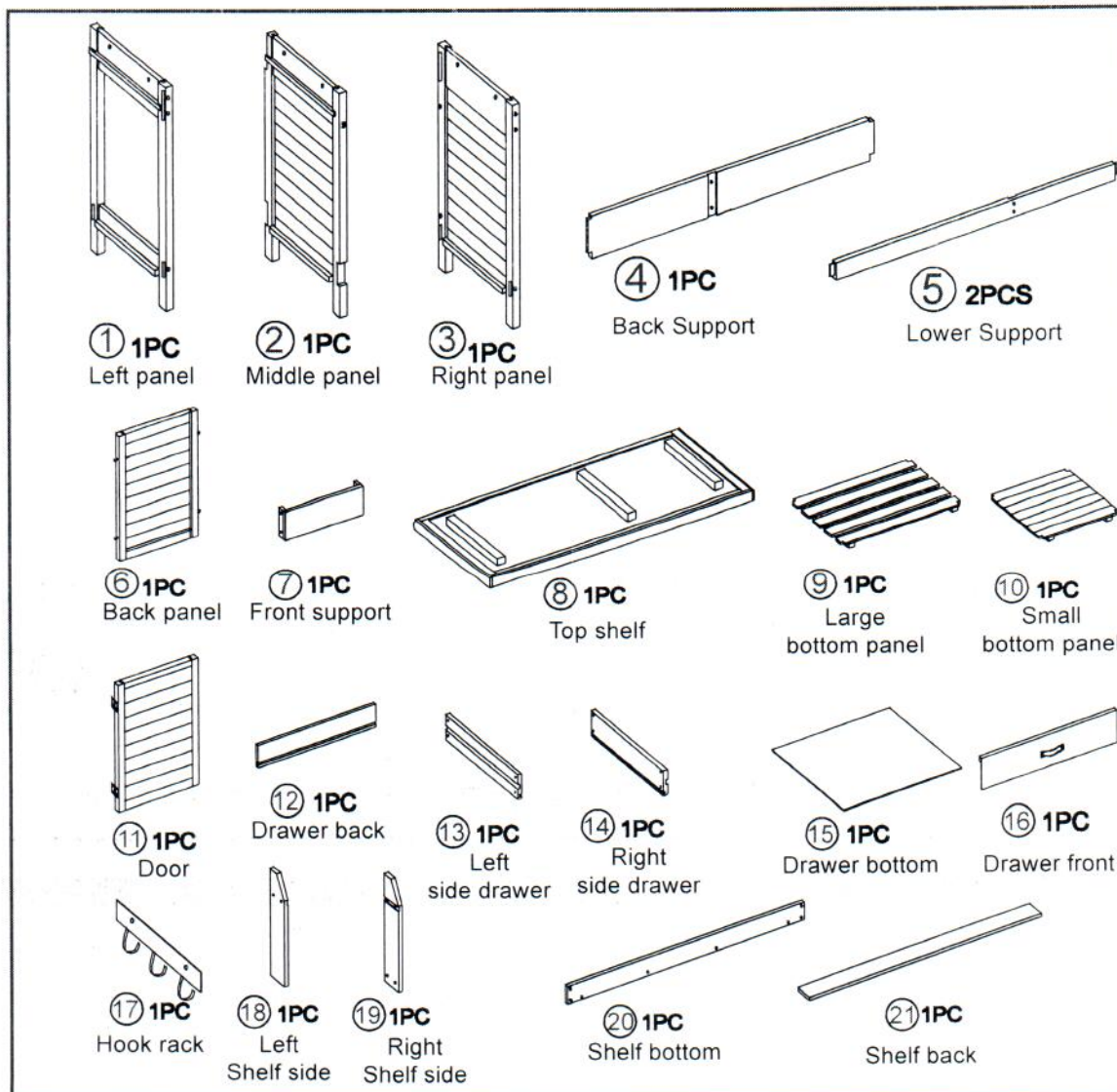
ASSEMBLY INSTRUCTIONS

We have designed our furniture with you , the customer in mind . Our clear , easy to follow , step by step instructions will guide you through the project from start to finish . Feel confident that this will be a fun and rewarding project . The final product will be a quality piece of furniture that will go together smoothly and give years of enjoyment .

Hardware List

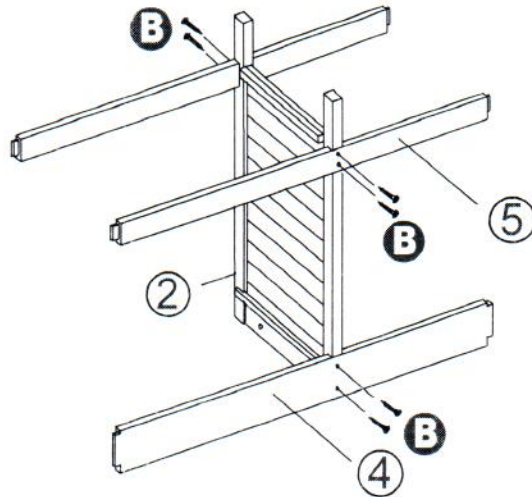
<p>A</p>  <p>Bolt, Washer and Nut 6 sets</p>	<p>B</p>  <p>Large screw 38 PCS</p>	<p>C</p>  <p>Small screw 4 PCS</p>
<p>D</p>  <p>Medium screw 4 PCS</p>	<p>E</p>  <p>Rack screw 2 PCS</p>	

Panel List



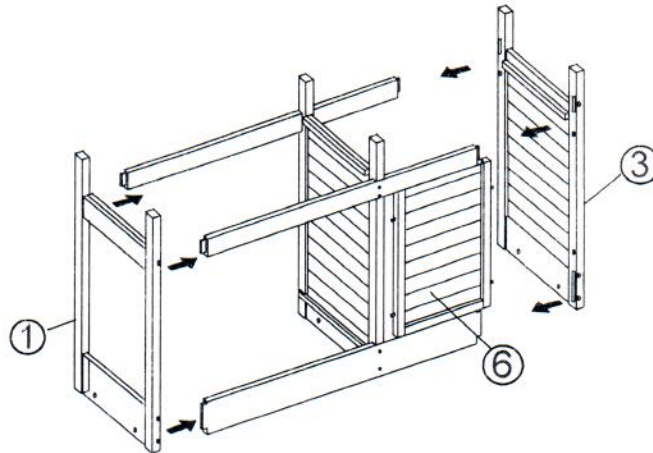
Step 1

1. Attach lower supports ⑤ and back support ④ to middle panel ② using large screws **B**.



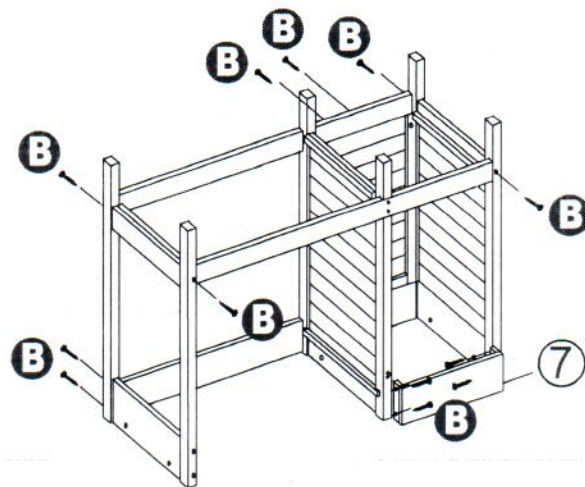
Step 2

1. Insert left panel ① to side of assembly.
2. Place back panel ⑥ between middle panel ② and right panel ③.



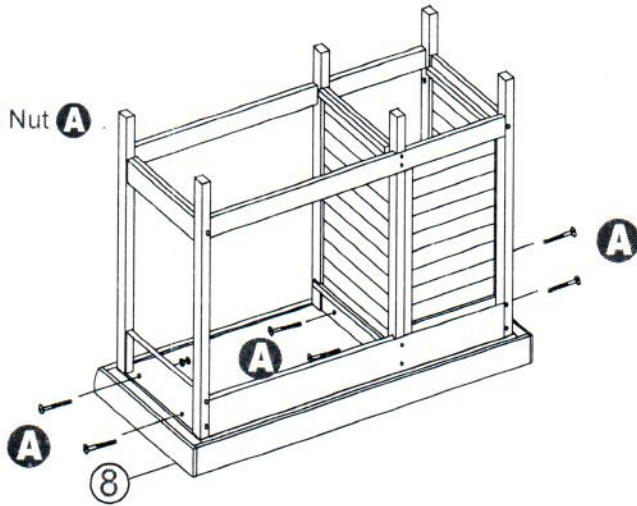
Step 3

1. Place front support ⑦ onto assembly.
2. Fasten pieces together using large screws **B** as shown.



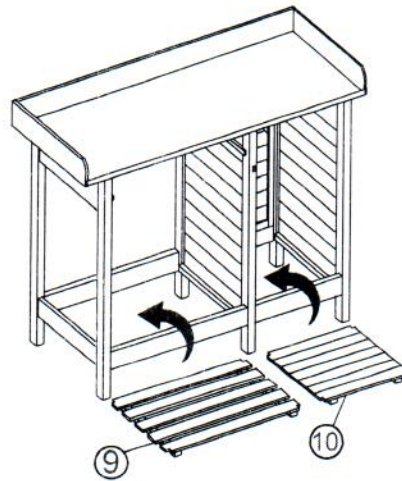
Step 4

Place assembly onto top shelf ⑧ and fasten with Bolts, Washer and Nut **A**.



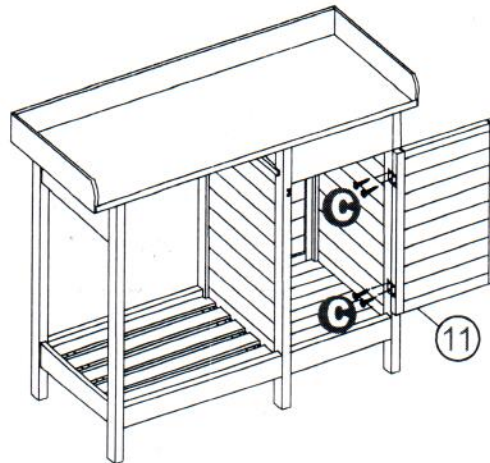
Step 5

Using slight angle, place small ⑩ and large ⑨ bottom panels onto assembly.



Step 6

Fasten door **G** to unit with small screws ⑪.

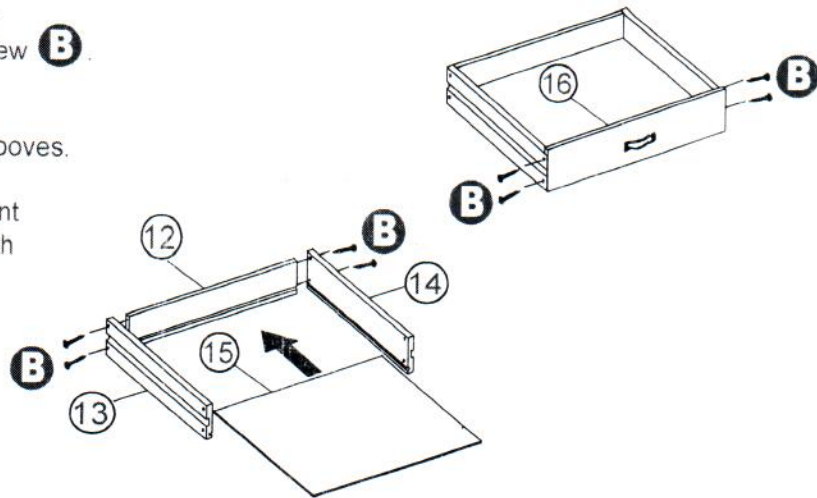


Step 7

1. Assemble drawer sides with large screw **B**.

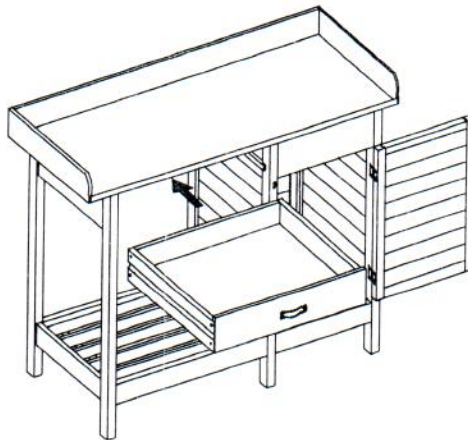
2. Slide drawer bottom **15** into grooves.

3. Fasten drawer front **16** to assembly with large screws **B**.



Step 8

1. Carefully slide drawer into position.



Step 9

1. Fasten shelf back **21** and shelf bottom **20** to shelf sides **18** & **19** with large screws **B**.

2. Fasten Assembly to unit using Medium Screws **D** as shown.

3. Connect Rack to unit using Rack Screws **E**.

