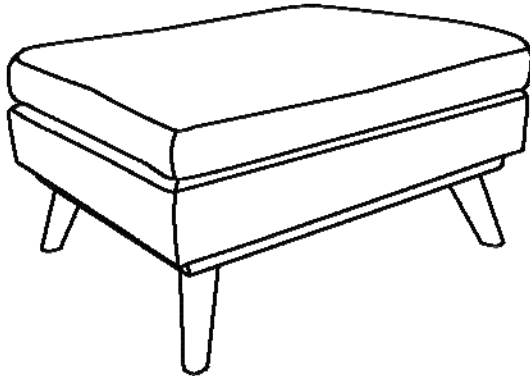


OTTOMAN

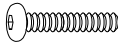



Thank you for purchasing the **OTTOMAN!**

Before you start, here is some helpful advice:

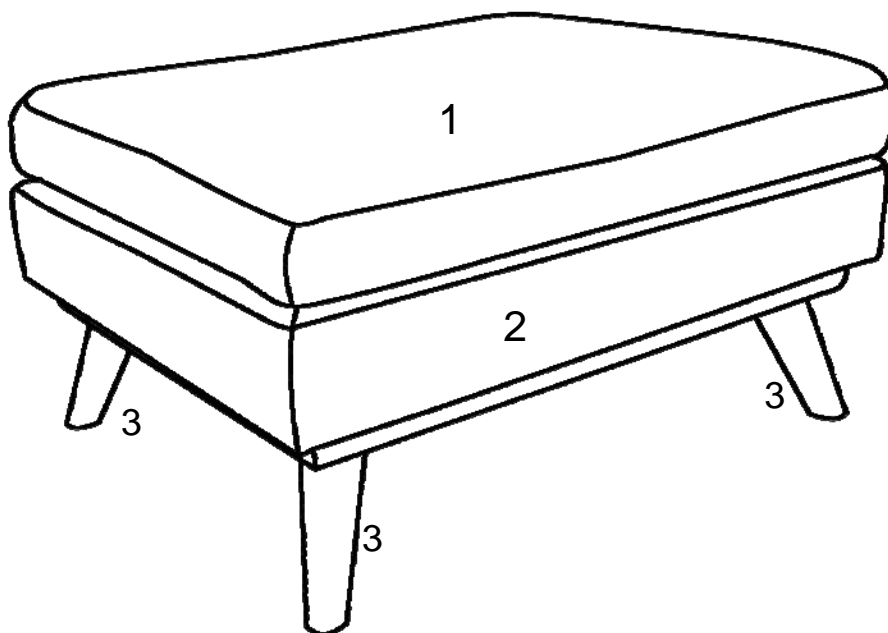
1. We suggest you spend a short time reading through this leaflet and then follow the simple step by step instructions.
2. Owing to the size and weight of the ottoman, we recommend that it is assembled by two adults, on a carpeted or padded area, in the room that it is intended for. Approximate assembly time: 15 minutes.
3. Please do not use any tools other than those provided or recommended in these instructions.
4. Please do not throw away any of the packaging or instructions until you have checked all the components and hardware and the furniture is fully assembled.
5. Assemble all components loosely until advised to tighten. Depending on use, it may be necessary to tighten the components from time to time, so please save the tools that have been provided.
6. Please keep all pieces out of reach of small children.



Hardware:

A		Bolt	x 8
B		Spring Washer	x 8
C		Flat Washer	x 8
D		Allen Wrench	x 1

Component:



1 Ottoman Seat Cushion x1

2 Ottoman Base x1

3 Leg x4

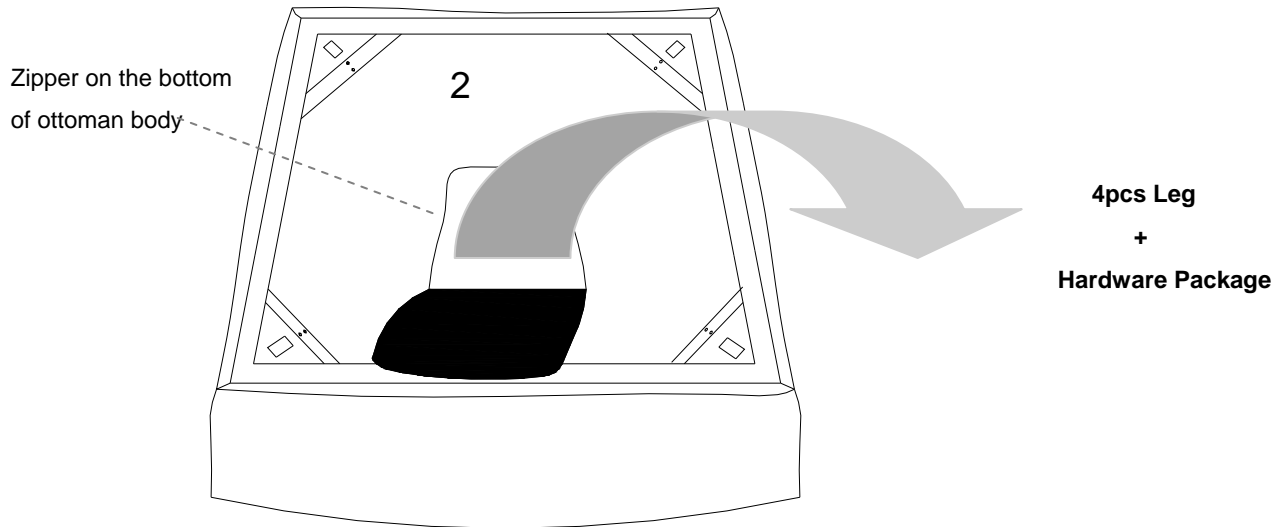
OTTOMAN

STEP 1:

Please put the **Ottoman Base (2)** upside down on a carpeted or padded area by two adults to make fully visible the corners.

Open the Zipper on the bottom of **Ottoman (1)** as shown, take out of the package of **Legs (2)** and Hardware Package.

Take out the 4pcs of **Ottoman Legs (2)** from the package, then close the Zipper on the bottom of **Ottoman (1)**.



STEP 2:

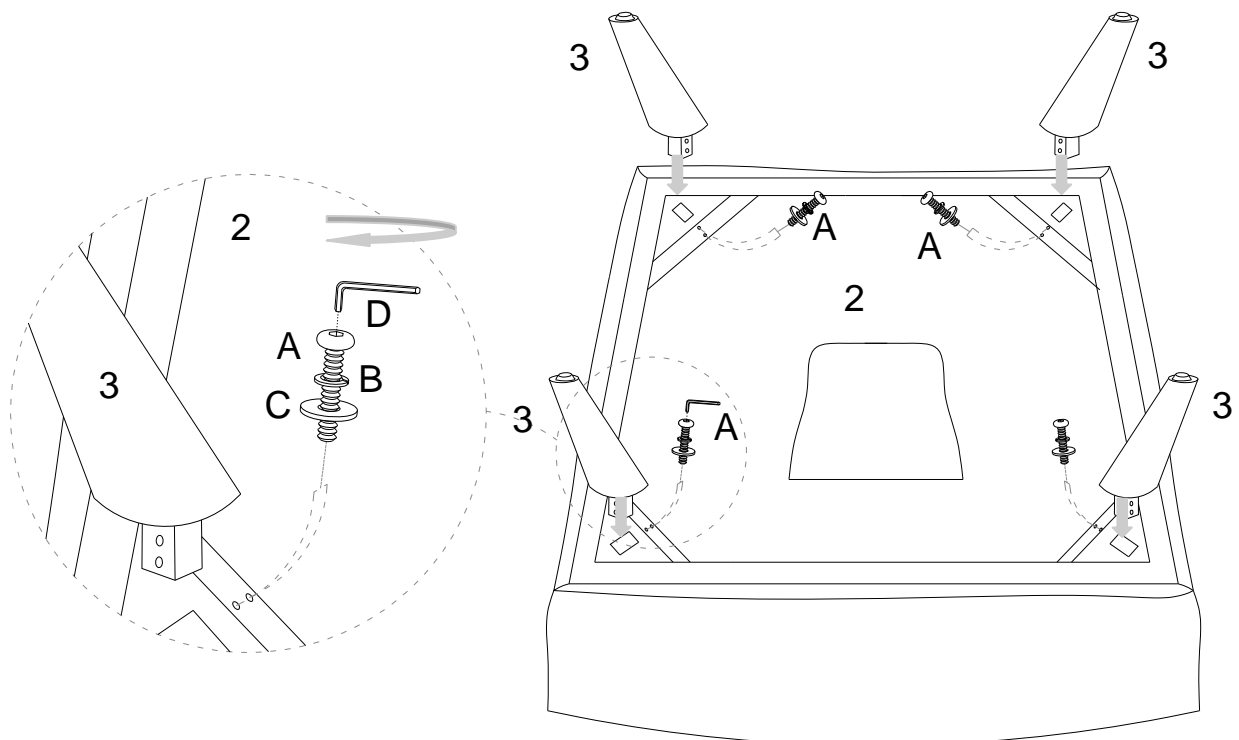
Position one of **Ottoman Legs (B)** at one of the four wooden corners.

Insert 2 pieces of **Spring Washer (B)**, **Flat Washer (C)** into 2 pieces of **Bolts (A)** as shown.

Then insert assembled 2 pieces of **Bolts (A)** into the corner to connect the **Leg (2)**.

Use **Allen Wrench (D)** to tighten the **Bolts (A)** clockwise until secure.

Repeat the same steps for the other three **Legs (2)**.



Ax8	Bx8	Dx1

Hardware & Tool required

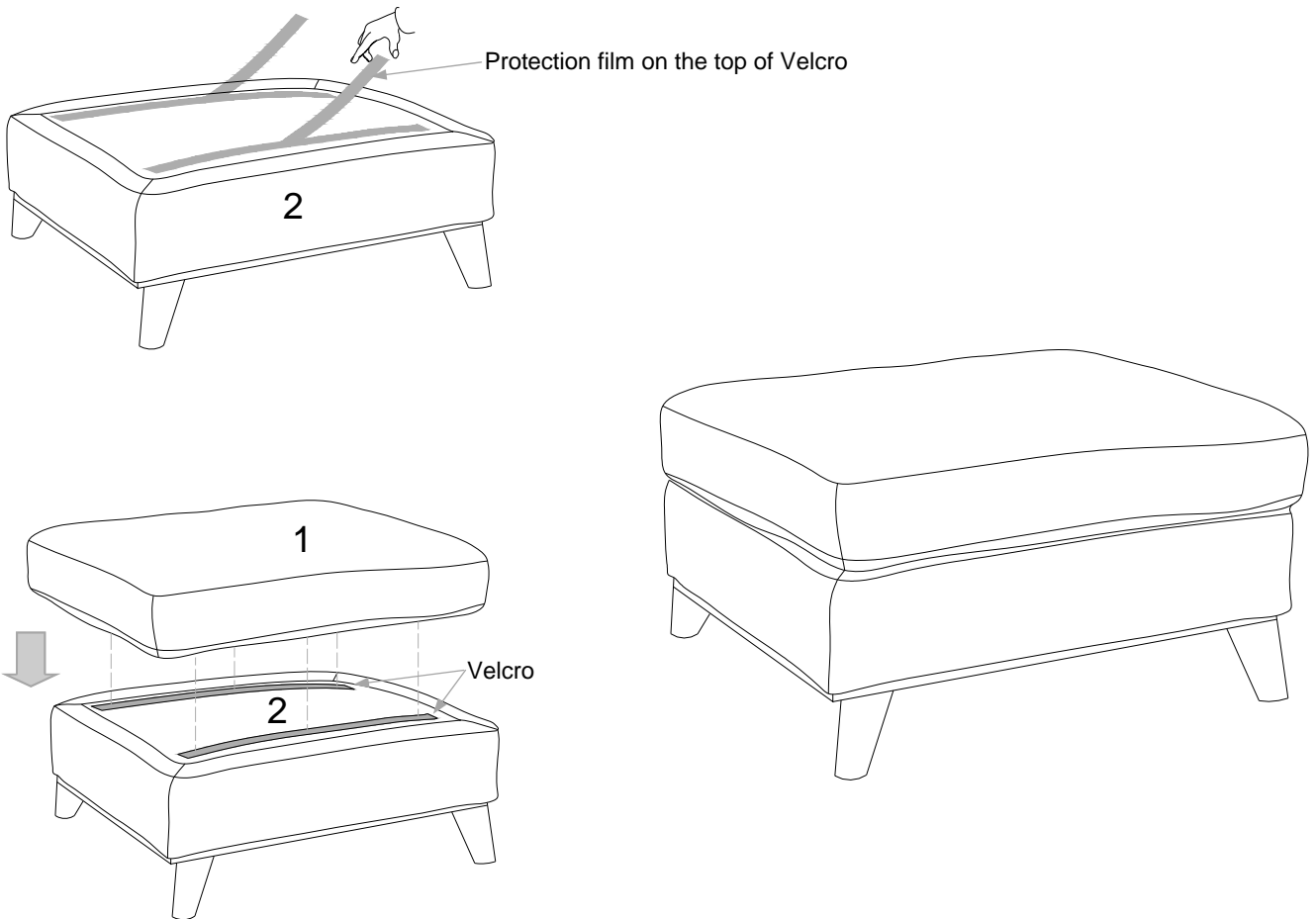
OTTOMAN

STEP 3:

Carefully turn over the assembled ottoman.

Please take off the protection film on the Velcro of **Ottoman Base (2)**.

Attach the **Ottoman Seat Cushion (1)** to the **Ottoman Base (2)** by the Velcro at the top of **Ottoman Base (2)** as shown.



Assembly is completed. The ottoman is ready to enjoy now!