

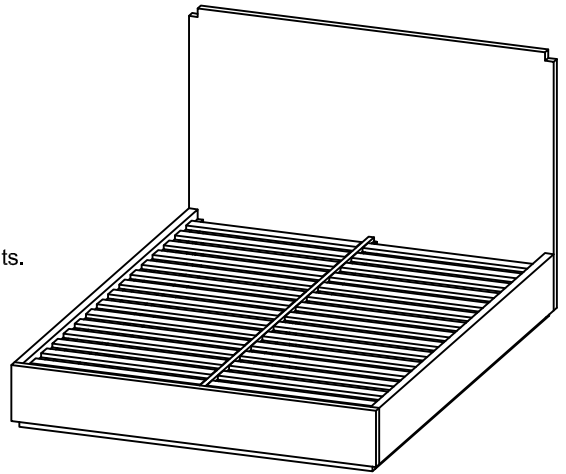
BED

Assembly Instructions

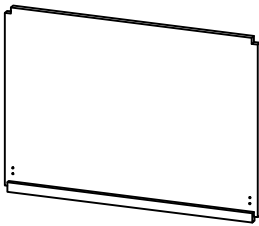
TOOLS REQUIRED BUT NOT INCLUDED:
EX. 'Phillips head screwdriver,Level,Hammer'

WARNINGS:
Do not throw away packing materials and carton until after assembly.
Assemble all parts on a clean smooth surface.

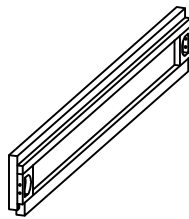
CARE INSTRUCTIONS:
Avoid direct exposure to sunlight.Do not place over heat or air conditioning vents.
Adjust levelers so that the furniture sits flat on uneven floors.
Blot spills do not rub,with a clean white cloth.
Do not use harsh chemicals.
Before cleaning any part test a small spot in a hidden area.
You may need to re-tighten all bolts after initial use.



PARTS INCLUDED



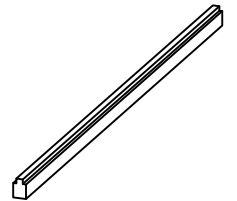
(A) HEADBOARD
x1



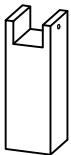
(B) SIDERAIL
x2



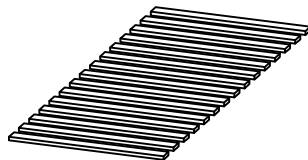
(C) FOOTBOARD
x1



(D) CENTER SUPPORT
x1



(E) CENTER LEG
x1



(F) SLATES
x2



(G) THREADED ROD [M8 X 90MM]
x8



(H) WASHER
x8



(I) HEXA NUT [M8]
x8



(J) SPANNER [12/13MM]
x1



(K) ALLEN BOLT CSK [M6 X16MM]
x2



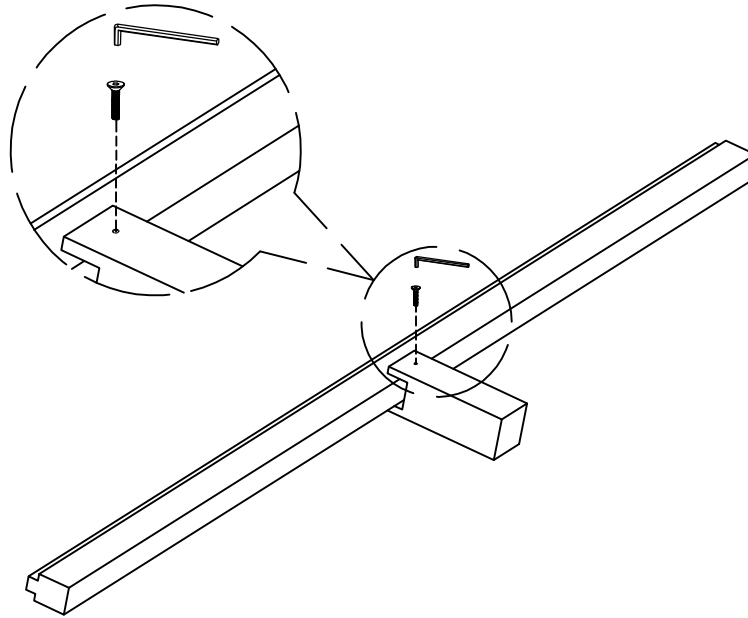
(L) ALLEN BOLT CSK [M6 X 25MM]
x1



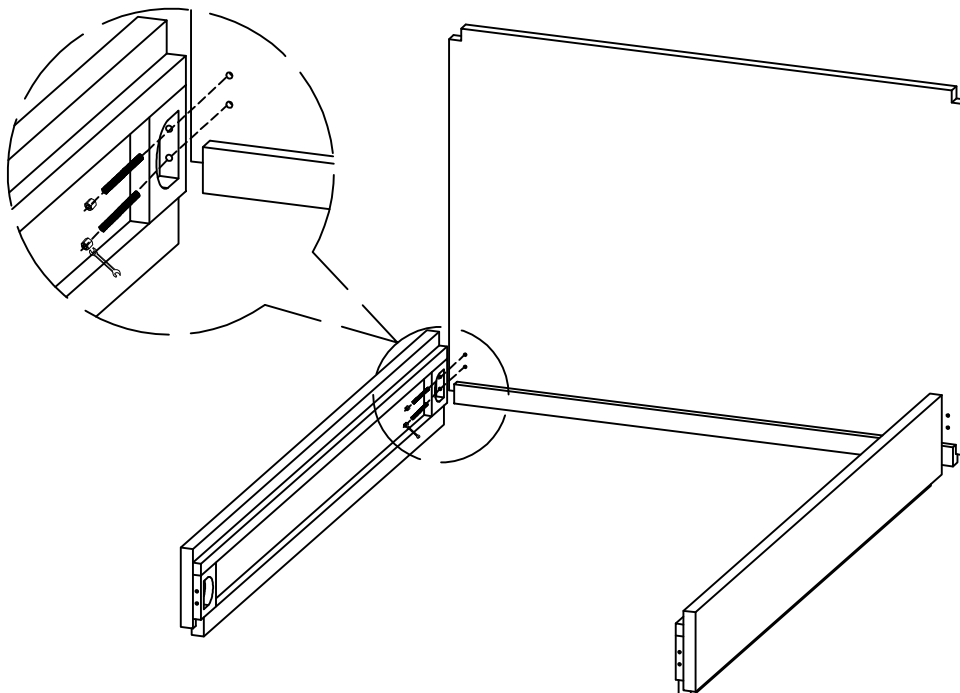
(M) ALLEN KEY [4MM]
x1

Assembly Instructions

STEP 1: Unpack the carton and make sure you have all the parts required. Align the Center Leg (E) with Center Support (D). Insert Allen bolt (L). Tighten with supplied Hex Key (M). (as shown in below)

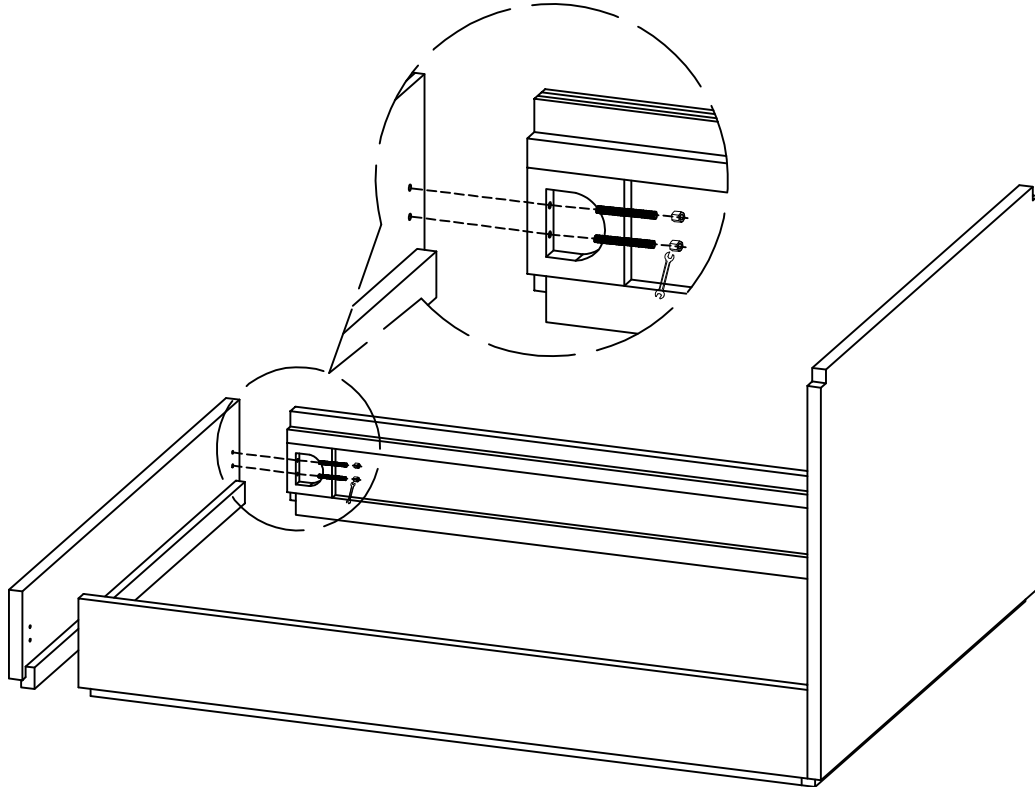


STEP 2: Align the Side Rail (B) With Headboard (A). Insert Threaded Rod (G), Washer (H) & Nut (I). Tighten with supplied Spanner (J). (as shown in below).

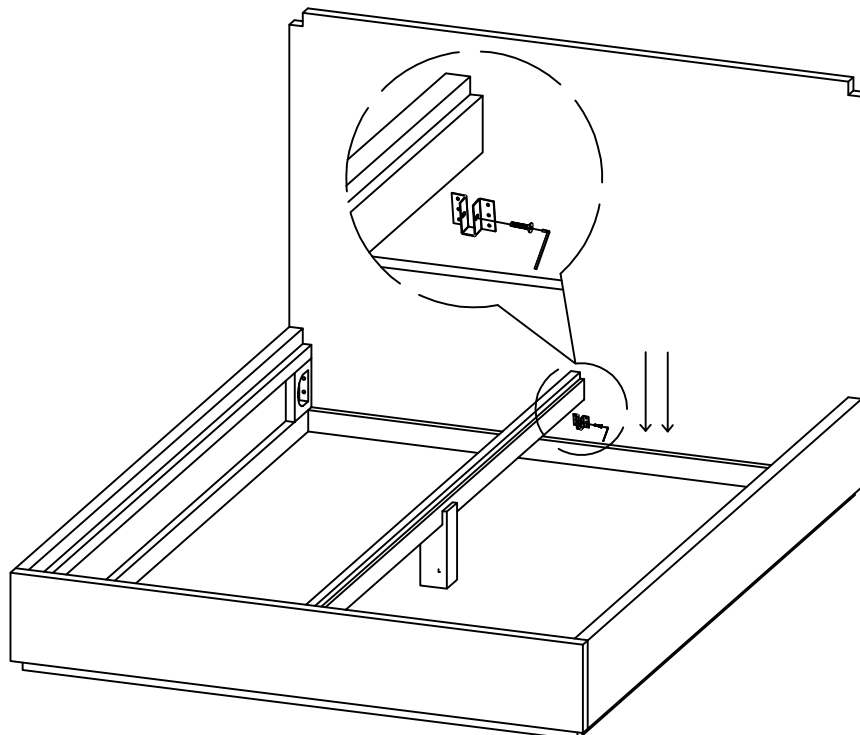


Assembly Instructions

STEP 3: Use assistance for assmble.Align the Footboard (C) With Side rail (B) .Insert Threaded Rod (G), Washer (H) & Nut (I).Tighten with supplied Spanner (F).(as shown in below)

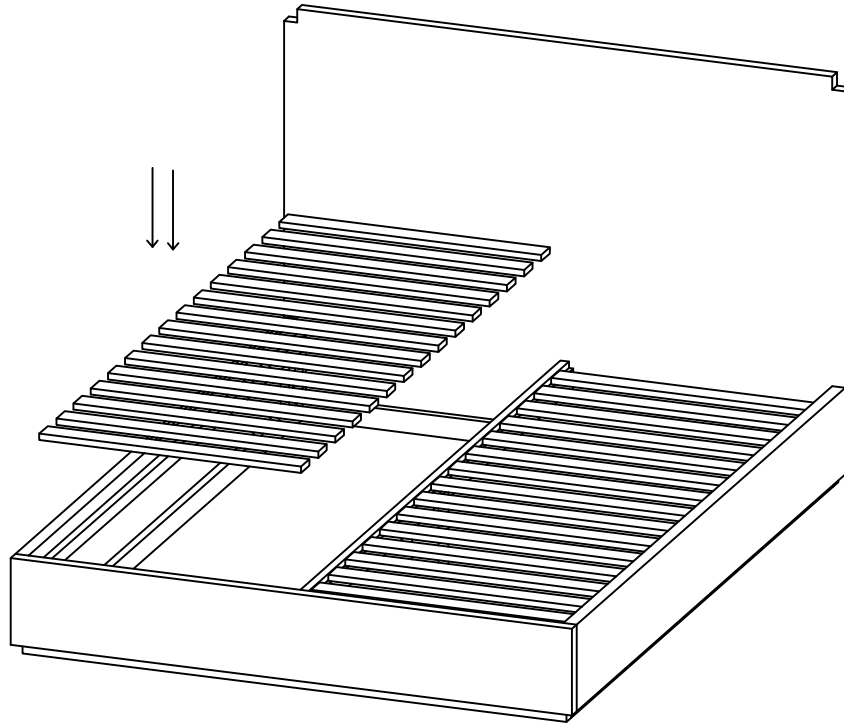


STEP 4: Then Fix The Center Support (D) With Bed Support Patti.Insert Allen Bolt (K).Tighten with supplied Allen Key (M).(as shown in below).



Assembly Instructions

STEP 5: Finally Fix the Slates (F) .(as shown in below)



FINAL: Now Your Wesley burl bed is ready for use.

