



ASSEMBLY INSTRUCTION

U1816-30 WILLOW

SOFA W/DUAL RECLINER

Thank you for purchasing this quality product. Be sure to check all packing materials carefully for small parts, which may have come loose during shipment. Identify and count all items and compare with the parts list shown below. It is recommended to have two people during assembling and to remove the back and base of the furniture out from the box.

Please follow the drawings below to assemble the item

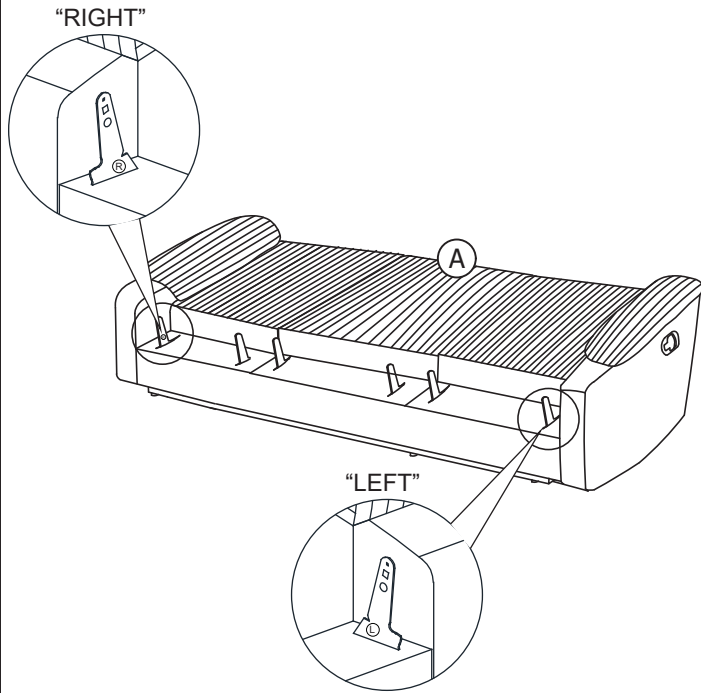
PARTS LIST			
ITEM	DESCRIPTION	SKETCH	QTY
A	SEAT		1 PC
B	LEFT SIDE FACING (LSF) BACKREST		1 PC
C	CENTER BACKREST		1 PC
D	RIGHT SIDE FACING (RSF) BACKREST		1 PC
E	LEFT SIDE FACING (LSF) ARM		1 PC
F	RIGHT SIDE FACING (RSF) ARM		1 PC

WEIGHT CAPACITY (PER SEAT)	350 LBS
----------------------------	---------

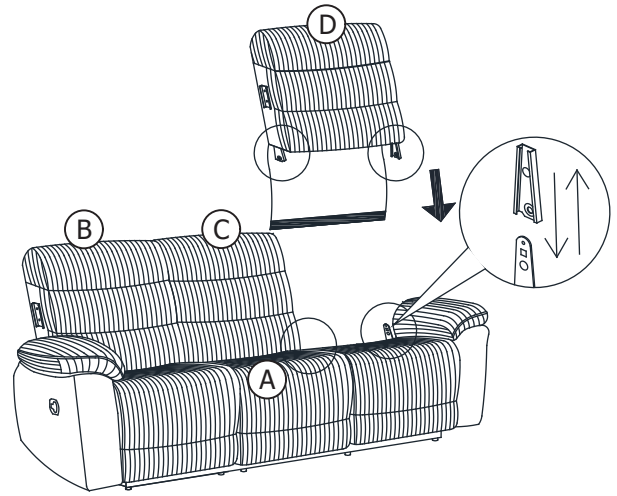
HARDWARE DIMENSIONS
VERIFICATION TOOL



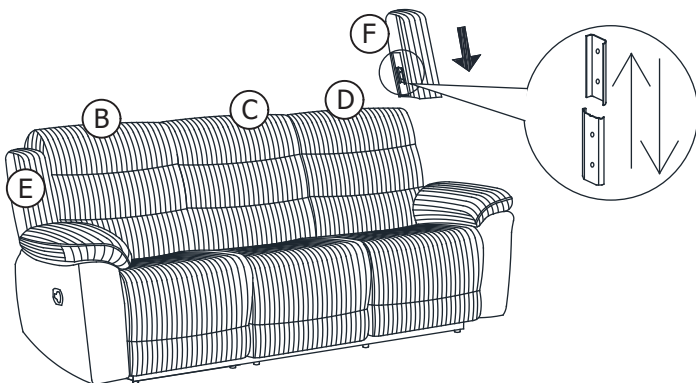
STEP 1: Locate the metal bracket at the back of seat (A).



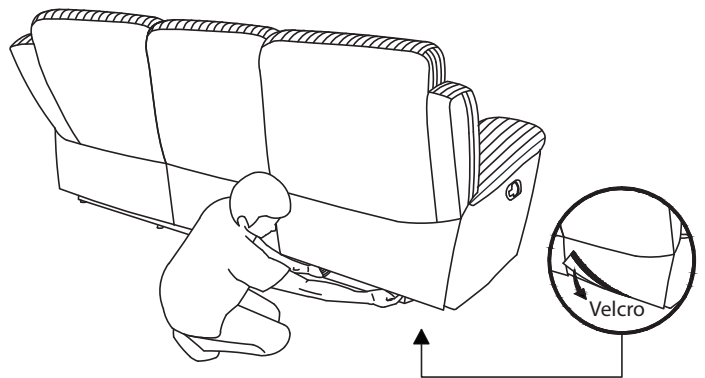
STEP 2: Install the backrests (B/C/D) by align and insert the metal bracket on the backrests (B/C/D) to the metal bracket of the seat (A). Please make sure the brackets are inserted all the way and secured into position.



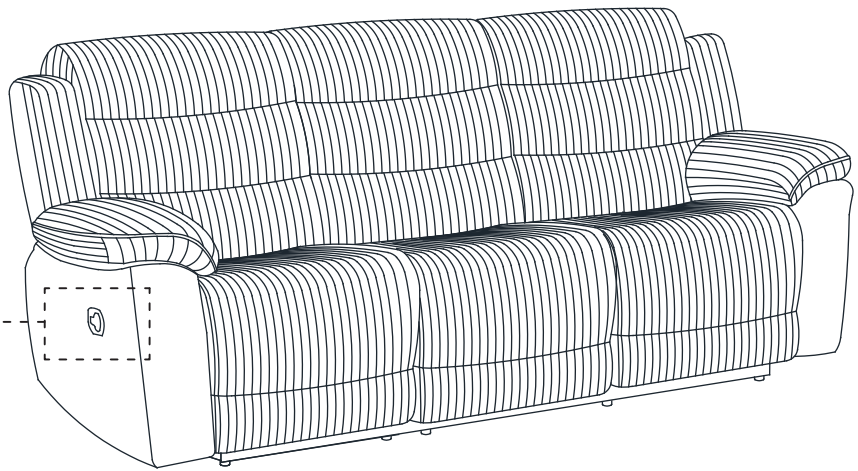
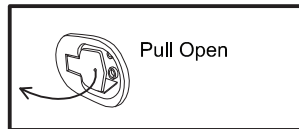
STEP 3: Install the arms by sliding the metal bracket on the LSF arm (E) into the metal bracket on the LSF backrest (B) and the metal bracket on RSF arm (F) into the metal bracket on the RSF backrest (D). Please make sure the brackets are inserted all the way and secured into position.



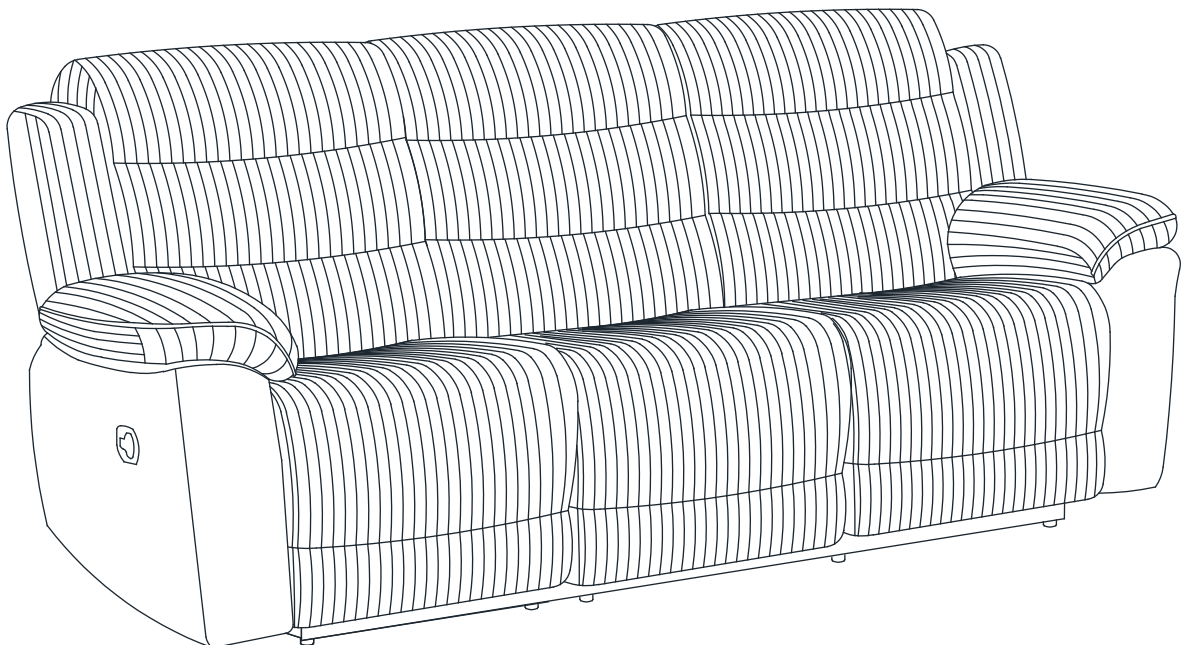
STEP 4: Press the Velcro strip on the backrests (B/C/D) to the Velcro strip on the bottom of seat (A).



STEP 5: Open the footrest by pulling the handle.



STEP 6: Complete



ASSEMBLY COMPLETED
MADE IN MALAYSIA



ASSEMBLY INSTRUCTION

U1816-25 WILLOW CONSOLE LOVESEAT W/DUAL RECLINERS

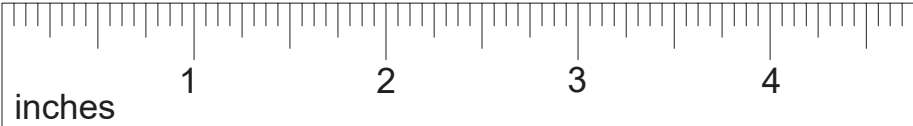
Thank you for purchasing this quality product. Be sure to check all packing materials carefully for small parts, which may have come loose during shipment. Identify and count all items and compare with the parts list shown below. It is recommended to have two people during assembling and to remove the back and base of the furniture out from the box.

Please follow the drawings below to assemble the item

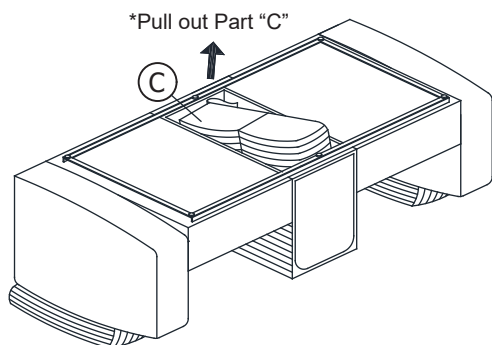
PARTS LIST			
ITEM	DESCRIPTION	SKETCH	QTY
A	SEAT		1 PC
B	LEFT SIDE FACING (LSF) BACKREST		1 PC
C	CONSOLE BACKREST		1 PC
D	RIGHT SIDE FACING (RSF) BACKREST		1 PC
E	LEFT SIDE FACING (LSF) ARM		1 PC
F	RIGHT SIDE FACING (RSF) ARM		1 PC
G	KNOB SCREWS		2 PCS

WEIGHT CAPACITY (PER SEAT)	350 LBS
----------------------------	---------

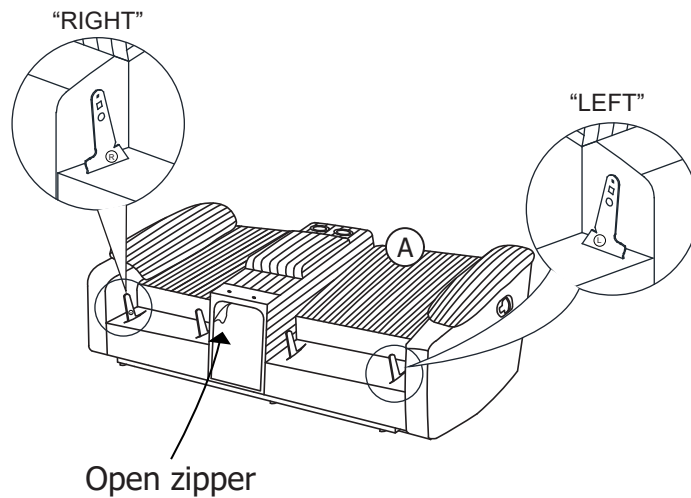
HARDWARE DIMENSIONS
VERIFICATION TOOL



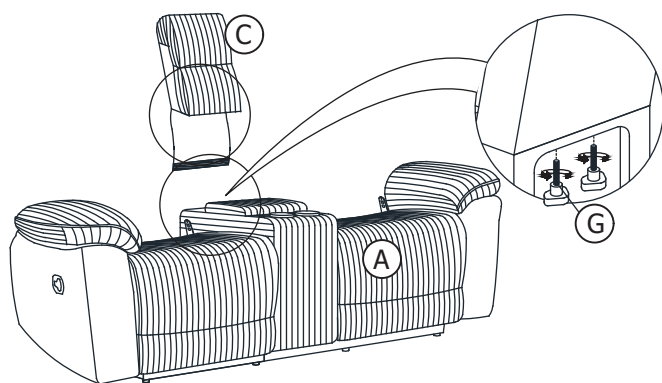
STEP 1: Locate the Console Backrest (C) underneath the seat (A)



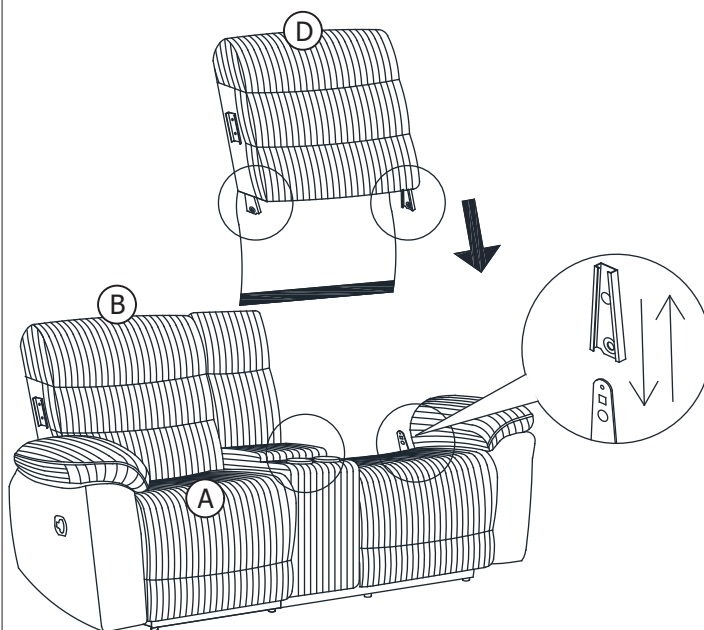
STEP 2: Open the zipper on the back of seat (A) for the installation of console backrest.



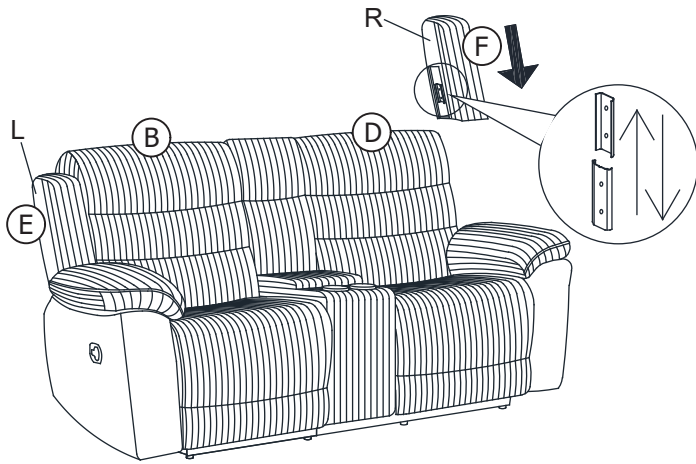
STEP 3: Place the console Backrest (C) in the correct position and then attach to the seat (A) by turning the knob screws (G) counterclockwise.



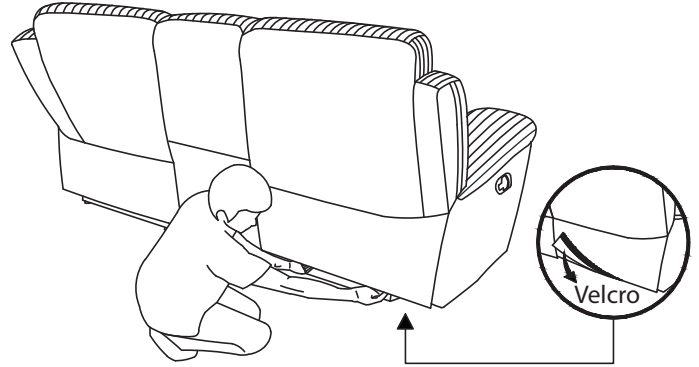
STEP 4: Install the backrests (B/D) by align and insert the metal bracket on the backrests (B/D) to the metal bracket of the seat (A). Please make sure the brackets are inserted all the way and secured into position.



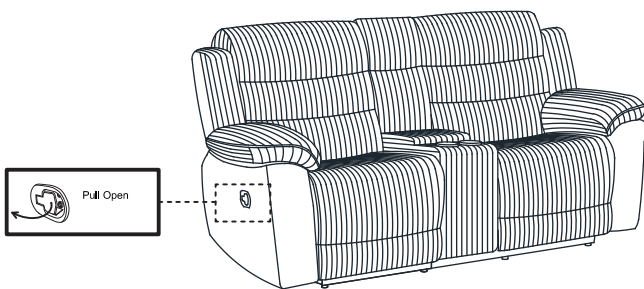
STEP 5: Install the arms by sliding the metal bracket on the LSF arm (E) into the metal bracket on the LSF backrest (B) and the metal bracket on RSF arm (F) into the metal bracket on the RSF backrest (D). Please make sure the brackets are inserted all the way and secured into position



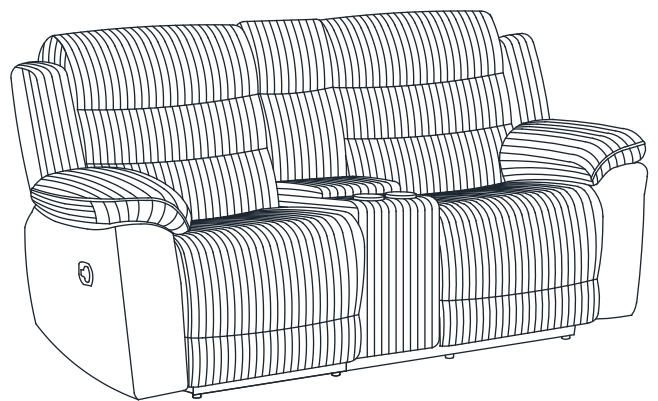
STEP 6: Press the velcro strip on the backrests (B/C/D) to the velcro strip on the bottom of seat (A)



STEP 7: Open the footrest by pulling the handle.



STEP 8: Complete



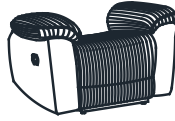



ASSEMBLY INSTRUCTION

U1816-13 WILLOW GLIDER RECLINER

Thank you for purchasing this quality product. Be sure to check all packing materials carefully for small parts, which may have come loose during shipment. Identify and count all items and compare with the parts list shown below. It is recommended to have two people during assembling and to remove the back and base of the furniture out from the box.

Please follow the drawings below to assemble the item

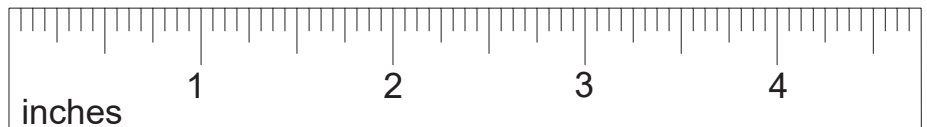
PARTS LIST

ITEM	DESCRIPTION	SKETCH	QTY
A	SEAT		1 PC
B	BACKREST		1 PC
C	LEFT SIDE FACING (LSF) ARM		1 PC
D	RIGHT SIDE FACING (RSF) ARM		1 PC

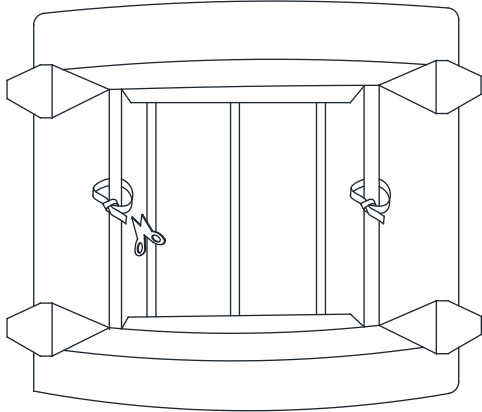
WEIGHT CAPACITY (PER SEAT)

350 LBS

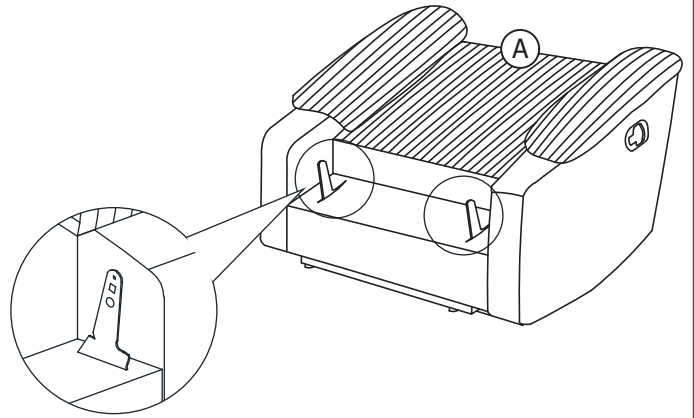
HARDWARE DIMENSIONS
VERIFICATION TOOL



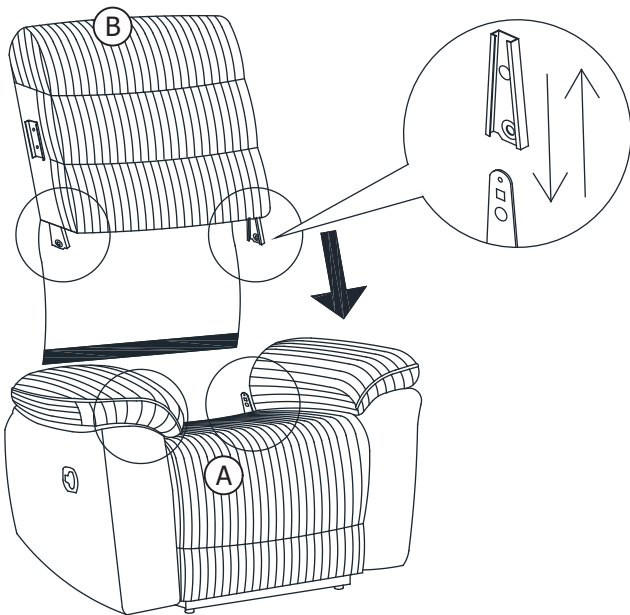
STEP 1: Cut the ties on the frame at the bottom of the seat with scissors



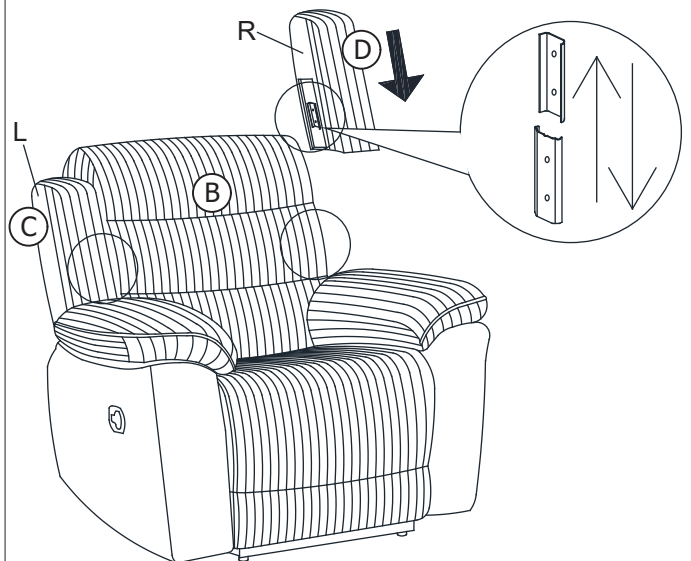
STEP 2: Locate the metal bracket at the back of seat (A).



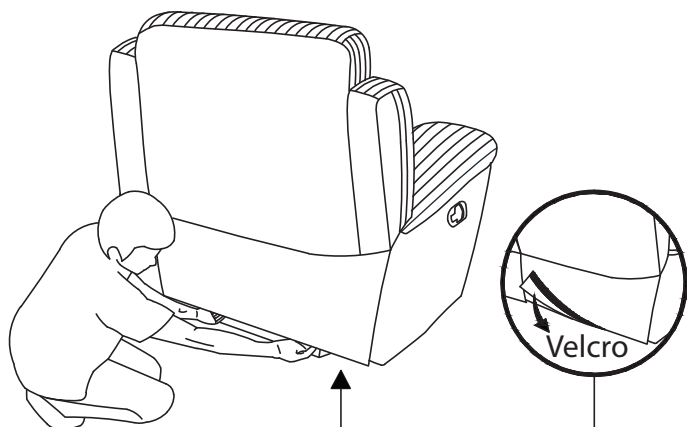
STEP 3: Install the backrest (B) by align and insert the metal bracket on the backrest (B) to the metal bracket of the seat (A). Please make sure the brackets are inserted all the way and secured into position.



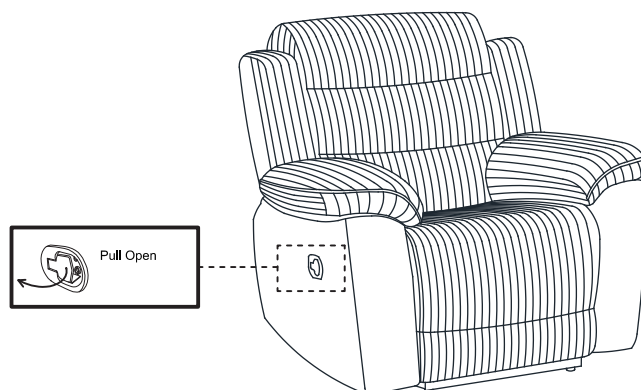
STEP 4: Install the arms by sliding the metal bracket on the LSF arm (C) and RSF arm (D) into the metal bracket on the backrest (B). Please make sure the brackets are inserted all the way and secured into position.



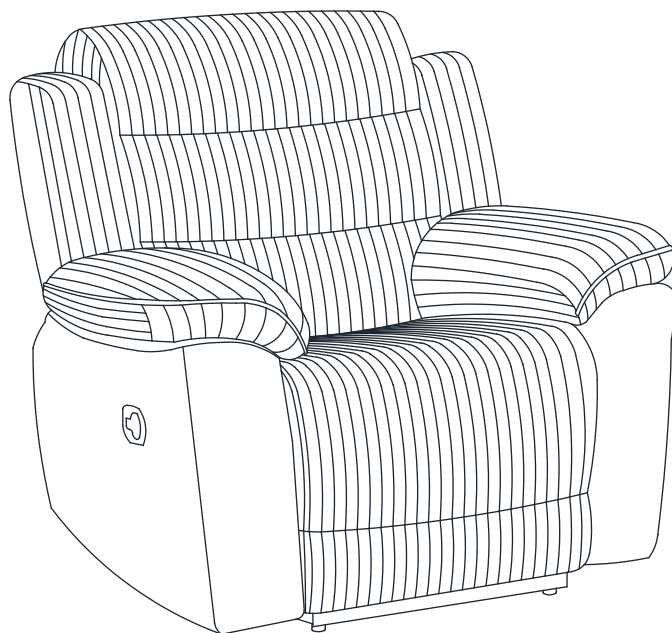
STEP 5: Press the Velcro strip on the backrest (B) to the Velcro strip on the bottom of seat (A).



STEP 6: Open the footrest by pulling the handle



STEP 7: Complete



ASSEMBLY COMPLETED
MADE IN MALAYSIA