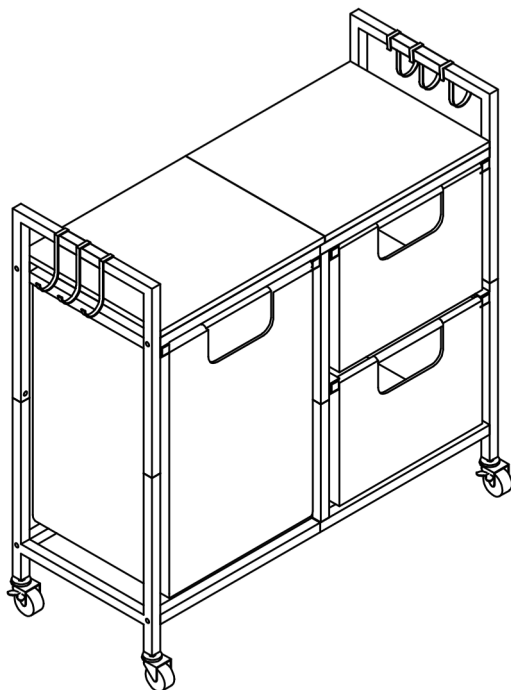
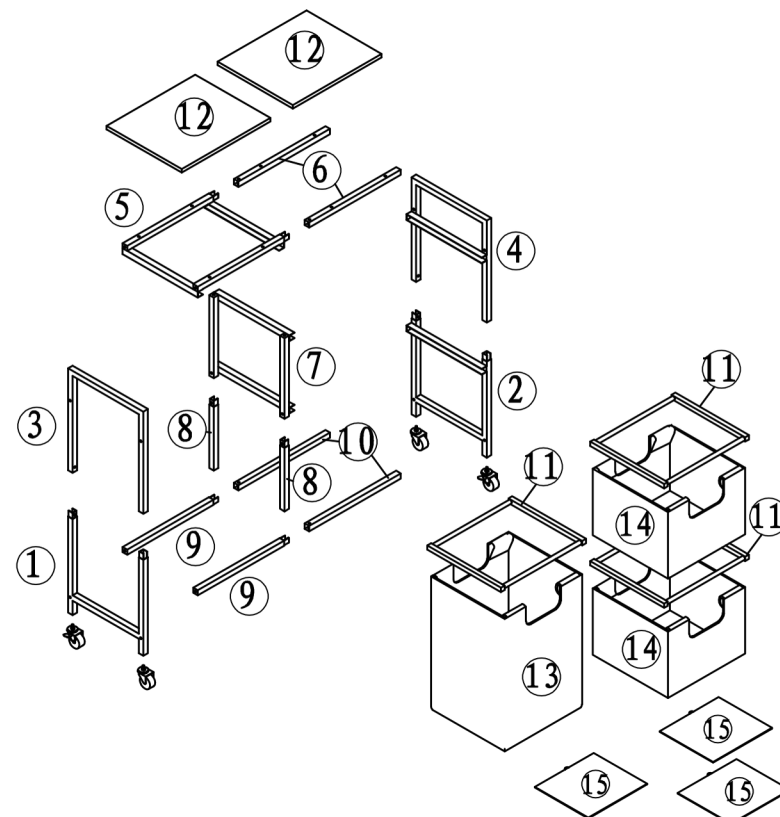







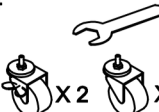
ASSEMBLY INSTRUCTION FOR



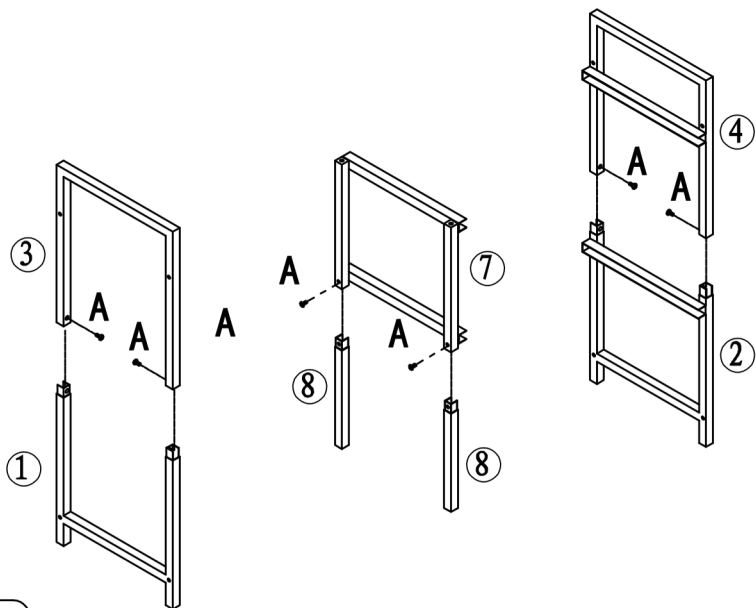
CAUTION:When tightening the screws,tighten sequentially.
Do not tighten any screws fully and then towards the next one.
When every part is OK,then tighten all the screws.



① X 1	② X 1	③ X 1	④ X 1	⑤ X 1
⑥ X 2	⑦ X 1	⑧ X 2	⑨ X 2	⑩ X 2
⑪ X 3	⑫ X 2	⑬ X 1	⑭ X 2	⑮ X 3

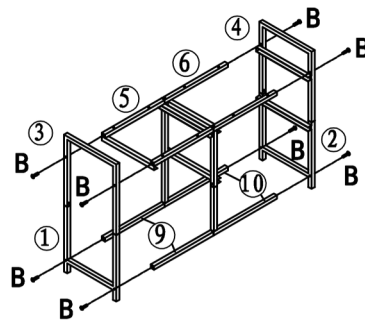
A X 6+1	B X 8+1	C X 12+1	D X 1	E X 6	F X 4
					
M6x10	M6x25	M6x28			x2 x2

STEP1

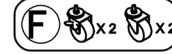
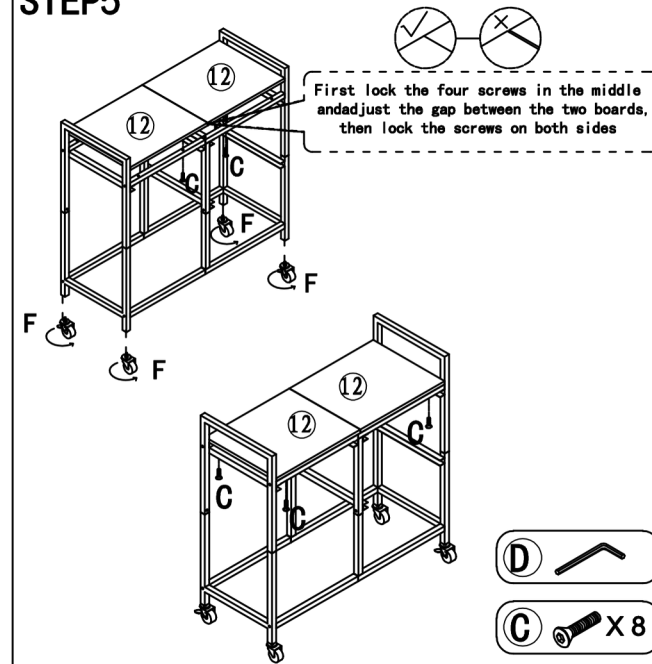


If the installation process is not smooth, please loosen the corresponding screws of each part in time, adjust slowly, and then slowly tighten all the screws after the adjustment is completed.

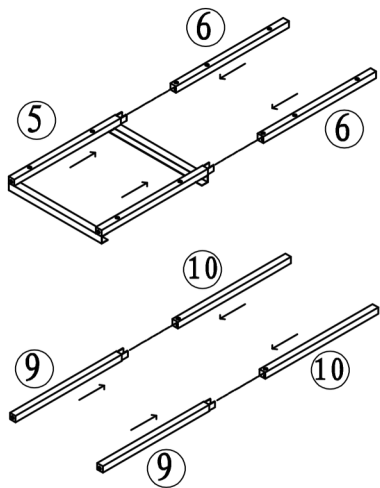
STEP4



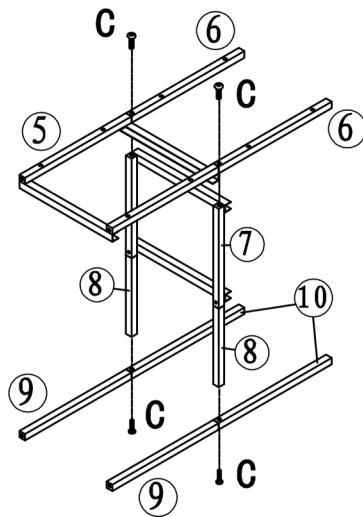
STEP5



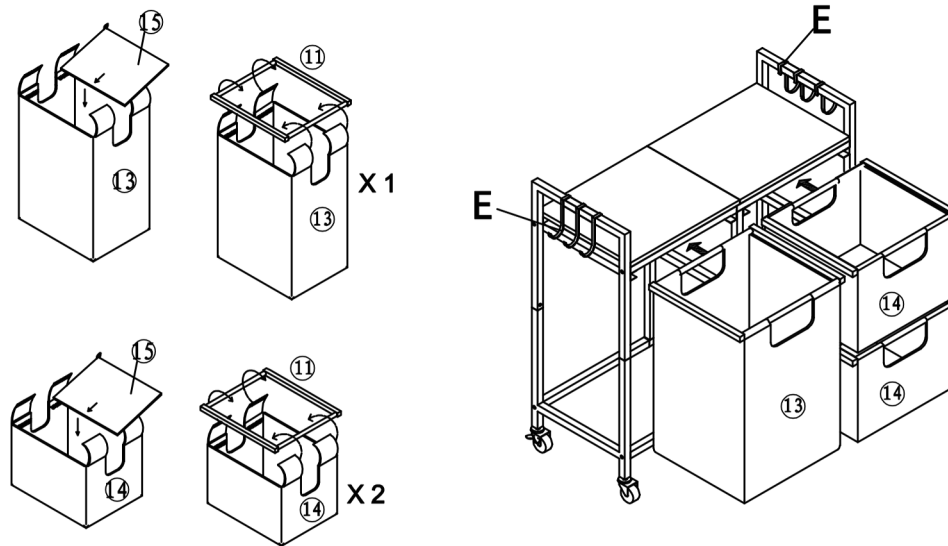
STEP2



STEP3



STEP6



Thank you for choosing this product!

