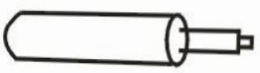

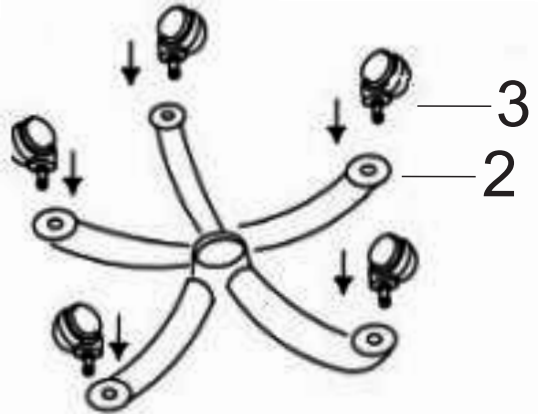
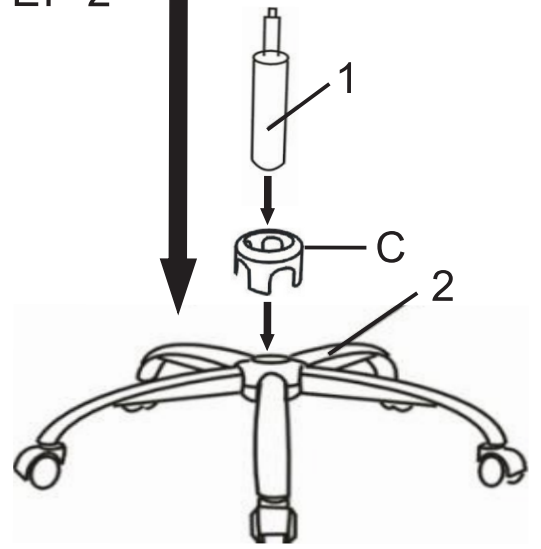


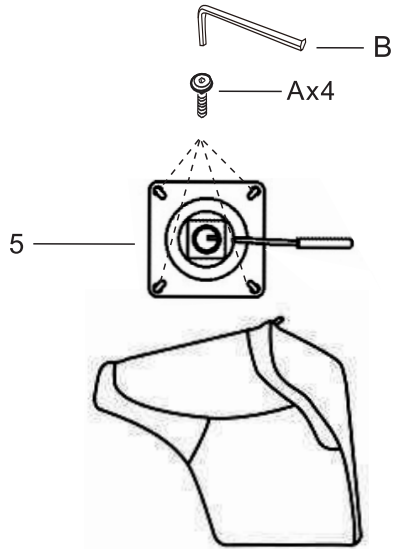
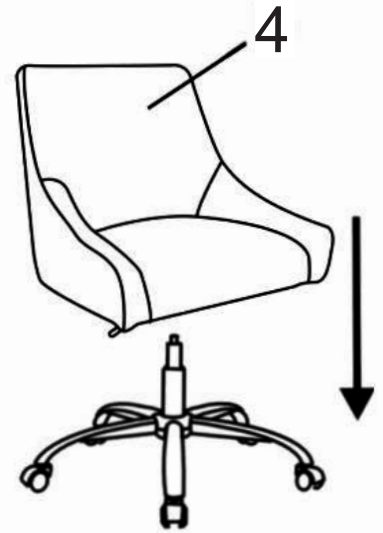




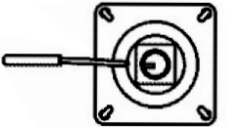


<p><b>1</b></p>  <p>1 PC</p>	<p><b>A</b></p>  <p>4 PCS</p>	<p><b>STEP 1</b></p> 	<p><b>STEP 2</b></p> 
<p><b>2</b></p>  <p>1 PC</p>	<p><b>B</b></p>  <p>1 PC</p>	<p><b>STEP 3</b></p> <p>Do not fully tighten the bolts until all the bolt align with the hole. Pls be sure you align the hole first.</p> 	<p><b>STEP 4</b></p> 
<p><b>3</b></p>  <p>5 PCS</p>	<p><b>C</b></p>  <p>1 PC</p>		
<p><b>4</b></p>  <p>1 PC</p>	<p><b>D</b> EXTRA PARTS</p>  <p>1 PC</p>		
<p><b>5</b></p>  <p>1 PC</p>			