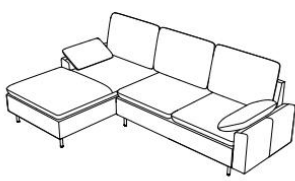

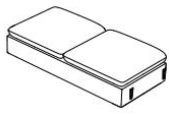
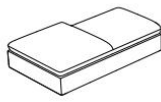


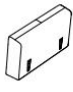




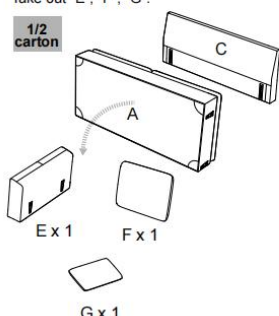


<p>Assembly Instruction (HQ-033)</p> 	<p>Parts List Open the hardware check all parts QTY, thanks  Assemble on a mat that is not easy to scratch</p> <div style="display: flex; flex-wrap: wrap; justify-content: space-around;"> <div style="text-align: center;"> A x 1</div> <div style="text-align: center;"> B x 1</div> <div style="text-align: center;"> C x 1</div> <div style="text-align: center;"> D x 1</div> <div style="text-align: center;"> E x 2</div> <div style="text-align: center;"> F x 3</div> <div style="text-align: center;"> G x 2</div> <div style="text-align: center;"> H x 9</div> </div> <div style="text-align: right; margin-top: 10px;">  Adjusted up or down </div>
---	---

Step 1

Open the velcro on bottom of "A".
Take out "E", "F", "G".

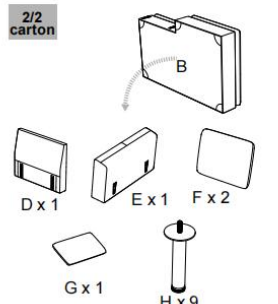
1/2 carton



Step 2

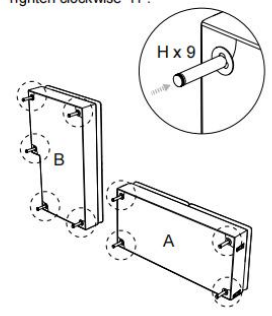
Open the velcro on bottom of "B".
Take out "D", "E", "F", "G", "H".

2/2 carton



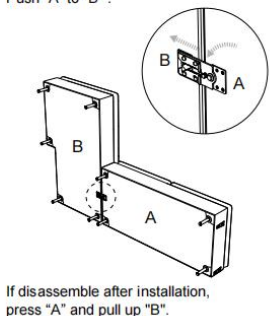
Step 3

Close the velcro on bottom of "A" and "B".
Tighten clockwise "H".



Step 4

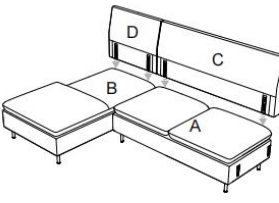
Rotate out saw lock under velcro of "A".
Push "A" to "B".



If disassemble after installation, press "A" and pull up "B".

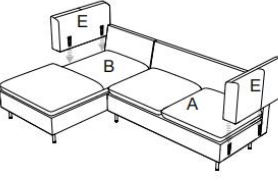
Step 5

Press "C" inserting pieces into "A" slots.
Press "D" inserting pieces into "B" slots.



Step 6

Press "E" inserting pieces into "A" and "B" slots.



Step 7

Place the backrest cushions "F".
Place the armrest cushions "G".

