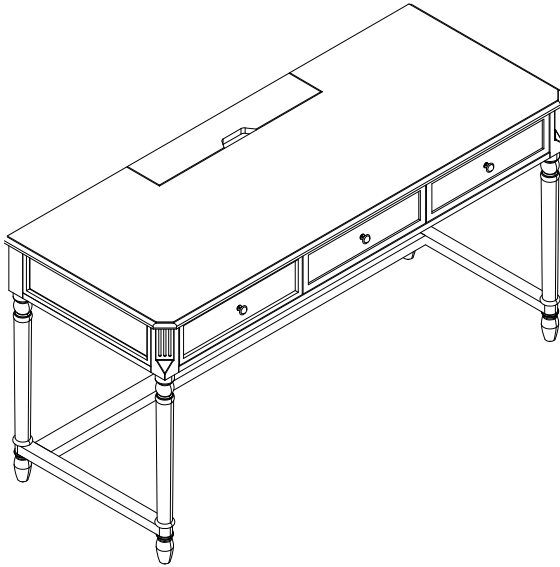


# Installation & Assembly



Weight Limitation

**200 LBS**



Installation:

20 minutes.



Two Person

Thank You For Choosing Our Furniture

- ▾ If you have any questions or concerns, don't hesitate to reach out to us. ▴

## NOTE:

This brochure contains IMPORTANT safety info. Please read and keep it for future reference.

# MAINTENANCE AND WARNINGS



## Before You Start

### ***Please follow the steps below:***

- ⚠ Check the packaging for any damage, deformation, or water stains. If there is significant damage, please contact us promptly.
- ⚠ Unpack the box and compare the contents with the parts list and hardware list to ensure all components and accessories are present and complete.
- ⚠ Please read the installation instructions carefully to understand the installation steps and precautions to ensure proper installation.
- ⚠ Clean the installation area in advance and ensure the ground is level and there is enough space to avoid damaging the furniture or making installation difficult.
- ⚠ Lay a protective mat on the ground to prevent scratching the floor during installation.

### ***After-Sales Service***

- If you encounter any issues or need technical support during use, please contact our after-sales team. We offer long-term maintenance and warranty services.



## Precautions

- ⚠ This product is for indoor use only. Do not expose it to outdoor elements or high-humidity environments.
- ⚠ Keep the product away from high heat or open flames to prevent fire hazards.
- ⚠ Do not allow children to climb on the product, as this may cause tipping and result in personal injury.



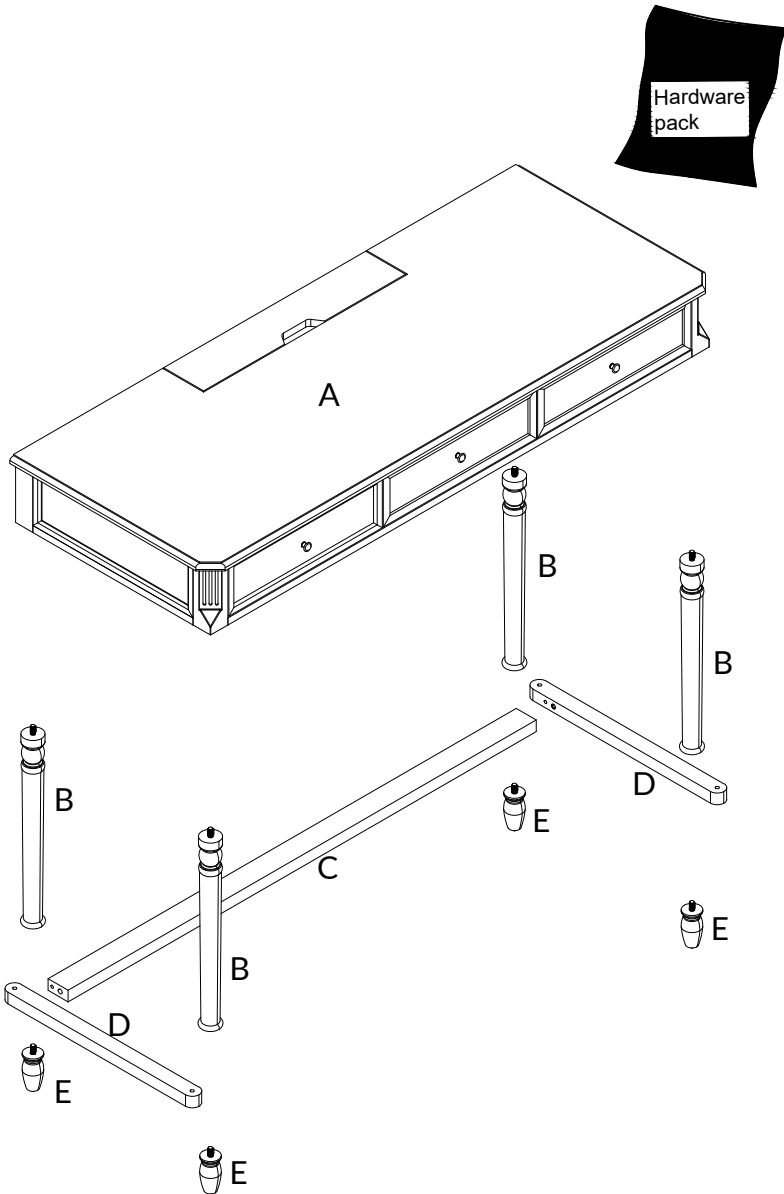
## Safety Warnings

- ⚠ If you notice any loose or damaged parts, stop using the product immediately and contact customer service.
- ⚠ Do not attempt to disassemble or replace any components yourself, as this may affect the stability and safety of the product.

### ***Daily Maintenance***

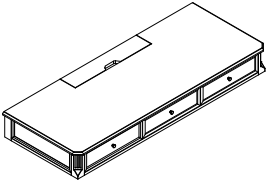
- Regularly clean the surface with a soft cloth to prevent dust accumulation.
- Do not use cleaning agents containing acids, alkalis, or corrosive substances, as they may damage the surface. It is recommended to use neutral cleaning agents or specialized furniture cleaners.
- Avoid exposing furniture to humid environments for extended periods. Use a dehumidifier or desiccant during humid weather.
- Avoid direct contact of furniture with water. If water is accidentally spilled, wipe it dry immediately.
- Avoid placing excessively heavy objects on the furniture: ensure the weight is within a reasonable load-bearing range.
- Avoid using sharp or rough items on the furniture surface to prevent scratches. Handle items gently when moving them.

**Explosive view**



## Parts list

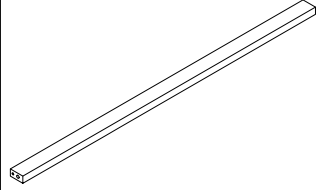
A x1 Table top



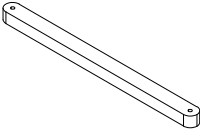
B x4 Table leg



C x1 Connect rod



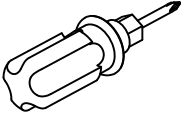


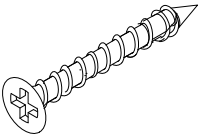
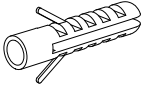
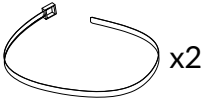

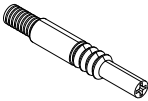
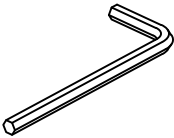
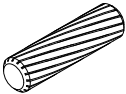
D x2 Connect rod



E x4 Foot

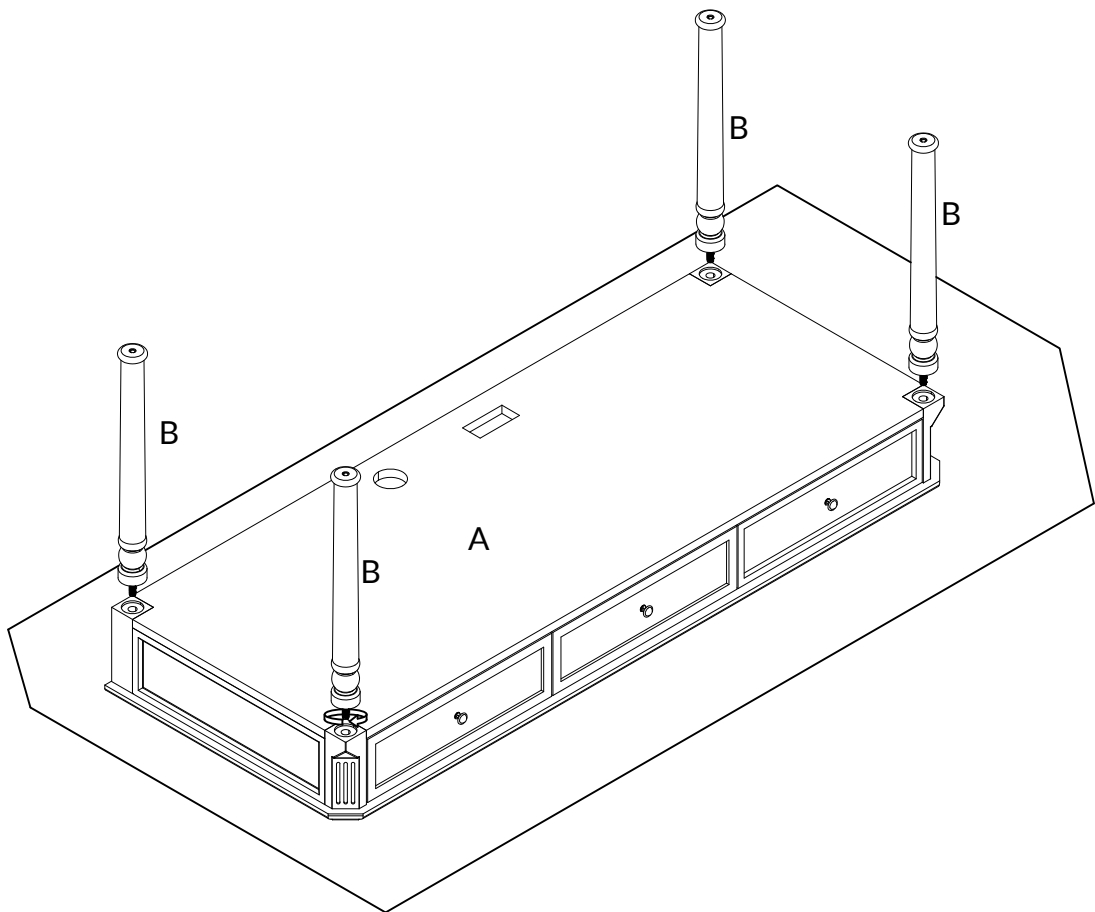


## Hardware List

<p>①x1 Screwdriver</p> 	<p>②x4 Plastic buckle</p> 	<p>③x4 Screw</p>  L3.5*14mm
<p>④x4 Screw</p>  L4x30mm	<p>⑤x4 Expansion pipe</p>  L30mm	<p>⑥x2 Plastic belt</p>  x2
<p>⑦x2 Nut</p> 	<p>⑧x2 Thread bar</p> 	<p>⑨x1 Allen key</p>  L6*78mm
<p>⑩ x2 Wooden dowel</p>  L8*30mm		

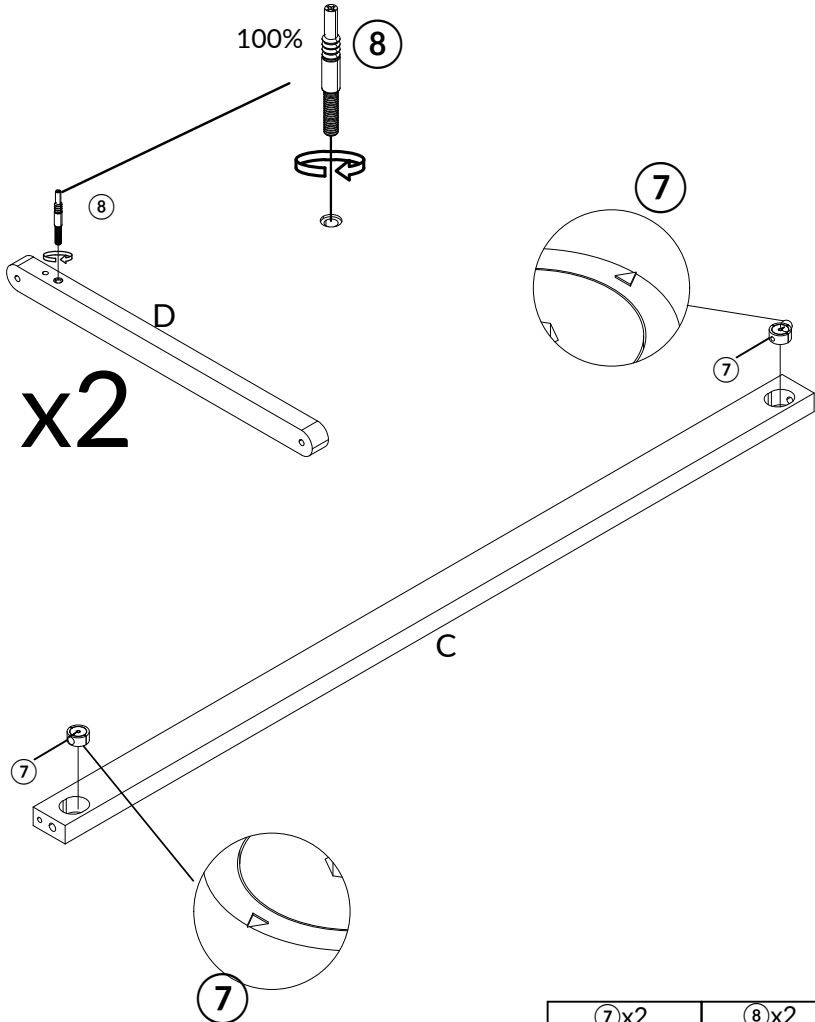
## Step 1

Screw foot B into corresponding hole by hand as picture show



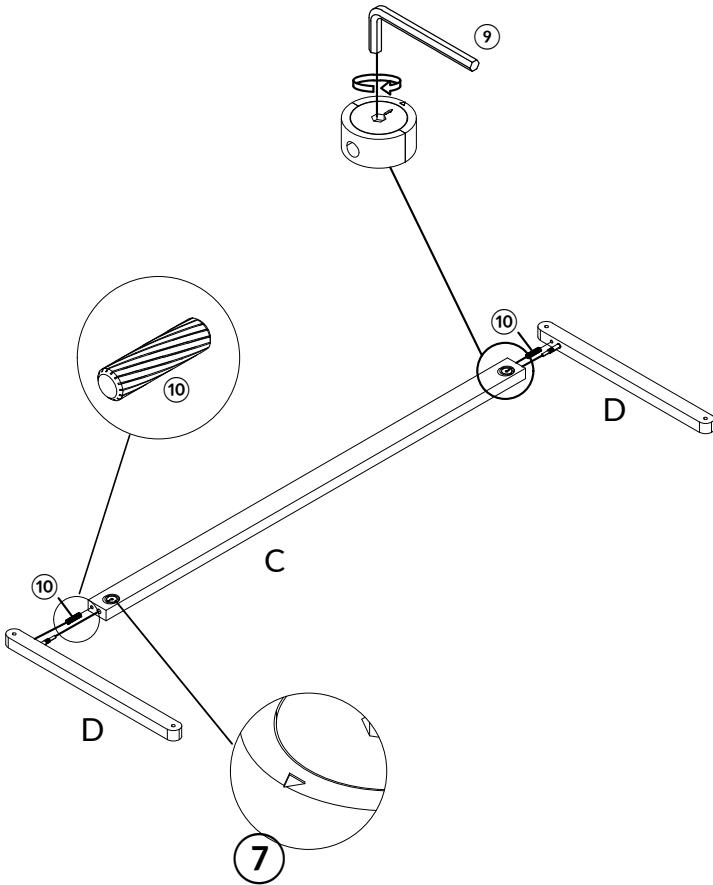
## Step 2

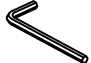

1. Tighten the thread bar #8 into the corresponding hole of D as picture show
2. Insert nut #7 into the corresponding hole of connct rod C, please make sure that the ARROW towards outside



### Step 3

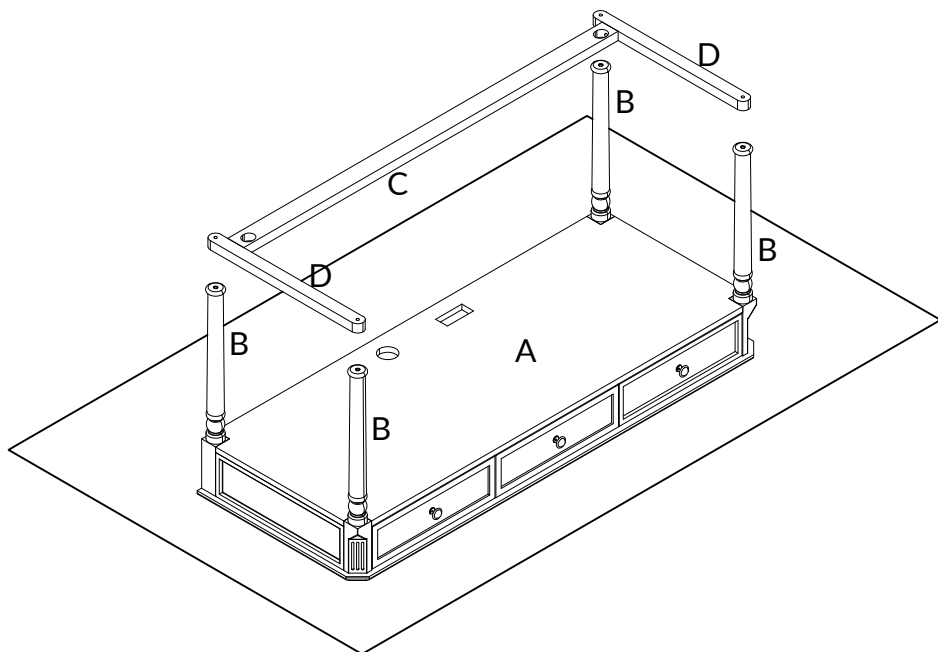
- 1.Align the holes in part D, insert wooden dowel #10 by hand
- 2.Connect the parts D with part C, tighten the nut #7 with allen key #9



⑨ x1	⑩ x2
	
L6x78mm	D8x30mm

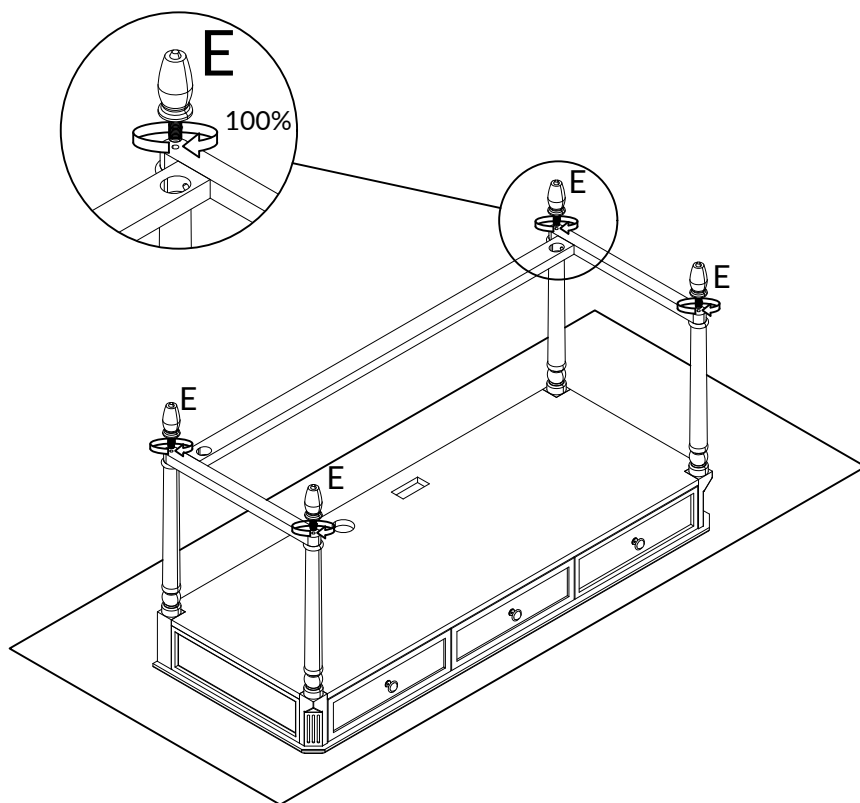
**Step 4**

Connect the prepared C&D with table legs B



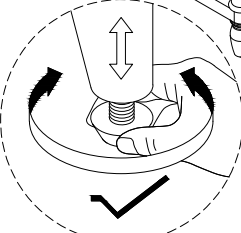
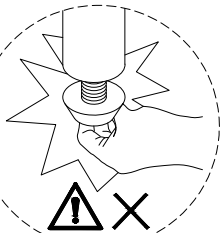
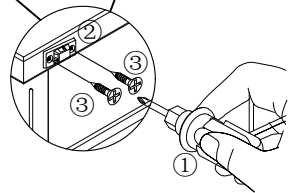
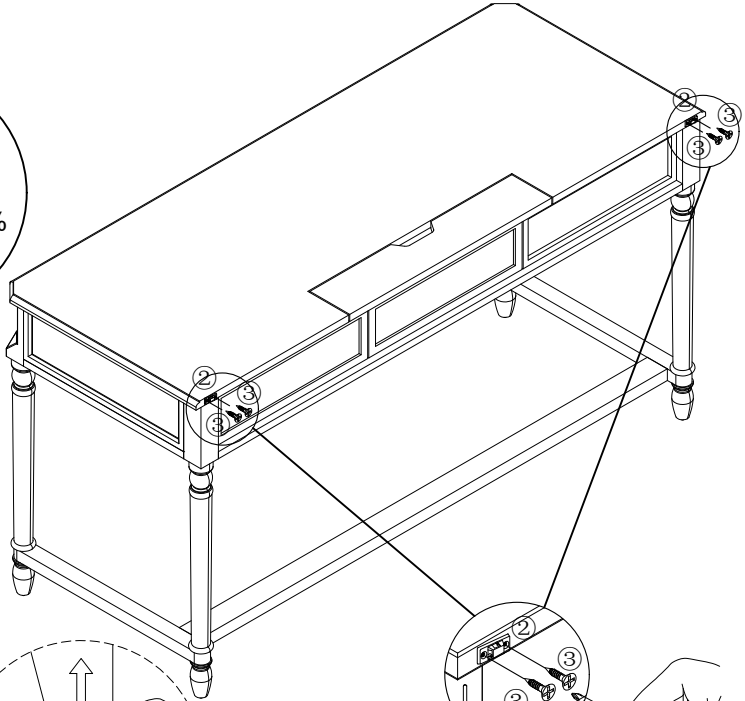
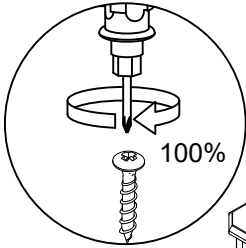
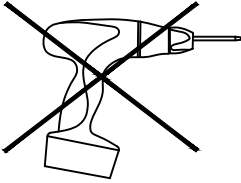
**Step 5**

Screw foot E into corresponding hole by hand as picture show

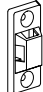
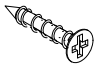
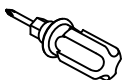


## Step 6

1. Install the anti-collapse device.
2. Use #3 to assemble the part #2 with 1# as picture show



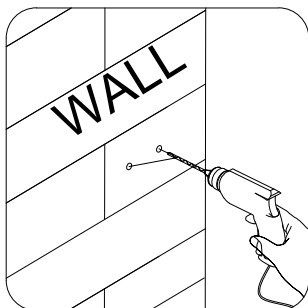
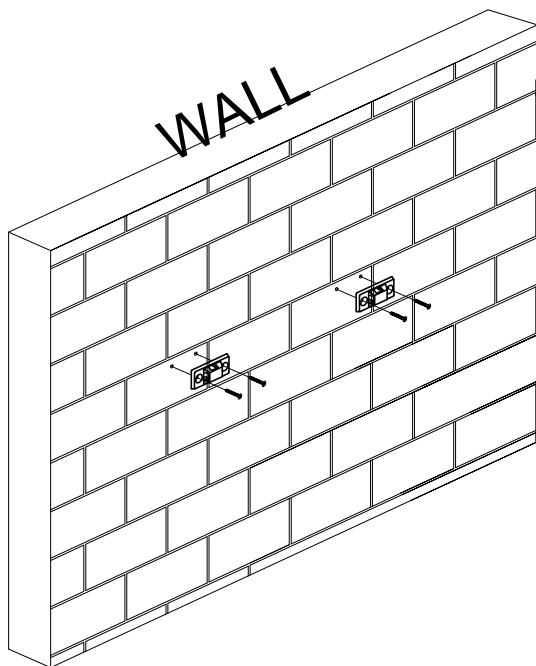
**Attention:**  
Before the next step, adjust the feet of the locker to keep it level.

②x2	③x4	①x1
		
	D3.5x14mm	

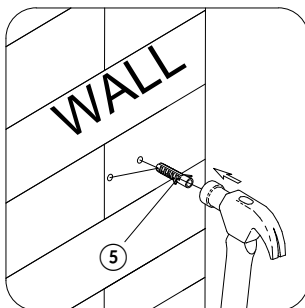
## Step 7

1. Mark the position on the wall, that corresponds to the location of part #2 on the desk; Drill and insert the #5 by hammer.

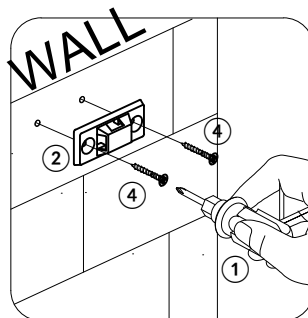
2. Assemble part #2 to the wall. Align the hole in the part #2 & #5, Use #4 to attach it and tighten by #1



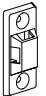


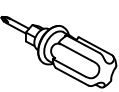
1. Drill a hole in the wall with an electric drill.



2. Tap the plastic wall anchor into the hole with a hammer.



3. Secure the Anti-tip device to the wall with screws

② x2	④ x4	⑤ x4	① x1
	 D4x30mm		

## Step 8

### WARNING

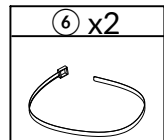
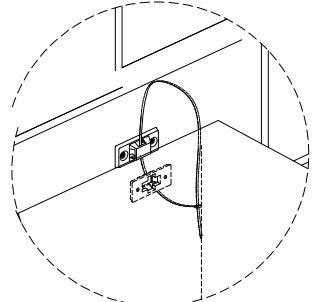
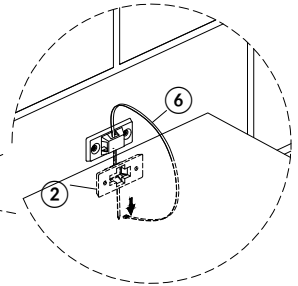
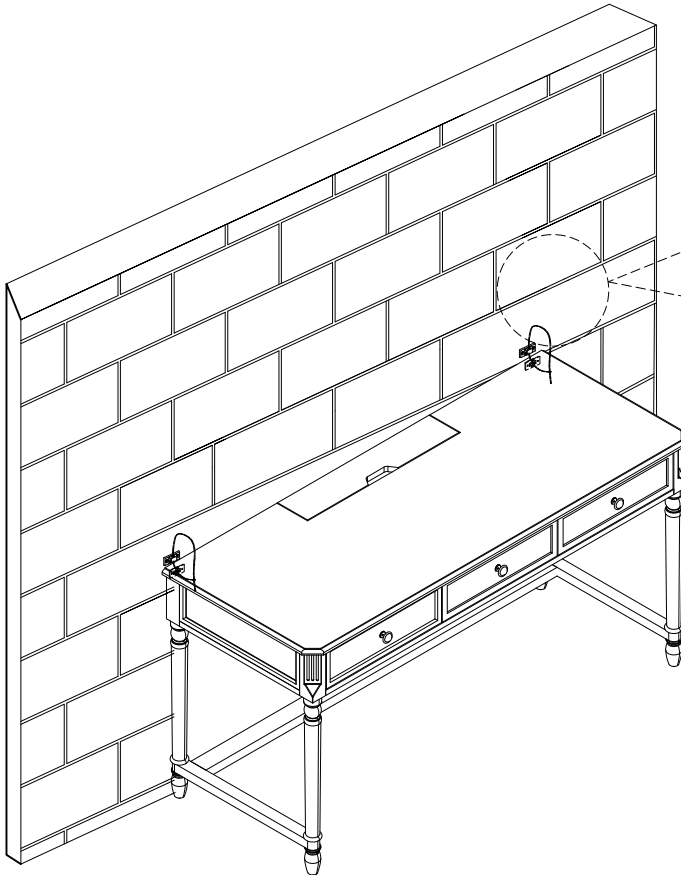
**Children have died from furniture tipover.**

**To reduce the risk of furniture tipover:**

- ALWAYS install Anti-tip device provided.
- For use with televisions weighing 35 lb or less. Use with heavier televisions may result in instability causing tip-over resulting in death or serious injury.
- NEVER allow children to stand, climb or hang on drawers, doors, or shelves.
- NEVER open more than one drawer at a time.
- Place heaviest items in the lowest drawers.



Let the part #6 pass through the both parts #2 and pull tightly



# WARRANTY

- We strive to offer quality products, and we also try our best to satisfy every customer who orders from us with products or services as needed.
- Replacement parts can be purchased from our company if available.
- For returns, please check the return policy with the retailer or marketplace where you purchased the item.

We appreciate your purchase.  
Brighten your life with our furniture!