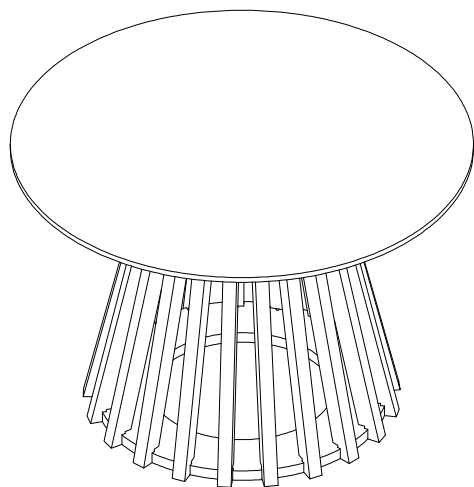
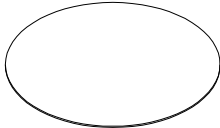

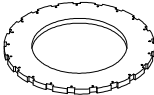



ASSEMBLY INSTRUCTION

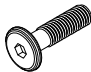
Coffee table
YAS19014CT

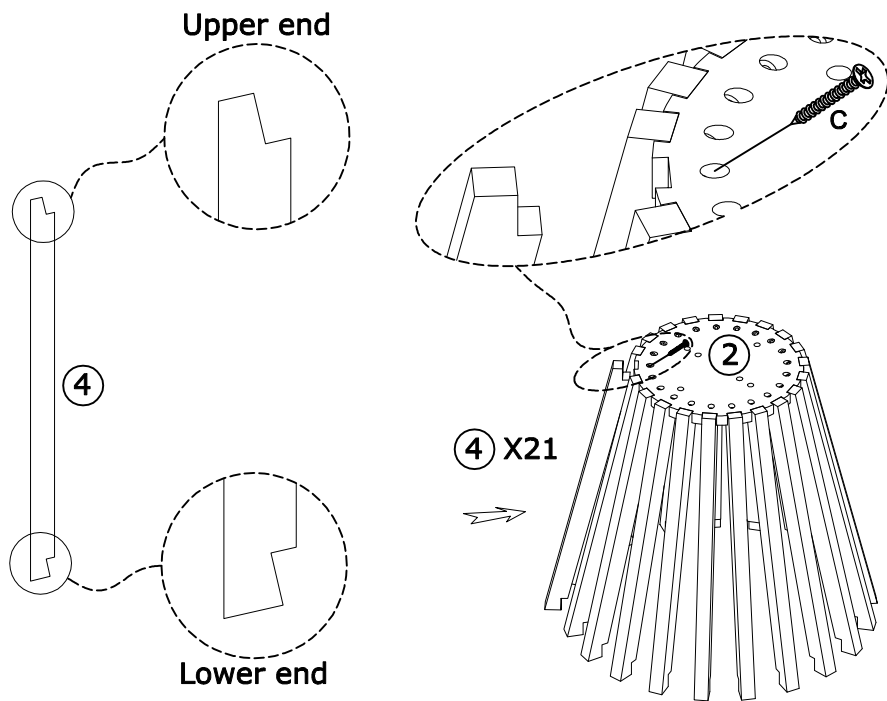


Component List

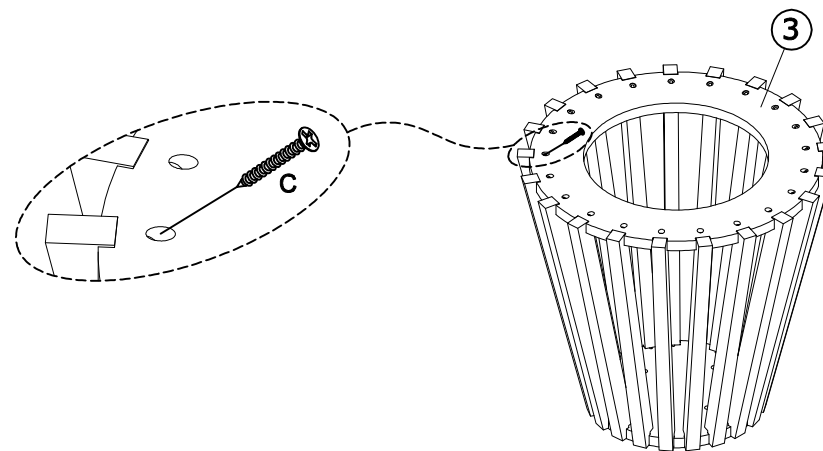
LABEL		DESCRIPTION	QTY
①		Top board	1
②		Base top	1
③		Base bottom	1
④		Slat	21

Hardware List

LABEL		DESCRIPTION	QTY
A		Allen key 4mm	1
B		JCBC Screws M6x30mm	4
C		Screws Ø4x32mm	42
D		Spring washers M6	4
E		Flat washers M6	4



Note: Can be installed using a screwdriver or electric screwdriver.



Note: Can be installed using a screwdriver or electric screwdriver.



