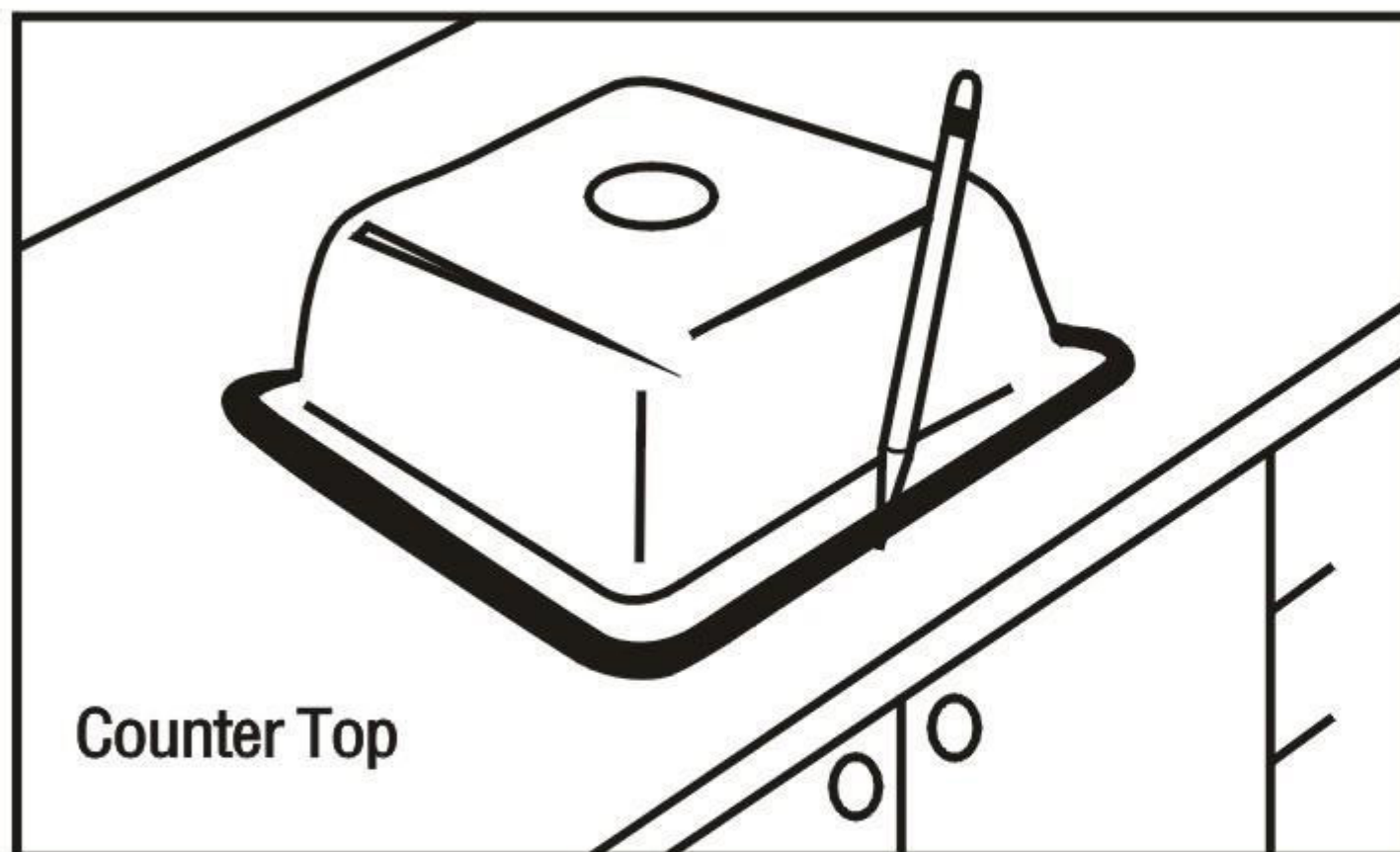


# STAINLESS STEEL SINK INSTALLATION INSTRUCTIONS

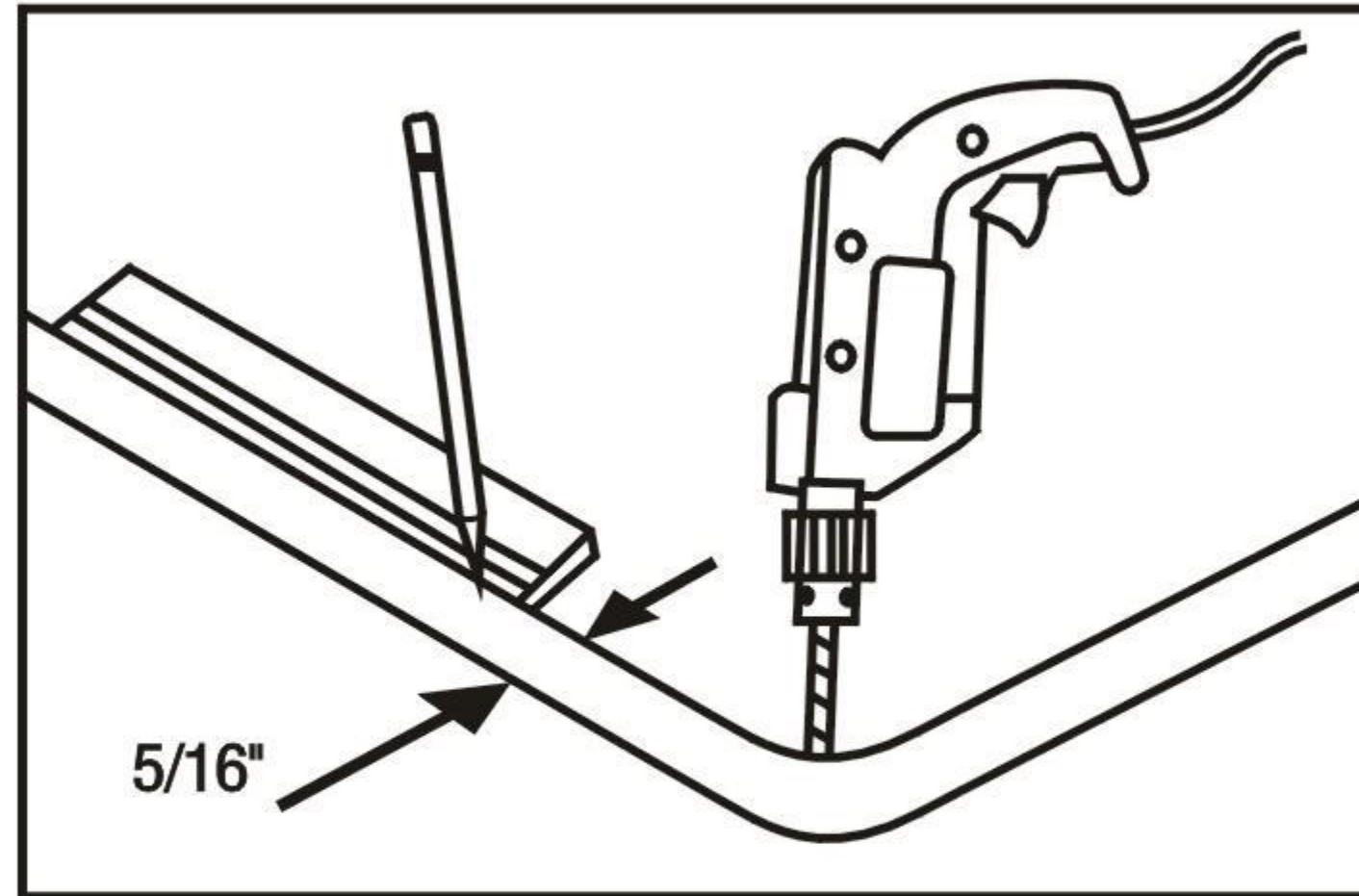
1. Remove your new sink from the carton. Use caution as sink edges may cause minor cuts. Wear safety gloves for your protection.
2. Remove your old sink and check cutout opening of the counter top to be sure it is sized properly. See cutout dimensions below and verify your new sink will fit to the opening by setting new sink to the counter top temporarily. Cutout dimensions of all sinks are as below.

| Sink Type   | Overall size | Cotout dimension  |
|-------------|--------------|-------------------|
| Single Bowl | 25"x 22"     | 24-3/8" x 21-3/8" |
| Double Bowl | 33"x 22"     | 32-3/8" x 21-3/8" |
| Mobil Home  | 33"x 19"     | 32-3/8" x 18-3/8" |
| Bar Sink    | 15" x 15"    | 14-3/8" x 14-3/8" |

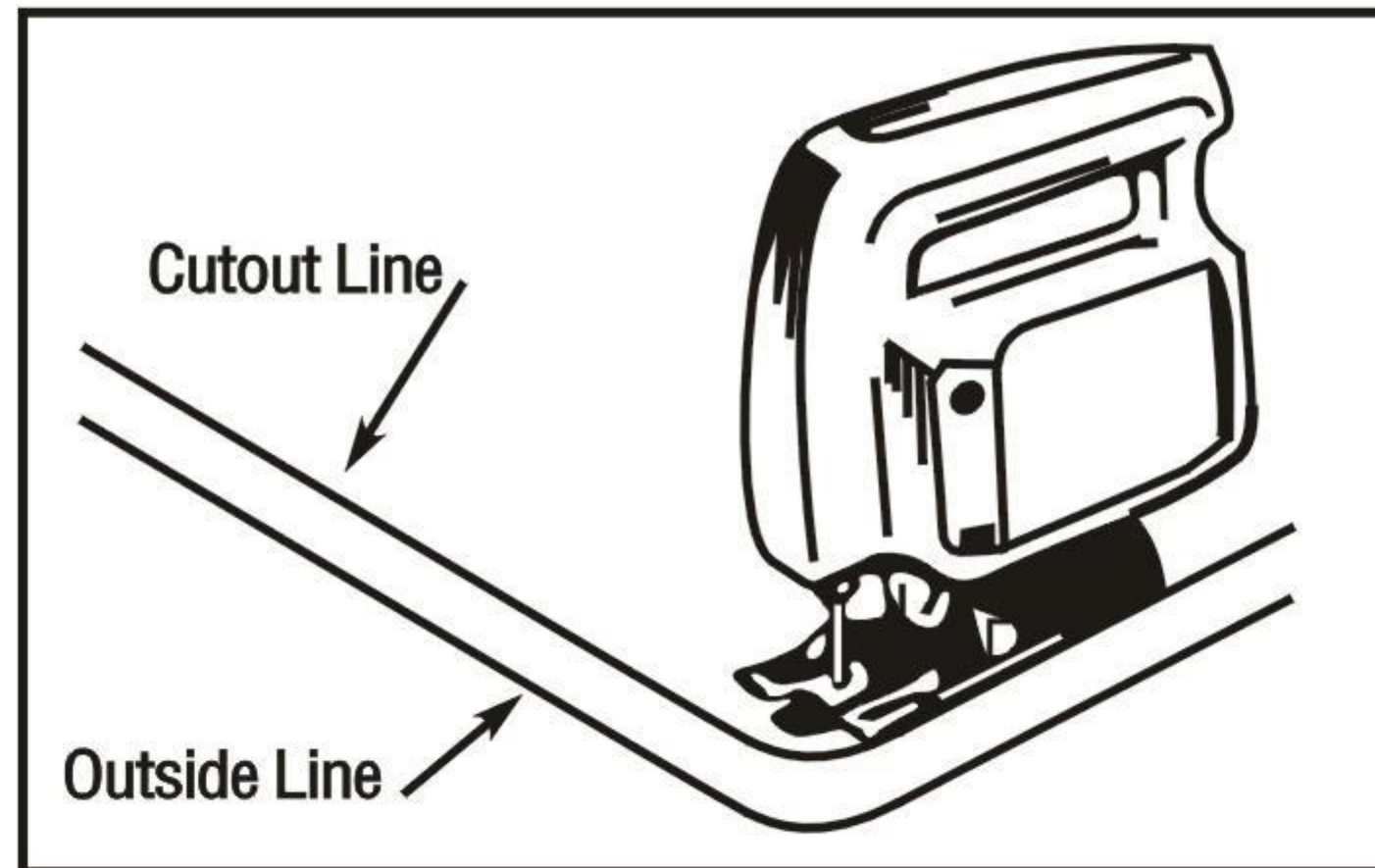
3. If you are installing a sink to a new counter top please follow directions as shown below.
4. Place sink upside down on the counter top in desired position and trace completely outside sink rim using soft lead pencil.



5. Remove sink from counter top and draw cutout line 5/16" inside the original rim out side line with 1-1/2" radius at corners. Drill hole at the inside corner of the cutout line.

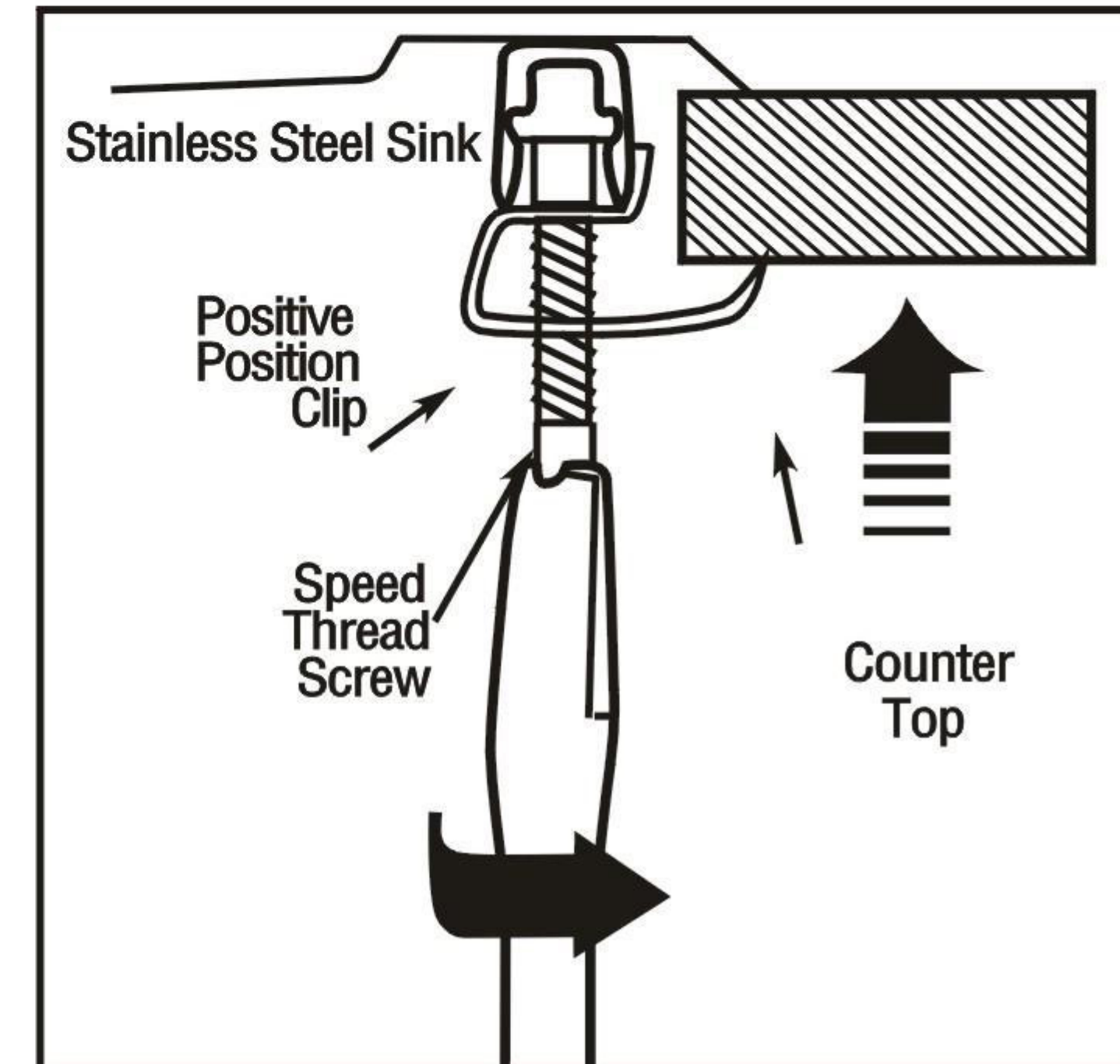


6. Using a sabre saw, start cutting from the drilled hole along the cutout line. Support cutout until the cut is completed.



7. Apply caulking compound around the perimeter of the cutout opening.
8. Attach faucet and sink strainer as necessary. Follow installation instructions supplied with faucet.
9. Insert clips into the channel, placing screw head inside the channel. Locate 3 clips in front and back. 2 clips to each side, and arrange spacing evenly around the sink. Position the clip assembly parallel to the channel.

10. Place the sink carefully into the cutout opening and be sure it is properly seated. Make sure sink rim covers caulking all around. Press down firmly around perimeter of the sink rim.



11. Rotate clamp of the clip 90 degrees to the channel and tighten screw clockwise from the center clip using long screw driver.
12. Tighten all clips evenly and do not over tighten as damage can result.
13. Install drain and water supply fitting as necessary. Wipe excess caulking compound and check carefully as some adjustment for position and tightness may be required.
14. Care and Maintenance  
Rinse thoroughly with a mild soap, warm water and wipe dry. Rub lightly with soft cloth in direction of grain lines. To avoid damage to sink surface and discoloration, never use a steel wool or scouring pad. Always rinse after each use and wipe dry.