








# ASSEMBLY INSTRUCTIONS

Dimensions : 108"W x 42"D x 4 1/2"H

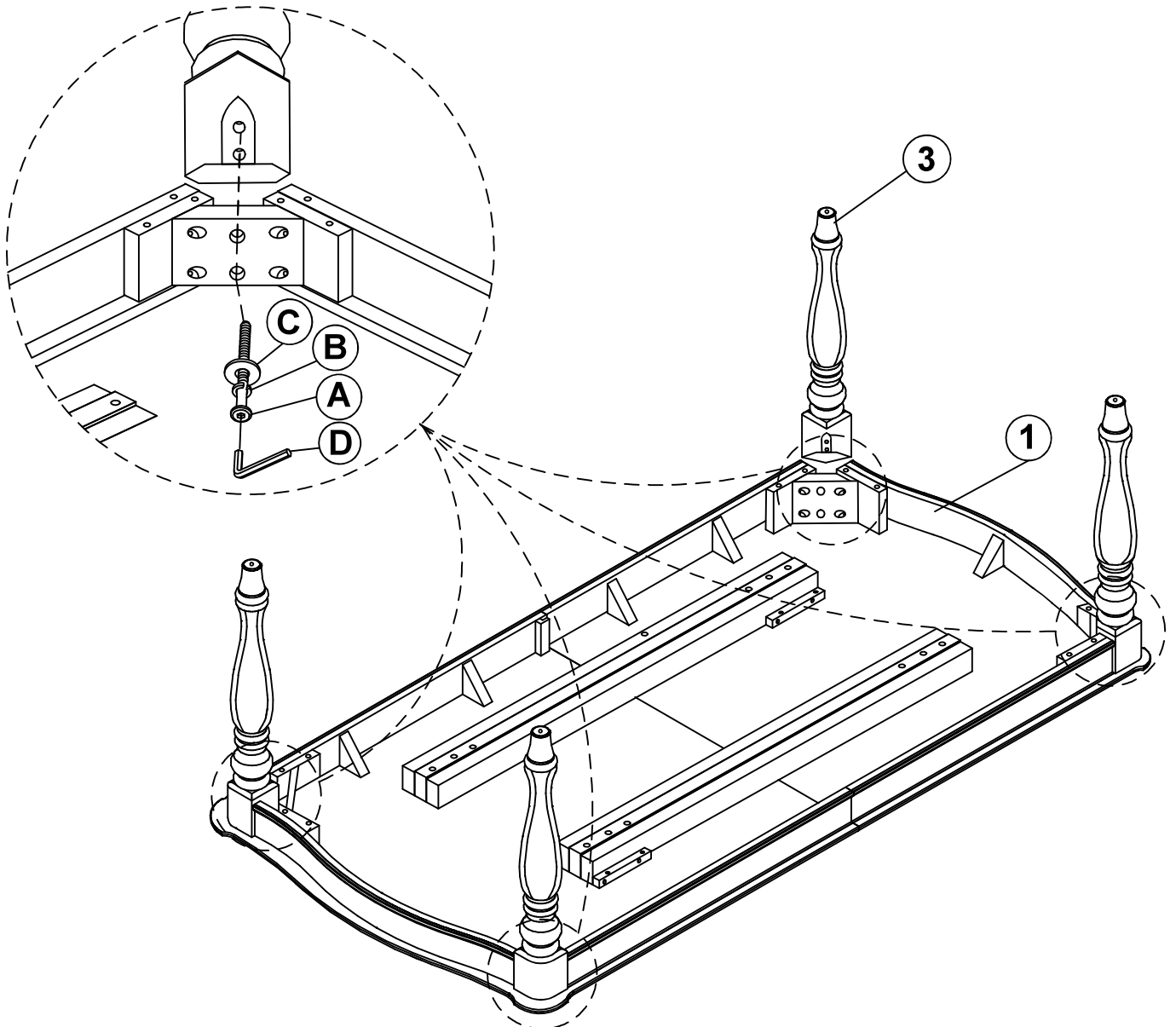
Item No : F2571-2573

Description : TABLE

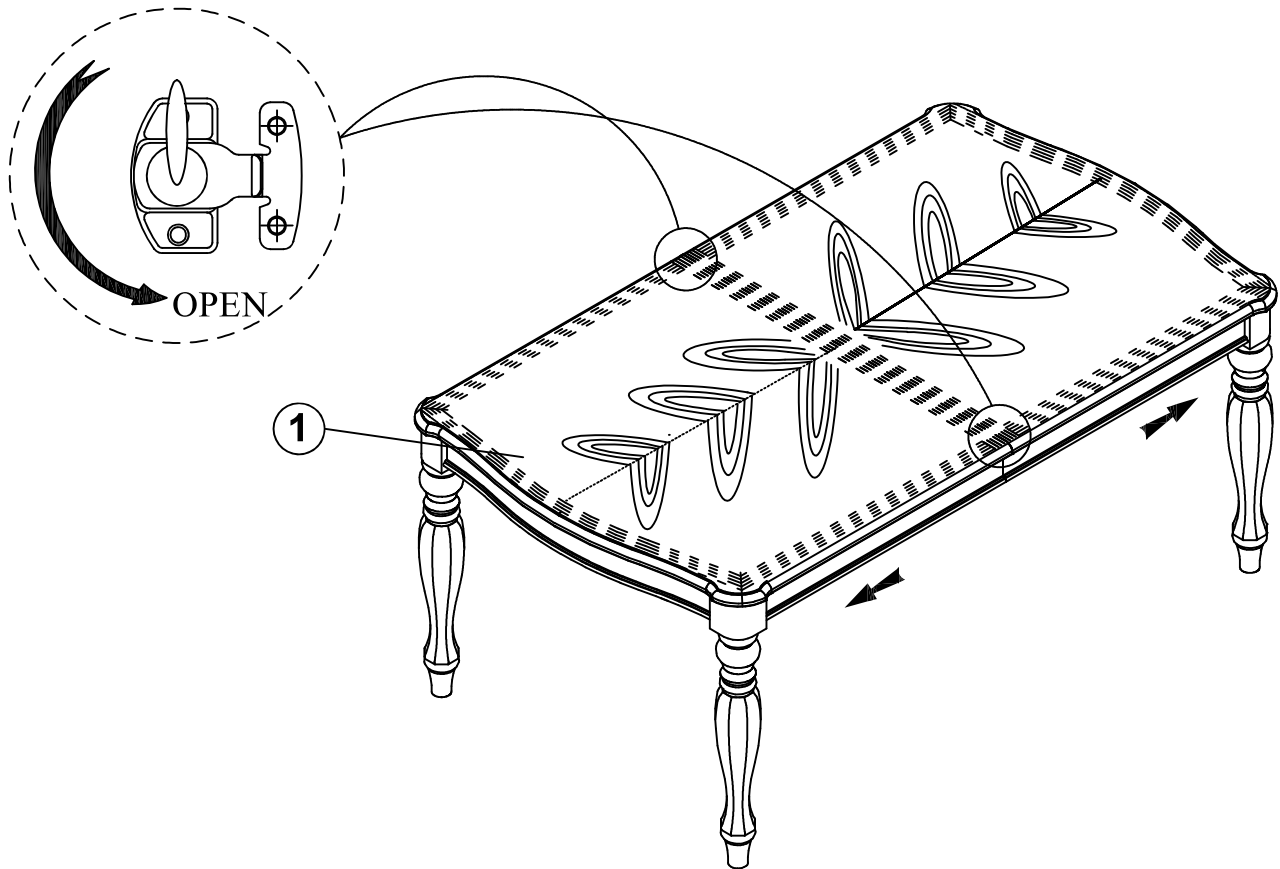
No	LIST OF PARTS	Q'TY
1	Table Top 	1pc
2	Table leaf 	2pcs
3	Table Leg 	4pcs

No	LIST OF HARDWARE	Q'TY
A	Bolt 	Ø5/16" x 75 mm 8pcs
B	Lock Washer 	Ø5/16" x 10D x 1.1mm 8pcs
C	Flat Washer 	Ø5/16" x 22D x 2mm 8pcs
D	Allen wrench 	58 x 4mm 1pc

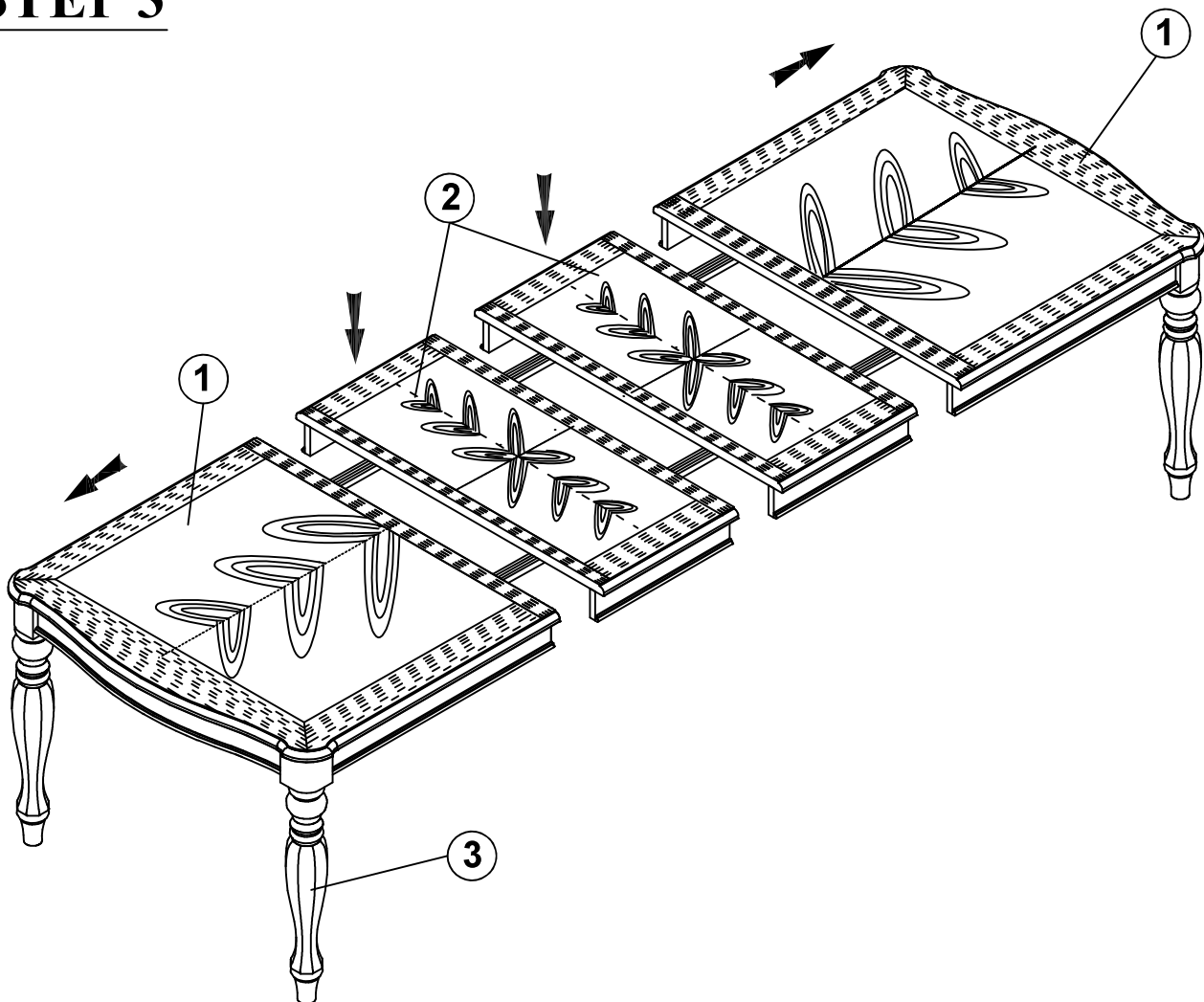
## STEP 1



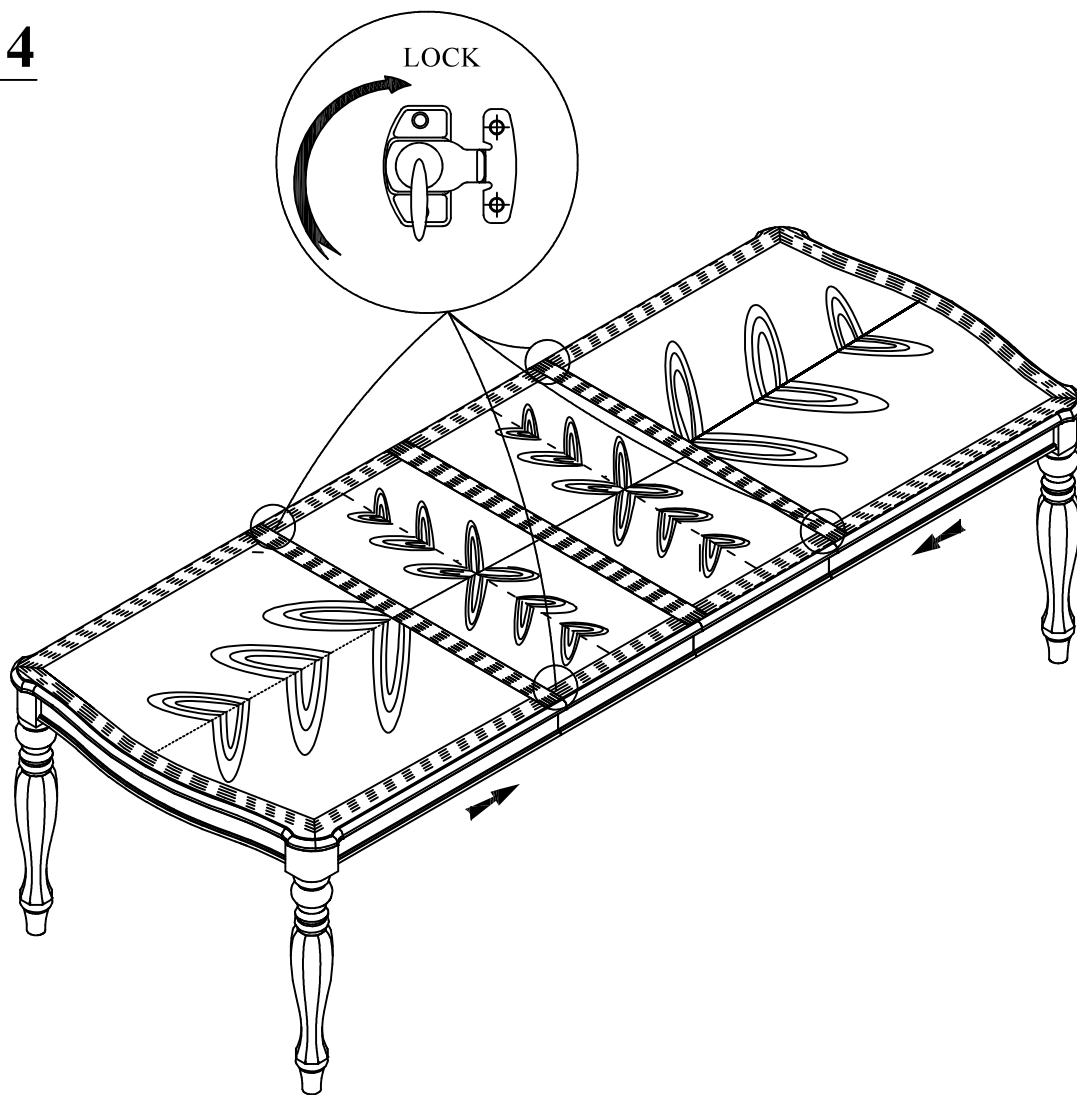
## STEP 2



## STEP 3



# STEP 4



# STEP 5

