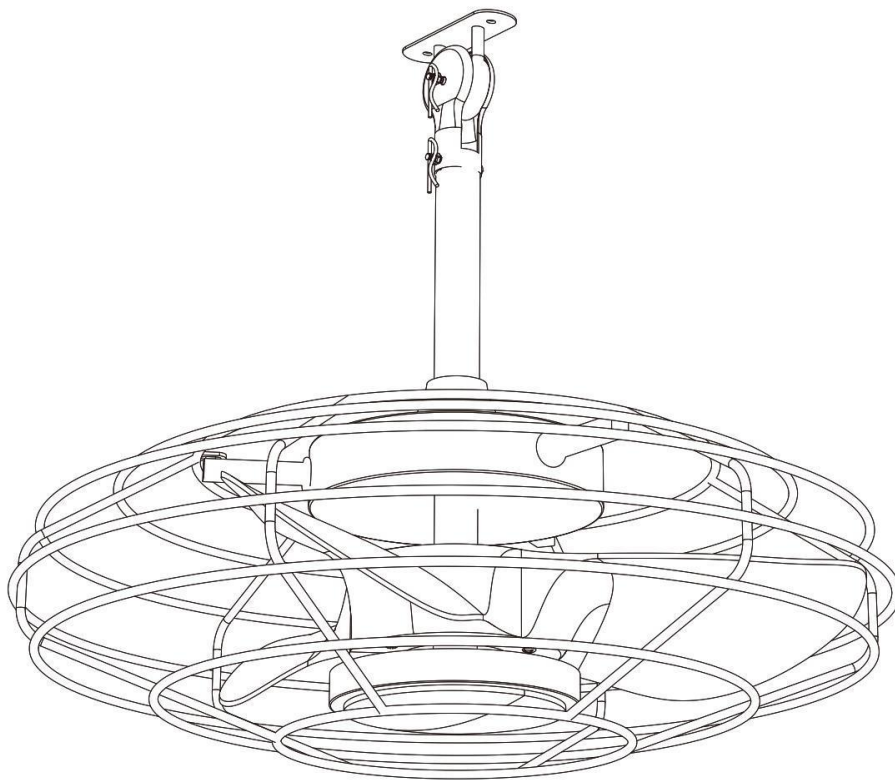

Ceiling Fan With Light

User Manual



SAFTY RULES

1. Before starting, turn off the power to the fan at the main circuit panel to reduce the risk of electric shock.
2. All wiring must comply with local or national electrical codes and should be installed by a qualified electrician.
3. When handling fan parts with sharp edges, gloves may be necessary to avoid personal injury.
4. Ensure the installation site allows clear space for the blades to rotate and at least 7 feet (2.13 meters) of clearance between the floor and the tips of the fan blades. Mount the fan so that the tips of the blades are at least 18 inches (45.72 centimeters) from walls or other upright structures.
5. **WARNING:** Only mount the fan to an outlet box marked acceptable for fan support, and use the provided mounting screws. Most outlet boxes for lighting fixtures are unsuitable for fan support and may need replacement. Consult a qualified electrician if unsure.
6. The outlet box and ceiling support structure must be securely mounted and capable of supporting at least 45 kilograms.
7. Be cautious when working around or cleaning the fan to avoid personal injury or damage to the fan and other items.
8. Use a dry dust cloth or lightly dampened cloth for cleaning the fan or fan blades. Do not use water or detergents.
9. After making electrical connections, carefully push the spliced conductors upward into the outlet box. Spread the wires apart with the grounded conductor and equipment-grounding conductor on one side of the outlet box.
10. Electrical diagrams are for reference only.
11. The fan can be installed in indoor spaces or in covered outdoor areas such as patios, screened porches, and sunrooms.

TOOLS REQUIRED



This manual is designed to make it as easy as possible for you to assemble, install, operate and maintain your ceiling fan.

Materials

⚠ WARNING
<p>Before you start putting together your ceiling fan, be sure to check out the section on the correct wiring process for your fan (page 4). If you're not confident in your wiring skills or don't have enough experience, it's a good idea to have a licensed electrician install your fan for you</p>

The wiring outlet box and box connectors should meet the specifications outlined in the local building code. For the minimum wire, a 3-conductor (2-wire with ground) of the appropriate size must be used as per the guidelines.

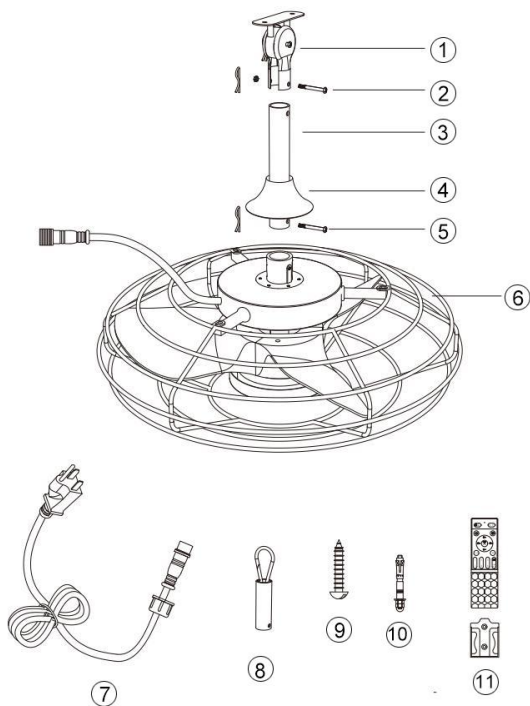
<u>Installed Wire Length</u>	<u>Wire Size A.W.G</u>
Up to 50 ft	14
50-100 ft	12

Note: Put loose parts into a small container to prevent loss. If you lose any parts, please contact a nearby hardware store.

Package Includes

Check to see that you have received the following parts:

Note: Some parts are already installed on the fan, not all scattered



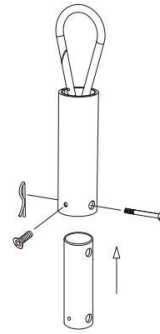
1. Pulley hook
2. Cross Pin & Clamp Pin
3. 6.7 & 13.8 inches Downrod
4. Motor cover
5. Cross Pin & Clamp Pin
6. Ceiling fan body
7. Waterproof Plug in cord
8. Hanging Hook
9. Wood Screws
10. Expansion Screws
11. Remote control & Holder

How to Install Your Ceiling Fan

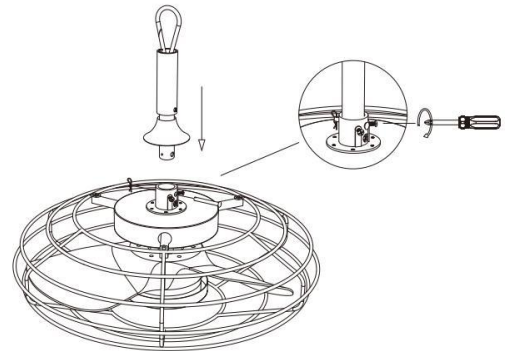
Type 1: Hanging with Hook

Tips: Check out the assembly video on the Amazon product page!

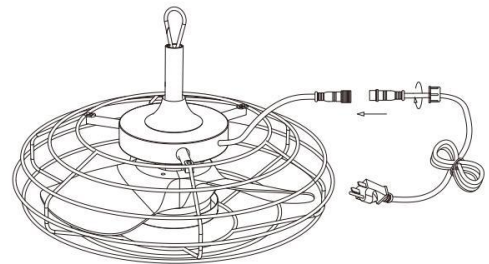
1. Connect the ③ Downrod and the ⑧ Hanging Hook with the ② Cross Pin & Clamp Pin



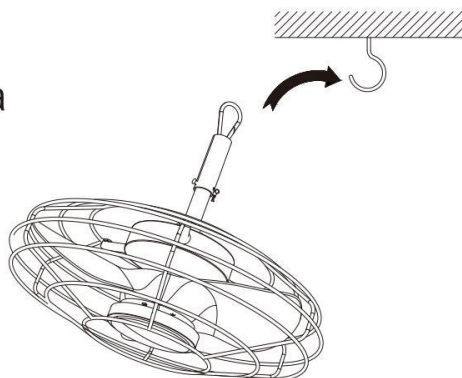
2. Thread the ④ motor cover through the lower bar and secure it with the ⑤ Cross Pin & Clamp Pin. Then lock the two screws next to it.



3. Connect the ⑦ Waterproof Plug Wire to the fan plug and rotate it until it is tight.



4. Suspend the fan to a ceiling with hooks.



How to Install Your Ceiling Fan

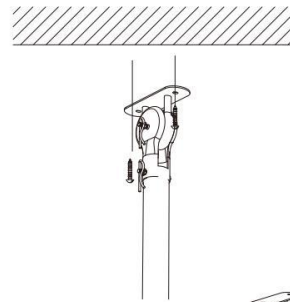
Type 2: Pulley hook

Tips: Check out the assembly video on the Amazon product page!

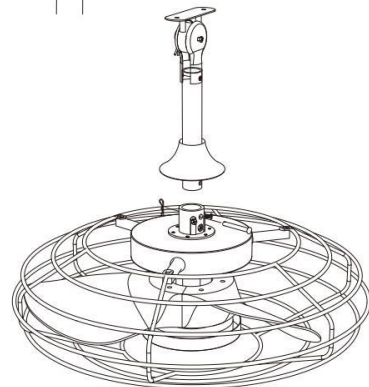
1. Connect the ① Pulley hook to ③ Downrod with the ② Cross Pin & Clamp Pin



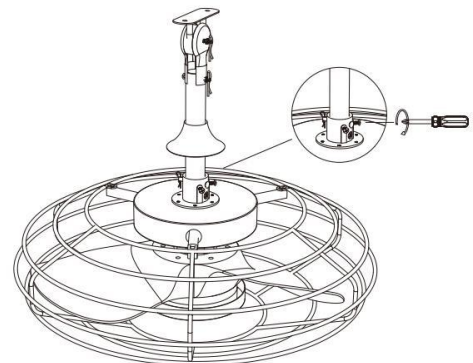
2. Use screws to lock the ① Pulley hook to the ceiling.



3. Thread the ⑤ Cross Pin through the downrod and snap it with the motor cover



4. Then tighten the screws on both sides.



How to operate your ceiling fan

3. To make fan operational, install AAA/1.5V battery (not included) in hand-held remote. Store the remote away from excessive heat or humidity.

4. Remote functions: (Figure 3)

- ON**
OFF
 Light On/Off

- ALL OFF Turn off lights and fans

- Light color change

- Night light mode

- F/R Motor Reverse

- 2H Fan Stops After 2 Hour

- Brightness adjustment

- Color temperature adjustment

- 1,2,3,4,5,6 Wind speed control

- Natural wind

- FAN**
OFF
 FAN OFF

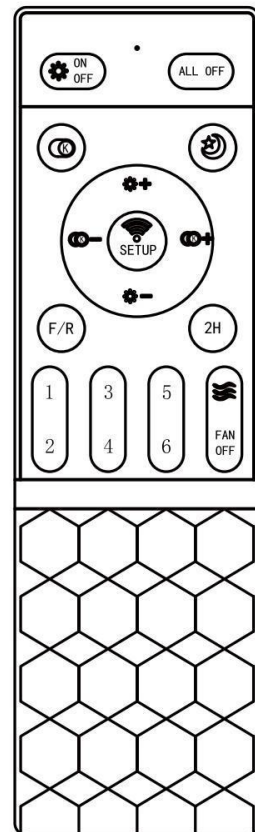


Figure 3

5. If airflow is desired in the opposite direction, directly tap the R/F button on the remote and the fan will stop then rotate in the opposite clockwise direction.

Troubleshooting

WARNING

To ensure your safety, before attempting to troubleshoot, switch off the power supply at the fuse box or circuit breaker.

Trouble	Probable Cause	Suggested Remedy
<p>1. FAN WILL NOT START</p>	<ol style="list-style-type: none"> 1. The fuse or circuit breaker has tripped. 2. There may be loose connections in the power lines to the fan or in the switch housing. 3. The remote control's battery may be dead. 	<ol style="list-style-type: none"> 1. Check the fuses or circuit breakers for the main and subsidiary circuits. 2. Check the connections of the line wires to the fan and the switch wires inside the switch housings. <p>WARNING: Ensure that the main power supply is switched off!</p> <ol style="list-style-type: none"> 3. Install the new battery.
<p>2. FAN SOUNDS NOISY</p>	<ol style="list-style-type: none"> 1. Motor housing screws are loose. 2. Connectors inside the housing are making a rattling noise. 3. Solid state variable speed control is causing the motor to be noisy. 	<ol style="list-style-type: none"> 1. Ensure all screws in the motor housing are tight (but avoid over-tightening). 2. Make sure wire connectors in the switch housing are not making any noise by rubbing against each other or the switch housing's interior wall. <p>WARNING: Make sure to turn off the main power!</p> <ol style="list-style-type: none"> 3. Some fan motors may be affected by solid-state variable speed controls. It's best to choose a different control method instead of solid-state control.
<p>3. FAN WOBBLER EXCESSIVELY</p>	<ol style="list-style-type: none"> 1. The setscrew on the support for lowering the fan is loose. 2. The setscrew on the downrod/hanger ball assembly is loose. 3. The hanger bracket and/or ceiling outlet box are not securely fastened. 	<ol style="list-style-type: none"> 1. Securely tighten both setscrews in the downrod support. 2. Tighten the setscrew in the hanging plate assembly. 3. Tighten the hanger bracket screws to the outlet box and securely fasten the outlet box.

Maintenance

1. Regularly cleaning your new ceiling fan is all that's needed to keep it in good condition. To clean it, simply use a soft brush or lint-free cloth to avoid scratching the surface. You don't need to use any harsh cleaning products, as they could damage the finish.

CAUTION

Avoid using water to clean your ceiling fan as it may harm the motor or the surface and pose a risk of electric shock.

Warranty

Dear valued customer,

We assures you that this product is free from any material and workmanship defects for a period of 1 year from the date of purchase. Please note that this warranty will not apply if the product has been mishandled, accidentally damaged, or used in any way other than intended.