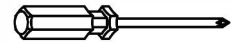


# ASSEMBLY INSTRUCTIONS

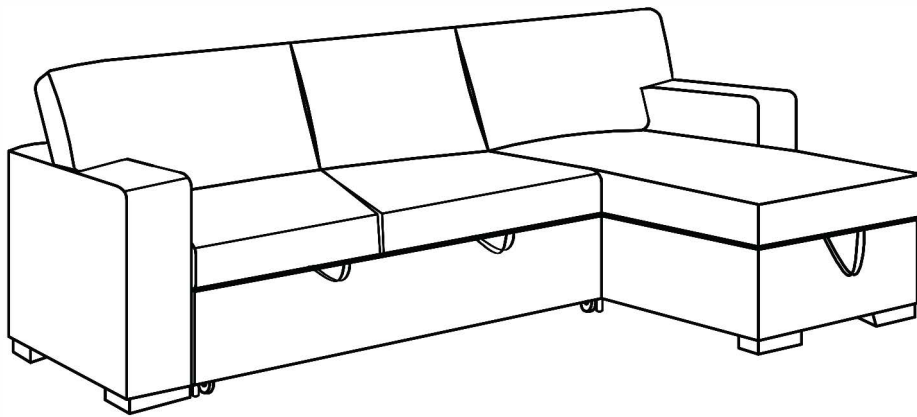
---

## TOOLS REQUIRED



Phillips Screwdriver

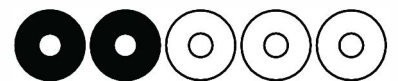
(Not Included)



2 - People

Recommended

## ASSEMBLY RATING



EASY —————> DIFFICULT

The Assembly Rating is a 5-point system showing the level of effort needed to assemble a specific product.



## **CHECK BEFORE STARTING**

### **Are you missing anything?**

Double-check all parts, hardware and accessories listed are all accounted for.

### **Check out our Quick Tips!**

We recommend reviewing the pre-assembly handouts. Even experts need a refresher now and then!

### **Should we send any replacements?**

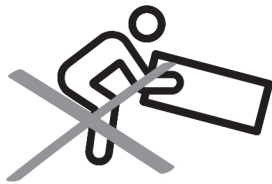
Are there any irregularities or flaws in the parts? We can send replacements!

### **Prep Time!**

Please review the assembly instructions and all diagrams prior to assembling.

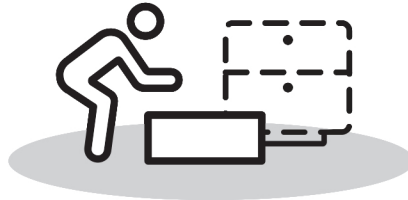
# PRE ASSEMBLY INTRODUCTION

We understand building ready-to-assemble furniture can be a challenging experience for some. To help avoid confusion, we have provided some helpful tips that may speed up the process.



## Teamwork

ALWAYS have at least two people to help with transporting and assembling the product to avoid potential injury and/or damage.



## Suitable Location

Assembling near the area of the intended location is highly recommended.



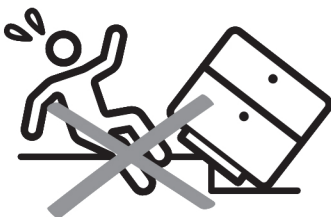
## Sufficient Space

Make sure you have enough space to move around during the assembly.



## Avoid Scratches

Use cardboard, blankets or a carpeted area while assembling furniture to prevent to prevent scratches and damages.



## Flat Surface

Make sure the furniture rests on a flat and level surface with each leg evenly touching the floor.

# ASSEMBLY AND CARE ADVICE



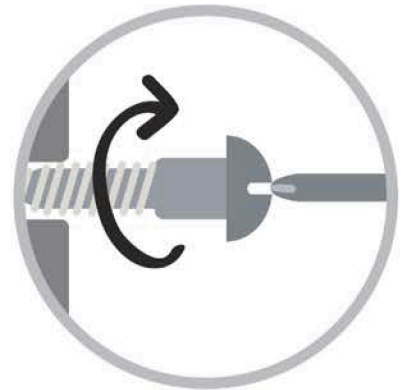
**FAILURE TO FOLLOW THE GUIDELINES BELOW MAY RESULT IN INJURY AND/OR PROPERTY DAMAGE.**



Position each part correctly and insert screws or bolts into their respective holes.



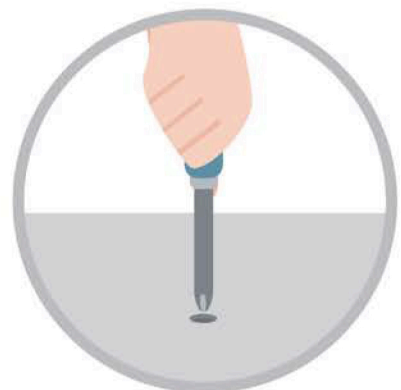
Use the appropriate hand tools or power tools for assembly. Select steps, such as tightening screws and/or bolts, may require hand tools to avoid causing damage during assembly.



Turn clockwise to tighten and only tighten when step is completed or when instructed to do so.



Save the instructions and store any supplied tools for later maintenance.



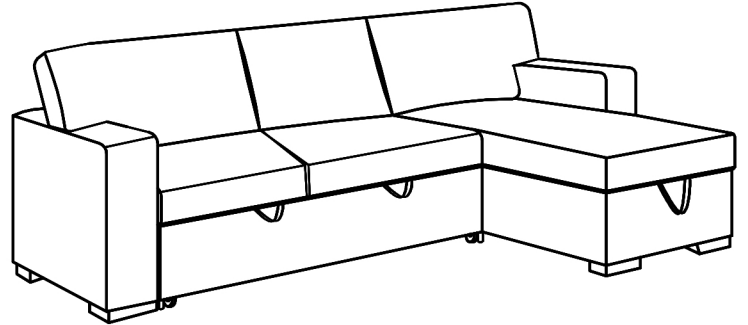
After two weeks, check and tighten any loose hardware and repeat again every six months thereafter.

**IT IS THE USER'S RESPONSIBILITY TO MAINTAIN THE FURNITURE. THE HARDWARE MAY LOOSEN OVER TIME AND MAY CAUSE THE FURNITURE TO BE WOBBLY AND UNABLE TO SUPPORT ITS INTENDED WEIGHT CAPACITY. THIS MAY LEAD TO COLLAPSE AND MAY CAUSE SERIOUS INJURY.**

# SOFA

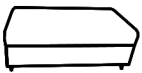


- Please keep instructions for future reference.
- Check the quantity and irregularity of parts and hardware before you start.



## PARTS

#1 1pc



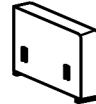
Love seat

#2 1pc



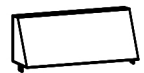
Chaise

#3 2pcs



Arm (L&R)

#4 1pc



Backrest (Long)

#5 1pc



Backrest (Short)

#6 1pc



Cushion

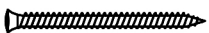
#7 2pcs



Cushion (L&R)

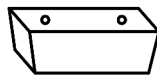
## HARDWARE

#A 10pcs



Screw #8 x 40mm

#B 2pcs



Legs

#C 6pcs



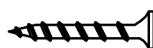
Legs

#D 4pcs



Roller

#E 16pcs



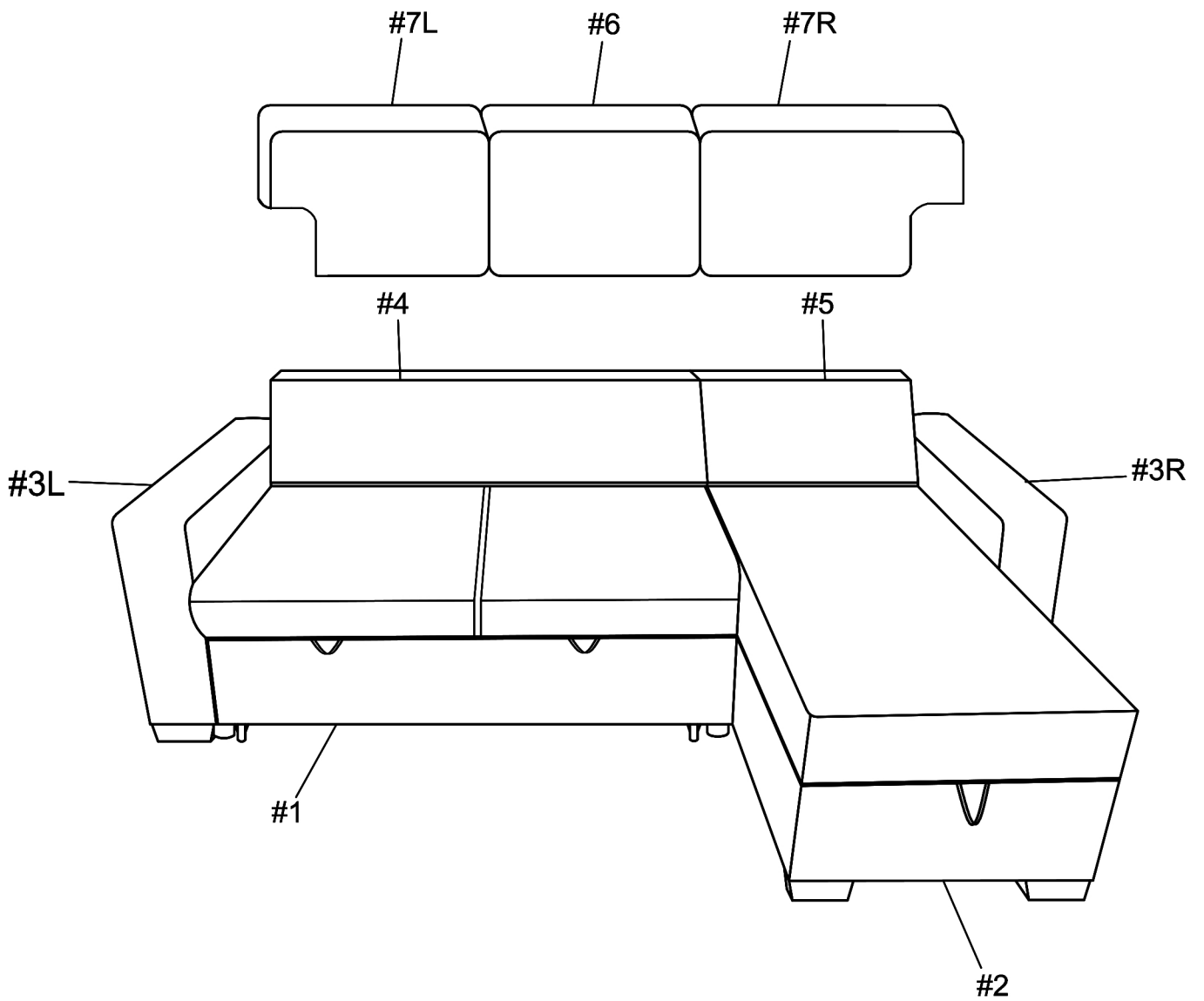
Screw #8 x 20mm

#F 4pcs



Bracket

# Exploded View

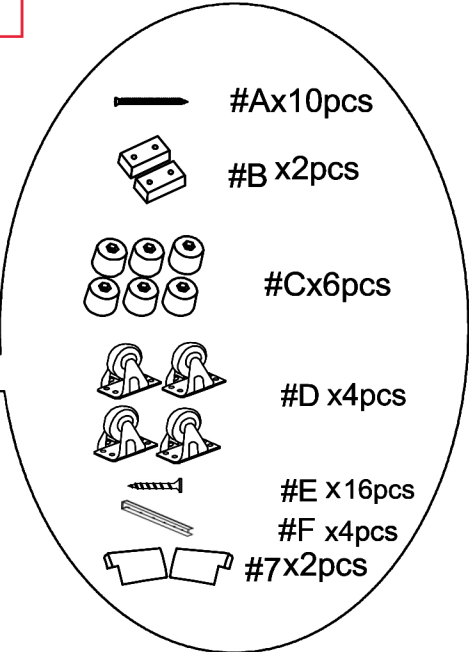
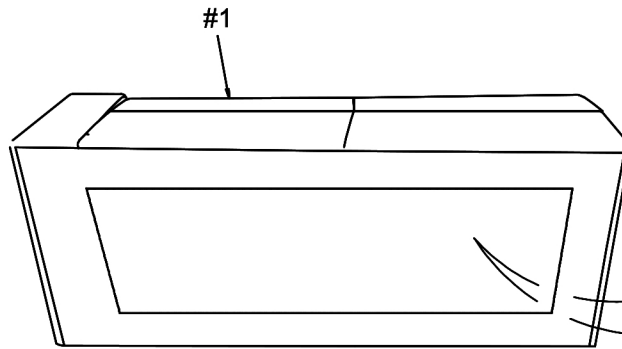


# ASSEMBLY INSTRUCTIONS

Lift velcro and remove parts from within hidden compartment underneath the Loveseat (#1).

## 1

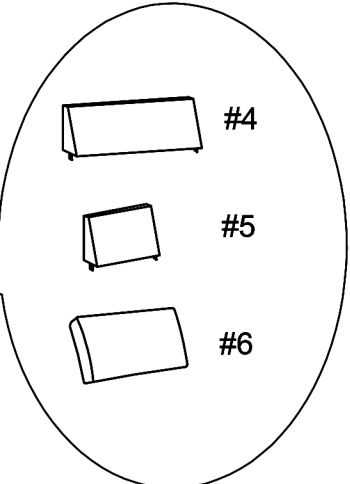
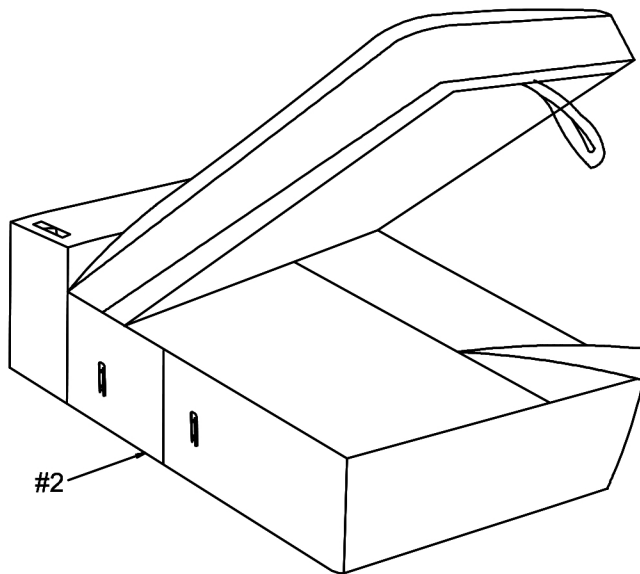
Part #1 x1pc



## 2

Part #2 x1pc

Remove parts stored inside of storage space of the Chaise (#2).



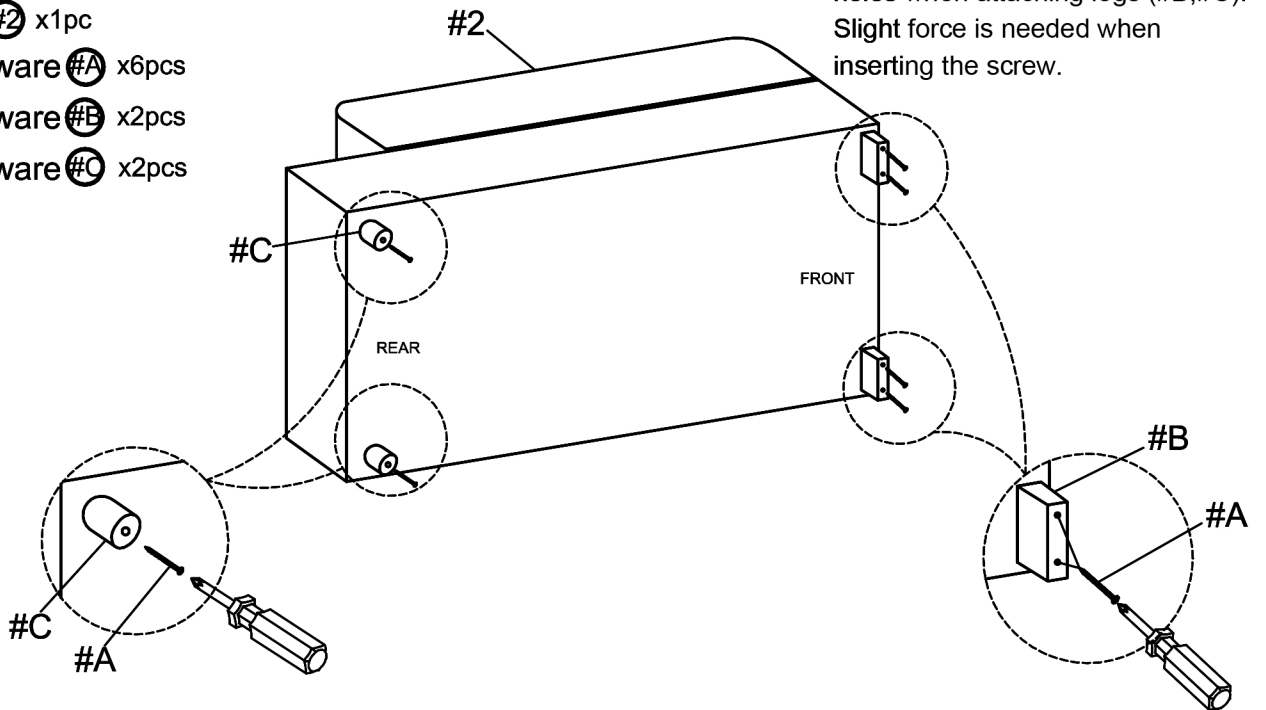
# ASSEMBLY INSTRUCTIONS

Slide fingers over velcro to feel for the wood. Align leg (#B,#C) to the corner of the Chaise (#2), as shown on the diagram. Secure by using screws (#A).

## 3

- Part #2 x1pc
- Hardware #A x6pcs
- Hardware #B x2pcs
- Hardware #C x2pcs

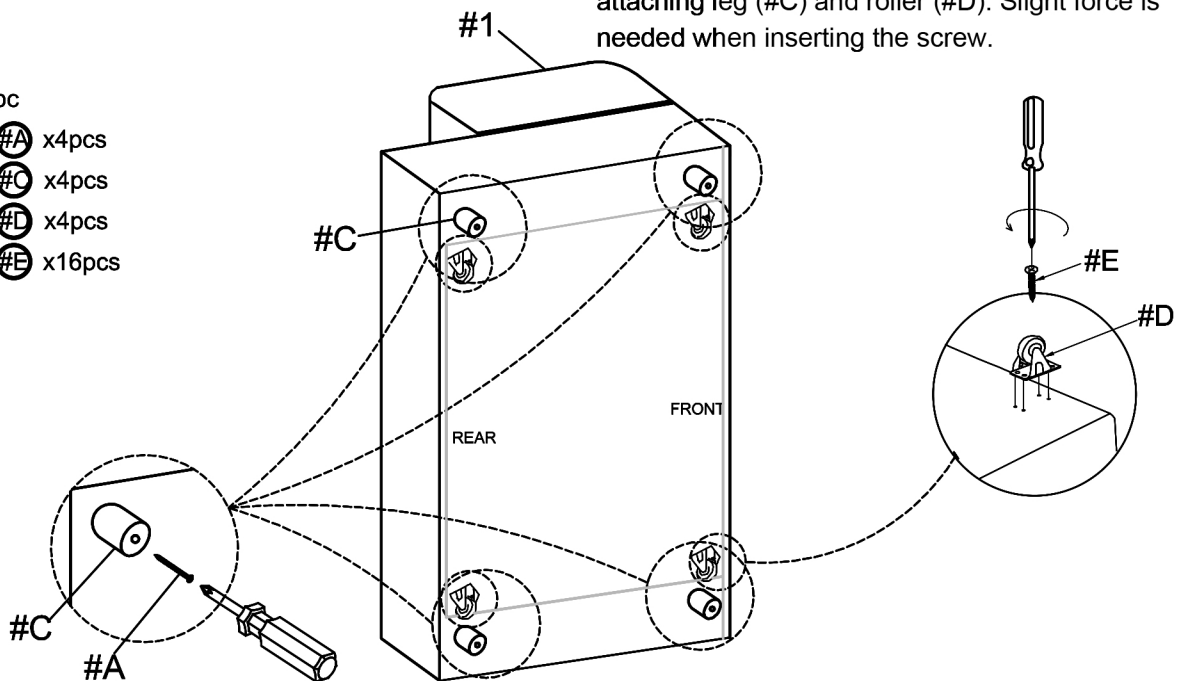
Note: There will be no pre-drilled holes when attaching legs (#B,#C). Slight force is needed when inserting the screw.



## 4

- Part #1 x1pc
- Hardware #A x4pcs
- Hardware #C x4pcs
- Hardware #D x4pcs
- Hardware #E x16pcs

Note: There will be no pre-drilled holes when attaching leg (#C) and roller (#D). Slight force is needed when inserting the screw.



Slide fingers over velcro to feel for the wood underneath the loveseat (#1) corners and align leg (#C) as shown in the diagram. Secure by using screws (#A). Slide fingers over velcro to feel for the wood underneath the pullout bed. Align rollers (#D) over wood and attach by using Screw (#E) as shown in the diagram.

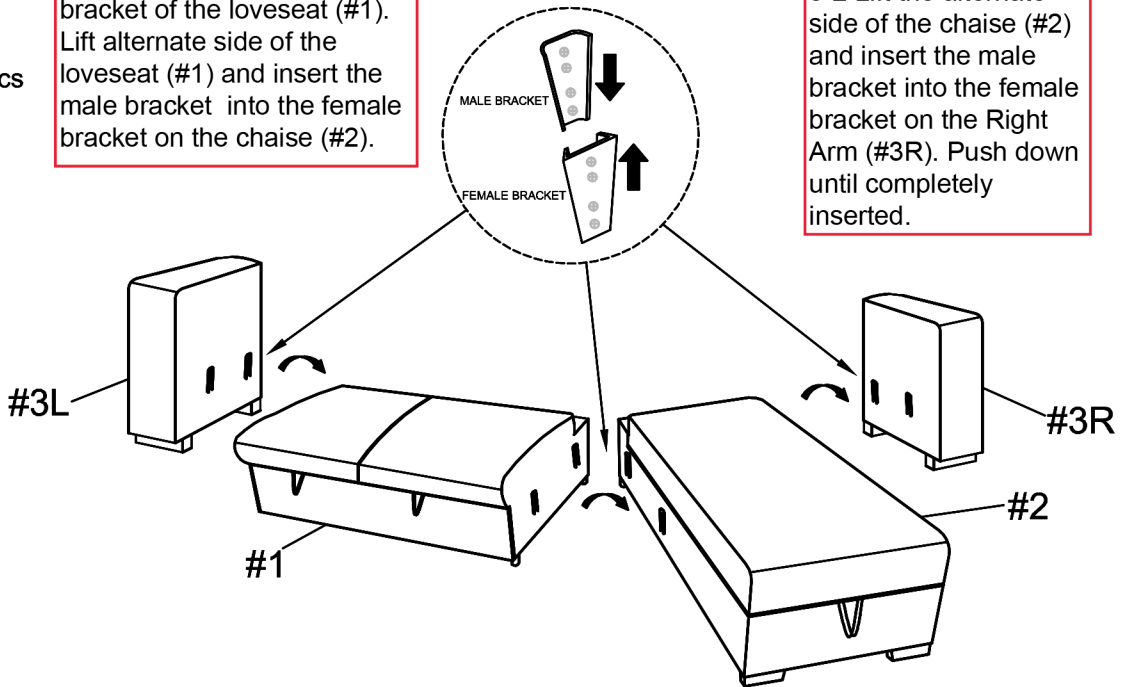
# ASSEMBLY INSTRUCTIONS

## 5

Part #3 x2pcs

5-1 Lift the Left Arm (#3L). Align and insert the male bracket into the female bracket of the loveseat (#1). Lift alternate side of the loveseat (#1) and insert the male bracket into the female bracket on the chaise (#2).

5-2 Lift the alternate side of the chaise (#2) and insert the male bracket into the female bracket on the Right Arm (#3R). Push down until completely inserted.

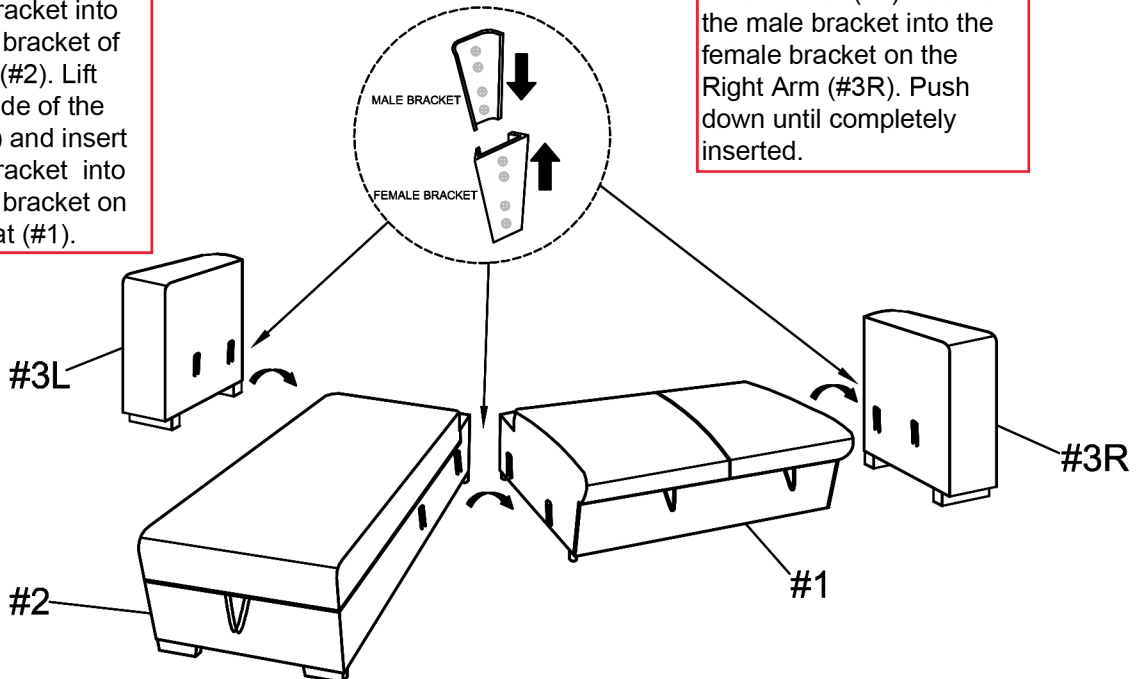


Chaise on the right side assembly

OR

5-1 Lift the Left Arm (#3L). Align and insert the male bracket into the female bracket of the chaise (#2). Lift alternate side of the chaise (#2) and insert the male bracket into the female bracket on the loveseat (#1).

5-2 Lift the alternate side of the loveseat (#1) and insert the male bracket into the female bracket on the Right Arm (#3R). Push down until completely inserted.



Chaise on the left side assembly

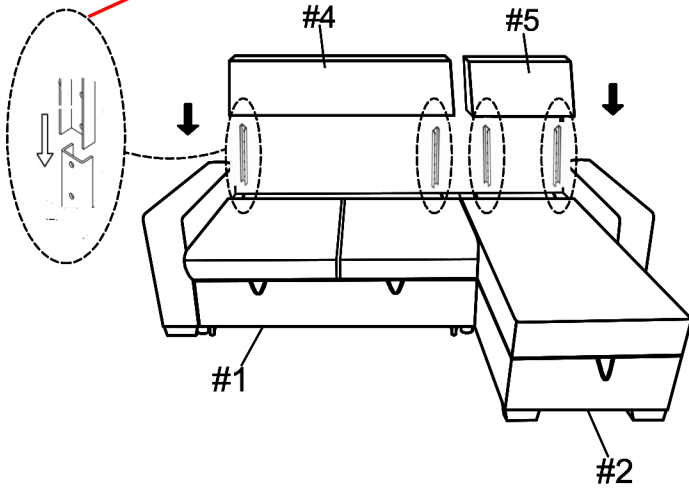
# ASSEMBLY INSTRUCTIONS

## 6

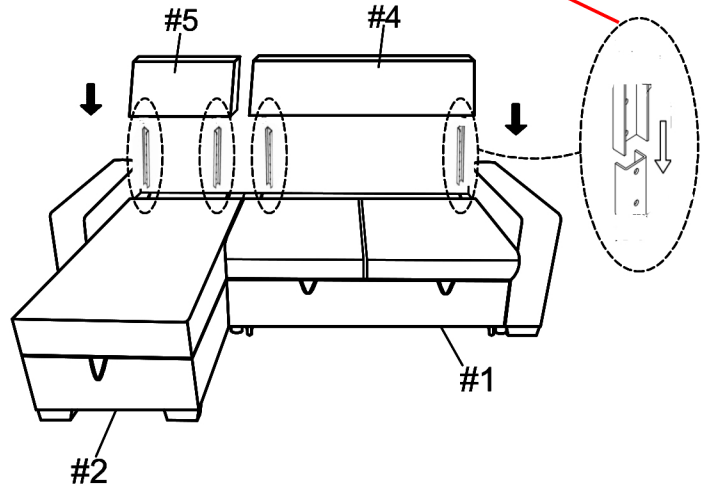
Part #4 x1pc  
 Part #5 x1pc  
 Hardware #F x4pc

Align and insert the male bracket on the long backrest (#4) to the female bracket on the loveseat (#1). Insert the male bracket on the short backrest (#5) to the female bracket on the chaise (#2).

Align and insert the male bracket on the short backrest (#5) to the female bracket on the chaise (#2). Insert the male bracket on the long backrest (#4) to the female bracket on the loveseat (#1).



Chaise on the right side assembly

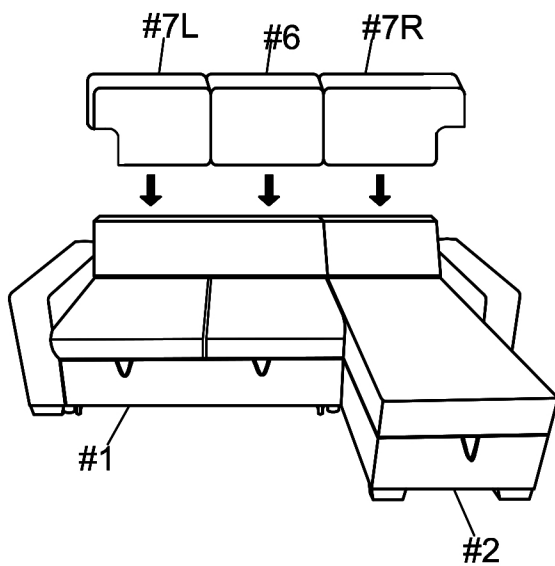


Chaise on the left side assembly

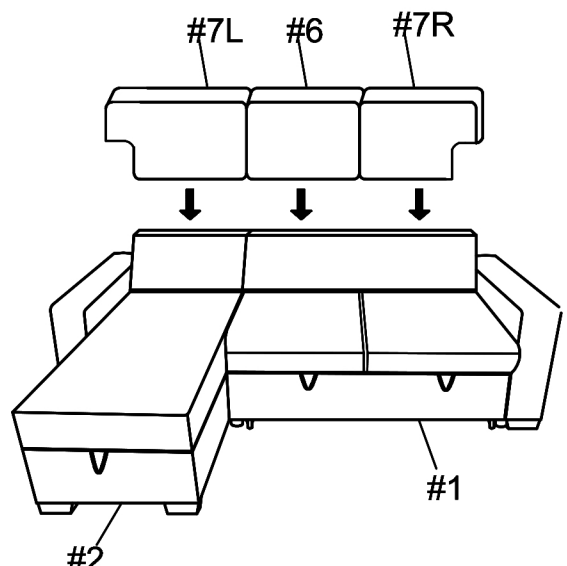
## 7

Part #6 x1pc  
 Part #7 x2pcs

Place cushions over the backrest like shown in the diagram.



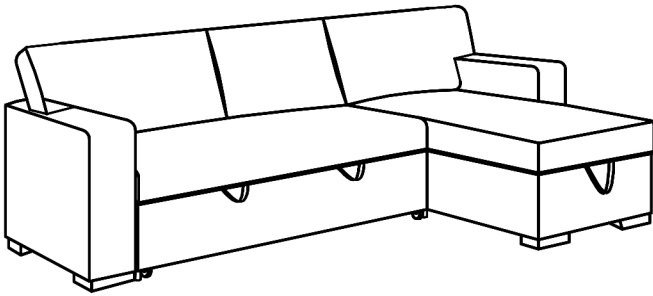
Chaise on the right side assembly



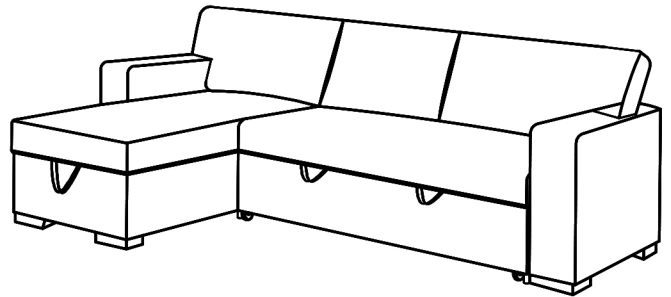
Chaise on the left side assembly

# ASSEMBLY INSTRUCTIONS

8

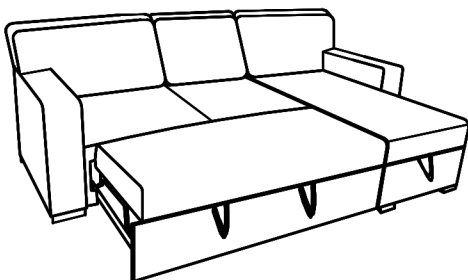
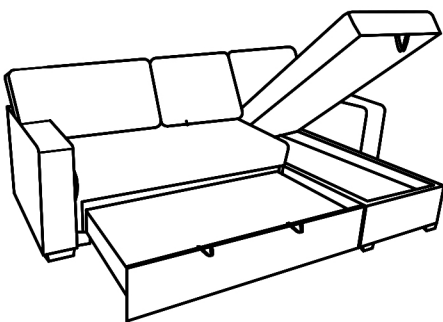


Chaise on the right side assembly

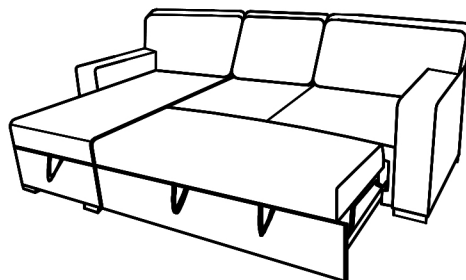
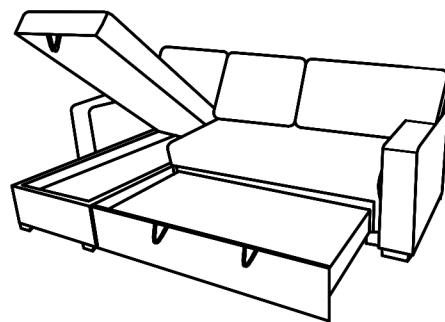


Chaise on the left side assembly

9



Chaise on the right side assembly



Chaise on the left side assembly

## ASSEMBLY COMPLETED



Please ensure the furniture rests on an even and flat surface. If the product wobbles or feels loose, double-check all bolts and/or screws are properly tightened and secured.

### Keep this handy!

Please retain this instruction manual and any order-related information for future reference.

### Lift, don't drag!

To avoid damage to product please always LIFT the product when transporting or adjusting the placement.