
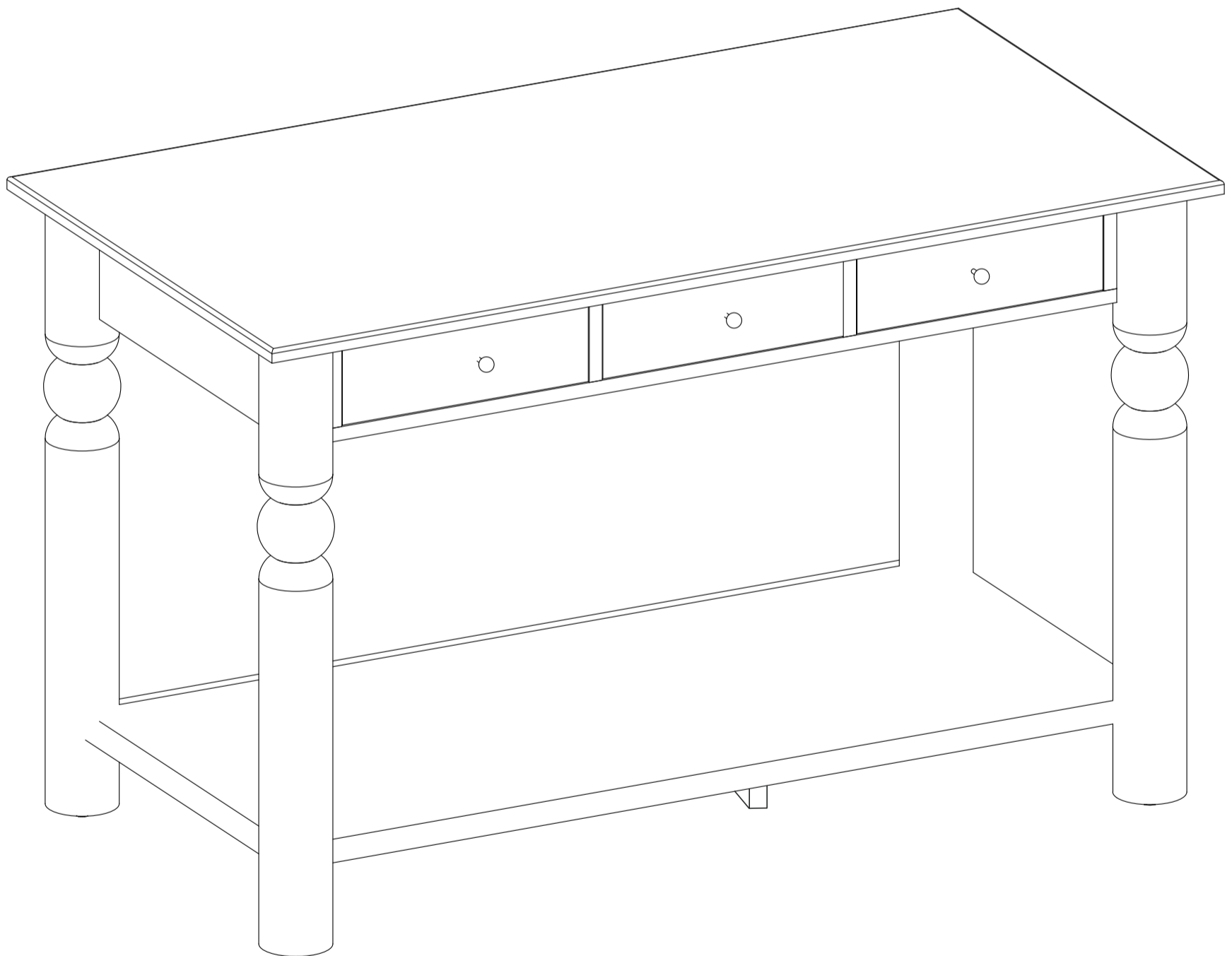


Assembly Instruction

Product Description: Kitchen Table

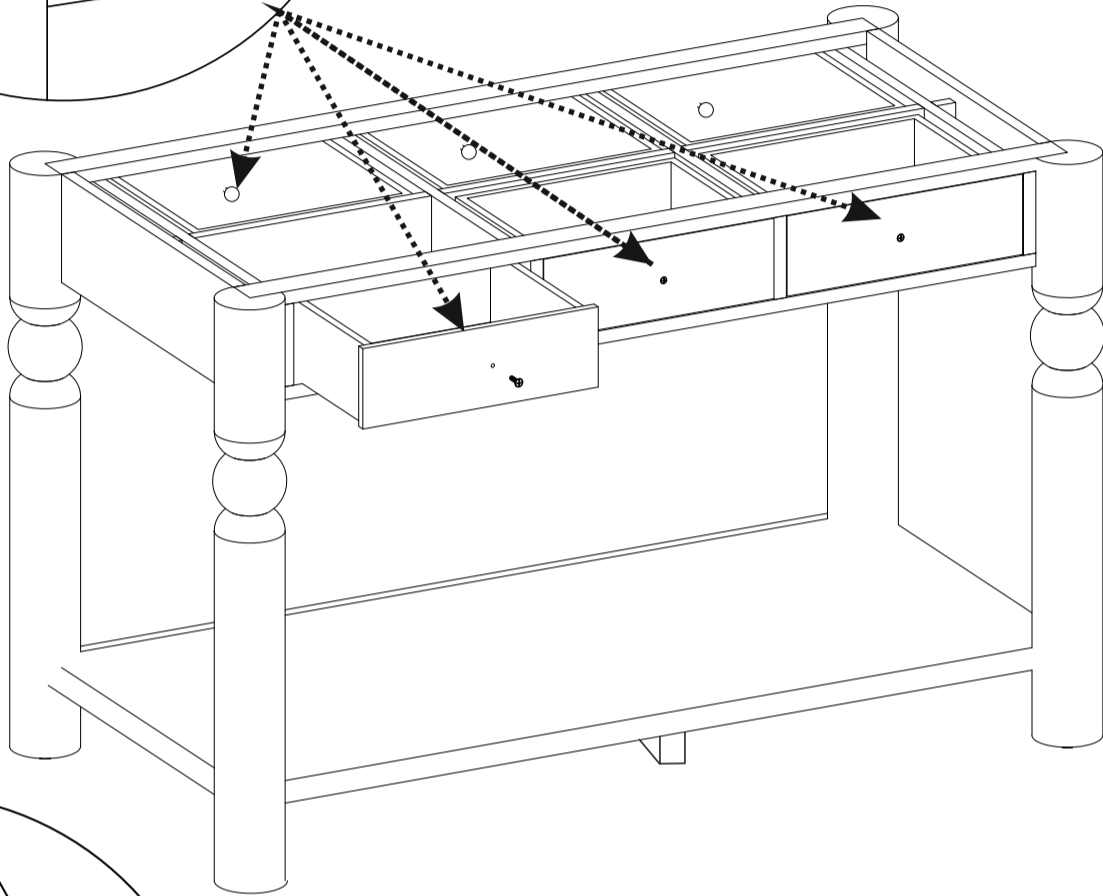
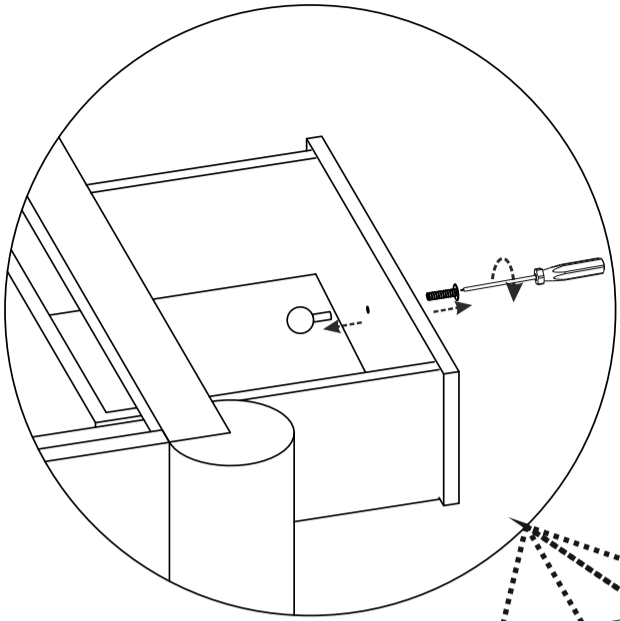
Hardware and Component List:

No.	Hardware/Component List	Quantity
1	 Screw Driver (Not Included)	

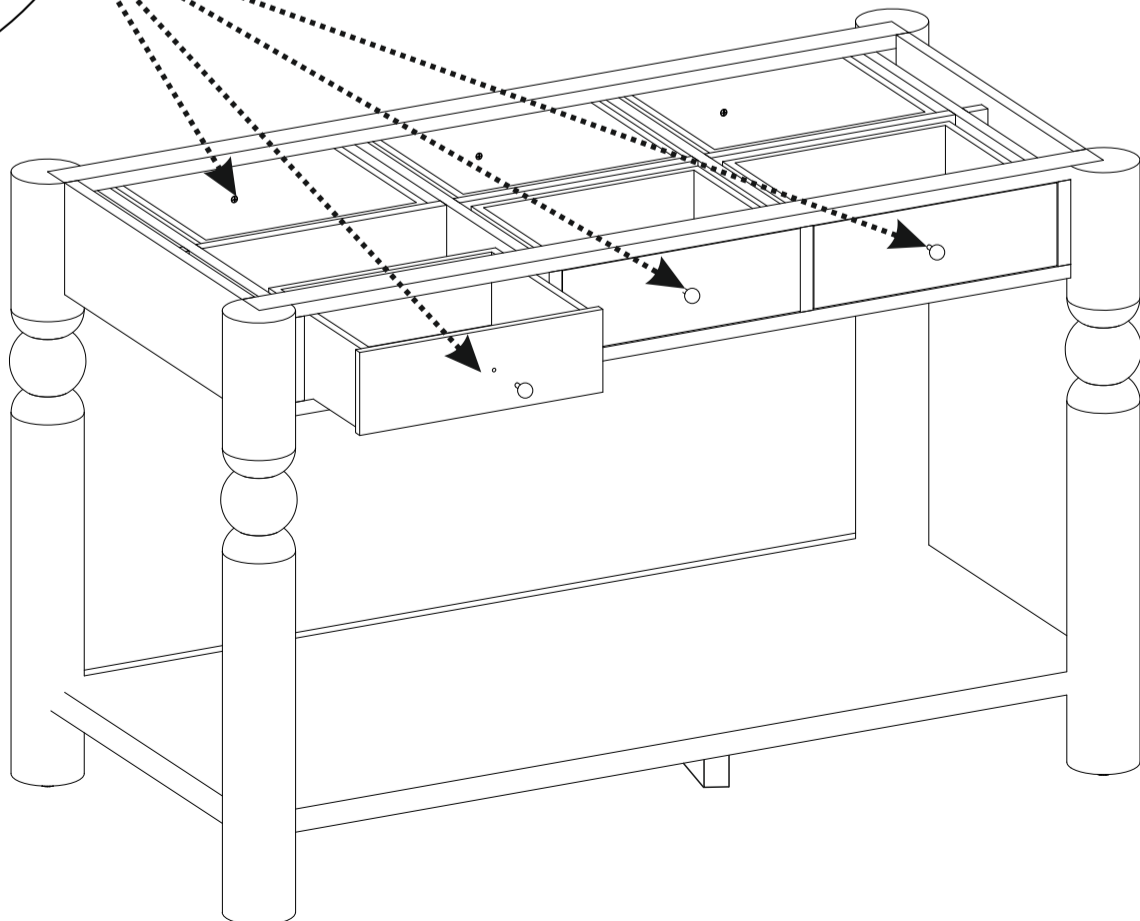
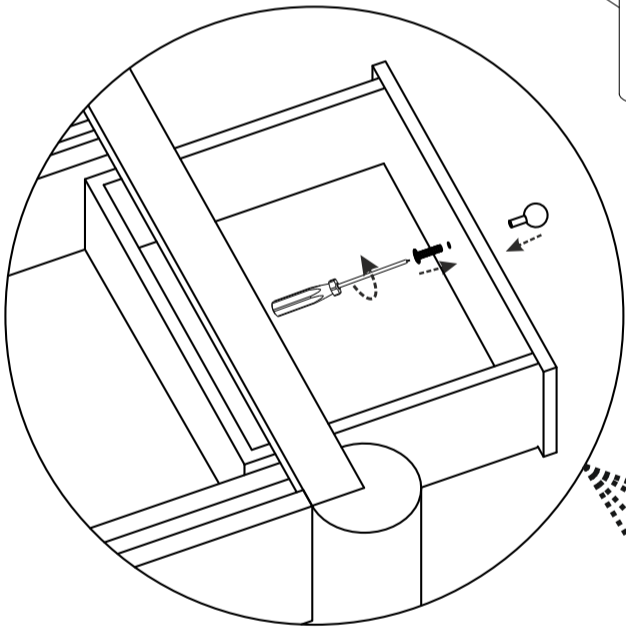


Assembly Instruction
Product Description: Kitchen Table

1



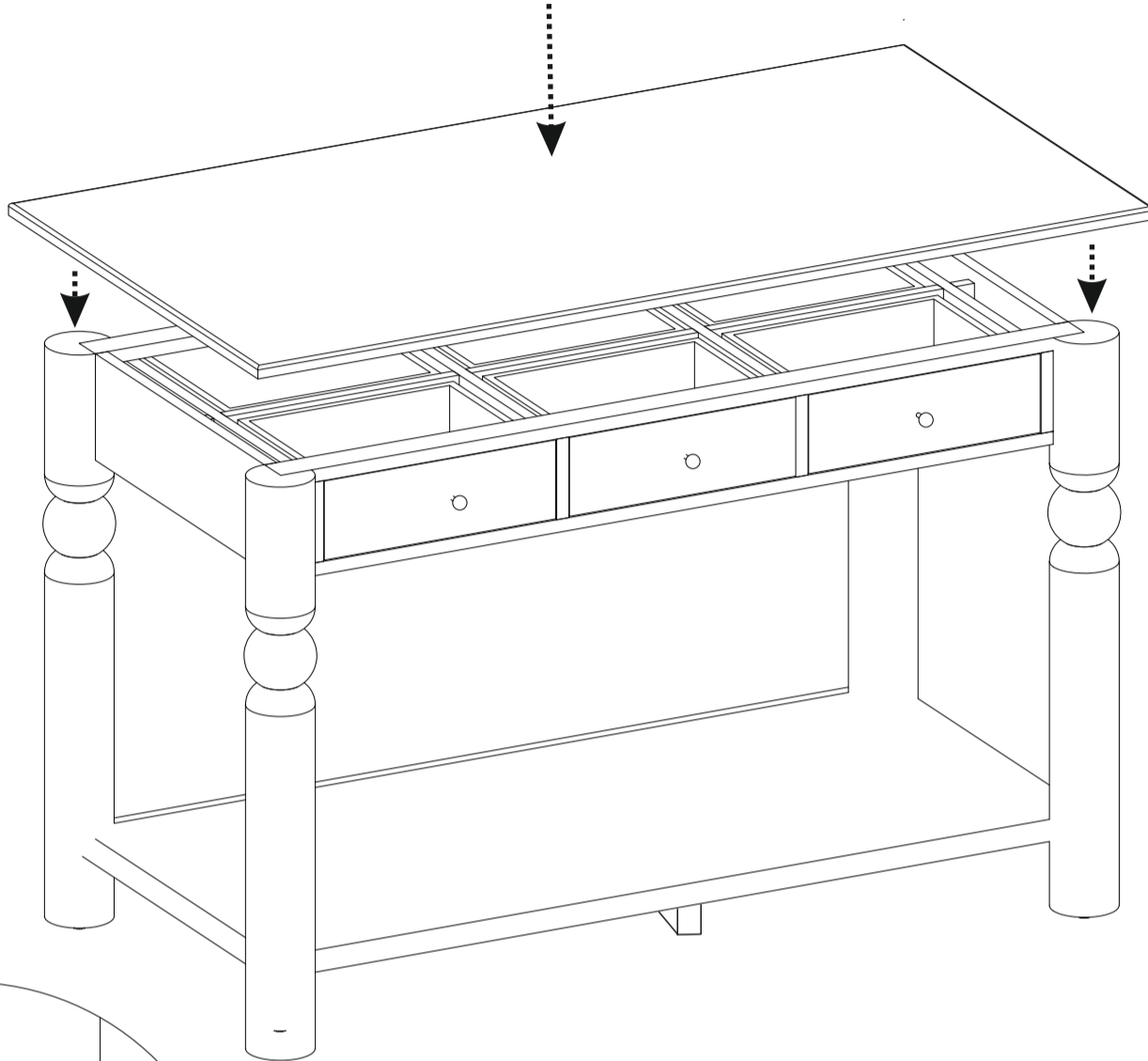
2



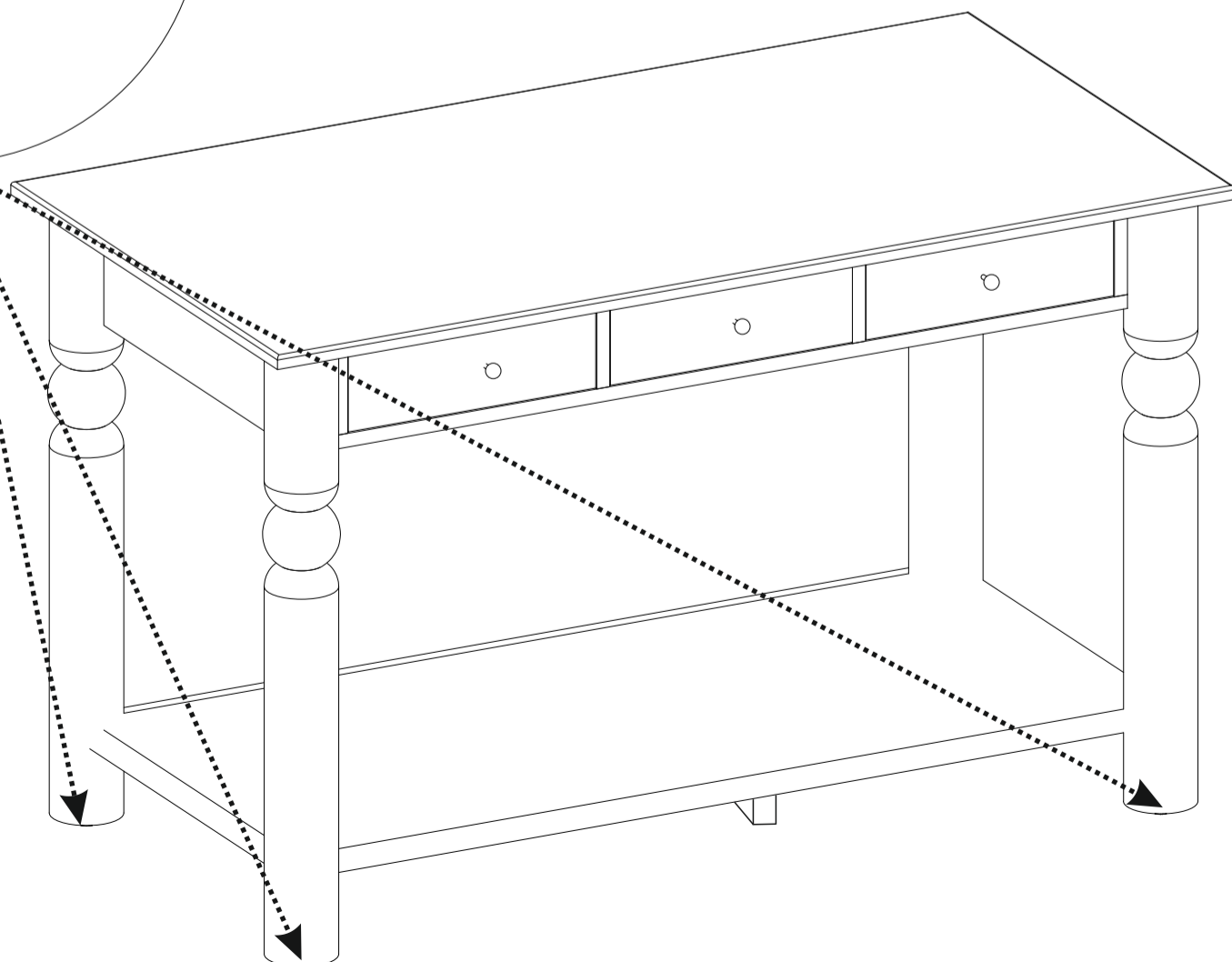
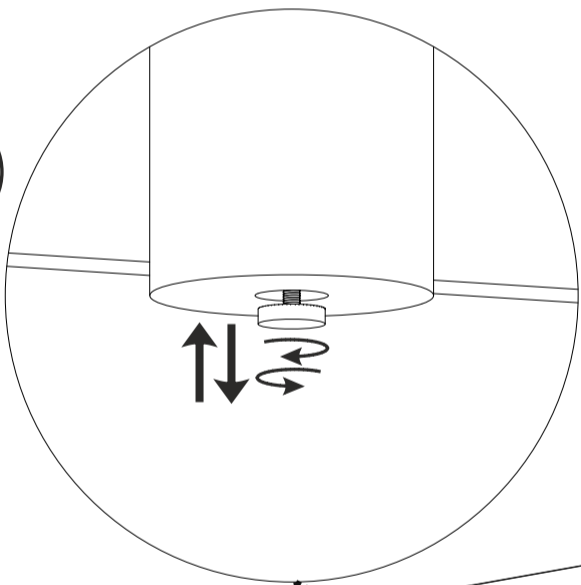
Assembly Instruction
Product Description: Kitchen Table

3

Level Adjustment - Use levelers to adjust the balance of the item



4



CAUTION : Please do not over tighten bolts / screw.