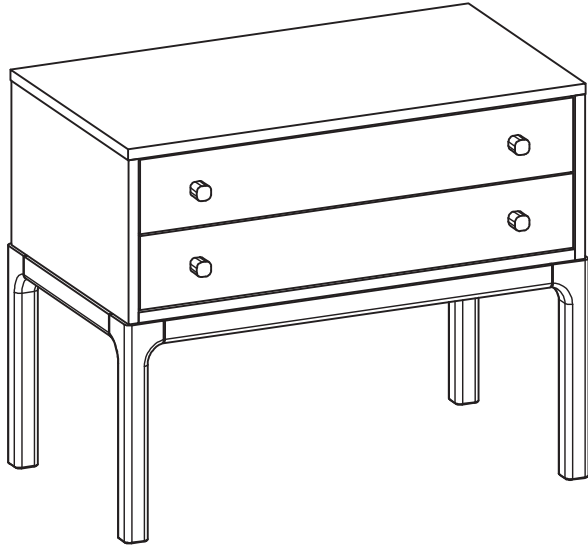







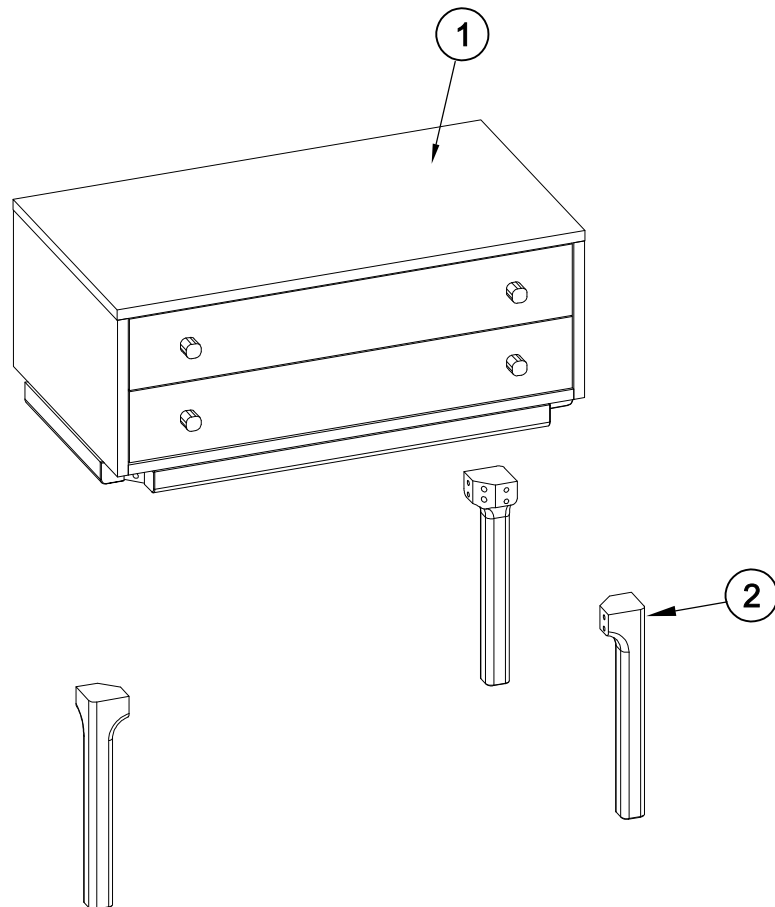
ASSEMBLY INSTRUCTION FOR

MODEL: Nightstand

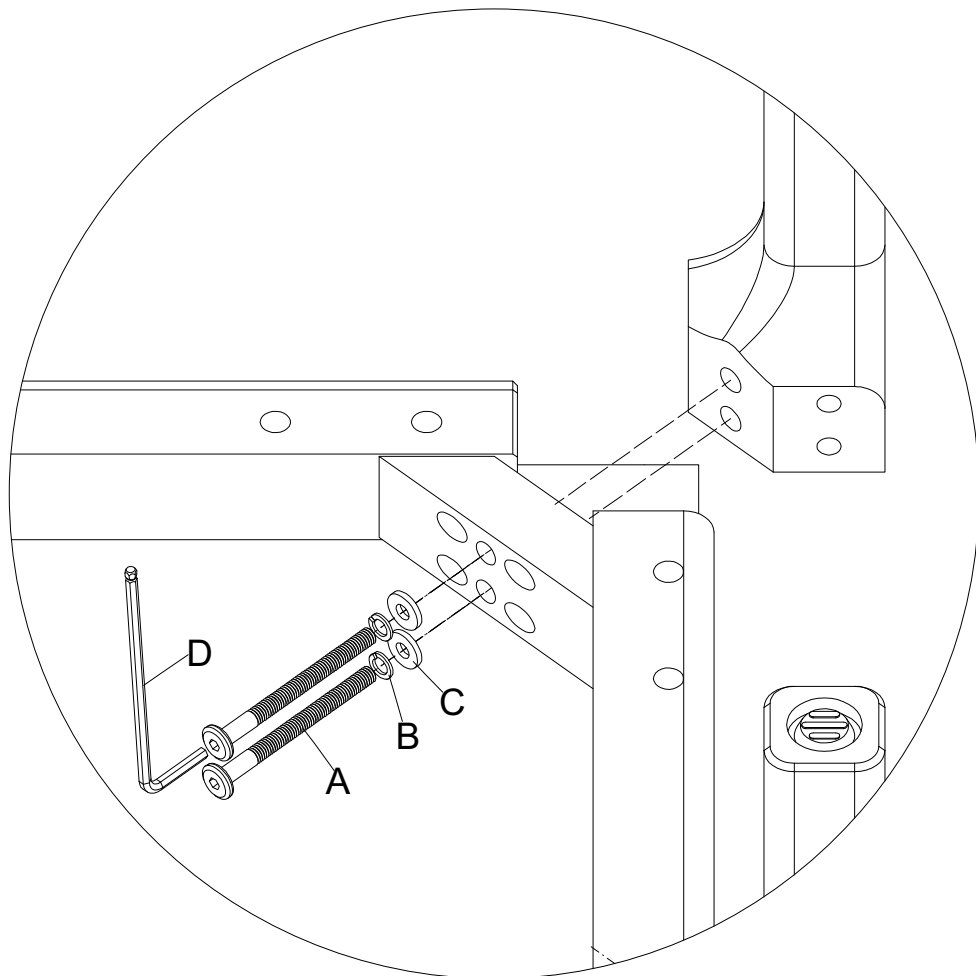
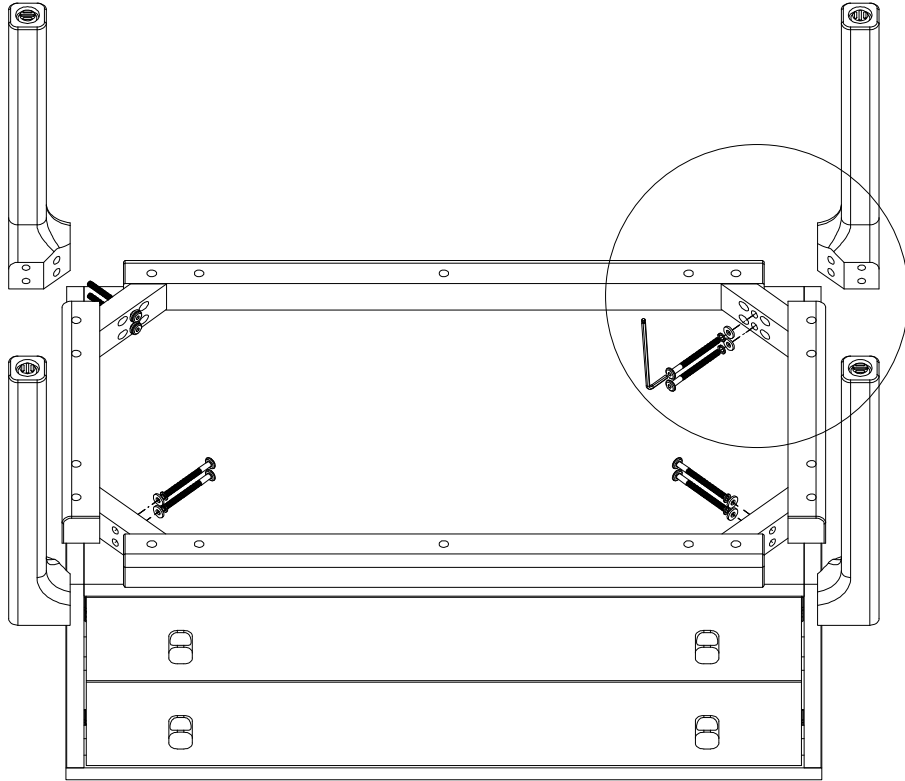


HARDWARE LIST

A		Bolt	M6x70mm	8
B		Curved washer	2x6x10mm	8
C		Flat washer	2x6x16mm	8
D		Allen key	M4x100mm	1
E		Tipping hardware		2

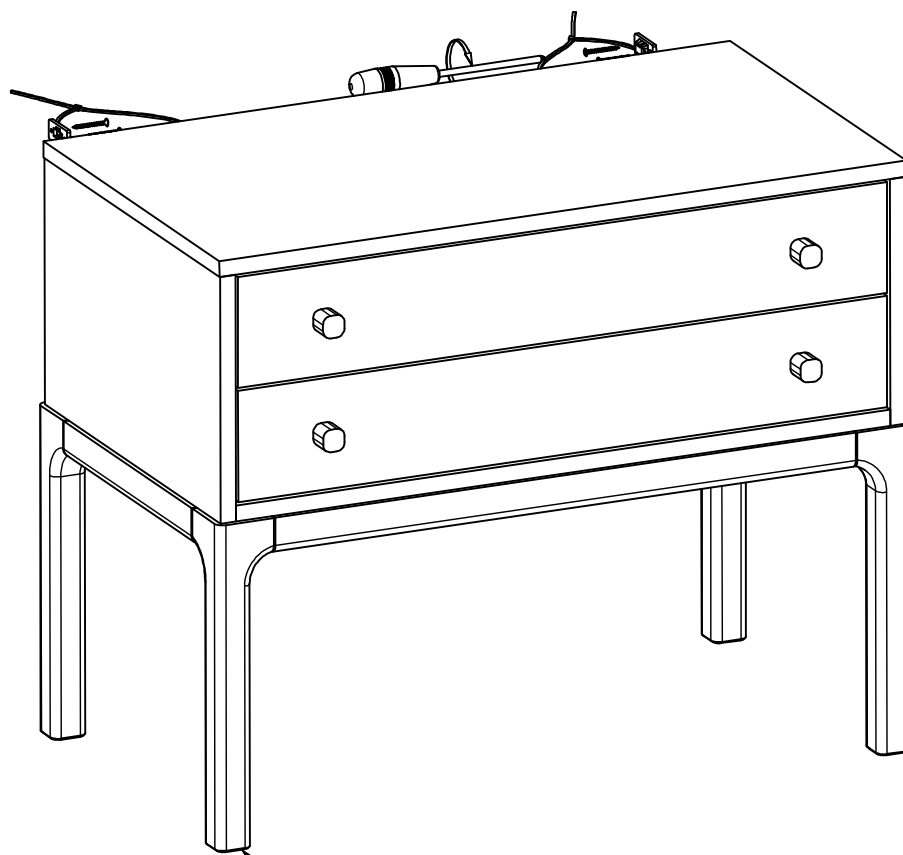
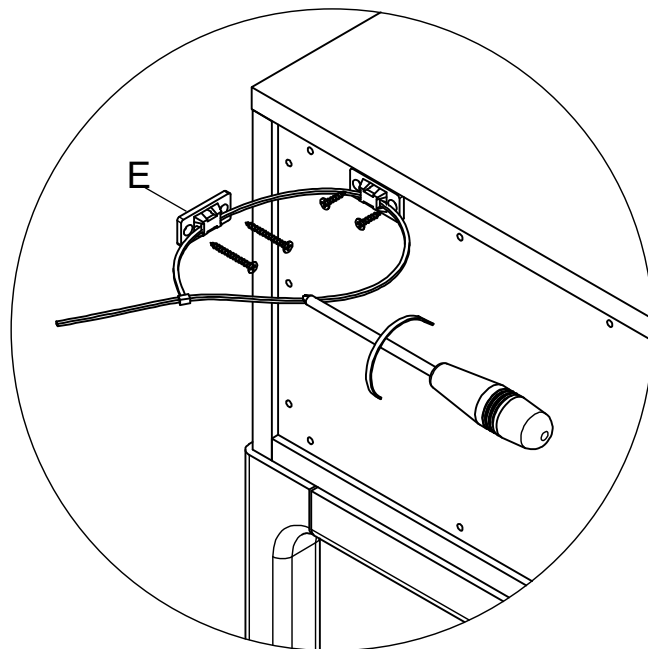


Step: 1



Step: 2

▼ **REMARK:** There is a tip restraint kit provided on the back of this product. Please read the direction thoroughly and install immediately.



Adjusting Floor Levelers

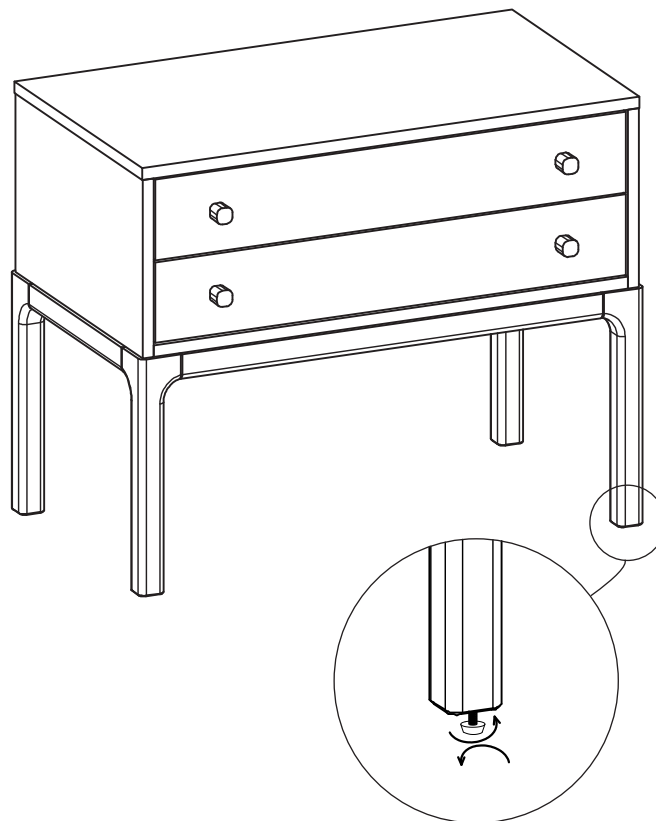
Your furniture has been expertly crafted and pre-adjusted by professionals. However, slight shifts can occur during transportation. If you notice that the doors are not perfectly aligned or the furniture wobbles, a quick adjustment can help ensure stability and a seamless look.

Adjust the Floor Levelers

Check for Stability – Place the furniture in its final position on a level surface. If it wobbles or doesn't sit evenly, the floor levelers need adjusting.

Locate the Levelers – These are small adjustable feet found at the bottom corners of your furniture.

Adjust as Needed – Using your hand or a wrench, turn the levelers clockwise to raise or counterclockwise to lower the furniture. Make small adjustments and check stability after each turn.



ADJUST LEVELER