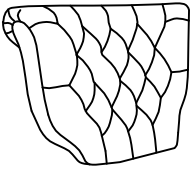
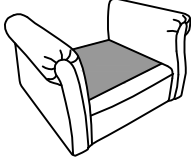
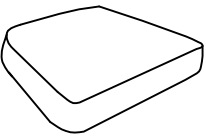
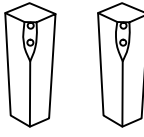
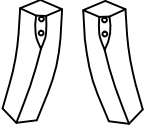
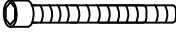





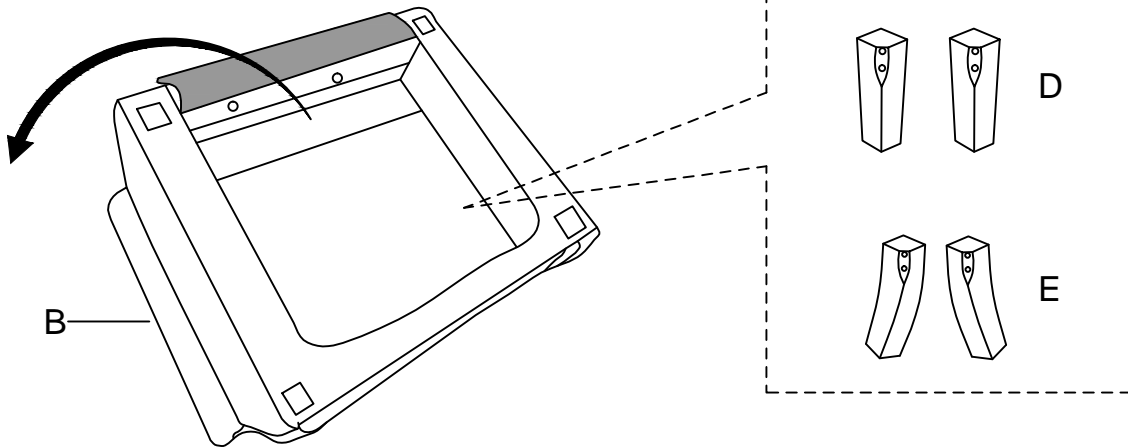
# ASSEMBLY INSTRUCTION

## PART LIST

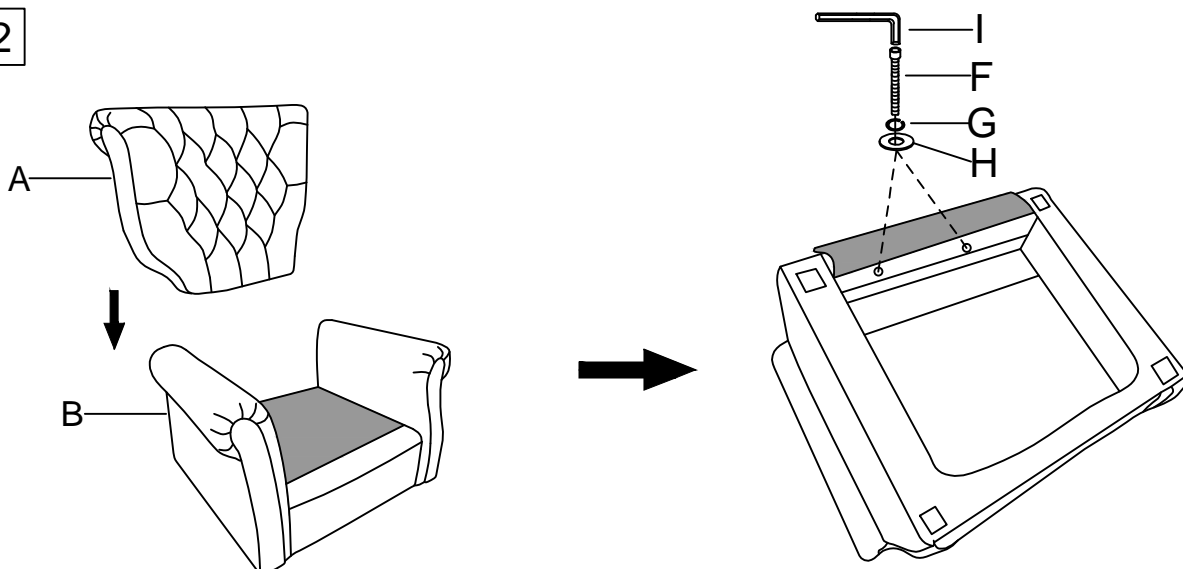
Ax1  back	Bx1  seat	Cx1  seat cushion	Dx2  front leg	Ex2  back leg
Fx10  M8X60mm bolt	Gx10  spring washer	Hx10  flat washer	Ix10  Allen Key	

## ASSEMBLY

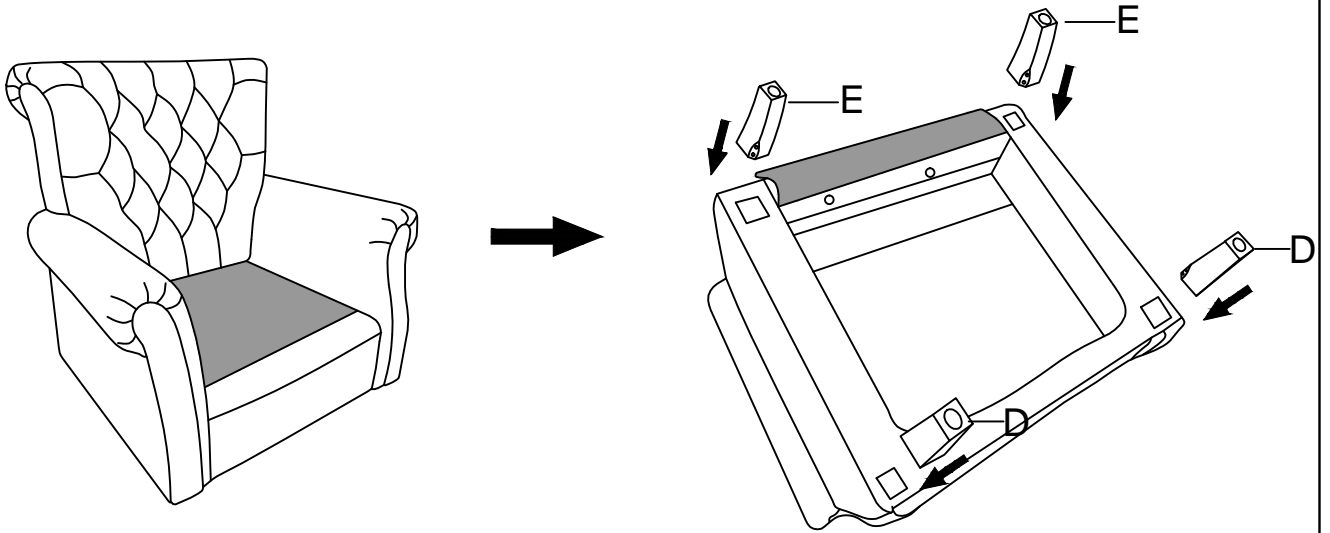
1



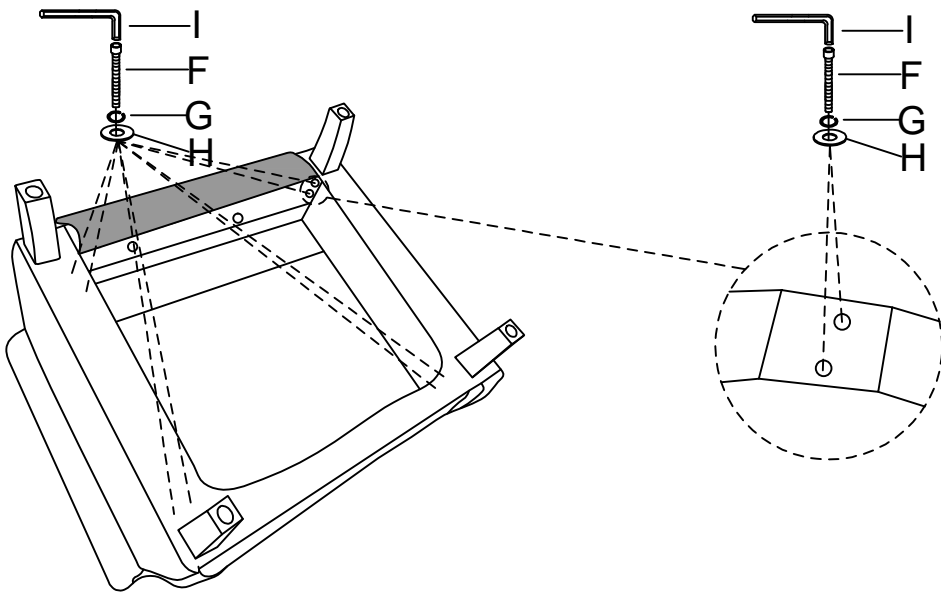
2



3



4



5

