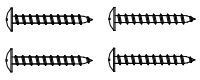
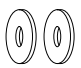
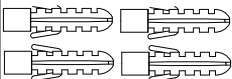
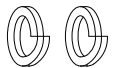
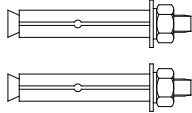

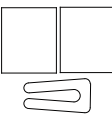
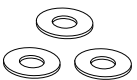
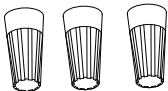
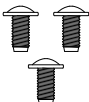
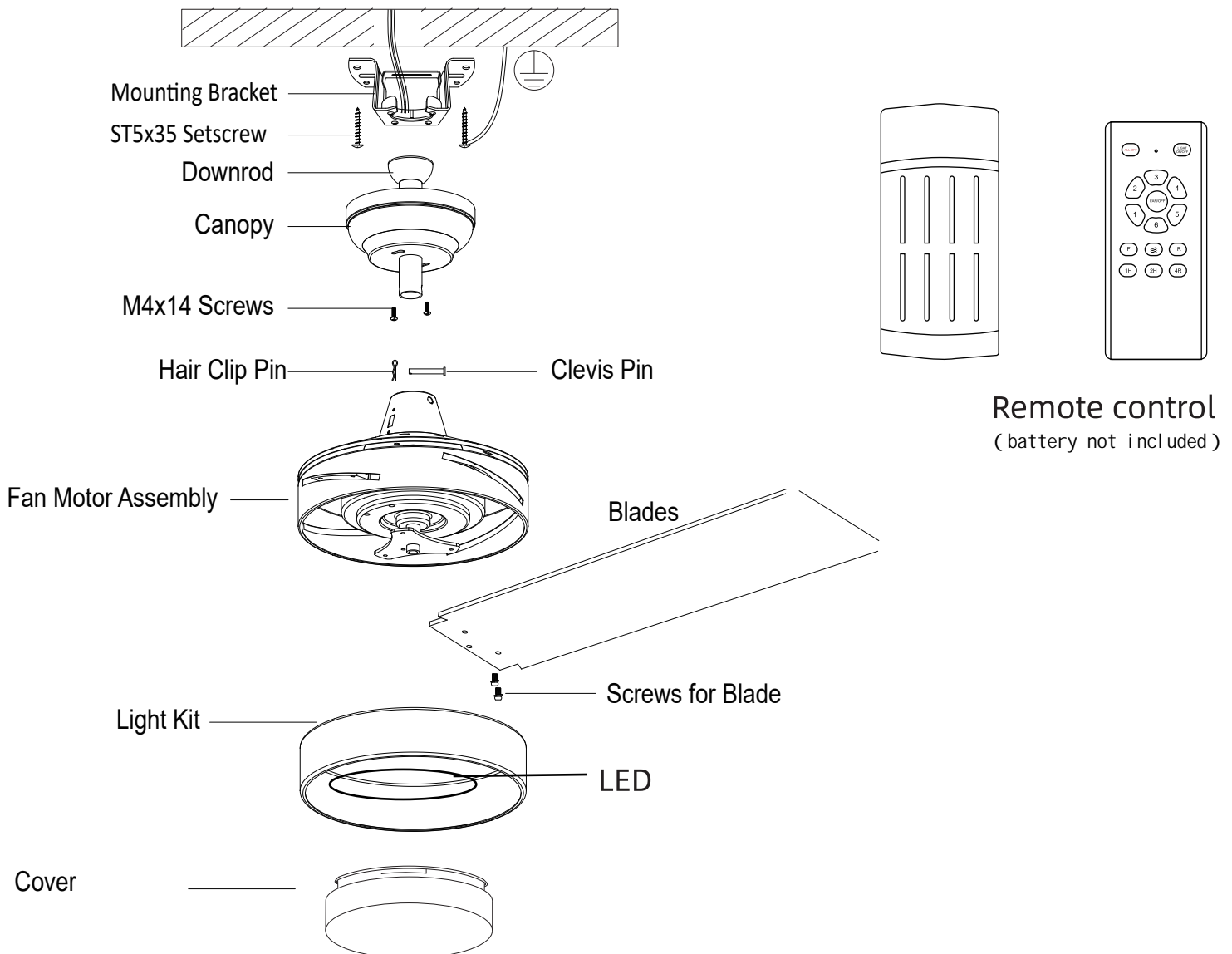
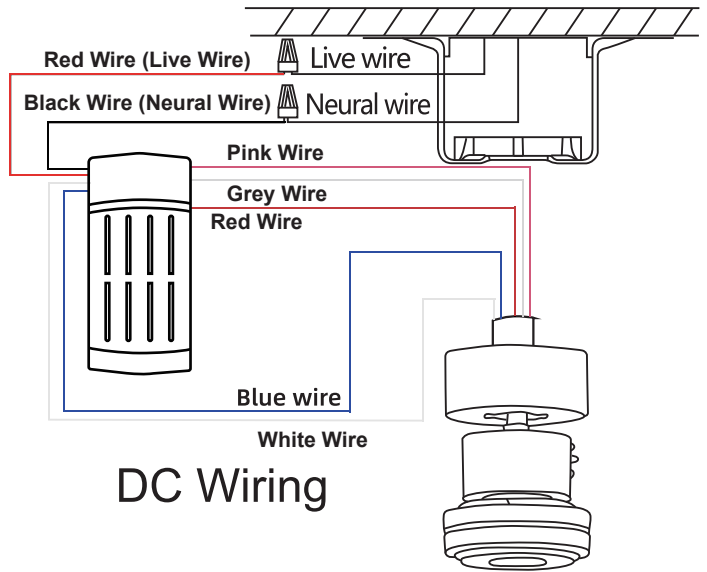


SCREWS BAG

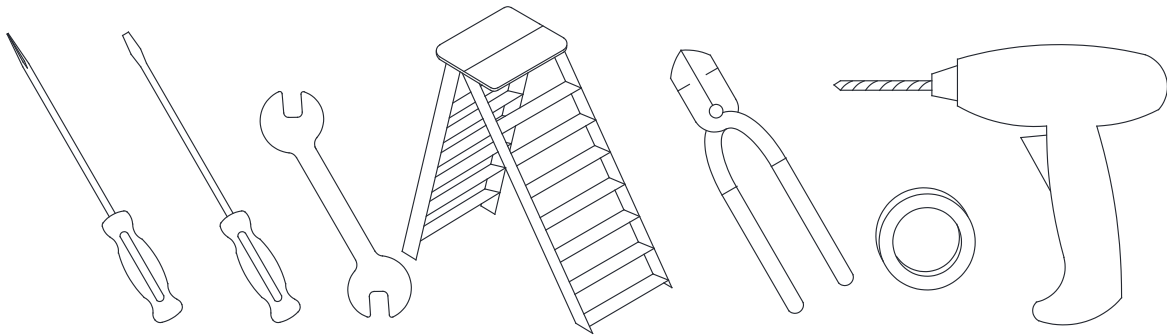
| Item no. | Reference Image | Qty. | Item no. | Reference Image | Qty. |
|----------|--------------------------------------------------------------------------------------------------------------|------|----------|--------------------------------------------------------------------------------------------------------------------|------|
| 1 |  <p>ST5x35 Setscrew</p> | ×4 | 5 |  <p>Screw Washer</p> | ×2 |
| 1 |  <p>Setscrew Stopper</p> | ×4 | 5 |  <p>Screw Spring Washer</p> | ×2 |
| 2 |  <p>Expansion Screw</p> | ×2 | 5 |  <p>#8-32 Setscrew</p> | ×2 |
| 3 |  <p>Balance Pack</p> | ×1 | 4 |  <p>Fabric Washer</p> | ×25 |
| 4 |  <p>Wire Cap</p> | ×3 | 4 |  <p>Screws for Blades</p> | X25 |

1 Pre-installation



2

TOOLS Needed

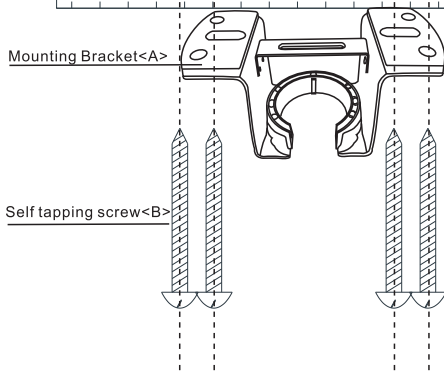


You may need the tools below:

- *Screwdrivers*
- *Wrench*
- *Ladder*
- *Wire Strippers*
- *Insulation Tape*
- *Power drill*

03) Installation of the hanging bracket(suspension part)

Wooden ceiling



For wooden ceiling, use wood screw to drill on the wooden beam or the "junction box" to fix the hanging bracket (selection is made according to actual requirements of the customers).

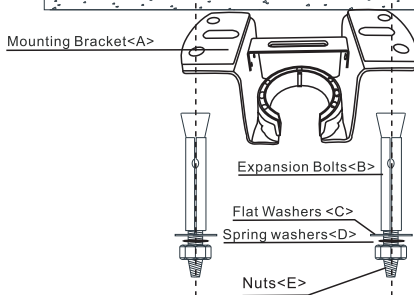
STEP 1A-WOODEN CEILING

SWITCH OFF THE ELECTRICAL MAINS AT THE CIRCUIT BREAKER FUSE BOX.

- 1) Use the Mounting Bracket (A) as a guide, mark the spots where the 4 Self Tapping Screws (B) will be drilled.
- 2) Remove the Mounting Bracket (A), drill 4 holes for 3MM diameter, install the mounting bracket onto wooden ceiling with the 4 Self Tapping Screws (B).

IMPORTANT : SCREWS MUST BE TIGHTENED TILL SNUG

CONCRETE CEILING



Note: According to the ceiling of different materials, use different screws to fix the hanging bracket. Don't fix the hanging bracket on the wood ceiling less than 12MM to prevent danger caused by loosening of screws. After the hanging bracket is completed, ensure that it can withstand the tension test of more than 68KG for safety.

For concrete ceiling, use the percussion bit with diameter 8mm to drill holes according to the length of expansion screws. Then use the attached expansion screws to fix the hanging bracket onto the ceiling (selection is made according to actual requirements of the customers).

STEP 2A-CONCRETE CEILING

SWITCH OFF THE ELECTRICAL MAINS AT THE CIRCUIT BREAKER FUSE BOX.

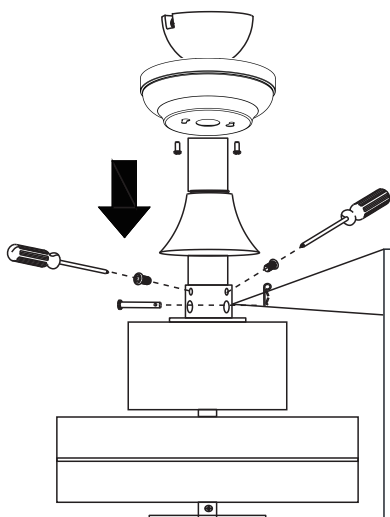
- 1) Use the Mounting Bracket (A) as a guide, mark the spots where the 4 Expansion Bolts (B) will be drilled.
- 2) Remove the Mounting Bracket (A), drill 4 holes and insert 4 Expansion Bolts (2) into the concrete ceiling, install the mounting bracket and secure with Flat Washers (C), Spring Washers (D) and Nuts (E).

IMPORTANT : SCREWS & NUTS MUST BE

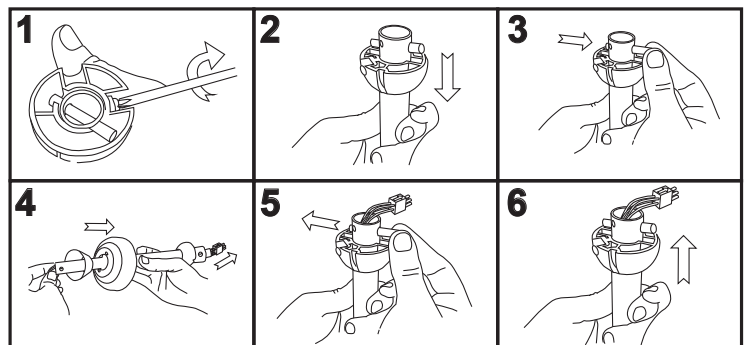
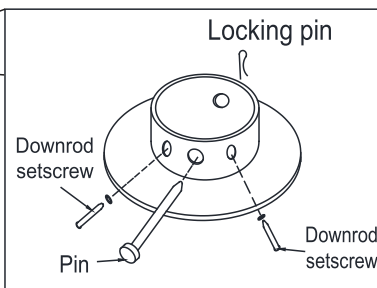
TIGHTENED TILL SNUG

04) Install the hanging part of the ceiling fan.

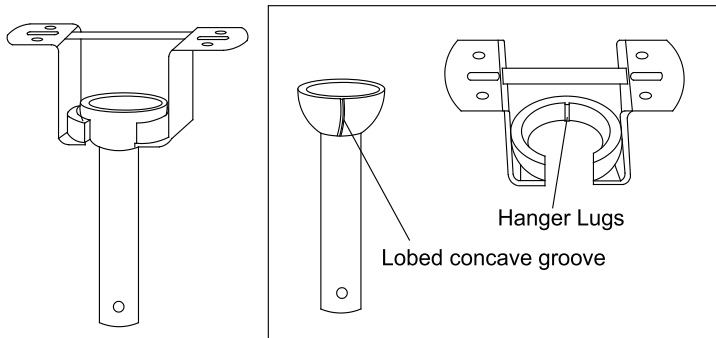
1.install downrod assembly



1. Thread the suspender through the suspended clock and coupling cover.
2. Then insert the tail of the suspender from the lifting head of the motor.
3. After the lateral pin is threaded out from the suspended head position, insert R type pin.
4. Tighten the lifting head screws.
5. Hang the fan of the hanging pipe into the hanger.



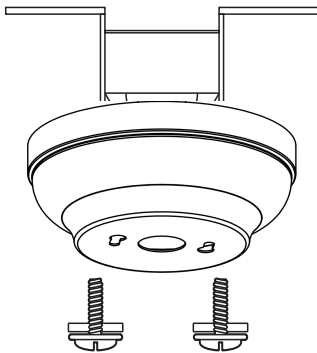
Mount Fan to Bracket



Lift the fan assembly onto the mounting bracket. Ensure the registration slot of the hanger ball is positioned on the stopper of the mounting bracket to prevent the fan from rotating when in operation.

Tips: Seek the help of another person to hold the stepladder and hang the fan body for you.

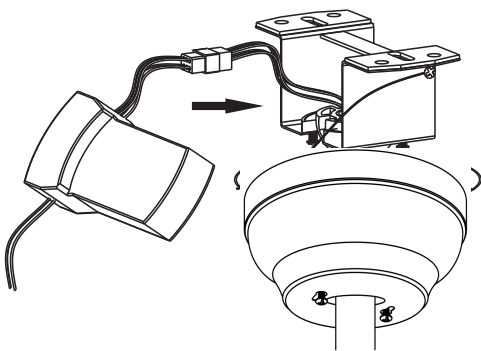
Preparing for mounting



1. Remove the mounting bracket from the canopy by loosening the two canopy screws located in the L shaped slots.

2. Remove and save the two canopy screws in the round holes. This will enable you to remove the mounting bracket

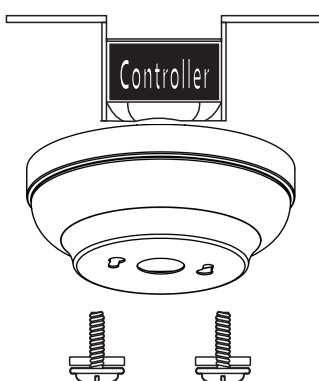
Install remote control



1. Carefully push the canopy to the bottom of the mounting bracket, make two sliding holes aligned to the two prominent screws on the mounting bracket, and then turn clockwise until tight.

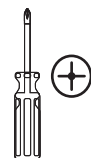
2. Push the canopy ring to the bottom of the canopy, slide the inner holes aligned to the two prominent screws on the mounting bracket again, and turn the canopy ring clockwise until tight.

Preparing for mounting



1. Remove the mounting bracket from the canopy by loosening the two canopy screws located in the L shaped slots.

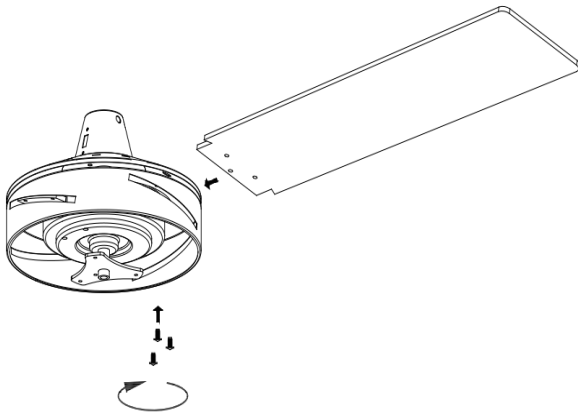
2. Remove and save the two canopy screws in the round holes. This will enable you to remove the mounting bracket



Phillips
screwdriver

06 Assembly – Attaching the Fan Blades

1. Fastening the blade to the motor



Insert a blade screw from the package through the blade hole and position it under the motor so that the screw is aligned with the "center" hole position of any group of screw holes.



Phillips
screwdriver

1. Fasten the Blade to the fan-motor assembly by inserting the alignment post into the slot on the bottom of the motor and tightening the pre-installed Blade screws.
2. Repeat this step for the remaining blade assemblies.

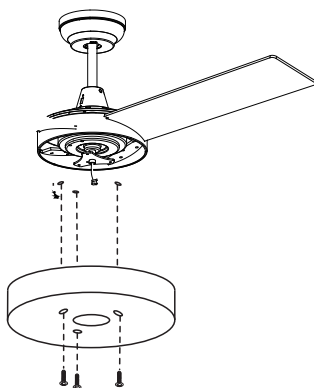
07 Assembly – Attaching the Lights

1. Install the lamp fitter



CAUTION: To reduce the risk of electric shock, disconnect the electrical circuit to the fan before installing the light fixture.

move three screws from the plate which on the motor. use these three screws assemble the light kit fitter.

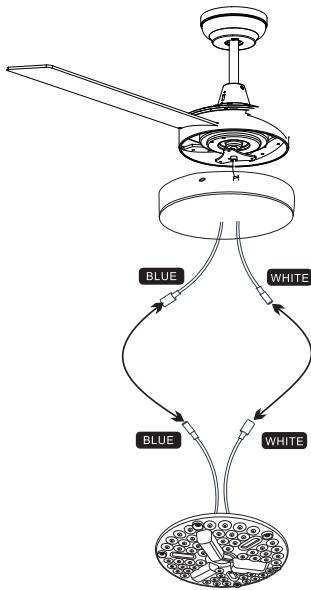


Phillips
screwdriver

2. Connecting lamp wire



CAUTION: To reduce the risk of electric shock, disconnect the electrical circuit to the fan before installing the light fixture.



1. Insert the "white" line in the switching box of the motor into the "white" line of the light and tie insulated rubber tape.
2. Insert the "blue" line in the switching box of the motor into the "blue" line of the light and tie insulated rubber tape.

3. Install the lamp cover



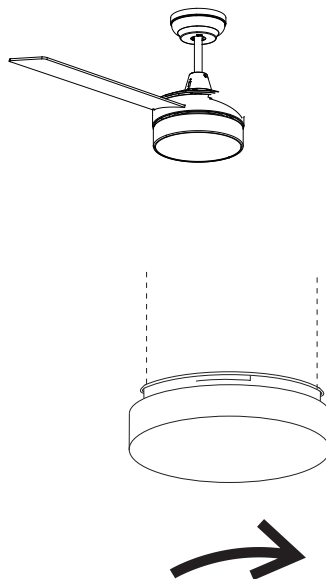
WARNING: Allow the shatter resistant bowl to cool completely before removing.



CAUTION: Make sure the power is off before attaching or removing the shatter resistant bowl.

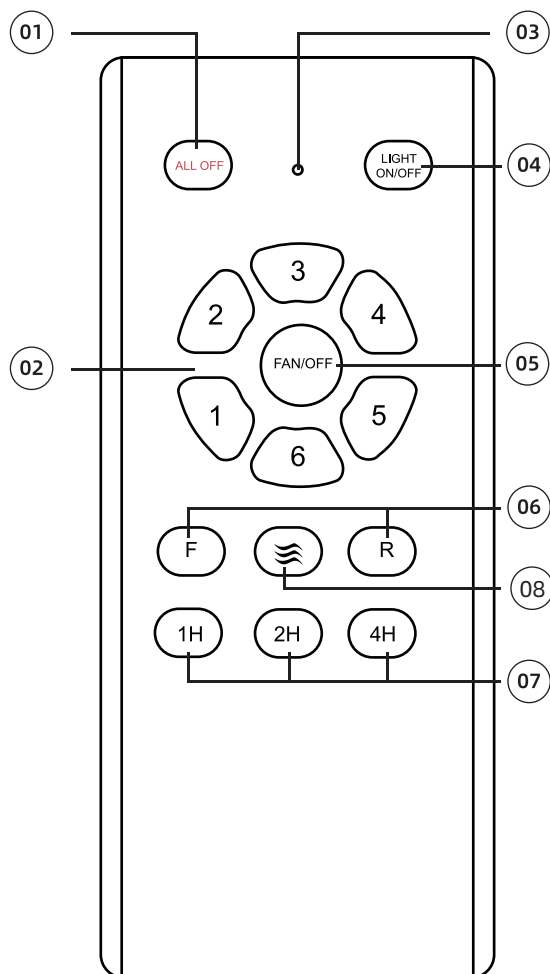


CAUTION: Do not over tighten the hex nut, overtightening the hex nut may cause the shatter resistant bowl to break.



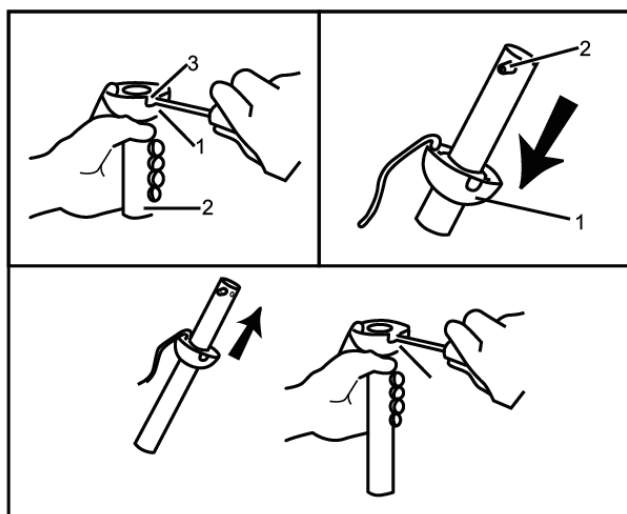
Install the lamp cover as shown

08 Function Instruction of Emitter



1. Turn off all Loads
2. Fan Speed Control
3. LED Indicator Light
4. Turn On the Light
5. Fan Off (Include Wind Speed and Lights)
6. Fan Forward and Counter Rotation Control
7. Fan Timing Control
8. Naturl Wind

09 Change Downrod (OPT)



The Ceiling Fan comes with 5inches and 10inches downrod which is preassembled and attached ti the hanger ball, one longer 10inches downrod is also included for higher ceilings. If you need a different downrod length, please follow these steps:

1. Loosen the hanger ball from ball from downrod by removing set screw.
2. Slide downrod ball off of downrod and remove pin
3. Re-install pin into extended downrod, and slide downrod ball up to the of the downrod
4. Re-install set screw to secure ball to downrod

10 Product problems you encountered

Dear buyer

Thank you for your support and choice

You have the opportunity to register your product for a 12 month warranty.

To register for warranty service, please contact our after-sales

email and enter the order number or provide a

screenshot, we will immediately register the information for your product and

activate the order number. From the date of purchase to the next 12 months,

if you encounter any product problems during the use of the product, you can

contact our after-sales mailbox, and we can replace and reissue new accessories

and new ceiling fans for free. This makes it easier for us to contact and register

product issues later. If you have any questions about the topics below, please

contact our after-sales team and provide your order number along with your

name, phone number and specific shipping address.

Product Problem:

* Ceiling fan Shaking:

1. Check whether the cam ball is tightened with screws
2. Check whether the lifting head screws are tightened
3. Check whether the three fan blades are evenly distributed
(see whether the gap between the fan blades is the same size)
4. Check whether there is a balance patch in the black package,
Can be used to adjust the balance of fan blades.

* Shade Damage/Blade Damage:

Please contact our after-sales team and send pictures or video feedback to check the damage of the product, please contact our after-sales team and provide your order number, your name, phone number and specific shipping address .Accessory issues: including screw kits, remotes, controllers missing or unavailable, please contact our after-sales team with your order number and your name, phone and specific shipping address.

*** Ceiling fan Wiring Problem:**

The local fire wire is the black wire that goes to the controller
The US local neutral wire is the red wire connected to the controller
The white and blue wires on the controller are connected to the white and blue wires on the motor. After the connection is successful, the light will be on. The pink-gray wire on the controller is the one that connects to the motor. After the connection is successful, the ceiling fan can work normally. Please check again and if you have any questions, please feel free to contact our after sales team with your order number.

*** Lamp Failure:**

First of all, you need to check whether the link line of the lamp is connected correctly. Please contact our after sales team with your order number and your name, phone number and specific shipping address.

*** Wrong Packaging Received:**

If you received the wrong ceiling fan, please check the order number for errors, if not, please contact our after-sales team and they will repair or replace your new ceiling fan.