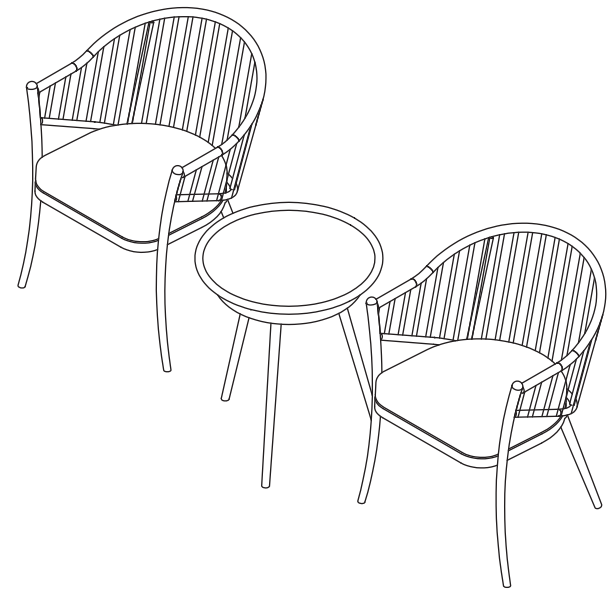




INSTRUCTION MANUAL



3-Piece Bistro Set



INTRODUCTION




Thanks for purchasing and trusting us with your home decorating plans.

We are committed to R&D innovation and to create the most refined, diverse choice of outdoor collection.


After unpacking and before every use, check whether the item shows any damages. In addition, check that you have all parts and hardwares before assembly. If there is any damage, please do not use and just call customer service or send an email to service. If you do not have all the parts lists, have your dealer contact us and they will be sent to you immediately. This furniture is intended for indoor and outdoor use. Please take time to read and follow the instruction below. Use the item as described in this operating manual. We accept no liability for damages caused by improper use.

CUSTOMER SERVICE



Thanks for purchasing this furniture. We are here to help you maximize your enjoyment and appreciation of it.

Please do not hesitate to contact our customer service when you have any question regarding assembly or accessories.

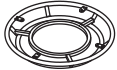
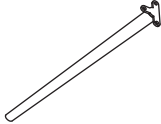






CARE AND MAINTENANCE

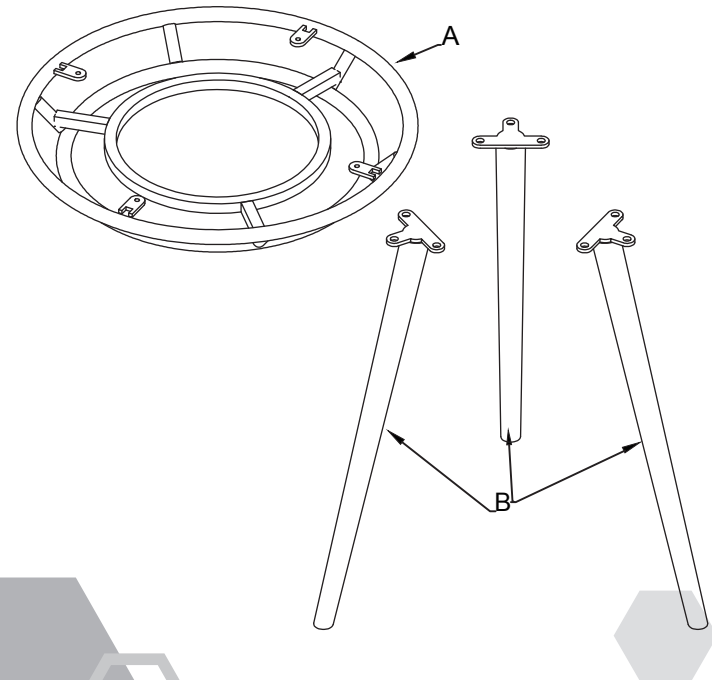
Follow the instruction for the material of your special product to make sure that it stays in the best shape for as long as possible. The information below is only intended as a general guideline. For more information, please contact us.

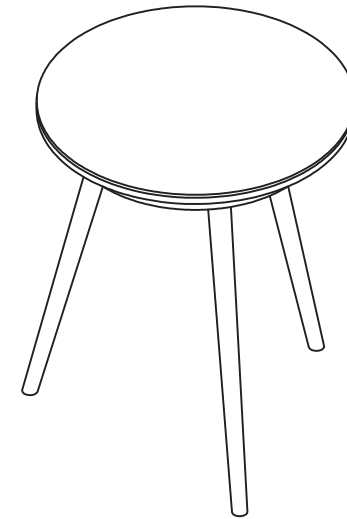
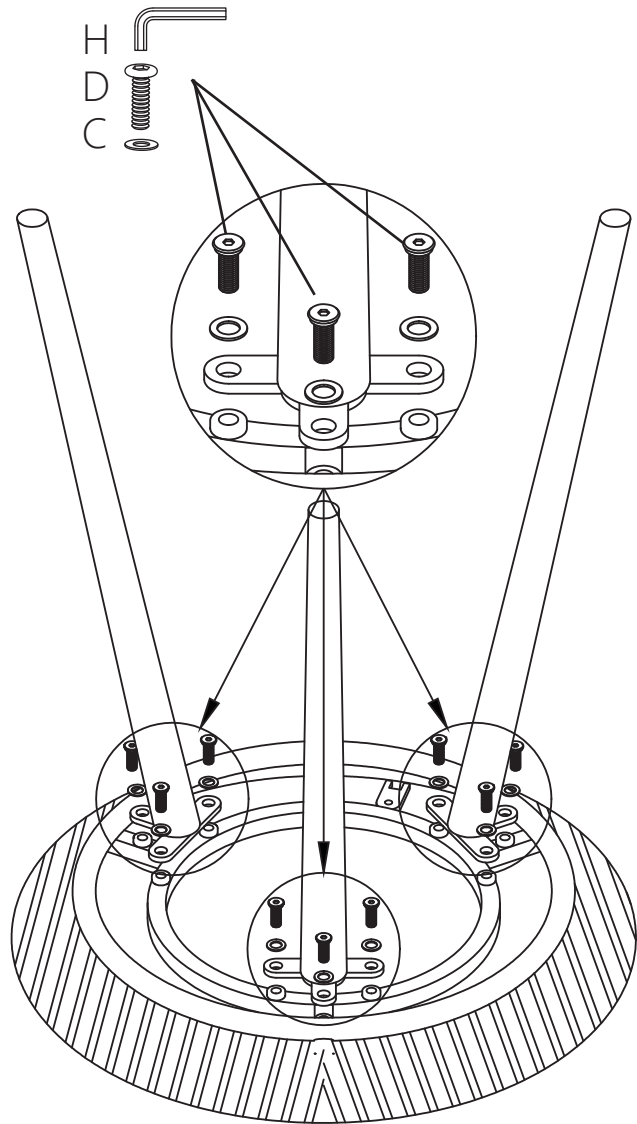
- Only need to rinse it thoroughly with clean water to wash away dirt and grime. Never use abrasive cleansers on the furniture, since it can attack the surfaces and leave behind scratch marks.
- For the stubborn grime and stains, just use a soft sponge and mild soapy water and then dry it with a cloth or paper towel.
- Check the stability of the screws, nuts and nut caps prior to each use. Tighten up them after one to two month's use whenever required.
- Avoid improper use, and be careful not to scratch or damage the surface with sharp objects.
- When you move your furniture, make sure you lift it rather than pulling or pushing it to avoid damaging the floor, legs and mounting.

PARTS

AX1 	BX3 	CX9 	DX9 
			HX1 

▲ NOTE: UNIT SHOULD BE ASSEMBLED BY TWO OR MORE PEOPLE.
DO NOT TIGHTEN ANY BOLTS UNTIL ALL BOLTS HAVE BEEN STARTED!





ASSEMBLY INSTRUCTIONS

Step1: Assemble 3 table legs(B) to the table top frame(A) with 9 washers (C) and 9 bolts(D) using wrench(H).

Step2: Secure and tighten all the components. Attached glass table top(G) on the table top frame(A).